



INSTALLATION INSTRUCTIONS FOR PART 99-8902

APPLICATIONS

SUBARU Impreza 2008-2009 Forester 2009

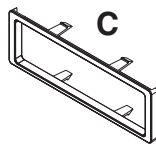
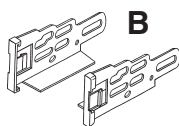
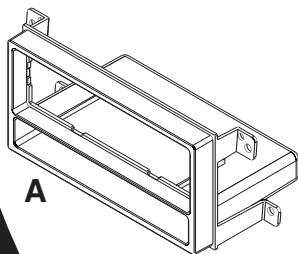
99-8902

KIT FEATURES

- DIN Radio Provision with Pocket
- ISO Mount Radio Provision with Pocket

KIT COMPONENTS

- A) Radio Housing • B) ISO Brackets • C) Trim Plate



WIRING AND ANTENNA CONNECTIONS (Sold Separately)

Wire harness:

- 70-7552 Nissan harness 2007-up
- 70-8901 Subaru harness 1990-up

Antenna adapter:

- 40-SB10 Subaru antenna adapter 2005-up

TOOLS REQUIRED:

Small Flat Blade Screwdriver/ Panel Removal Tool

- Phillips Screwdriver



1-800-221-0932



www.metraonline.com

© COPYRIGHT 2008-2009 METRA ELECTRONICS CORPORATION



TABLE OF CONTENTS

Dash Disassembly

- SUBARU Impreza 2008-20091
- SUBARU Forester 20091

Kit Assembly

- DIN Radio Provision with Pocket2
- ISO Mount Radio Provision with Pocket3

Final Assembly 4

***Note:**

Refer also to the instructions included with the aftermarket radio.



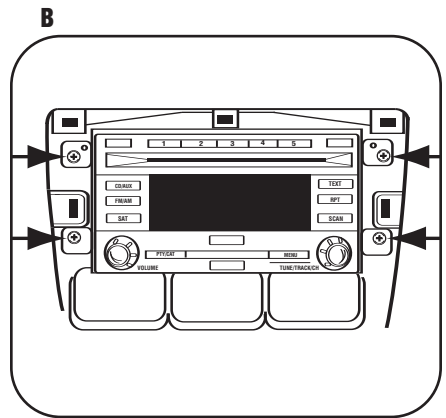
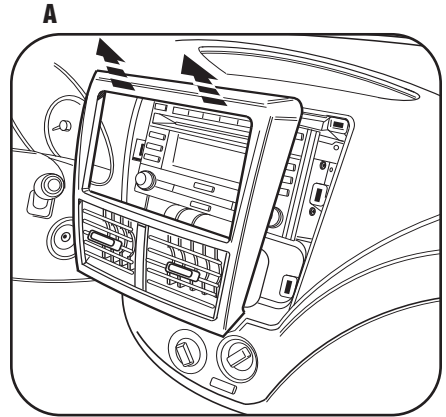
KNOWLEDGE IS POWER

Enhance your installation and fabrication skills by enrolling in the most recognized and respected mobile electronics school in our industry. Log onto www.installerinstitute.com or call 800-354-6782 for more information and take steps toward a better tomorrow.

SUBARU IMPREZA 2008-2009/FORESTER 2009

- 1** Disconnect the negative battery terminal to prevent an accidental short circuit.
- 2** Unclip and remove the trim panel surrounding the factory radio including the a/c vents. (Figure A)
- 3** Remove (4) Phillips screws securing the radio. Unplug and remove the radio. (Figure B)

Continue to kit assembly.



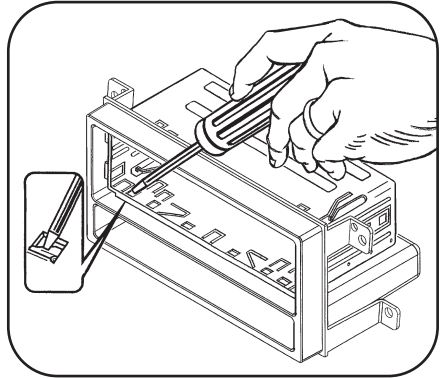
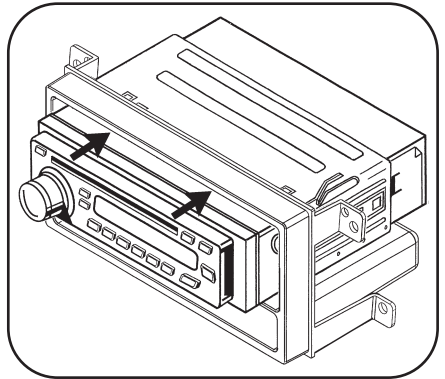
DIN RADIO PROVISION WITH POCKET

**Note: Refer also to the instructions included with the aftermarket radio.*

- 1 Slide the DIN cage into the Radio Housing and secure by bending the metal locking tabs outward. (Figure A)

- 2 Slide the aftermarket radio into the cage until it snaps into place. (Figure B)

Continue to final assembly.

A

B


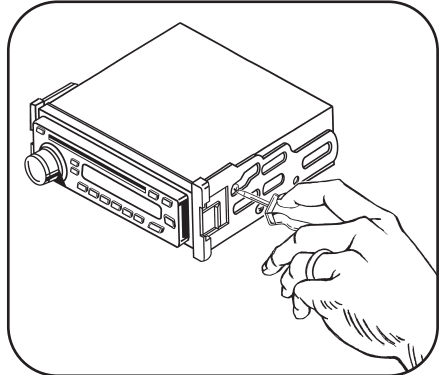
ISO MOUNT RADIO PROVISION WITH POCKET

**Note: Refer also to the instructions included with the aftermarket radio.*

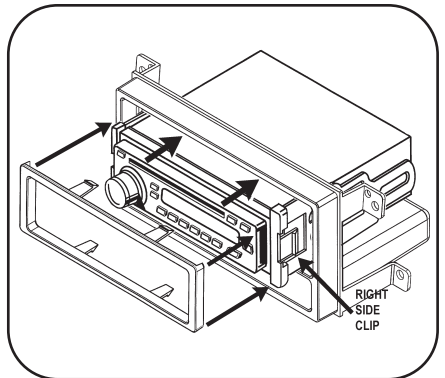
- 1 Mount the ISO Brackets to the radio using the screws supplied with the radio. (Figure A)
- 2 Slide the radio into the radio housing until it snaps into place. (Figure B)
- 3 Snap the Trim plate onto the front of the Radio Housing. (Figure B)

Continue to final assembly.

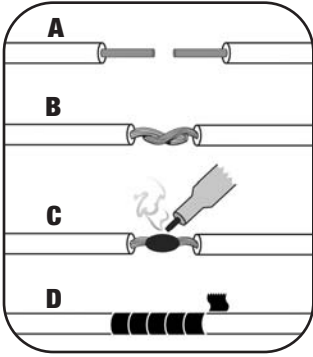
A



B



FINAL ASSEMBLY



(A) Strip wire ends back 1/2"

B) Twist ends together

C) Solder

D) Tape

- 1 Locate the factory wiring harness in the dash. Metra recommends using the proper mating adapter and making connections as shown. (Isolate and individually tape off the ends of any unused wires to prevent electrical short circuit.)
- 2 Re-connect the negative battery terminal and test the unit for proper operation.
- 3 Reassemble radio and dash assemblies in reverse order of disassembly.

FINAL WIRING CONNECTIONS

Make wiring connections using the EIA color code chart shown below and the instructions included with the head unit. Metra recommends making connections as shown below; Strip, Splice, Solder, Tape. Isolate and individually tape off ends of any unused wires to prevent electrical short circuit.

METRA / EIA WIRING CODE

12V Ignition / Acc.	Red	Right Front (+)	Gray
12V Batt / Memory.	Yellow	Right Front (-).	Gray/ Black
Ground.	Black*	Left Front (+)	White
Power Antenna.	Blue	Left Front (-).	White / Black
Amp Turn-On	Blue / White	Right Rear (+)	Violet
Amp Ground.	Black / White	Right Rear (-).	Violet / Black
Illumination	Orange	Left Rear (+)	Green
Dimmer	Orange / White	Left Rear (-).	Green / Black

*NOTE: When a Black wire is not present, ground radio to vehicle chassis.
All colors may not be present on all leads due to manufacturer's specifications.

99-8902 INSTRUCTIONS



1-800-221-0932



www.metraonline.com

REV. 05/15/09 © COPYRIGHT 2008-2009 METRA ELECTRONICS CORPORATION INST99-8902