

STYLISTIC ST Series

EasyGuide



Are there ...

... any technical problems or other questions which you would like to be clarified?

Please contact:

- our Hotline/Help Desk
(see Help Desk List or the Internet: <http://ts.fujitsu.com/helpdesk>)
- your sales partner
- your sales office

The latest information on our products, tips, updates etc. can be found on the Internet at:

<http://ts.fujitsu.com>



Published by

Fujitsu Technology Solutions GmbH
A26391-K279-Z220-1-7619, Edition 1
2009/04

Produced by
XEROX Global Services

STYLISTIC ST6012

User Guide

Introduction

Manufacturer's notes

Important notes

Index

Equipment overview

Preparing the Tablet PC
for use

Using the Tablet PC

Memory expansion

Security functions

Troubleshooting and tips

Technical data

Tablet Dock (optional)

Adobe and Acrobat are trademarks of Adobe systems Incorporated.

Kensington Lock and MicroSaver are registered trademarks of ACCO World Corporation.

Microsoft, MS, MS-DOS, Windows, Windows NT, Windows XP and Windows Vista are registered trademarks of Microsoft Corporation.

DPMS and VESA are registered trademarks of Video Electronics Standards Association.

Intel and Pentium are registered trademarks of Intel Corporation, USA.

The SD Logo is a trademark of Secure Digital.

The Bluetooth trademarks are the property of Bluetooth SIG, Inc., U.S.A. licensed for Fujitsu Technology Solutions GmbH.

All other trademarks referenced are trademarks or registered trademarks of their respective owners, whose protected rights are acknowledged.

Copyright © Fujitsu Technology Solutions GmbH 2009

All rights, including rights of translation, reproduction by printing, copying or similar methods, in part or in whole, are reserved.

Offenders will be liable for damages.

All rights, including rights created by patent grant or registration of a utility model or design, are reserved.

Delivery subject to availability. Right of technical modification reserved.

Contents

Innovative technology	1
Notational conventions	1
Important notes	3
Safety notes	3
Additional safety notes for devices with radio components	4
Notes on installing and removing boards and components	4
Protecting the screen	5
On the move with your Tablet PC	8
Before you travel	8
Transporting your Tablet PC	8
Cleaning	9
Avoiding overheating	9
Drivers and utilities	10
Further information	10
Overview of your Tablet PC	11
Top side view	11
Underside	12
Rear 13	
Left panel	13
Right-hand side	13
Setting up the Tablet PC	15
Unpacking and checking the delivery	15
Connecting the mains adapter	15
Switching on the Tablet PC for the first time	16
Using the Tablet PC	17
System modes	17
ON mode	17
Suspend mode	17
OFF mode	18
Powering up the Tablet PC	18
Switching off the Tablet PC	18
Activating suspend mode	18
Resuming operation	20
Setting the display brightness	20
Status indicator panel	22
Buttons	24
Application buttons	24
Navigation buttons	27
Additional functions of application and navigation buttons	28
Pen 29	
Using the pen	29
Battery	33
Charging, caring for and maintaining the battery	33
Removing and installing the battery	34
Tips for conserving battery power	36
Buffer battery	36
PC cards	37
Inserting a PC card	37
Removing a PC card	38

Contents

Memory cards	39
Inserting a memory card	39
Removing a memory card	40
Wireless LAN / Bluetooth / UMTS radio components (optional)	40
Switching radio components on and off	41
Memory expansion.....	43
Removing and installing memory modules	43
Removing a memory module	43
Installing a memory module	45
Security functions.....	49
Brief overview of security functions.....	49
Kensington Lock	50
Configuring password protection in BIOS Setup.....	50
Password protection for BIOS Setup (supervisor and user password).....	50
Password protection for starting the operating system	52
Password protection for hard disk.....	53
Configuring the fingerprint sensor (optional).....	54
Using the SmartCard reader.....	55
Inserting a SmartCard	56
Using Trusted Platform Module (optional).....	56
Troubleshooting and tips	59
Help if problems occur	59
Troubleshooting	59
User and/or supervisor password forgotten	59
SmartCard reader is not recognised	60
SmartCard PIN forgotten	60
SmartCard lost	60
System will not resume operation	60
Display screen is blank or difficult to read.....	61
The cursor does not correctly follow the pen movements.....	61
Infrared data transfer is not working	61
Device is not responding to the pen.....	62
Speaker/headphone volume is too low.....	62
Technical data	63
STYLISTIC ST6012	63
Tablet Dock (optional)	65
Manufacturer's notes.....	69
Declarations of Conformity.....	69
CE marking	69
Regulatory notices	70
Regulatory information for Tablet PCs without radio device	70
FCC Regulatory information for Tablet PCs with radio device.....	74
Index.....	77

Innovative technology

... ensures that the Table PC STYLISTIC ST is a reliable and convenient system. The operating system is pre-installed on the hard disk to make things easier when you use the Tablet PC for the first time.

This manual tells you how to set up your Tablet PC, and how to operate it on a day-to-day basis.

Notational conventions

The following notational conventions are used in this manual:



Indicates information which is important for your health, the operability of your notebook or the safety of your data. Faults on the notebook caused by your failure to follow the instructions will invalidate your warranty.



Indicates important information which is required to use the system properly.



Text which follows this symbol describes activities that must be performed in the order shown.

`This font`

indicates screen displays.

This style

indicates program names, commands, or menu options.

"Quotation marks"

indicate names of chapters, data carriers, and terms that are being emphasised.

Important notes

In this chapter you will find information regarding safety, which is essential to observe when using your Tablet PC. The other notes provide useful information on your Tablet PC.

Safety notes



Pay attention to the information provided in the "Safety" manual and in the following safety notes.

Observe the sections in the manual marked with the symbol on the left.

- When connecting and disconnecting cables, observe the relevant notes in this operating manual.
- When cleaning the device, please observe the relevant notes in the section "Cleaning".
- If you have a device with radio components, please also note the information in the "Additional safety notes for devices with radio components" section of the "Safety" manual.
- Do not place the Tablet PC on a soft surface (e.g., a carpet or soft furnishings). Place the Tablet PC on a stable, flat, non-slippery surface. Do not lean the Tablet PC against an unsuitable surface, it is advisable to return it to the Tablet Dock when it is not going to be required for a while. The Tablet Dock is available separately.
- Never leave the Tablet PC screen down, because this may damage the screen.
- Enter data using the pen supplied only. Touching the screen with other tools may cause considerable damage to the screen.
- The casing of your Tablet PC can become very warm during prolonged operation with the power supply unit. Therefore, touch the device carefully and only in the areas coated with a thermal suede if possible.
- Never place the mains adapter on a heat-sensitive surface.
- Keep other objects 100 mm away from the Tablet PC and its mains adapter to ensure adequate ventilation.
- Do not expose the Tablet PC to extreme environmental conditions. Protect the Tablet PC from dust, humidity and heat.
Avoid leaving the Tablet PC lying in direct sunlight in a car. Excessive heat reduces the life of the device.
- Always hold the device in such a way that the unfolded antenna, which is built into the frame of the display, does not lie against your body.

This device complies with the relevant safety regulations for data processing equipment. If you have questions about using your notebook in a particular area, please contact your sales outlet or our Hotline/Help Desk.

Additional safety notes for devices with radio components

- Switch off the radio components (the ON/OFF switch must be in the "OFF" position) when you are at an airport or driving in a car.
- Switch off the radio components (the ON/OFF switch must be in the "OFF" position) when you are in a hospital, an operating room or near a medical electronics system. The transmitted radio waves can impair the operation of medical devices.
- Switch off the radio components (the ON/OFF switch must be in the "OFF" position), when you take the device close to flammable gases or into hazardous environments (e.g. petrol station, paintshops), as the transmitted radio waves can cause an explosion or a fire.
- The range of the radio connection is dependent on environmental and ambient conditions.
- With data traffic via a wireless connection, it is also possible for unauthorised third parties to receive data.

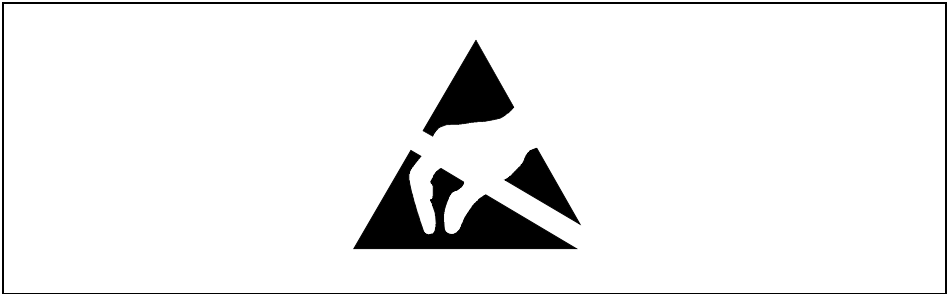
Fujitsu Technology Solutions GmbH cannot be held responsible for radio or television faults arising from unauthorised modifications made to this device. Fujitsu Technology Solutions GmbH is, furthermore, not responsible for replacing and / or exchanging connector cables and devices which have not been specified by Fujitsu Technology Solutions GmbH. The user bears sole responsibility for repairing faults arising from such unauthorised modifications made to a device and for replacing and/or exchanging devices.

Notes on installing and removing boards and components



Only qualified technicians should repair the device. Unqualified users who open the notebook's case expose themselves to electric shock and fire hazards.

Boards with electrostatic sensitive devices (ESD) are marked with the label shown.



When handling boards fitted with ESDs, you must always observe the following points:

- You must statically discharge yourself before working on the boards (e.g. by touching an earthed object).
- The equipment and tools you use must be free of static charges.
- Pull out the power connector and remove the battery before you install or remove boards.
- Always hold boards with ESDs by their edges.
- Never touch pins or conductors on boards fitted with ESDs.

Protecting the screen

The Tablet PC is designed to provide you with years of service. Using a screen protector will help ensure that the screen remains as clear as possible. When installed, the screen protector becomes a durable, replaceable writing surface that protects the actual screen from abrasion.

Please contact your dealer for additional screen protectors.



During normal use of the Tablet PC, small particles from the environment can become embedded in the pen tip and scratch the screen. To prevent scratching the screen, ensure that a screen protector is installed before using your Tablet PC. The warranty does not cover a scratched screen.

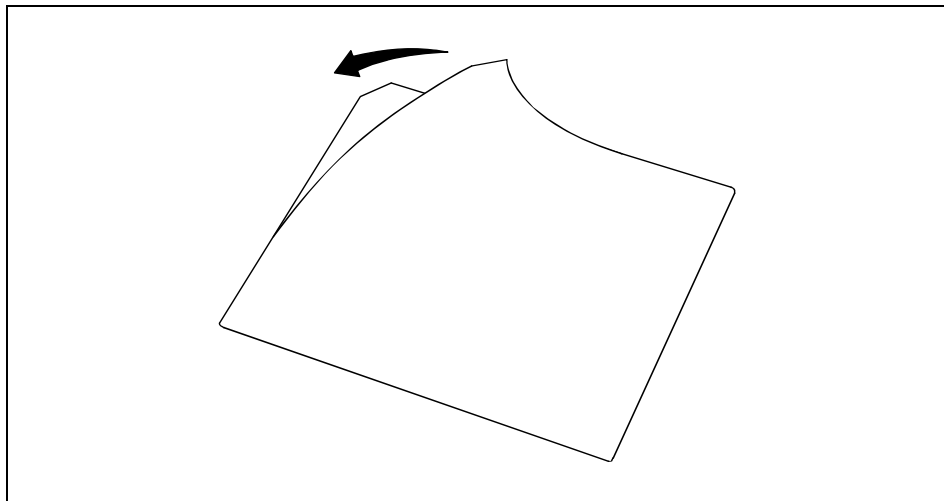
To install a new screen protector on your Tablet PC:

- ▶ If a screen protector is already fitted to the screen, remove it before installing the new screen protector.
The screen protector is held onto the screen surface by a thin strip of adhesive around the edges. There is a angled corner in one corner of the screen protector. It allows you to slide your fingernail under the screen protector for easy removal.

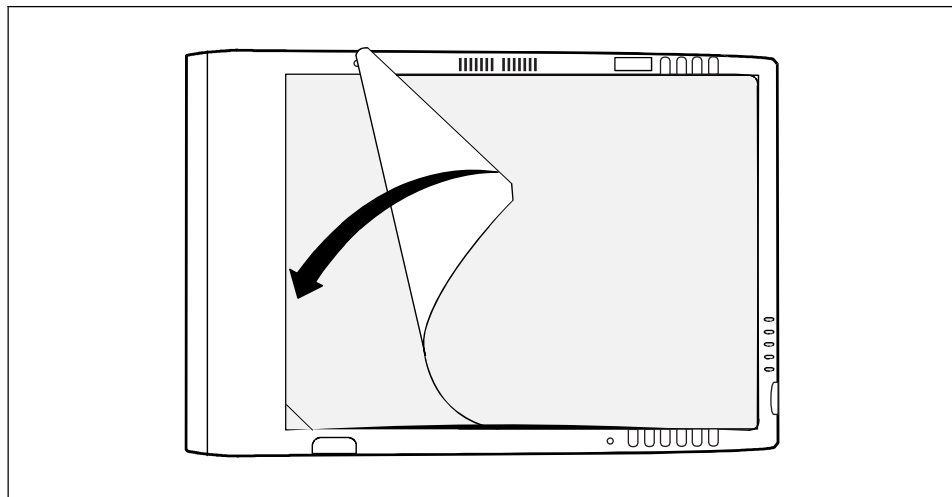


The Tablet PC is **not waterproof**. Do not pour liquids onto the system or wash it with a heavily soaked cloth.

Do not place items on the top of the display as this may cause damage.



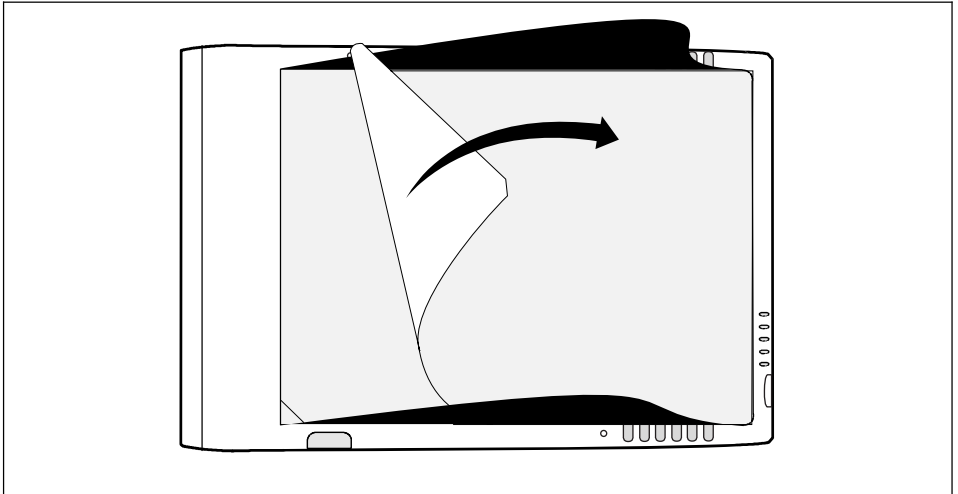
- ▶ Remove the protective coating from the adhesive side of the screen protector.



- ▶ Align the screen protector with the edges of the screen and place it on the screen surface with the adhesive side downwards (see illustration).
- ▶ Apply pressure to the screen protector with your finger. When doing so, perform wiping movements outwards towards the edges to prevent air bubbles and then firmly press down the edges.

To ensure a good seal between the screen protector and the display, do not lift the screen protector from the display once it has been applied.

A plastic protective coating is provided on the screen protector that must be pulled off before touching the screen with the pen.



- ▶ Carefully lift off the protective plastic coating at the angled corner. Now you can carefully pull off the protective coating (see illustration).

The screen protector is now transparent.

- ▶ Wipe the screen protector with a soft dry cloth to remove any low-tack adhesive. This will help prevent the pen tip from squeaking.

The screen protector is now installed.



The adhesive sets completely within 48 hours.

On the move with your Tablet PC

Please observe the points listed below when travelling with your Tablet PC.

Before you travel

- Back up important data stored on your hard disk.
- For safety reasons, switch the radio components (Wireless LAN/ Bluetooth/UMTS) on the Tablet PC off if you are not sure whether the emitted radio waves would affect the electrical and electronic equipment around you.
- If you wish to use your Tablet PC during a flight, check first with the flight attendants if it is permissible to do so.
- Make sure that the rated current of the mains adapter is not higher than that of the power system to which you connect it (see technical data for the mains adapter).

When travelling in other countries

- If you are travelling abroad, check that the mains adapter can be operated with the local mains voltage. If this is not the case, obtain the appropriate mains adapter for your Tablet PC. Do not use any other voltage converter!
- Check whether the local power supply and the specifications of the power cable are compatible. If this is not the case, buy a power cable that matches the local conditions. Do not use a connection adapter for electrical devices to connect the Tablet PC.
- Do not use a connection adapter for electrical devices to connect the notebook.
- Enquire with the corresponding government office in the country you will be travelling in as to whether you may operate the radio components integrated into your Tablet PC there (also see "CE marking").
- If you use a modem, incompatibilities with the local telecommunications system may result. This may result in poor performance, or the modem will not work at all. You may require a country-specific telephone adapter (available as an accessory).

Transporting your Tablet PC

- Switch the Tablet PC off with the ON/OFF switch.
- Unplug the mains adapter and all external devices from the power socket.
- Disconnect the mains adapter cable and the data cables for all external devices.
- Close the connector covers.
- If the device needs to be shipped, use the original packaging or other suitable packaging to protect it from damage caused by mishandling.
- To protect against damaging jolts and bumps, use a Tablet PC carrying case to transport the device.
Fujitsu Technology Solutions offers a number of solutions for transporting your Tablet PC. Contact your sales outlet. Current offers can be found on the Internet under <http://ts.fujitsu.com/accessories>.
- Protect the Tablet PC from severe shocks and extreme temperatures (e.g. direct sunlight in a car).

Cleaning

- ▶ Switch the Tablet PC off.
- ▶ Pull the power plug for the network adapter out of the mains outlet.
- ▶ Remove the battery.



Do not clean any interior parts yourself; leave this job to a service technician.

Only use cleaning products designed for computers. Normal household cleaners and polishes can damage the markings on the keyboard and the Tablet PC, the paintwork or the Tablet PC itself.

Please ensure that no liquid enters the Tablet PC.

Wipe the casing with a dry cloth.

If particularly dirty, use a cloth which has been moistened in mild domestic detergent and then carefully wrung out.

Avoiding overheating

The Tablet PC monitors its internal temperature. As the internal temperature approaches the tolerable limits for heat-sensitive components, system functions are automatically limited or turned off to prevent damage.

To avoid overheating the Tablet PC, do not obstruct the ventilation slots on the device.

Drivers and utilities

The "Drivers & Utilities" CD/DVD contains useful software and all drivers required for optimum configuration of your Tablet PC. Additional information for your Tablet PC and Readme files for the software provided are also included on the CD/DVD.

If you need to reinstall your operating system, you can reload the original software and the original drivers for your Tablet PC onto the hard disk using the "Drivers & Utilities" CD/DVD. You will always find the drivers available when the device was shipped on the "Drivers & Utilities" CD/DVD.

Driver updates and manuals are available at <http://ts.fujitsu.com/support>.

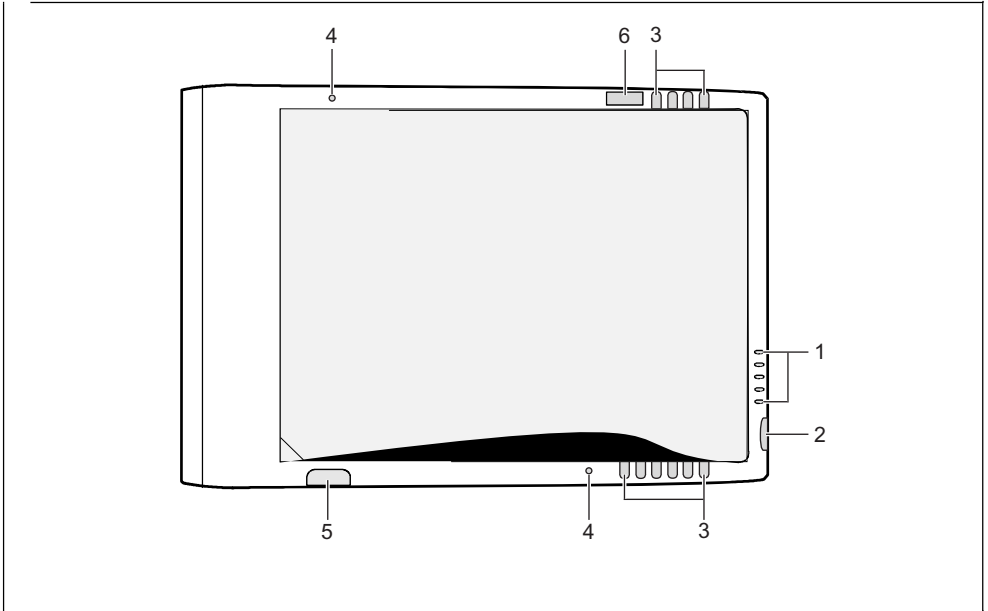
Further information

Detailed instructions and technical information for your Tablet PC are contained in this "EasyGuide" manual.

Information source	Type of information	Where?
"Wireless LAN" manual (PDF file)	Detailed instructions for using wireless LAN and technical information	"Drivers & Utilities" CD/DVD pre-installed (optional)
"Safety and Ergonomics" manual (printed)	Safety notes	Included in the delivery package
"Warranty" manual (PDF file)	General warranty conditions	"Drivers & Utilities" CD/DVD
"Return used devices" manual (PDF file)	Information on recycling and returning old devices	"Drivers & Utilities" CD/DVD
Information files (e.g. *.TXT, *.DOC, *.CHM, *.HLP, *.PDF, *.HTML)	Information on utilities and programs	"Drivers & Utilities" CD/DVD

Overview of your Tablet PC

Top side view



1 = Status indicators

2 = ON/OFF switch

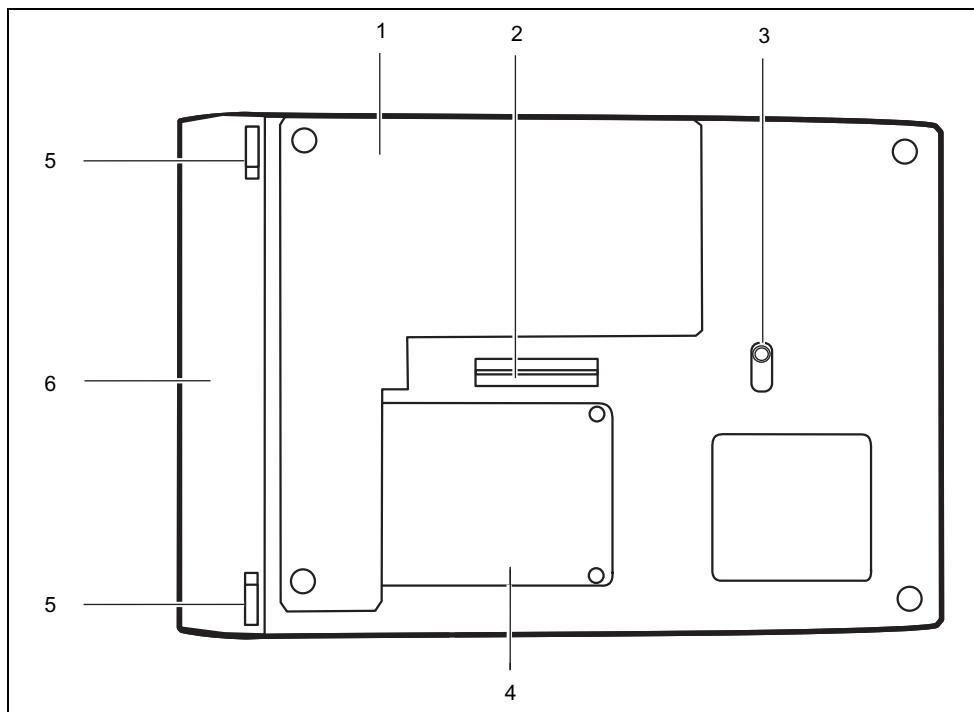
3 = Application buttons

4 = Microphone

5 = Infrared receiver for keyboard

6 = Fingerprint sensor

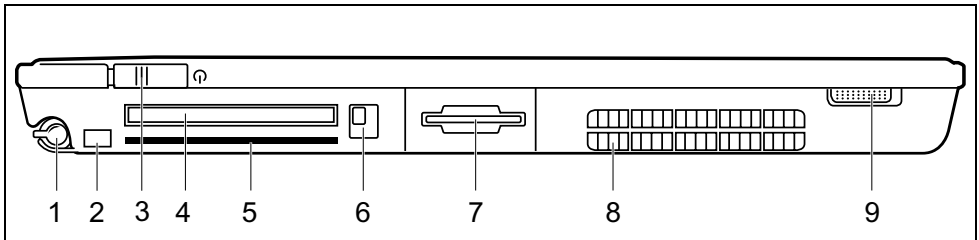
Underside



- 1 = Hard disk service compartment
- 2 = Port for Tablet Dock
- 3 = WebCam (optional)

- 4 = Memory service compartment
- 5 = Battery release latches
- 6 = Battery

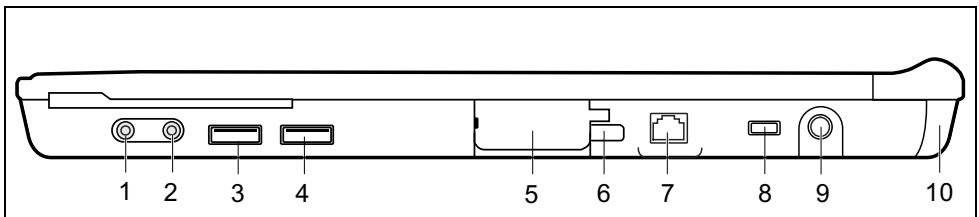
Rear



- 1 = Pen / pen garage
- 2 = Anchorage for pen retention cord
- 3 = ON/OFF switch
- 4 = PC card slot
- 5 = Port for SmartCard

- 6 = PC card eject button
- 7 = Multi-format card reader
- 8 = Ventilation slots
- 9 = Release for UMTS antenna

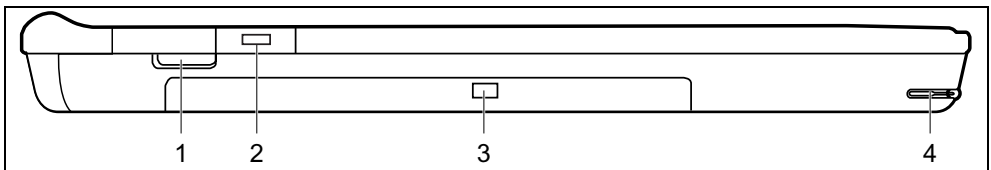
Left panel



- 1 = Headphone port
- 2 = Microphone jack
- 3 = USB port
- 4 = USB port
- 5 = Screen port
(with port cover)

- 6 = Tablet Dock latch point
- 7 = LAN port
- 8 = Kensington lock device
- 9 = Port for mains adapter
- 10 = Battery

Right-hand side



- 1 = ON/OFF switch for wireless components
- 2 = Infrared receiver for keyboard

- 3 = Tablet Dock latch point
- 4 = Pen / pen garage

Setting up the Tablet PC



Observe the relevant notes in the "Important notes" chapter and in the manual for your radio component.

You must charge the battery and install the application programmes before you can use the Tablet PC. The operating system and drivers required are preinstalled.

For mobile use, the built-in battery provides the Tablet PC with the necessary power. You can increase the battery's life by enabling the system's energy saving functions.

If you are using the Tablet PC in a stationary situation, you should run it from the mains using the mains adapter.

Unpacking and checking the delivery

It is recommended not to throw away the original packaging material! It may be required for reshipment at some later date.

- ▶ Unpack all the individual parts.
- ▶ Check the delivery for damage incurred during transportation.
- ▶ Check whether the delivery conforms to the details in the delivery note.



Should you discover that the delivery does not correspond to the delivery note, notify your local sales outlet immediately.

Do not discard the original packing material of the devices. You may need the packaging in the future if you need to transport your device.

Connecting the mains adapter



Follow the instructions in the "Safety notes" section.

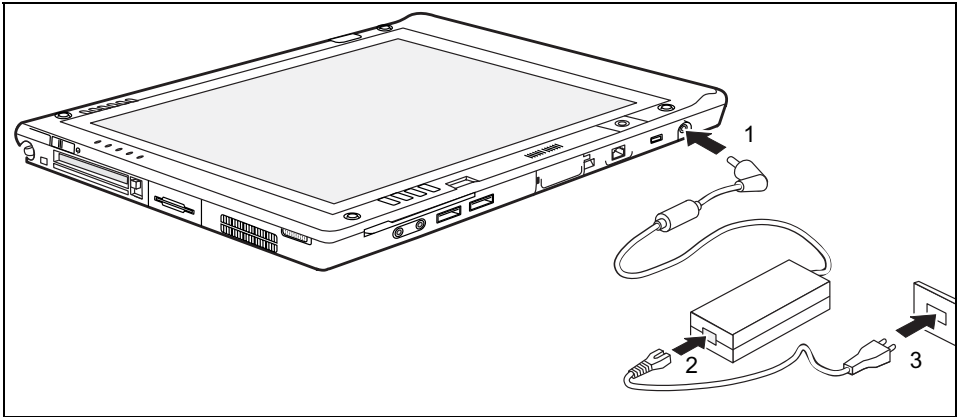
The power cable supplied conforms to the requirements of the country in which you purchased your Tablet PC. Make sure that the power cable is approved for use in the country in which you intend to use it.

The mains adapter's power cable should only be connected to a mains outlet if the Tablet PC is connected to the mains adapter.

Do not use the mains adapter for other devices.

Do not use a mains adapter that is not specifically intended for this Tablet PC.

Make sure that the rated current of the mains adapter is not higher than that of the power system to which you connect it (see technical data for the mains adapter).



- ▶ Connect the mains adapter cable (1) to the DC jack (DC IN) on the Tablet PC .
- ▶ Plug the power cable (2) into the mains adapter.
- ▶ Plug the power cable (3) into a mains outlet.

Switching on the Tablet PC for the first time



When you switch on the Tablet PC for the first time, the supplied software is installed and configured. Due to the fact that this installation must not be interrupted, you should set aside enough time for it to be completed and connect the Tablet PC to the mains outlet using the mains adapter.

During installation, the Tablet PC may only be rebooted when you are prompted to do so!

- ▶ Press the ON/OFF switch.

The power-on indicator lights up.

- ▶ During installation, follow the on-screen instructions.



Consult the operating system manual if anything is unclear about the requested input data.

Using the Tablet PC

This chapter describes the basics for operating your Tablet PC.



Please refer to the notes in "Important notes".

System modes

Before you begin using the Tablet PC, review the different system modes that the system provides.

Your system may be configured to enter some of these modes automatically after a period of inactivity to conserve battery power.

ON mode

The system is running. However, the user has not performed any action. The system waits.

Suspend mode

Suspend-to-RAM mode

All system functions are turned off to conserve power. Power to memory is on, maintaining data in programs that were running before system operation was suspended.

The system does not respond to the pen or other input when in Suspend-to-RAM mode.



If you unplug the mains adapter or remove the battery, you may lose any unsaved data.

Hibernate mode

All system functions are turned off to conserve power. Active data in programs that were running before suspending system operation is stored on the hard disk drive.

The system does not respond to the pen or other input.

OFF mode

All system functions are turned off to conserve power. The system does not respond to the pen or other input.



The system consumes the same amount of power whether it is in Hibernate mode or OFF mode.

Powering up the Tablet PC

Requirement: The system is switched off (OFF mode, hibernate).

- ▶ Press the ON/OFF switch to boot the system.

Switching off the Tablet PC

Follow these steps to shut down and turn off your system:

- ▶ If system operation has been suspended, resume system operation. Additional information is contained in the section "Resuming operation" in this chapter.
- ▶ Close all open programs.
- ▶ Choose *Shut Down* from the Windows Start menu.

The system is now switched off.

Activating suspend mode

The Tablet PC allows you to suspend system operation without closing programs or exiting the operating system.



Windows XP

If you selected *Shut down the computer* in *Start - Control Panel - Power Options*, the following procedure will not be possible, since pressing the button will cause the system to shut down rather than activating the suspend mode.

Windows Vista

If you selected *Shut down the computer* in *Start symbol - Control Panel - Mobile PC - Power Options* the following procedure will not be possible, since pressing the button will cause the system to shut down rather than activating the suspend mode.

To change the power options, go to *Start - Control Panel - Power Options*.

To suspend system operation:

- ▶ Press the On/Off button or carry out the Standby command from your operating system or power management program.

If your system is configured to suspend operation using Hibernate mode, a message is displayed while data is being saved to your hard disk.



In S3 (Suspend-to-RAM) you may lose unsaved data if the battery is removed and the system is not connected to the mains adapter.

The power indicator either flashes (Suspend-to-RAM) or is not displayed (Hibernate) when system operation is suspended, depending on how your system is configured. At this point, programs that were running are stopped, active data is saved, and the system enters one of two different low-power modes, or suspend modes, as explained in the following paragraphs.

Refer to the "Resuming operation" section in this chapter to resume system operation. Also, note the following with regard to suspending system operation:

- Your system may be configured to suspend operation automatically after a period of inactivity.
- If the battery charge drops to a critically low level while the system is running, the system is forced into a pre-selected mode (Suspend-to-RAM or Hibernate). If this happens, you must either install a charged battery, or connect an appropriate external power source such as the mains adapter before you can resume system operation. If the battery charge drops to a critically low level while the system is in Suspend-to-RAM mode, the system stays in Suspend-to-RAM mode until power is restored or totally dissipated.
- The suspend function of the On/Off button may be disabled to prevent accidental interruption. If this is the case, pressing the On/Off button will not suspend system operation as described here. (In this case, suspend mode can only be achieved using the system software.)

Resuming operation

When you want to resume operation, press the On/Off button.

- From Suspend-to-RAM mode□
Status indicators indicate that the system mode is changing. It may take a few seconds before the system returns to the ON mode and system operation resumes. Note that the display turns on shortly before the pen becomes active due to the power-up sequences observed by the system.
- From Hibernate mode
Active data is read from the hard disk drive. The system returns to the ON mode after a few seconds.

All programs resume at the point where execution stopped when system operation was suspended.

Setting the display brightness



Depending upon whether you are running your system from the battery or mains adapter, the default screen brightness settings will be different. The default screen brightness for running on the battery is lower than that for the mains adapter in order to optimise battery life.

If you do not use the Tablet PC for a short time, you can minimise or switch off the screen lighting to save energy.

There are two ways to adjust the brightness of your display:

Windows XP:

- ▶ Click the *Fujitsu Menu* icon in the task bar at the bottom right of the screen. The message *Change tablet and pen settings* will be displayed when the cursor is positioned over the icon.
- ▶ Select *Properties* from the context menu. The *Tablet and Pen Settings* window will appear.
- ▶ Select the *Display* tab and move the screen-brightness slider to change the brightness.

or:

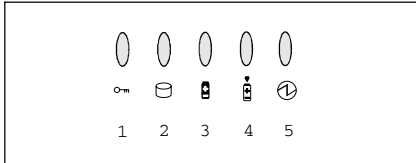
- ▶ Click *Start - Control Panel - Tablet and Pen Settings*.
- ▶ Select the *Display* tab and move the screen-brightness slider to change the brightness.

Windows Vista:

- ▶ Click the *Fujitsu Menu* icon in the task bar at the bottom right of the screen. When the cursor is on the icon, the message *Mobile PC - Windows Mobility Center* appears.
 - ▶ Select *Properties* from the context menu. The *Mobile PC - Windows Mobility Center* window appears.
 - ▶ Select the *Display* tab and move the screen-brightness slider to change the brightness.
- or:
- ▶ Click *Start - Control Panel - Mobile PC - Windows Mobility Center*.
 - ▶ Select the *Display* tab and move the screen-brightness slider to change the brightness.

Status indicator panel




The status of the system functions is displayed by the symbols in the status display.





- 1 = Security button indicator
- 2 = Hard disk indicator
- 3 = Battery charge level indicator
- 4 = Power source indicator
- 5 = Power indicator

The following table lists the different display states.

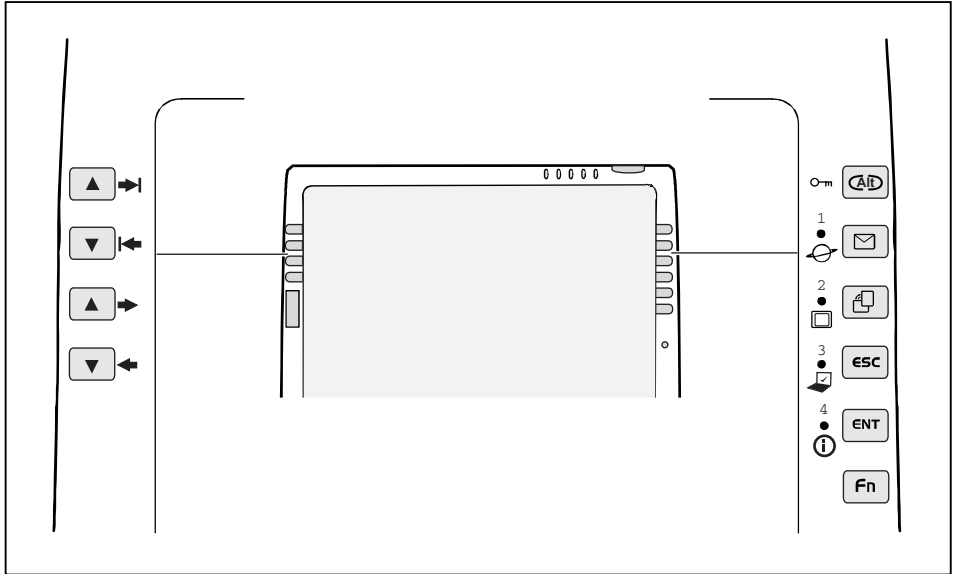
If an icon is not displayed, it indicates that the related system function is off or inactive.

Symbol	Mode	Indicator state	Remarks
	ON mode	Lights green	System is blocked. Security password is assigned by the security application.
	Suspend-to-RAM mode	Off	
	OFF mode Hibernate	Off	
	ON mode	Lights or flashes green	Hard disk drive is being accessed.
	ON mode	Lights green	Battery charge is between 50% and 100%.
		Lights orange	Battery charge is between 13% and 49%.
		Lights red	Battery charge is between 0% and 12%.
		Flashes red	There is a battery error.
	Suspend-to-RAM mode Battery power supply	Flashes slowly green	Battery charge is between 51% and 100%.
		Flashes slowly orange	Battery charge is between 13% and 50%.
		Flashes slowly red	Battery charge is between 0% and 12%.

	Hibernate mode with mains adapter	Off	Either the battery is not installed, the device is not switched on, or the device is in hibernate mode.
	Hibernate mode without mains adapter	Off	If battery is installed during power off, indicator blinks amber for 4 seconds to detect battery. Battery status is displayed for five seconds after that.
	Power supply	Lights orange	Power adapter and battery are available; battery is charging.
		Lights green	Power adapter and battery are available; battery is not charging (battery is fully charged). AC adapter is available but battery is not installed.
		Flashes orange	Power adapter and battery are available and waiting to charge (battery is out of thermal range).
		Off	Power adapter is not available.
	ON mode	Lights green	The system is powered on and ready for use.
	Suspend-to-RAM mode	Flashes green	The device is in power-saving mode. Active settings were saved to RAM.
	OFF mode Hibernate	Off	The device is switched off.

Buttons

Application buttons






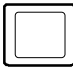




Allow you to quickly launch pre-defined applications and utilities by pressing a button. Certain buttons have additional functions. You can activate this additional functions by pressing the **Fn** button while pressing the application button.

The application buttons also have separate additional functions that can be used while the system is booting up. For more information refer to the "Additional functions of application and navigation buttons" section in this chapter.



The **Alt** button is the only application button that can be used while the system is logging on or when the system is locked (i.e. when you have the corresponding Windows window showing on your desktop). The **Alt** button has the same function as the **Ctrl**, **Alt** and **Del** key combination on a keyboard (warm boot).

Button name and icon	Tablet PC icon (Fn + button)	Function description
Alt button 		<p>The Alt button performs two functions:</p> <p>If you hold the Alt button down for two seconds, you can log onto the system again:</p> <ul style="list-style-type: none"> - after system startup - after a system lock - when returning from energy-saving mode <p>After log-on, pressing the Alt button for two seconds launches the Windows Task Manager or - in a network - opens the security window.</p>
E-mail button 	Internet button 	<p>Pressing the E-mail button, launches you e-mail program (e.g. Microsoft <i>Outlook Express</i>).</p> <p>Pressing the Fn + E-mail buttons at the same time automatically launches the Web browser.</p> <p>Before the buttons function as described, the Internet connection must be set up and e-mail retrieval from the server must be configured.</p>
Orientation button 	Display mode button 	<p>When you press the Orientation button, the orientation of the screen display changes from portrait (vertical) to landscape (horizontal) or vice versa.</p> <p>Pressing the Fn and Orientation buttons at the same time launches the advanced settings menu for the screen controller. From that menu you can choose the display mode you would like to use.</p>

Button name and icon	Tablet PC icon (Fn + button)	Function description
ESC button ESC		<p>The Esc button has the same function as the Esc key on a keyboard.</p> <p>Windows XP:</p> <p>Pressing the Fn + Esc buttons at the same time calls up a pre-determined application or shortcut, as assigned in the <i>Tablet Button Settings</i> utility. (You can change the settings in <i>Control Panel - Tablet Button Settings</i>.)</p> <p>Windows Vista:</p> <p>Pressing the Fn + Esc buttons at the same time calls up a pre-determined application or shortcut, as assigned in the <i>Tablet Button Settings</i> utility. (You can change the settings in <i>Control Panel - Mobile PC - Tablet PC - Settings</i>.)</p> <p>By default, pressing the Fn + Esc combination has the same effect as the Ctrl and Esc shortcut on the keyboard: the Start menu is opened.</p>
ENT button ENT		<p>The ENT button has the same function as the Enter key on a keyboard.</p> <p>Windows XP:</p> <p>Pressing the Fn + ENT buttons at the same time calls up a pre-determined application or shortcut, as assigned in the <i>Tablet Button Settings</i> utility. (You can change the settings in <i>Control Panel - Tablet Button Settings</i>.)</p> <p>Windows Vista:</p> <p>Pressing the Fn + Esc buttons at the same time calls up a pre-determined application or shortcut, as assigned in the <i>Tablet Button Settings</i> utility. (You can change the settings in <i>Control Panel - Mobile PC - Tablet PC - Settings</i>.)</p> <p>By default, pressing the Fn + ENT combination has the same effect as pressing the Alt key on the keyboard: In most Windows applications this will select one of the main menus.</p>
Fn key Fn		<p>The Fn button works in conjunction with the other application buttons to provide additional functionality for the buttons as indicated in this table.</p> <p>Pressing the Fn button twice in succession within the "sticky" time, causes the <i>Fujitsu Menu</i> to appear on your screen. The <i>Fujitsu Menu</i> is used to change certain system settings.</p>







The **Fn** button has a practical delay function. This allows you to press the two buttons for a shortcut one after the other instead of needing to press them both at the same time. After pressing the **Fn** button, you have a short time (2 to 3 seconds) to press the second button.

Navigation buttons

Each of the buttons can be toggled by pressing either end of the button.

The navigation buttons have dual functions. The additional functions are activated by pressing the **Fn** button while pressing the navigation button.

The buttons also have separate additional functions that can be used while the system is booting up. For more information refer to the "Additional functions of application and navigation buttons" section in this chapter.

Symbol	Function (button pressed alone)	Additional function (button pressed together with the button Fn)
 	<p>When the Up portion is pressed, you will scroll up one page.</p> <p>When the Down portion is pressed, you will scroll down one page.</p>	<p>When pressed with the Fn button, the Up portion of this button allows you to tab right.</p> <p>When pressed with the Fn button, the Down portion of this button allows you to tab left.</p>
 	<p>When the Up portion is pressed, the cursor will move up.</p> <p>When the Down portion is pressed, the cursor will move down.</p>	<p>When pressed with the Fn button, the Up portion of this button will move the cursor to the right.</p> <p>When pressed with the Fn button, the Down portion of this button will move the cursor to the left.</p>








The **Fn** button has a practical delay function. This allows you to press the two buttons for a shortcut one after the other instead of needing to press them both at the same time. After pressing the **Fn** button, you have a short time (2 to 3 seconds) to press the second button.



Additional functions of application and navigation buttons

While you are booting up your system, you can call up the *Windows Advanced Options Menu*, where you can set different modes (such as Safe Mode). You can also use the application and navigation buttons to call up the *BIOS Setup*.

When it is supplied, the Tablet PC is set to factory default settings. You can change these settings in the *BIOS Setup*. Any changes you make take effect as soon as you save and quit the *BIOS Setup*.

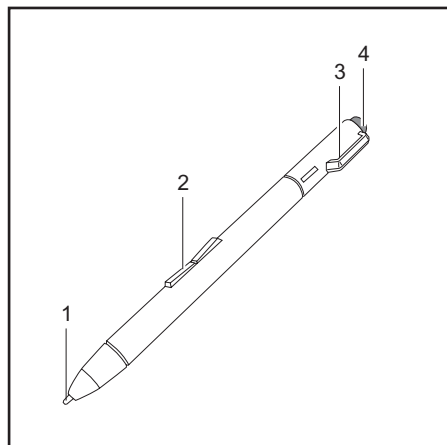
The system is booting up while the Fujitsu Technology Solutions logo is displayed immediately after turning on the system. The following table shows which additional functions the application and navigation buttons offer when booting the system and in the *BIOS Setup*.

Buttons and icons	Purpose (when pressed while the system is booting up)
<p>Alt button</p> 	<p>Pressing the Alt button while the system is booting up takes you into the <i>BIOS Setup</i>. The Alt button has the same function as the F2 key on a keyboard during booting.</p> <p>In normal operation the Alt button has the same function as the Ctrl, Alt and Del shortcut on a keyboard (warm boot).</p>
<p>E-mail button</p> 	<p>Pressing the E-Mail button while the system is booting up opens the <i>Boot Menu</i>.</p> <p>When booting the system, the E-mail button has the same function as the F12 key on a keyboard.</p>
<p>Orientation button</p> 	<p>Pressing the Orientation button while the <i>BIOS Setup</i> is open causes the selected item to change to the next item.</p> <p>The Orientation button has the same function as the spacebar on a keyboard.</p>
<p>ESC button</p> 	<p>Pressing the Esc button while the <i>BIOS Setup</i> is open exits the <i>BIOS Setup</i>.</p> <p>The Esc button has the same function as the Esc key on a keyboard.</p>
<p>ENT button</p> 	<p>Pressing the ENT button while the <i>BIOS Setup</i> is open has the same effect as pressing the Enter key on a keyboard.</p>

Buttons and icons	Purpose (when pressed while the system is booting up)
<p data-bbox="165 188 262 210">Fn button</p> <p data-bbox="176 229 250 277">Fn</p>	<p data-bbox="344 181 1025 277">Pressing the Fn button while the system is displaying the operating system boot menu opens the <i>Windows Advanced Options Menu</i>. This menu allows you to set different operating system modes (such as safe mode).</p> <p data-bbox="344 287 1001 335">The Fn button has the same function as the F8 key on a keyboard during booting.</p>
	<p data-bbox="344 351 1012 421">Pressing the top half of the button while the <i>BIOS Setup</i> is open causes the cursor in the <i>BIOS Setup</i> screen to move up. The same effect is achieved as with the corresponding arrow key on a keyboard.</p> <p data-bbox="344 430 949 453">This feature is also available in the operating system <i>Boot Menu</i>.</p> <p data-bbox="344 469 1012 539">Pressing the bottom half of button while the <i>BIOS Setup</i> is open causes the cursor in the <i>BIOS Setup</i> screen to move down. The same effect is achieved as with the corresponding arrow key on a keyboard.</p> <p data-bbox="344 549 949 571">This feature is also available in the operating system <i>Boot Menu</i>.</p>
	<p data-bbox="344 590 1030 660">Pressing the top half of the button while the <i>BIOS Setup</i> is open causes the cursor in the <i>BIOS Setup</i> screen to move to the right. The same effect is achieved as with the corresponding arrow key on a keyboard.</p> <p data-bbox="344 670 972 766">Pressing the bottom half of the button while the <i>BIOS Setup</i> is open causes the cursor in the <i>BIOS Setup</i> screen to move to the left. The same effect is achieved as with the corresponding arrow key on a keyboard.</p>

Pen

Using the pen



- 1 = Pen tip
- 2 = Rocker button
- 3 = Eyelet for pen cord
- 4 = Eraser

You can use the pen on your notebook as an electronic writing implement to select items and to navigate through menu options and programs. Programs that support handwriting recognition also allow you to write characters directly on the screen with the pen. You can also use the pen as a drawing tool. You can use the eraser (4) on the pen to delete previously written or drawn inputs.

The notebook pen is retained securely in the pen slot. This ensures that the pen cannot be lost, regardless of whether you use the notebook as a Tablet PC or as a notebook, or transport it while travelling. Always replace the pen in its slot when you are not using it.

The notebook is supplied with a pen cord which you can attach to the eyelets on the pen and on the notebook.



Only use the pen provided with your notebook. Do not use substitute pen tips that were not specially designed for your notebook. Replace the stylus tip if it is worn. The warranty does not cover a scratched screen.

While writing, you should watch out that you do not scratch the surface of the display (e.g. with a wristwatch or bracelet).



The pen of your notebook is an electronic instrument which can be damaged if used improperly. Handle the pen with care.

The following list contains guidelines for proper pen handling:

- Do not gesture with the pen.
- Do not use the pen as a pointer.
- Never use the pen on any other surface than the screen of your notebook.
- Do not try to turn the thumb grip on the pen. The thumb grip is used to place the pen in its slot and to take it out of the slot.
- Never store the pen with the tip bearing the weight of the pen (e.g. with the tip down in a pen holder). If the pen is stored with the tip pointing down, this may have an adverse effect on the pen mechanism (particularly under high temperatures). In this case the pen tip may react as though it is constantly being pressed down. To avoid damage, the pen should be stored in the pen slot when not in use.

The pen can be influenced by electromagnetic fields (cursor quivers or jumps). There may be a few areas on the screen where the cursor quivers slightly in spite of pressing the pen down firmly.

The screen reacts when the pen tip is less than 1/8 inch (3-5mm) from the screen.

You can use the pen to run all functions for which you would otherwise use a mouse. In addition, you can conveniently delete hand-written pen entries using the pen.

Selecting menu options (left mouse click)

- ▶ Touch the menu option with the pen tip.

Starting programs (double-click left mouse button)

- ▶ Briefly touch the program icon twice consecutively with the pen tip.

Moving objects/windows (drag with left mouse button pressed)

- ▶ Place the pen tip directly on the object/window, hold the pen tip pressed against the screen and move the desired object/window.

Opening pop-up menu (right mouse click)

- ▶ Touch the desired element with the stylus and leave the stylus on the element for a moment.

Or

- ▶ Press the front of the rocker button (facing toward the pen tip) and simultaneously touch the corresponding position with the pen tip.

Moving the cursor

- ▶ Hold the pen tip less than 1/8 inch (3-5 mm) from the screen and move the pen.

Setting the pen

Windows XP

Under *Fujitsu Pen Settings or Tablet and Pen Settings* in the Control Panel you can change various settings for the pen (pressure sensitivity, assignment and function of the rocker button).

Windows Vista

Under *Start symbol – (Settings) - Control Panel – Mobile PC – Pen Settings or Tablet PC Settings* in the Control Panel you can change various settings for the pen (pressure sensitivity, assignment and function of the rocker button).

Calibrating the pen

Before using the pen for the first time, you should calibrate it so that the cursor follows the movements of the pen as accurately as possible. You should also always repeat the calibration if the co-ordination between the pen and cursor movement deteriorates.

Windows XP

To calibrate, run the *Tablet and Pen Settings* function in the Control Panel. You need to calibrate both portrait and landscape formats.

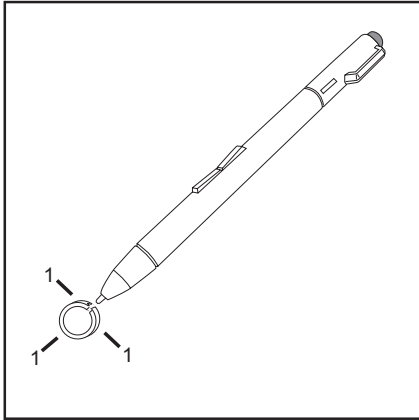
Windows Vista

To calibrate, run the *Tablet PC Settings* function in the Control Panel. You need to calibrate both portrait and landscape formats.

Replacing the pen tip

With use, the pen tip may become worn or may pick up foreign particles that can scratch the screen. A damaged or worn tip may not move freely, causing unpredictable results when using the pen.

If your pen exhibits these problems, you should replace the pen tip. To do so, use the pen tip removal tool included with your pen.



- ▶ To remove the tip; position the tip in the gap between the two ends of the tool.
- ▶ Pinch the two ends of the tip changer together so that the tip is firmly clasped (1), then pull it from the barrel.

- ▶ Replace the pen tip with one of the spare tips supplied.
Insert the flat end of the tip into the barrel and push it in firmly until it is in place.



If the tip is worn or damaged, discard it.

Installing a pen cord

You can attach the pen with a pen cord to prevent accidentally dropping it or losing it.

- ▶ Attach the end of the pen cord with the smaller loop to your pen.
- ▶ Attach the end of the pen cord with the larger loop to your notebook.

Battery

The battery supplies the Tablet PC with the necessary power during mobile use. You can increase battery life by enabling the system's power management features.

The battery charge is indicated by the battery symbol in the status indicator panel (see also "Status indicator panel"). When you switch on the Tablet PC, it takes a few seconds before the battery status is displayed.

The life of the battery is dependent on its proper storage, the number of charging/discharging cycles and the operating temperature of the Tablet PC.

Charging, caring for and maintaining the battery



Only use batteries approved by Fujitsu Technology Solutions for your device.

Take care not to drop the batteries or otherwise damage their casing (fire risk).

If batteries develop a fault, you should stop using them immediately.

Do not touch the contacts of the batteries.

Never interconnect the positive and negative terminals of a battery.

You must dispose of batteries in line with the local regulations for special waste.

Charging the battery

You can charge the battery by connecting the Tablet PC to the mains adapter. The time taken to charge the battery depends on its usage.

The battery can only be charged when the ambient temperature is between 5°C and 40°C.



Windows XP:

You can set the power management features for your Tablet PC under *Start - (Settings) - Control Panel - Power Options*.

Windows Vista:

You can set the power-management features for your Tablet PC under *Start - (Settings) - Control Panel - Mobile PC - Power Options*.

Storing the battery

Store the battery in a dry environment at a temperature of between 0°C and +30°C. The lower the temperature at which the batteries are stored, the lower the rate of self-discharge.

If you will be storing batteries for a longer period (longer than two months), the battery charge level should be approx. 30%. To prevent deep discharge, check the charge level of the battery at regular intervals.

To utilise the optimum charging capacity of the battery, it should be completely discharged and then fully recharged.



If you will not be using batteries for long periods, remove them from the device. Never store the batteries in the device.

Monitoring the battery charge level

The battery charge is indicated by the battery symbol in the status indicator panel (see "Status indicator panel").

Power management includes a "battery charge meter" located in the task bar. When you place the mouse pointer on the battery symbol, the system displays the battery status. Further information may be found in the Windows operating system Help.

Removing and installing the battery

The battery can be removed from the Tablet PC and replaced with a charged battery.



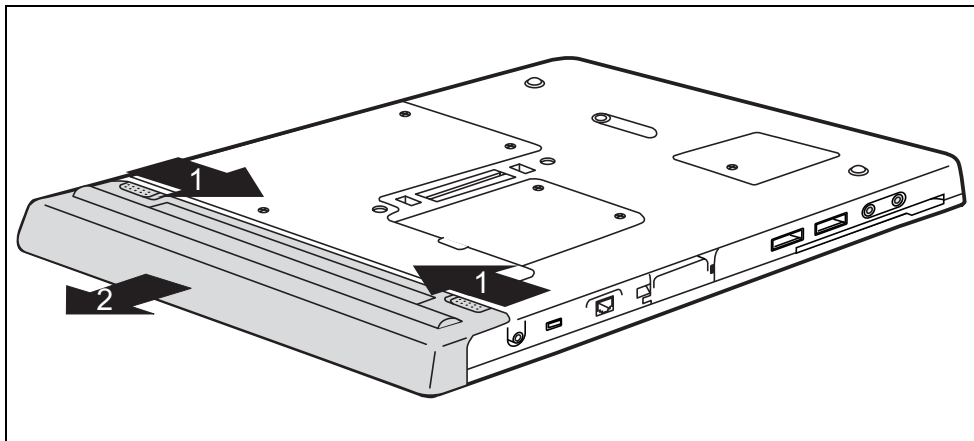
Only use batteries approved by Fujitsu Technology Solutions for your Tablet PC.

Never use force when inserting or removing a battery.

Make sure that no foreign bodies get into the battery connections.

- ▶ Select one of the following options to prepare for removing the battery:
 - If a charged battery is available, you can suspend system operation. A built-in buffer battery will maintain the system in Suspend-to-RAM mode for about 1 minute while the battery is removed. This allows time for replacement with a charged battery.
 - If a charged battery is not available, save your work and close all running programs, then shut down the system or initiate Hibernate mode.

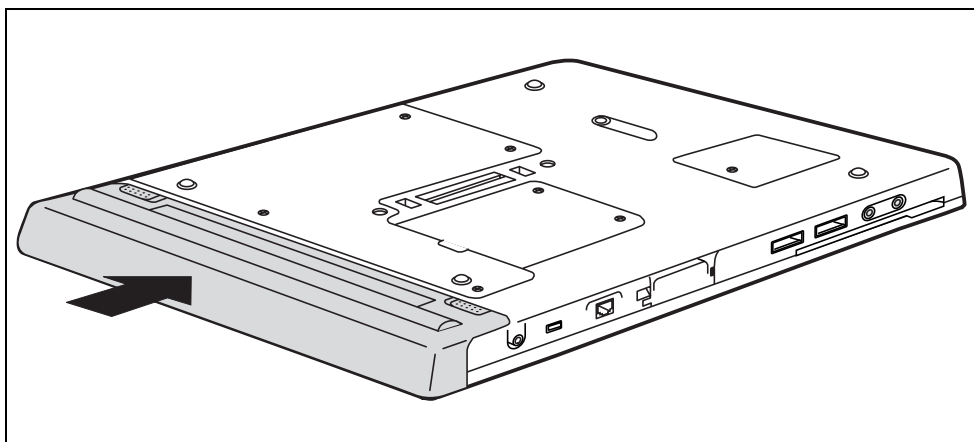
Removing the battery



- ▶ Push the battery lock (1) in the direction of the arrow.
- ▶ Pull the battery out of the Tablet PC in the direction of the arrow (2).

Installing the battery

- ▶ Align the battery with the guides in the empty battery compartment.



- ▶ Slide the battery into the tray and press it firmly until it is seated.

When the battery is properly positioned, the battery release latch should return to its initial position and lock the battery.

Tips for conserving battery power

Battery life depends upon the operating system, energy-saving settings and the applications in use. You can extend the life of your battery by conserving battery power:

- ▶ Use an external power source such as the mains adapter whenever the system is docked to a Tablet Dock.
- ▶ Shut down the system if you do not intend to use it for an extended period of time.
- ▶ Use the energy saving options provided by the operating system to help you conserve power.
- ▶ If you will not be using the Tablet PC for a short time, you can minimise and/or switch off the screen lighting in order to save energy.

Buffer battery

The buffer battery allows the battery to be replaced during standby mode without the loss of data. It allows you a period of one minute. The device cannot be used normally without a battery/power supply (i.e. only with the buffer battery).



The buffer battery function is disabled if *Wake On LAN* is enabled in the *BIOS Setup*.

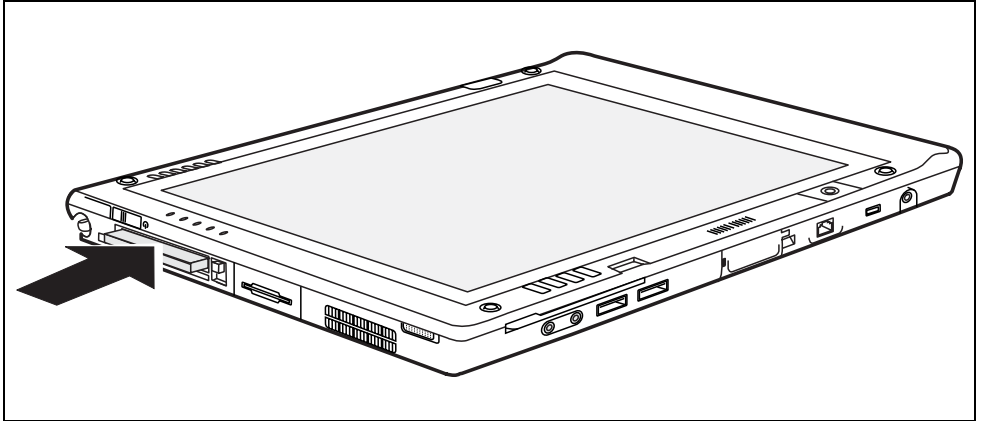
The buffer battery is not charged when the system is delivered. Charge the buffer battery sufficiently before relying upon it to support the system in the event of battery removal.

- To prevent drainage of the buffer battery, always store the system with a charged battery installed.
- If the buffer battery becomes drained, it takes approximately 8 hours for it to be fully recharged.
- The buffer battery charges when the mains adapter is connected. The buffer battery only charges from the battery when the system is in ON mode.

PC cards

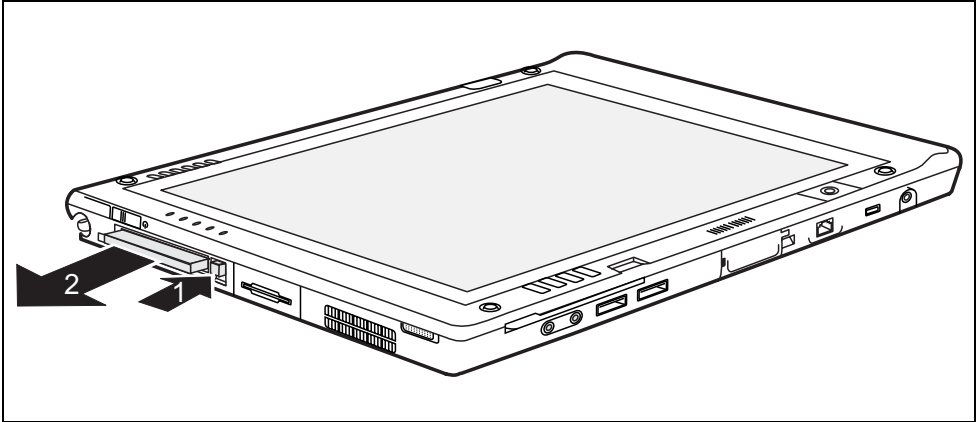
The PC card slot (PCMCIA) on the Tablet PC allows you to install a Type I or Type II PC card.

Inserting a PC card



- ▶ Insert the PC card, contacts first, into the slot guide. The labelled side of the PC card should be facing upwards.
- ▶ Slide the PC card carefully into the PC card slot.
- ▶ Press it firmly until you feel it click into place.

Removing a PC card



- ▶ First click the *Safely Remove Hardware* icon in the task bar in the bottom right-hand corner of the display. Select the device to be removed and click on *Shut down*.
- ▶ Press the eject button (1). The PC card will project further out of the Tablet PC's case. If the eject button is retracted, you must first release the eject button from the Tablet PC casing. Press the eject button until it snaps out.
- ▶ Slide the PC card out of the Tablet PC (2).

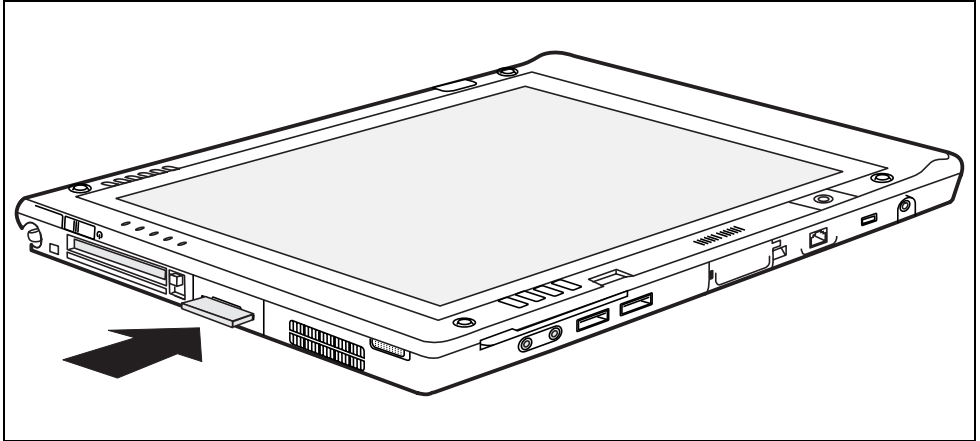


Never press the eject button with the sensitive pen tip! The pen tip could be damaged in the process.

Memory cards

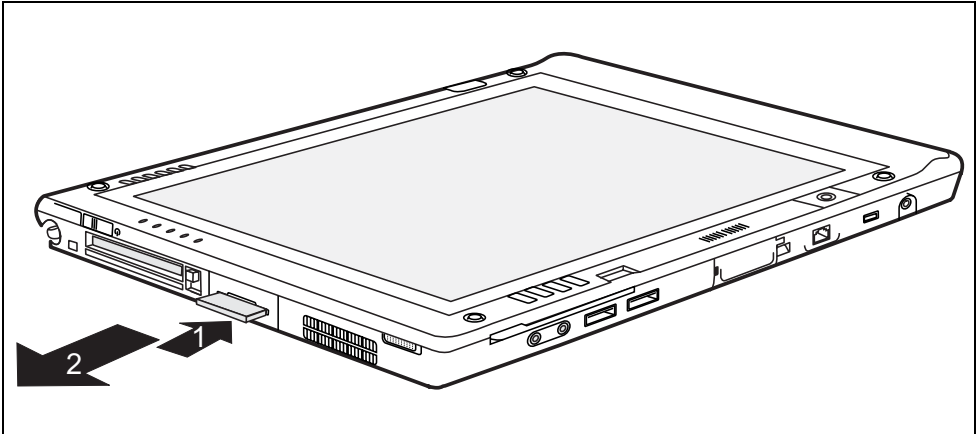
The slot is suitable for storage cards of the "Secure Digital I/O" and "Memory Stick" type.

Inserting a memory card



- ▶ Gently push the memory card into the slot until you feel it click into place.

Removing a memory card



- ▶ Press the edge of the memory card (1) so that the memory card jumps slightly out of the slot.
- ▶ Pull the memory card out of the slot (2).

Wireless LAN / Bluetooth / UMTS radio components (optional)

As an option, your Tablet PC can be equipped with an integrated wireless LAN and/or Bluetooth and/or UMTS module. The radio components are switched off during delivery.

The configuration program of the network card for Wireless LAN is provided for configuring the Wireless LAN and indicating the status of the network card.

For Bluetooth configuration a configuration programme is available on the Bluetooth-CD.

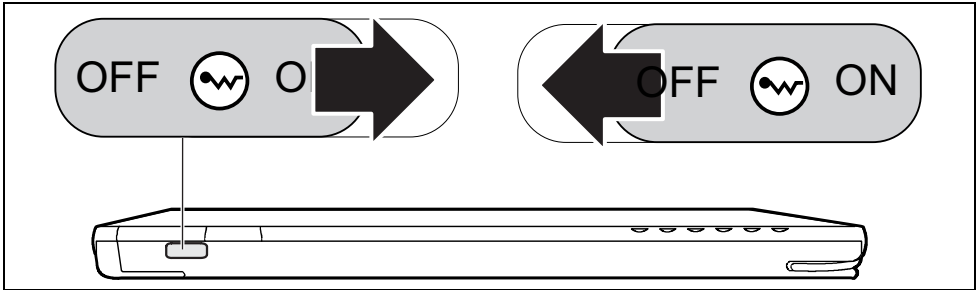
The UMTS module can be switched on and off with the switch for the wireless components. You can also use the *UMTS Watcher* software to define profiles and switch individual wireless components on or off.

Details on how to use wireless LAN and the associated configuration software are provided in the "Wireless LAN" manual included in PDF format on the "Drivers & Utilities" CD/DVD or pre-installed on your Tablet PC (optional) under *Start - All Programs - AddOn (Windows XP)* or *Start - All Programs - Fujitsu (Windows Vista)* .



You will find further information in the online help for Bluetooth and Wireless LAN software.

Switching radio components on and off



- ▶ Slide the ON/OFF switch to the "ON" position to activate the radio component.
- ▶ Slide the ON/OFF switch to the "OFF" position to deactivate the radio component.

Memory expansion

Your Tablet PC has two DIMM slots. 1 GB and 2 GB modules are available, so that you can install up to 4 GB of memory on your system.



A DIMM replacement should only be carried out at a suitable workplace. You must statically discharge yourself (e.g. by touching an earthed object). The equipment and tools you use must be free of static charges. Avoid touching connector pins, conductors or other circuit components on the Tablet PC. Electrostatic discharge caused by doing so can damage sensitive components.

Removing and installing memory modules



Please note the information provided in "Notes on installing and removing boards and components" section in "Important notes".

The notebook must be switched off when installing/removing memory modules, and must not be in Suspend mode.

Only use the manufacturer's memory expansions that have been approved for your device.

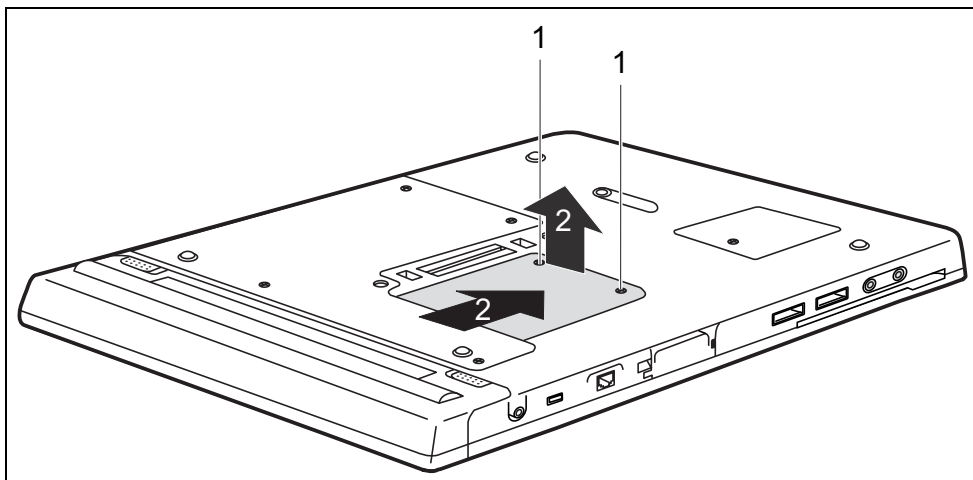
Never use force when installing or removing memory modules.

Make sure that foreign objects do not fall into the memory expansion compartment.

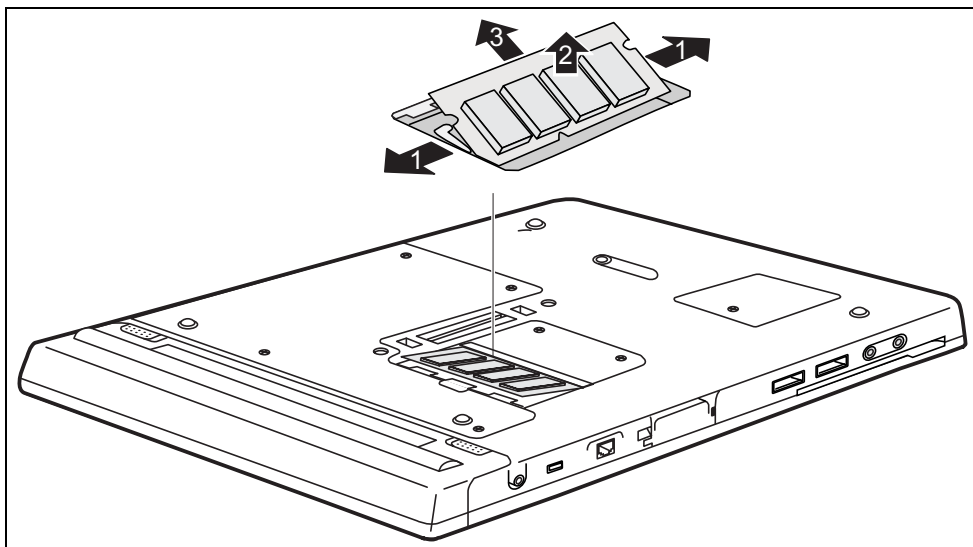
Removing a memory module

- ▶ Switch the Tablet PC off (see "Press the ON/OFF switch to boot the system.
- ▶ Switching off the Tablet PC"). Do not attempt to install or remove a DIMM module when the system is in Suspend mode or running.
- ▶ Unplug the mains adapter plug from the socket.
- ▶ Remove the battery (see "Removing and installing the battery").

Memory expansion



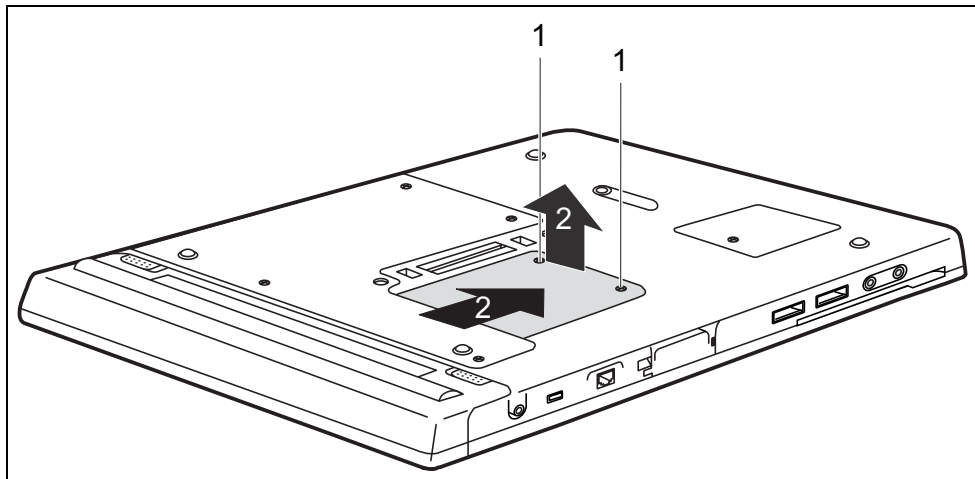
- ▶ Remove the screws (1).
- ▶ Slide the cover off the Tablet PC in the direction of the arrow (2).



- ▶ Carefully push the two mounting clips outwards (1).
The memory module will snap upwards (2).
- ▶ Pull the memory module out of its slot in the direction of the arrow (3).

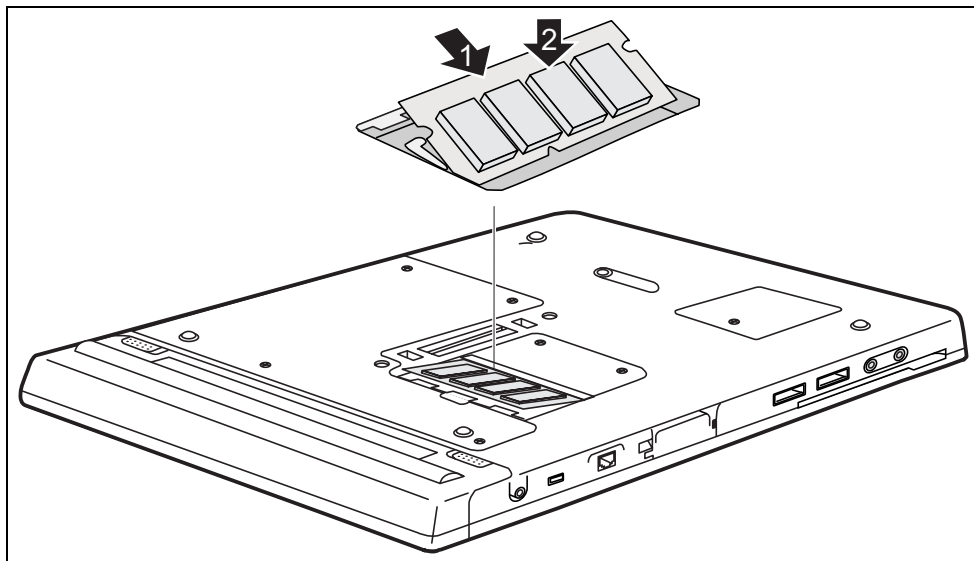
Installing a memory module

- ▶ Switch the Tablet PC off (see "Press the ON/OFF switch to boot the system. Switching off the Tablet PC"). Do not attempt to remove or install a memory module when the system is in Suspend mode or running.
- ▶ Pull the power plug out of the mains outlet.
- ▶ Remove the battery (see "Removing and installing the battery").



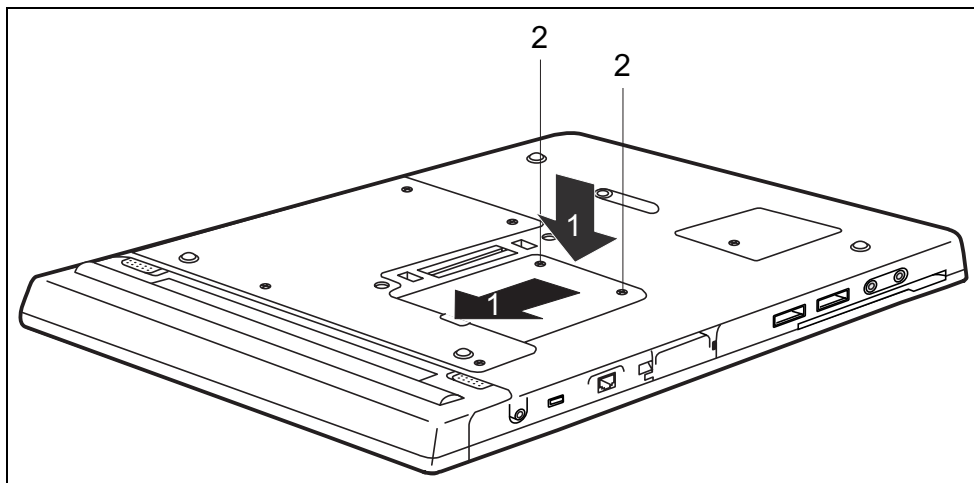
- ▶ Remove the screws (1).
- ▶ Slide the cover off the Tablet PC in the direction of the arrow (2).

Memory expansion



- ▶ Insert the memory module into the slot (1), contacts first.
- ▶ Carefully push the memory module downwards until you feel it click into place (2).

The memory module is coded to prevent it from being inserted backwards.



- ▶ Place the cover on its slot in the direction of the arrow (1).
- ▶ Secure the cover with the screws (2).

- ▶ Confirm that the memory module is recognised by the system. To do so, restart the Tablet PC. The size of the memory module should be displayed in the Info menu in *BIOS Setup*.

The memory module is now installed on your Tablet PC. You can now use the system.

Security functions

Your Tablet PC enables you to protect your system and personal data against unauthorised access in a number of ways. By combining these options, you can achieve maximum protection for your system.

In this chapter you will learn which security functions your Tablet PC is equipped with, the benefits these functions offer you and how to configure and use them.



Bear in mind that improper use of security functions will mean that you will also be unable to access your system and your data. Therefore, please note the following information:

- Back up your data on external data carriers at regular intervals.
- Some security functions need you to choose passwords. Please be sure to note these passwords, as otherwise you will no longer be able to access your system. We recommend that you make a note of the passwords and keep them in a safe place.

If you lose both the user and the admin passwords you will need to contact the help desk. The telephone numbers are contained in the "Help Desk" supplement. Passwords are not covered by your warranty and a charge will be made for assistance.

Brief overview of security functions

Security functions	Type of protection	Preparation
Kensington Lock	Mechanical	Fit and lock Kensington MicroSaver (accessory)
BIOS password protection	Password protection for <i>BIOS Setup</i> , operating system and hard disk with supervisor and user password. The passwords consist of a maximum of eight alphanumeric characters.	Specify at least one Supervisor password in the <i>BIOS Setup</i> and activate the password protection for the operating system and hard disk as desired.
Fingerprint sensor	Biometric	Install fingerprint software supplied
Integrated SmartCard reader slot	PIN and SmartCard protection for operating system	Install the corresponding software and use SmartCard (accessory).
Trusted Platform Module	Identification and authentication of the device	Define a supervisor password and activate the TPM in the <i>BIOS Setup</i> . TPM is referred as "Security Chip" in the <i>BIOS-Setup</i> .

Kensington Lock

The Tablet PC has a Kensington Lock mechanism for the Kensington MicroSaver. The Kensington MicroSaver, a sturdy steel cable, allows you to protect your Tablet PC from theft. The Kensington MicroSaver is available as an accessory.

Configuring password protection in BIOS Setup



Before using the various password protection options for your data security in the *BIOS Setup*, please note the following:

Always remember your passwords, as you will no longer be able to access your *BIOS Setup* and/or your system if you forget both the user password and the supervisor password.



Passwords can be up to eight characters long. You can use all alphanumeric characters and need not distinguish between uppercase and lowercase characters.

Password protection for BIOS Setup (supervisor and user password)

We recommend that you print out the following instructions, as these cannot be displayed while setting the password.

You prevent unauthorised opening of the *BIOS Setup* with both the supervisor and the user password. The supervisor password gives you access to all functions of the *BIOS Setup*, while the user password only provides some of the functions. You can only set a user password if a supervisor password has already been assigned.

Setting the supervisor and user password

- ▶ Call up *BIOS Setup* and select the *Security* menu.
- ▶ Highlight the *Set Supervisor Password* field and press the Enter key.

With *Enter new Password* you will then be asked to enter a password.

- ▶ Enter the password and press the Enter key.

In *Re-Enter new Password* you are asked to confirm the password.

- ▶ Enter the password again and press the Enter key.

Notice: Changes have been saved provides you with confirmation that the new password has been saved.

- ▶ To assign the user password, highlight the *Set User Password* field and proceed exactly as when configuring the supervisor password.

If you do not want to make any other settings, you can exit *BIOS Setup*.

- ▶ Select the *Exit Saving Changes* option in the *Exit* menu.

The Tablet PC is rebooted and the new password is effective. If you now want to open the *BIOS Setup*, you must first enter your supervisor or user password. Please note that you only have access to a few BIOS settings with the user password.

Changing the supervisor or user password

- ▶ Call *BIOS Setup* up again and select the *Security* menu.

When changing the password, proceed exactly as for password assignment.

You can only change the supervisor password when you have logged into the *BIOS Setup* with the supervisor password.

Cancelling passwords

To cancel a password (without setting a new password) perform the following steps:

- ▶ Call up *BIOS Setup* and select the *Security* menu.
- ▶ Highlight the *Set Supervisor Password* or *Set User Password* field and press the Enter key.

With *Enter new Password* you will then be asked to enter a password.

- ▶ Press the Enter key twice.
- ▶ Select the *Exit Saving Changes* option in the *Exit* menu.

The Tablet PC is rebooted and the password is cancelled.

With the supervisor password you simultaneously deactivate the user password.

Password protection for starting the operating system



You can also use the supervisor password or the user password you have assigned in the *BIOS Setup* (see "Setting the supervisor and user password") to prevent the operating system from being started up.

Activating system protection

- ▶ Call up *BIOS Setup* and select the *Security* menu.
- ▶ If you have not yet assigned the BIOS passwords, you can define the supervisor and the user password now if you wish (see "Setting the supervisor and user password").
- ▶ Highlight the *Password on Boot* field and press the Enter key.
- ▶ Select the *Every Boot* option and press the Enter key.

If you do not want to make any other settings, you can exit *BIOS Setup*.

- ▶ Select the *Exit Saving Changes* option in the *Exit* menu.

The Tablet PC reboots and you are asked to enter your password (the supervisor or user password).

Deactivating system protection

- ▶ Call up *BIOS Setup* and select the *Security* menu.
- ▶ Highlight the *Password on Boot* field and press the Enter key.
- ▶ Select *Disabled* and press the Enter key.

If you do not want to make any other settings, you can exit *BIOS Setup*.

- ▶ Select the *Exit Saving Changes* option in the *Exit* menu.

The Tablet PC reboots and there is no longer any password protection for the operating system.

Password protection for hard disk



The hard disk password prevents unauthorised access to the hard disk drives and is checked internally each time the system is booted. The condition for this is that you have assigned at least the supervisor password.

Activating hard disk protection

- ▶ Call up *BIOS Setup* and select the *Security* menu.

If you have not yet assigned the BIOS passwords, you can define the supervisor and the user password now if you wish (see "Setting the supervisor and user password").

- ▶ Highlight the *Hard Disk Security* field and select the *Enabled* option.

If you do not want to make any other settings, you can exit *BIOS Setup*.

- ▶ Select the *Exit Saving Changes* option in the *Exit* menu.

The Tablet PC reboots and your hard disk is now protected with a password.

Deactivating hard disk protection

- ▶ Call up *BIOS Setup* and select the *Security* menu.

- ▶ Highlight the *Hard Disk Security* field and select the *Disabled* option.

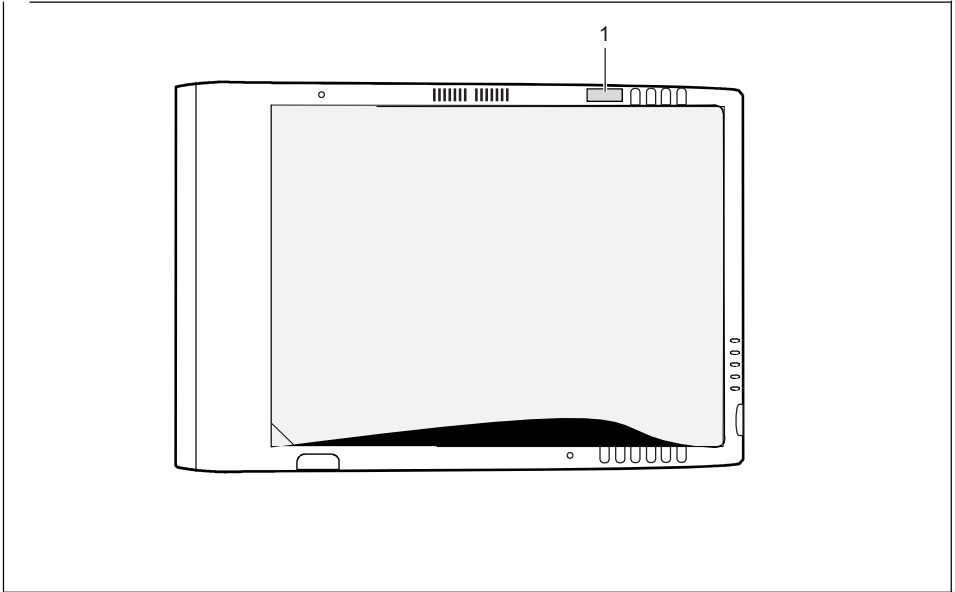
If you do not want to make any other settings, you can exit *BIOS Setup*.

- ▶ Select the *Exit Saving Changes* option in the *Exit* menu.

The Tablet PC reboots and there is no longer any password protection for the hard disk.

Configuring the fingerprint sensor (optional)

Your Tablet PC is equipped with a fingerprint sensor. The fingerprint sensor is able to record the image of a fingerprint. This image is evaluated with additional software and can be used in place of a password. The software for the fingerprint sensor is saved on the hard disk in the *C:\AddOn* (Windows XP) or *C:\Fujitsu* (Windows Vista) directory and must be installed.



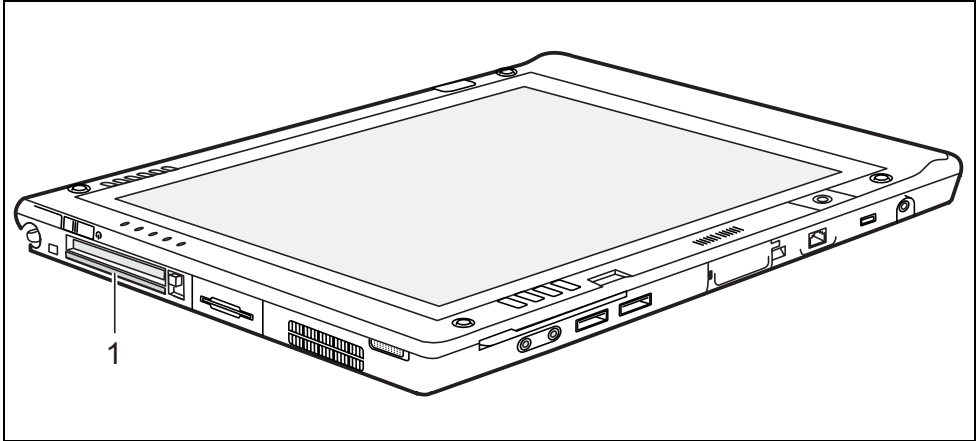
1 = Fingerprint sensor

The fingerprint software can be found at *C:\AddOn* (Windows XP) or *C:\Fujitsu* (Windows Vista) or on the supplied CD.

- ▶ You must install the fingerprint software in order to be able to use the fingerprint sensor.

Using the SmartCard reader

Your tablet PC features an integrated SmartCard reader. With the appropriate software you can use your SmartCard as an alternative to password protection, but also as a digital signature, for encrypting your e-mails or for home banking.



1 = SmartCard reader

SmartCards

SmartCards are not supplied as standard equipment. You can use all SmartCards that comply with the ISO standard 7816-1, -2, -3 and -4.

We recommend that you always use two SmartCards. Always keep one of the SmartCards in a safe place if you are carrying the other SmartCard with you.



The SmartCard can only be used with a PIN so protection is maintained even when the SmartCard is lost. In order to maximise your security, the SmartCard, which is available as an accessory, is disabled if three incorrect attempts are made to enter the PIN.

The first time you use your SmartCard you must enter the preset PIN provided by the SmartCard manufacturer or your system administrator.

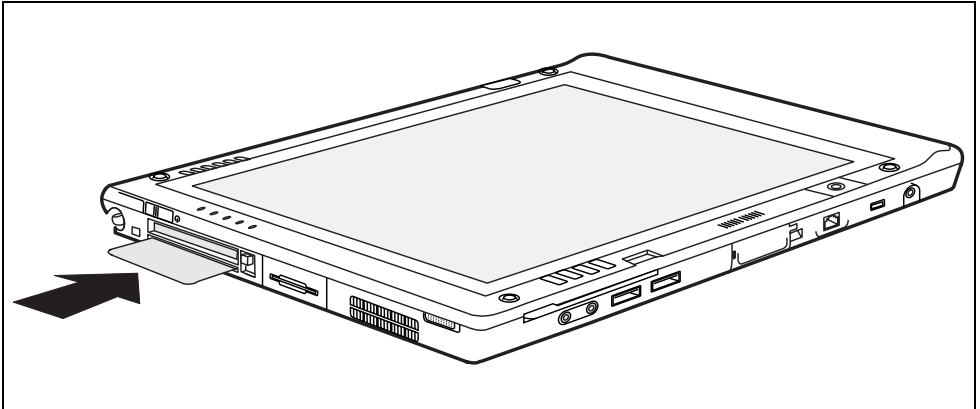
Please refer to the software documentation for information about which SmartCards are supported by the software.

Inserting a SmartCard



Do not use force when inserting and removing the SmartCard.

Make sure that foreign objects do not fall into the SmartCard reader.



- ▶ Slide the SmartCard into the SmartCard reader with the chip facing upwards and to the front. When the SmartCard is properly inserted, it protrudes by approximately 2 cm.

Using Trusted Platform Module (optional)



This installation is only necessary in Windows XP. TPM is already integrated into Windows Vista.

A Trusted Platform Module (TPM), a special security chip, can optionally be integrated into your device. The TPM functions like a permanently installed SmartCard. However, the TPM is not linked to a user like a SmartCard, but to a hardware system. The TPM contains a unique code. As a result, the TPM is used to uniquely identify and authenticate the device.

Requirement: The supervisor password is set.

To use the TPM, you must activate the TPM in the *BIOS Setup*. The TPM is activated by selecting the *Enabled* option for *Security Chip* in the *Security* menu in the *Security Chip Setting* sub-menu.

If you have activated the TPM, the *Clear Security Chip* option appears. You can use this option to delete the key in the TPM. However, you can then no longer access the data that you encrypted with the key.

When the TPM is activated, together with the BIOS it checks the trustworthiness of all hardware components.

For example, with the TPM activated together with software that has TPM capability, data can be generated which can only be read or run on this Tablet PC. Support for security protocols, such as SSL (Secure Socket Layer) for Internet connections, IPSec (LAN encryption), S-MIME (e-mail encryption, WLAN encryption and others) is also possible.

You will find software that enhances the security of your system when used in conjunction with the TPM either on the hard disk (installation via *Start – All Programs – AddOn (Windows XP)* or *Start – All Programs – Fujitsu (Windows Vista)*) or on the supplied TPM software CD/DVD. Information on using the TPM and the related software is also provided on the TPM software CD/DVD.



If you are using TPM and the software on the TPM software CD/DVD, we strongly recommend that you use the emergency restore function and create a medium (e.g. floppy disk, network drive) for restoring the system in emergencies.

The emergency restore medium is the only way to access your encrypted data if a security key is lost due to hardware faults for example.

Troubleshooting and tips



Refer to the safety information in the "Safety" manual, when connecting or disconnecting cables.

Help if problems occur

Should you ever have a problem with your computer that you cannot solve yourself, in many cases you can solve it quickly using the *SystemDiagnostics* program pre-installed on your computer.

- ▶ To start the SystemDiagnostics program, click *Start - Programs - Fujitsu Siemens Computers - SystemDiagnostics*.

or

- ▶ To start the *SystemDiagnostics* program, click *Start - Programs - Fujitsu - SystemDiagnostics*.
- ▶ If a problem is detected during the test run, the *SystemDiagnostics* program outputs a code (e.g. DIFS code YXXX123456789123).
- ▶ Take a note of this DIFS code and the ID number of your device. The ID number can be found on the type rating plate on the back of the casing.
- ▶ If you still need assistance resolving the problem, contact the relevant Help Desk for your country (see the Help Desk List or go to <http://ts.fujitsu.com/support>). Have the ID/serial No. of your system and the DIFS code ready.

Troubleshooting

User and/or supervisor password forgotten

Cause	Troubleshooting
Forgotten password	<ul style="list-style-type: none">▶ If you have forgotten your user password, enter the supervisor password or contact your system administrator.▶ If the supervisor password is also no longer available, please contact our Hotline/Help Desk. You must provide proof of ownership for the notebook. The helpdesk will then refer you to our service partner, who will unlock your notebook (for a charge).

SmartCard reader is not recognised

Cause	Troubleshooting
Chip card inserted incorrectly.	<ul style="list-style-type: none"> ▶ Make sure you have inserted your SmartCard into the SmartCard reader with the chip facing upwards. ▶ Check whether the SmartCard you are using is supported. Your SmartCard must comply with the ISO standard 7816-1, -2, -3 and -4.

SmartCard PIN forgotten

Cause	Troubleshooting
PIN forgotten	<ul style="list-style-type: none"> ▶ If you are working in a network, contact your system administrator, who can unlock your notebook with a Supervisor PIN.

SmartCard lost

Cause	Troubleshooting
SmartCard lost	<ul style="list-style-type: none"> ▶ If you are working in a network, contact your system administrator, who can boot your notebook with a Supervisor SmartCard.

System will not resume operation

Cause	Troubleshooting
The battery is faulty.	<ul style="list-style-type: none"> ▶ Switch the notebook off. ▶ Install a charged battery.
The battery is flat.	<ul style="list-style-type: none"> ▶ Charge the battery. or ▶ Install a charged battery. or ▶ Connect the notebook to a mains outlet using the mains adapter.
Critical temperature limit exceeded.	<ul style="list-style-type: none"> ▶ Move the Tablet PC to a cooler location. ▶ Allow the device to cool to the permitted temperature.

Display screen is blank or difficult to read

Cause	Troubleshooting
Brightness set too low.	<ul style="list-style-type: none"> ▶ Press the [Fn] button twice to open the <i>Fujitsu Menu</i>. <p>This menu contains the tab for changing the brightness.</p>
Power saving has been activated (monitor is blank).	<ul style="list-style-type: none"> ▶ Tap on the display screen to reactivate the display. <p>Note that this is a normal power-saving feature.</p>

The cursor does not correctly follow the pen movements

Cause	Troubleshooting
Pen incorrectly calibrated	<p>Windows XP:</p> <ul style="list-style-type: none"> ▶ Calibrate the pen under <i>Tablet and Pen Settings</i> in the Control Panel, see "Calibrating the pen". <p>Windows Vista:</p> <ul style="list-style-type: none"> ▶ Calibrate the pen under <i>Mobile PC - Tablet PC Settings</i> in the Control Panel, see "Calibrating the pen". ▶ Check whether the battery is installed correctly in its compartment. ▶ Switch the notebook on.

Infrared data transfer is not working

Cause	Troubleshooting
No visual contact between Tablet PC and infrared receiver.	<ul style="list-style-type: none"> ▶ Ensure visual contact between Tablet PC and infrared receiver.
Distance between Tablet PC and infrared receiver > 1 m.	<ul style="list-style-type: none"> ▶ Reduce the distance between the Tablet PC and the infrared receiver.
The infrared receiver on the Tablet PC is not in the effective field (approx. 30° horizontal and approx. 15° vertical) of the infrared interface on the other device.	<ul style="list-style-type: none"> ▶ Check the effective field.
The other device does not comply with the IrDA standard, revision 1.1 or 1.0.	<ul style="list-style-type: none"> ▶ Only use devices that comply with the IrDA standard, revision 1.1 or 1.0.

Device is not responding to the pen

Cause	Troubleshooting
Application or system crashed	<ul style="list-style-type: none"> ▶ Close the application or restart the Tablet PC by switching it on/off or with a warm boot. ▶ If the system responds to a keyboard but not to a pen, contact your sales partner or hotline/help desk.

Speaker/headphone volume is too low

Cause	Troubleshooting
Volume set incorrectly	<p>Windows XP:</p> <ul style="list-style-type: none"> ▶ Make sure that the sound driver is correctly installed under <i>Control Panel - System - Device Manager</i>. <p>Windows Vista:</p> <ul style="list-style-type: none"> ▶ Make sure that the sound driver is correctly installed under <i>Control Panel - System and Maintenance - Device Manager</i>. ▶ Use the shortcut Fn + F3 to check if the loudspeakers are switched off. ▶ Double-click on the volume indicator in the task bar and adjust the volume. <p>or</p> <ul style="list-style-type: none"> ▶ Use the shortcut Fn + F8 or Fn + F9 to check the volume level.
Incorrect audio settings	<ul style="list-style-type: none"> ▶ Check the audio settings of the sound card or the audio driver.

Technical data

STYLISTIC ST6012

The following table provides general hardware specifications of the Tablet PC.

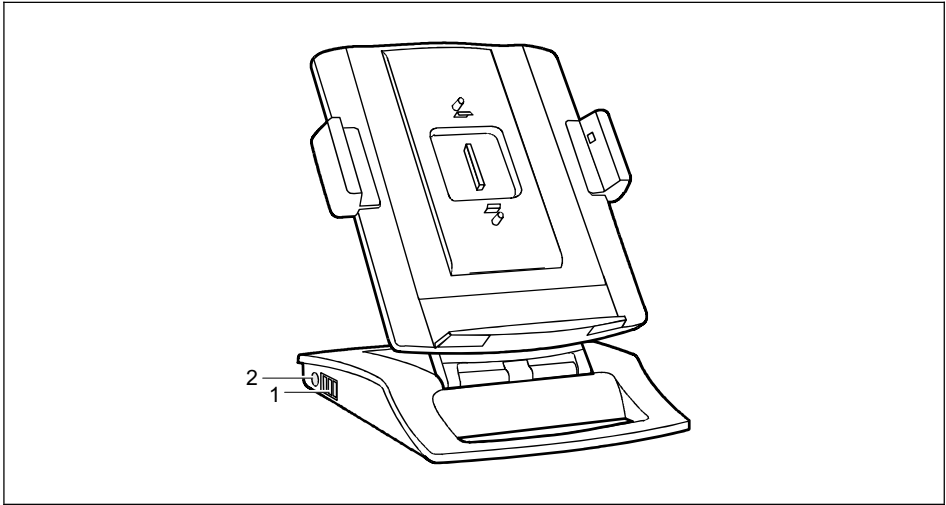
Dimensions and weight	
Width / Depth / Height	220 x 325 x 23.8-31.7 mm
Weight	1.6 kg
Processor	
CPU	SU 9400
Chipset	Intel GS 45 + ICH9
Storage	
Main memory	<ul style="list-style-type: none">• DDR3 / 667 MHz• 2 x 204-Pin SO memory modules 1 GB and 2 GB module configurations available, with a system maximum of 4 GB
Monitor	
Display model	12.1 inch wide XGA: transmissive, optimised for indoor use
Graphics controller	integrated in the Intel GS45 Chipset
Battery	
Main battery	<ul style="list-style-type: none">• Removable, Lithium ion• Replaceable in Suspend mode• 6 cells or 9 cells (optional)• 10.8 V; 5200 mAh (6 cells) 10.8 V; 7800 mAh (9 cells)• Charge time: Suspend/Off: 6 cells approx. 3.7 hours (90%) and approx. 4.5 hours (100%); 9 cells approx. 4.7 hours (90%) and approx. 6 hours (100%);• Battery life: U to 6 hours (6 cells) and up to 10 hours (9 cells) (The battery life depends on the operating system, BIOS and energy-saving settings and applications used.)

Technical data

Buffer battery	<ul style="list-style-type: none">• 6-cell NiMH, 35 mAh• Battery life (when system is receiving power from buffer battery alone in Suspend-to-RAM mode): Approx. 5 minutes (with full charge)
Power adapter	Autosensing 100 V - 240 V, 50 Hz - 60 Hz primary, 16 V, 3.75 A secondary, power draw 60 W
Environmental conditions	
Temperature	Operation: 5 °C ... 35 °C Not in operation: -15 °C ... 60 °C
Humidity	Operation: 20 – 85% non-condensing Storage: 8 – 85% non-condensing
Official approval specifications	
Emissions	<ul style="list-style-type: none">• EN55022 (CISPR22), Class B• ETSI EN 300-328 (for models with WLAN only)• ICES-003
Immunity	<ul style="list-style-type: none">• EN55024 (1998)• ETSI EN 301-489-17 V.1.1.1 (2000- 9) (for models with WLAN only)
Security	EN60950

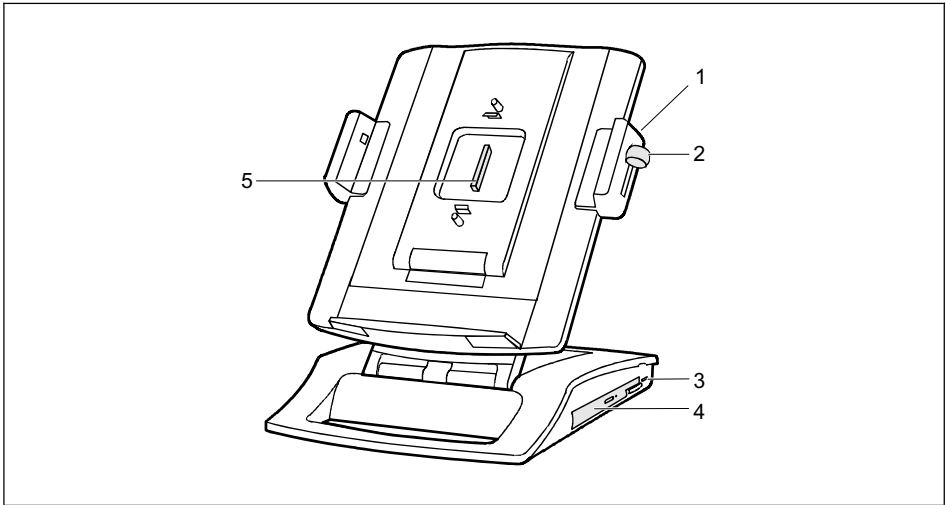
Tablet Dock (optional)

The Tablet Dock is available as optional accessory. Below is a brief description of the Tablet Dock.



1 = USB ports

2 = DC input connector (DC IN)



1 = Release button

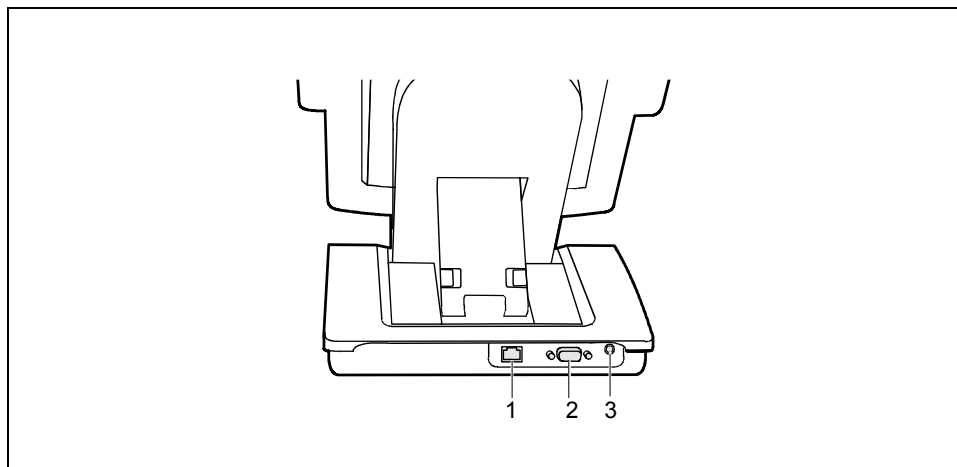
2 = Locking slide

3 = Kensington lock device

4 = CD/DVD drive

5 = System interface for the Tablet PC

Tablet Dock (optional)



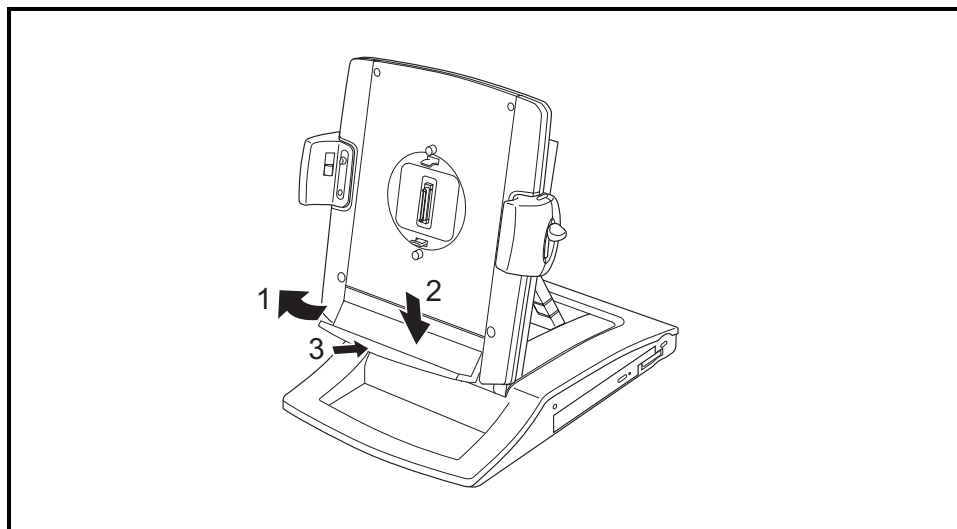
1 = LAN port

2 = Screen port

3 = Audio Line Out

Inserting and removing Tablet PC You can use a Tablet-PC STYLISTIC ST with two different battery dimensions in the Tablet Dock. With the larger battery you must adapt the Tablet Dock accordingly.

Enlarging mounting surface on Tablet Dock

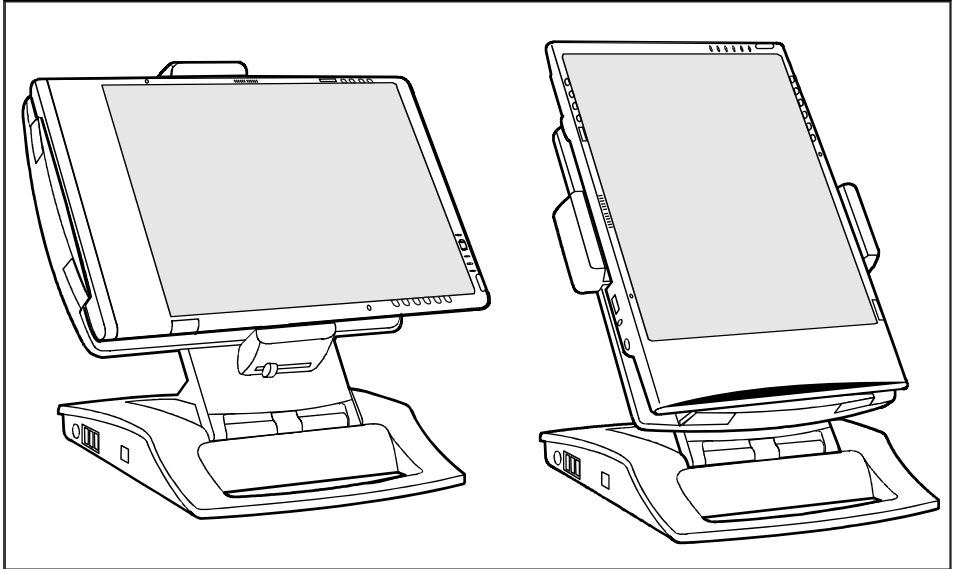


► Grip the protruding edge and pull it in the direction of the arrow (1) until the strip is released.

► Pull the strip downwards as far as possible (2) and lock it again (3).

Inserting the Tablet PC

- ▶ Insert the Tablet PC in the Tablet Dock so that the system interfaces interlock. Make sure that the locking slide is in the upper position.
- ▶ Slide the locking slide downwards.



Now that it has been locked, you can turn the Tablet PC in the Tablet Dock. You can operate the Tablet PC in a horizontal or vertical position.

Removing the Tablet PC

- ▶ Press the release button on the Tablet PC while pushing the locking slide upwards. The lock is released.
- ▶ Lift the Tablet PC out of the Tablet Dock.

Manufacturer's notes



Changes or modifications not expressly approved by Fujitsu Technology Solutions could void this user's authority to operate the equipment.

Declarations of Conformity

You will find the Declarations of Conformity for this device on the Internet at:

<http://ts.fujitsu.com/products/certificates.html>.

Fujitsu Technology Solutions hereby declares that this device is in compliance with the essential requirements and other relevant provisions of Directive 1999/5/EC.

CE marking



CE marking for devices without wireless component

The shipped version of this device complies with the requirements of the EEC directives 89/336/EEC "Electromagnetic compatibility" and 73/23/EEC "Low voltage directive".



CE marking for devices with radio component

This equipment complies with the requirements of Directive 1999/5/EC of the European Parliament and Commission from 9 March, 1999 governing Radio and Telecommunications Equipment and mutual recognition of conformity.

This equipment can be used in the following countries:

Belgium	Denmark	Germany	Estonia
Finland	France	Greece	UK
Ireland	Iceland	Italy	Latvia
Liechtenstein	Lithuania	Luxemburg	Malta
Netherlands	Norway	Austria	Poland
Portugal	Sweden	Switzerland	Slovakia
Slovenia	Spain	Czech Republic	Hungary
Cyprus			

Contact the corresponding government office in the respective country for current information on possible operating restrictions. If your country is not included in the list, then please contact the corresponding supervisory authority as to whether the use of this product is permitted in your country.



You will find the Declaration of Conformity for this Tablet PC on the Internet at:

<http://ts.fujitsu.com/products/certificates.html>.

Regulatory information disclaimers for devices with wireless LAN/Bluetooth

Installation and use of a wireless LAN/ Bluetooth device must be in strict accordance with the instructions included in the user documentation provided with the product. The user documentation is provided with the product. Any changes or modifications made to this device that are not expressly approved by the manufacturer may void the user's authority to operate the equipment. The manufacturer is not responsible for any radio or television interference caused by unauthorised modification of this device, or the substitution or attachment of connecting cables and equipment other than those specified by the manufacturer. It is the responsibility of the user to correct any interference caused by such unauthorised modification, substitution or attachment. The manufacturer and its authorised resellers or distributors will assume no liability for any damage or violation of government regulations arising from failure to comply with these guidelines.

Regulatory notices



If there is no FCC logo and also no FCC ID on the device then this device is not approved by the Federal Communications Commission (FCC) of the USA. Although it is not explicitly forbidden to travel the US trading area carrying this device, but to avoid trouble at customs clearance Fujitsu Technology Solutions GmbH recommends not to bring this device into the US trading area.

Regulatory information for Tablet PCs without radio device

NOTICE:

Changes or modifications not expressly approved by Fujitsu Technology Solutions could void this user's authority to operate the equipment.

Notice to Users of Radios and Television

These limits are designed to provide reasonable protection against harmful interference in a residential installation.

This equipment generates, uses, and can radiate radio frequency energy and, if not installed and used in accordance with the instructions, may cause harmful interference to radio communications. However, there is no guarantee that interference will not occur in a particular installation. If this equipment does cause harmful interference to radio or television reception, which can be determined by turning the equipment off and on, the user is encouraged to try to correct the interference by one or more of the following measures:

- Reorient or relocate the receiving antenna.
- Increase the separation between the equipment and receiver.
- Connect the equipment into an outlet that is on a different circuit than the receiver.
- Consult the dealer or an experienced radio/TV technician for help.

Shielded interconnect cables must be employed with this equipment to ensure compliance with the pertinent RF emission limits governing this device.

Notice to Users of the US Telephone Network

Your Tablet PC may be supplied with an internal modem which complies with Part 68 of the FCC rules. On this Tablet PC is a label that contains the FCC Registration Number and the Ringer Equivalence Number (REN) for this equipment among other information. If requested, the user must provide their telephone company with the following information:

- The telephone number to which the Tablet PC is connected.
- The Ringer Equivalence Number (REN) for this equipment.
- The equipment requires a standard modular jack type USOC RJ-11C which is FCC Part 68 compliant.
- The FCC Registration Number.

This equipment is designed to be connected to the telephone network or premises wiring using a standard modular jack type USOC RJ-11C which is FCC Part 68 compliant and a line cord between the modem and the telephone network with a minimum of 26AWG.

The REN is used to determine the number of devices that you may connect to your telephone line and still have all of those devices ring when your number is called. Too many devices on one line may result in failure to ring in response to an incoming call. In most, but not all, areas the sum of the RENs of all of the devices should not exceed five (5). To be certain of the number of devices you may connect to your line, as determined by the RENs, contact your local telephone company.

If this equipment causes harm to the telephone network, your telephone company may discontinue your service temporarily. If possible, they will notify you in advance. If advance notice is not practical they will notify you as soon as possible. You will also be advised of your right to file a complaint with the FCC.

This fax modem also complies with fax branding requirements per FCC Part 68.

Your telephone company will probably ask you to disconnect this equipment from the telephone network until the problem is corrected and you are sure that the equipment is not malfunctioning. This equipment may not be used on coin-operated telephones provided by your telephone company. Connection to party lines is subject to state tariffs. Contact your state's public utility commission, public service commission or corporation commission for more information.

This equipment includes automatic dialing capability. When programming and/or making test calls to emergency numbers:

- Remain on the line and briefly explain to the dispatcher the reason for the call.
- Perform such activities in off-peak hours, such as early morning or late evening.

FCC rules prohibit the use of non-hearing aid compatible telephones in the following locations or applications:

- All public or semipublic coin-operated or credit card telephones.
- Elevators, highways, tunnels (automobile, subway, railroad or pedestrian) where a person with impaired hearing might be isolated in an emergency.
- Places where telephones are specifically installed to alert emergency authorities such as fire, police or medical assistance personnel.
- Hospital rooms, residential health care facilities, convalescent homes and prisons.
- Hotel, motel or apartment lobbies.
- Stores where telephones are used by patrons to order merchandise.
- Public transportation terminals where telephones are used to call taxis or to reserve lodging or rental cars.
- In hotel and motel rooms as at least ten percent of the rooms must contain hearing aid-compatible telephones or jacks for plug-in hearing aid compatible telephones which will be provided to hearing impaired customers on request.

DOC (INDUSTRY CANADA) NOTICES

Notice to Users of Radios and Television

This Class B digital apparatus meets all requirements of Canadian Interference-Causing Equipment Regulations.

CET appareil numérique de la class B respecte toutes les exigence du Règlement sur le matériel brouilleur du Canada.

Notice to Users of the Canadian Telephone Network

NOTICE:

This equipment meets the applicable Industry Canada Terminal Equipment Technical Specifications.

This is confirmed by the registration number. The abbreviation, IC, before the registration number signifies that registration was performed based on a Declaration of Conformity indicating that Industry Canada technical specifications were met. It does not imply that Industry Canada approved the equipment. Before connecting this equipment to a telephone line the user should ensure that it is permissible to connect this equipment to the local telecommunication facilities. The user should be aware that compliance with the certification standards does not prevent service degradation in some situations.

Repairs to telecommunication equipment should be made by a Canadian authorized maintenance facility. Any repairs or alterations not expressly approved by Fujitsu or any equipment failures may give the telecommunication company cause to request the user to disconnect the equipment from the telephone line.

NOTICE:

The Ringer Equivalence Number (REN) for this terminal equipment is 0.0. The REN assigned to each terminal equipment provides an indication of the maximum number of terminals allowed to be connected to a telephone interface. The termination on an interface may consist of any combination of devices subject only to the requirement that the sum of the Ringer Equivalence Numbers of all the devices does not exceed five.



CAUTION:

For safety, users should ensure that the electrical ground of the power utility, the telephone lines and the metallic water pipes are connected together. Users should NOT attempt to make such connections themselves but should contact the appropriate electric inspection authority or electrician. This may be particularly important in rural areas.

AVIS Aux Utilisateurs Du Réseau Téléphonique Canadien

AVIS : AVIS: Le présent matériel est conforme aux spécifications techniques d'Industrie Canada applicables au matériel terminal. Cette conformité est confirmée par le numéro d'enregistrement. Le sigle IC, placé devant le numéro d'enregistrement, signifie que l'enregistrement s'est effectué conformément à une déclaration de conformité et indique que les spécifications techniques d'Industrie Canada ont été respectées. Il n'implique pas qu'Industrie Canada a approuvé le matériel.

Avant de connecter cet équipement à une ligne téléphonique, l'utilisateur doit vérifier s'il est permis de connecter cet équipement aux installations de télécommunications locales. L'utilisateur est averti que même la conformité aux normes de certification ne peut dans certains cas empêcher la dégradation du service.

Les réparations de l'équipement de télécommunications doivent être effectuées par un service de maintenance agréé au Canada. Toute réparation ou modification, qui n'est pas expressément approuvée par Fujitsu, ou toute défaillance de l'équipement peut entraîner la compagnie de télécommunications à exiger que l'utilisateur déconnecte l'équipement de la ligne téléphonique.

AVIS : L'indice d'équivalence de la sonnerie (IES) du présent matériel est de 0.0. L'IES assigné à chaque dispositif terminal indique le nombre maximal de terminaux qui peuvent être raccordés à une interface téléphonique. La terminaison d'une interface peut consister en une combinaison quelconque de dispositifs, à la seule condition que la somme d'indices d'équivalence de la sonnerie de tous les dispositifs n'excède pas 5.



AVERTISSEMENT:

Pour assurer la sécurité, les utilisateurs doivent vérifier que la prise de terre du service d'électricité, les lignes téléphoniques et les conduites d'eau métalliques sont connectées ensemble. Les utilisateurs NE doivent PAS tenter d'établir ces connexions eux-mêmes, mais doivent contacter les services d'inspection d'installations électriques appropriés ou un électricien. Ceci peut être particulièrement important en régions rurales.

UL Notice

This unit requires an AC adapter to operate. Only use a UL Listed Class 2 adapter. The correct output rating is indicated on the AC adapter label. Refer to the illustration below for the correct AC Adapter output polarity:



CAUTION:

To reduce the risk of fire, use only 26AWG or larger telecommunications line cord.

For Authorized Repair Technicians Only



CAUTION:

For continued protection against risk of fire, replace only with the same type and rating fuse.



WARNING:

Danger of explosion if Lithium (CMOS) battery is incorrectly replaced. Replace only with the same or equivalent type recommended by the manufacturer.

Dispose of used batteries according to the manufacturer's instruction.

FCC Regulatory information for Tablet PCs with radio device

Federal Communications Commission statement

This device complies with Part 15 of FCC Rules.

Operation is subject to the following two conditions:

- (1) this device may not cause interference, and
- (2) this device must accept any interference, including interference that may cause undesired operation of this device.

FCC Interference Statement

This equipment has been tested and found to comply with the limits for a Class B digital device, pursuant to Part 15 of the FCC Rules. These limits are designed to provide reasonable protection against harmful interference in a residential installation. This equipment generates, uses, and can radiate radio frequency energy. If not installed and used in accordance with the instructions, it may cause harmful interference to radio communications.

However, there is no guarantee that interference will not occur in a particular installation.

If this equipment does cause harmful interference to radio or television reception, which can be determined by turning the equipment off and on, the user is encouraged to try and correct the interference by one or more of the following measures:

- Reorient or relocate the receiving antenna.
- Increase the distance between the equipment and the receiver.
- Connect the equipment to an outlet on a circuit different from the one the receiver is connected to.
- Consult the dealer or an experienced radio/TV technician for help.

Please note the following regulatory information related to the optional radio device.

FCC Radio Frequency Exposure statement

This radio device has been evaluated under FCC Bulletin OET 65C and found compliant with the requirements as set forth in CFR 47 Sections 2.1091, 2.1093, and 15.247 (b) (4) addressing RF Exposure from radio frequency devices. The radiated output power of this radio device is far below the FCC radio frequency exposure limits. Nevertheless, this device shall be used in such a manner that the potential for human contact during normal operation is minimized. When using this device, a certain separation distance between antenna and nearby persons must be maintained to ensure RF exposure compliance. In order to comply with RF exposure limits established in the ANSI C95.1 standards, the distance between the antennas and the user should not be less than 20 cm (8 inches).

Regulatory Notes and Statements

Radio device, health and authorisation for use

Radio-frequency electromagnetic energy is emitted from the wireless devices. The energy levels of these emissions, however, are far much less than the electromagnetic energy emissions from wireless devices such as mobile phones. Radio devices are safe for use by consumers because they operate within the guidelines found in radio frequency safety standards and recommendations.

The use of the radio devices may be restricted in some situations or environments, such as:

- on board an airplane, or
- in an explosive environment, or
- in situations where the interference risk to other devices or services is perceived or identified as harmful.

In cases in which the policy regarding use of radio devices in specific environments is not clear (e.g., airports, hospitals, chemical/oil/gas industrial plants, private buildings), obtain authorization to use these devices prior to operating the equipment.

Regulatory Information/Disclaimers

Installation and use of this radio device must be in strict accordance with the instructions included in the user documentation provided with the product. Any changes or modifications made to this device that are not expressly approved by the manufacturer may void the user's authority to operate the equipment. The manufacturer is not responsible for any radio or television interference caused by unauthorized modification of this device, or the substitution or attachment of connecting cables and equipment other than those specified by the manufacturer. It is the responsibility of the user to correct any interference caused by such unauthorized modification, substitution or attachment. The manufacturer and its authorized resellers or distributors will assume no liability for any damage or violation of government regulations arising from failure to comply with these guidelines.

Export restrictions

This product or software contains encryption code which may not be exported or transferred from the US or Canada without an approved US Department of Commerce export license. This device complies with Part 15 of FCC Rules, as well as ICES 003 B / NMB 003 B. Operation is subject to the following two conditions:

- (1) this device may not cause harmful interference, and
- (2) this device must accept any interference received, including interference that may cause undesirable operation.

Modifications not expressly authorized by Fujitsu Technology Solutions may invalidate the user's right to operate this equipment.

Index

- A**
 - Activating suspend mode 18
 - Agency approval specifications 69
 - Application buttons 11, 24
 - A 27
 - additional functions 29
 - Alt 25
 - B 27
 - ENT 27
 - ESC 27
 - Fn 27
- B**
 - Battery 12, 69
 - charging 35
 - energy saving 38
 - important notes 36
 - life 35
 - monitoring the charging level 36
 - self-discharge 35
 - Battery indicator 22
 - Battery maintenance 35
 - Battery release latch 12
 - Battery status meter 36
 - Battery, buffer battery 38
 - BIOS Setup 29
 - password protection 52
 - protect with password 52
 - Bluetooth
 - safety notes 4
 - switching module off 43
 - switching module on 43
 - Board, note 4
 - Brief overview, security functions 51
 - Brightness
 - adjusting, monitor 20
 - Buffer battery 38, 69
- C**
 - CE marking 77
 - Charging capacity, battery 35
 - Controls 11
 - Ctrl + Alt + Del 25
- D**
 - Device is not responding to the pen 67
 - Dimensions 69
 - DIMM memory module
 - installing 47
 - removing 45
- Display
 - Power supply 23
- Display Mode button 25
- Display screen blank or difficult to read 65
- DOC (INDUSTRY CANADA) NOTICES 80
- E**
 - E-Mail button 25
 - Energy saving, battery 38
 - Environmental conditions 69
 - ESD 4
- F**
 - Features 11
 - left side 13
 - Rear 13
 - right-hand side 14
 - Top side view 11
 - Underside 12
 - Fingerprint sensor 11
 - Fingerprint sensor (optional) 56
 - Fn button, "sticky" feature 27, 28
- H**
 - Hard disk indicator 22
 - Headphone port 13
 - Hibernate mode 17
- I**
 - Infrared data transfer is not working 65
 - Infrared interface 13
 - Infrared receiver, keyboard 11
 - Inserting a memory card 41
 - Inserting a PC card 39
 - Inserting a SmartCard 58
 - Installing a memory module 47
 - Installing the battery 37
 - Internet button 25
- K**
 - Kensington Lock 52
 - Kensington lock device 13
- L**
 - LAN port 13
 - Latch point, Tablet Dock 14
 - Life, battery 35

- M**
- Main memory, see Memory expansion
- Mains adapter
 - connecting 15
- Mains adapter, port 13
- Memory card
 - Memory Stick 41
 - Memory Stick PRO 41
 - Secure Digital I/O 41
 - slot 41
 - Slot 13
- Memory expansion 45 see Memory expansion
- Memory module, cover 12
- Microphone 11
- Microphone jack 13
- Mobile operation 8
- Monitor 69
 - cleaning 9
- Monitor port see screen port

- N**
- Navigation buttons 11, 28
 - additional functions 29
- Notational conventions 1
- Notes
 - battery 36

- O**
- OFF mode 18
- ON mode 17
- ON/OFF switch 11, 13
- Operation controls
 - left side 13
 - Rear 13
 - right-hand side 14
 - Top side view 11
 - Underside 12
- Orientation button 25
- Overheating, avoiding 9

- P**
- PC card
 - Eject button 13
 - slot 39
 - Slot 13
- Pen 13, 14
 - calibrating 33
 - Eyelet for pen cord 30
 - Installing a pen cord 34
 - Moving objects/windows 32
 - Moving the cursor 33
 - Opening the context menu 33
 - Pen tip 30
 - Replacing the pen tip 33
 - Rocker button 30
 - Selecting menu items 32
 - Starting programs 32
 - using 30
- Pen garage 13, 14
- Pen retention cord, anchorage 13
- Pen tip removing tool 33
- Power draw, system modes 17
- Power indicator 22, 23
- Power supply, indicator 23
- Powering up the Tablet PC 18
- Preparing for operation 15
- Processor 69
- Protecting the screen 5

- R**
- Radio component
 - safety notes 4
- Rechargeable battery, see also Battery
- Regulatory information 77
 - Tablet PCs with radio device 82
 - Tablet PCs without radio device 78
- Regulatory information for devices with wireless LAN/Bluetooth 78
- Removing a memory card 42
- Removing a memory module 45
- Removing a PC card 40
- Removing and installing the battery 36
- Removing the battery 37
- Resuming operation 20

- S**
- Safety notes 3
- Save-to-Disk see Hibernate mode
- Screen brightness, setting 20
- Screen port 13
- Screen protector 5
- Security functions 51
 - brief overview 51
- Self-discharge, battery 35
- Setting the pen 33
- Shutting down the system 18
- Signs and symbols 1
- SmartCard 57
 - Slot 13
- Status indicator panel 11
- Sticky feature, Fn button 27, 28
- Storage 69
- Storing the battery 35
- Suspend mode 17
- Suspend-to-RAM mode 17
- Switching off the Tablet PC 18

System modes 17
System will not resume operation 64

T

Tablet Dock, port 12
Tablet PC
 will not resume operation 64
Technical data, Tablet PC 69
Tips 63
TPM 58
Transport 8
Travel preparations 8
Troubleshooting 63
Trusted Platform Module 58

U

USB port 13
Using the SmartCard reader 57

V

Ventilation slots 13
Volume
 too low 67

W

Weight 69
Windows Advanced Options Menu 29
Wireless LAN
 safety notes 4
 switching off module 43
 switching on module 43