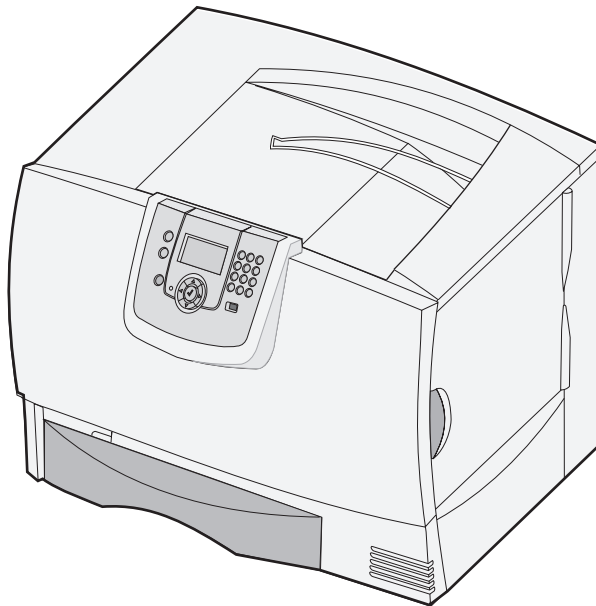




C780, C782

User's Guide



February 2007

Lexmark and Lexmark with diamond design are trademarks of Lexmark International, Inc., registered in the United States and/or other countries.

© 2007 Lexmark International, Inc.

740 West New Circle Road

Lexington, Kentucky 40550

Edition: February 2007

The following paragraph does not apply to any country where such provisions are inconsistent with local law: LEXMARK INTERNATIONAL, INC., PROVIDES THIS PUBLICATION "AS IS" WITHOUT WARRANTY OF ANY KIND, EITHER EXPRESS OR IMPLIED, INCLUDING, BUT NOT LIMITED TO, THE IMPLIED WARRANTIES OF MERCHANTABILITY OR FITNESS FOR A PARTICULAR PURPOSE. Some states do not allow disclaimer of express or implied warranties in certain transactions; therefore, this statement may not apply to you.

This publication could include technical inaccuracies or typographical errors. Changes are periodically made to the information herein; these changes will be incorporated in later editions. Improvements or changes in the products or the programs described may be made at any time.

References in this publication to products, programs, or services do not imply that the manufacturer intends to make these available in all countries in which it operates. Any reference to a product, program, or service is not intended to state or imply that only that product, program, or service may be used. Any functionally equivalent product, program, or service that does not infringe any existing intellectual property right may be used instead. Evaluation and verification of operation in conjunction with other products, programs, or services, except those expressly designated by the manufacturer, are the user's responsibility.

© 2007 Lexmark International, Inc.

All rights reserved.

UNITED STATES GOVERNMENT RIGHTS

This software and any accompanying documentation provided under this agreement are commercial computer software and documentation developed exclusively at private expense.

Trademarks

Lexmark MarkNet, and MarkVision are trademarks of Lexmark International, Inc., registered in the United States and/or other countries.

OptraImage is a trademark of Lexmark International, Inc.

PCL® is a registered trademark of the Hewlett-Packard Company. PCL is Hewlett-Packard Company's designation of a set of printer commands (language) and functions included in its printer products. This printer is intended to be compatible with the PCL language. This means the printer recognizes PCL commands used in various application programs, and that the printer emulates the functions corresponding to the commands.

Details relating to compatibility are included in the *Technical Reference*.

Other trademarks are the property of their respective owners.

Safety information

SAVE THESE INSTRUCTIONS

- Connect the power cord to a properly grounded electrical outlet that is near the product and easily accessible.



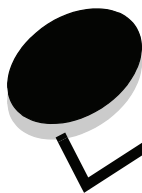
CAUTION: Do not set up this product or make any electrical or cabling connections, such as the power cord or telephone, during a lightning storm.

- Refer service or repairs, other than those described in the operating instructions, to a professional service person.
- This product is designed, tested, and approved to meet strict global safety standards with the use of specific Lexmark components. The safety features of some parts may not always be obvious. Lexmark is not responsible for the use of other replacement parts.
- Your product uses a laser.



CAUTION: Use of controls or adjustments or performance of procedures other than those specified herein may result in hazardous radiation exposure.

- Your product uses a printing process that heats the print media, and the heat may cause the media to release emissions. You must understand the section in your operating instructions that discusses the guidelines for selecting print media to avoid the possibility of harmful emissions.
- Refer service or repairs, other than those described in the operating instructions, to a professional service person.
- This product is designed, tested, and approved to meet strict global safety standards with the use of specific Lexmark components. The safety features of some parts may not always be obvious. Lexmark is not responsible for the use of other replacement parts.



Contents

Chapter 1: Installing and removing options	5
Installing a 2000-sheet drawer	6
Installing a 500-sheet drawer	8
Installing a duplex unit	9
Installing the printer	10
Installing an output expander	11
Installing a 5-bin mailbox	13
Installing a StapleSmart finisher	15
Installing memory and option cards	15
Removing memory and option cards	21
Chapter 2: Printing	26
Understanding the printer operator panel	26
Sending a job to print	28
Printing from a USB flash memory device	29
Canceling a print job	30
Printing a menu settings page	31
Printing a network setup page	31
Printing a font sample list	32
Printing a directory list	32
Loading the trays	33
Loading the multipurpose feeder	37
Printing on specialty media (transparencies, labels, other)	39
Linking trays	40
Linking output bins	41
Holding a job in the printer	41
Printing confidential jobs	42
Tips for successful printing	46
Chapter 3: Media specifications	48
Media guidelines	48
Storing paper	50
Storing media	53
Identifying media sources and specifications	54
Chapter 4: Maintaining the printer	60
Determining the status of supplies	60
Conserving supplies	61
Ordering supplies	61

Contents

Print cartridges	61
Toner waste container	62
Fuser and ITU	62
Recycling Lexmark products	63
Chapter 5: Clearing paper jams	64
Identifying jams	64
Access doors and trays	65
Understanding jam messages	66
Clearing the entire paper path	67
Clearing mailbox, finisher, or output expander jams (Area M)	71
Clearing fuser jams	71
Clearing image transfer unit jams	73
If you still need help	77
Chapter 6: Administrative support	78
Adjusting operator panel brightness and contrast	78
Disabling operator panel menus	78
Enabling operator panel menus	79
Restoring factory default settings	79
Adjusting Power Saver	80
Encrypting the disk	80
Setting security using the Embedded Web Server (EWS)	81
Black only mode	84
Aligning the image transfer unit	85
Using the Coverage Estimator	86
Size sensing	86
Configuring printer alerts	87
Chapter 7: Troubleshooting	88
Online customer support	88
Calling for service	88
Checking an unresponsive printer	88
Printing multi-language PDFs	88
Solving printing problems	89
Solving mailbox problems	90
Solving option problems	91
Solving paper feed problems	93
Solving print quality problems	93
Solving color quality problems	98
Chapter 8: Notices	102

1

Installing and removing options

You can customize your printer memory capacity and connectivity by adding optional cards and input devices. You can also use these instructions to help you locate an option for removal. Install the printer and any options you have purchased in the following order:



CAUTION: If you are installing options after setting up the printer, turn the printer off and unplug the power cord before continuing.

- High capacity feeder (2000-sheet drawer)
- Optional drawers
- Duplex unit
- Printer
- Output options

The instructions in this section cover the following options:

Input options

High capacity feeder (2000-sheet drawer)
Optional drawers
Duplex unit

Output options

Output expander
5-bin mailbox
StapleSmart™ finisher

Internal options

Memory cards

- Printer memory
- Flash memory
- Fonts

Firmware cards

- Bar Code
- IPDS and SCS/TNe
- PrintCryptio™

Note: Use a Phillips screwdriver to remove the system board access cover.

- Other internal options
 - Printer hard disk
 - RS-232 serial interface card
 - Parallel 1284-B interface card
 - Internal print servers (also called internal network adapters or INAs)

Note: Some options may not be available on some models.

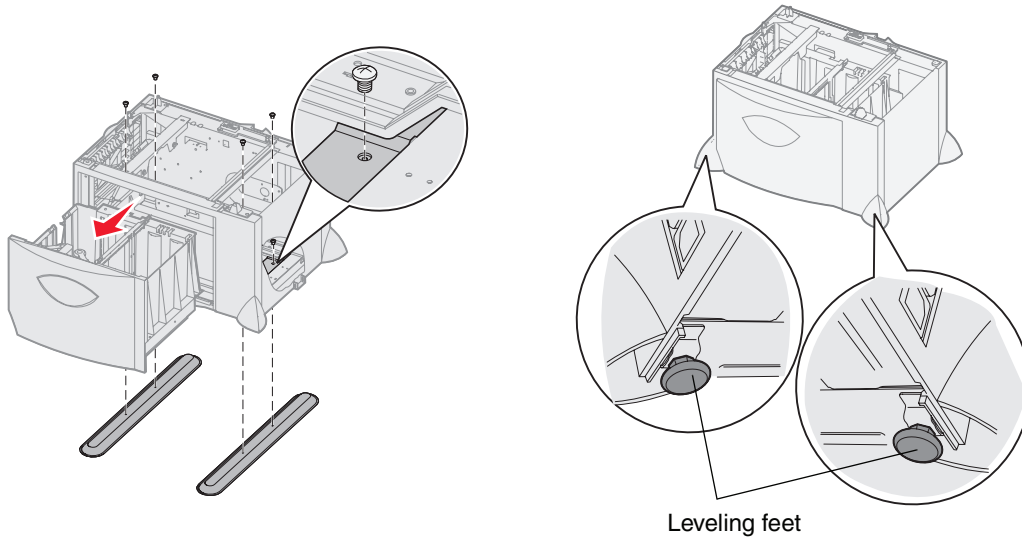
Installing a 2000-sheet drawer

Your printer supports one optional 2000-sheet drawer.

Warning: If you have an optional duplex unit and a 2000-sheet drawer, you must install a 500-sheet drawer between the duplex unit and the 2000-sheet drawer.

Note: The 2000-sheet drawer (High capacity feeder) does not conform to Ergonomics specification EK1-ITB 2006.

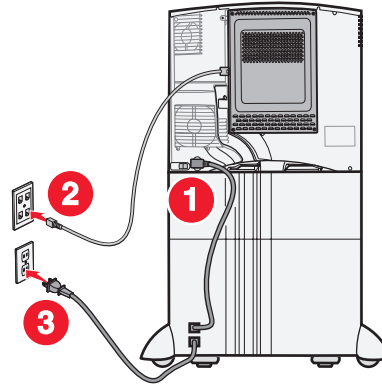
- 1 Unpack the 2000-sheet drawer and remove any packing material.
- 2 Place the drawer in the location you have chosen for your printer.
- 3 If you are installing a 500-sheet drawer on top of the 2000-sheet drawer, attach the stabilizing bars.
 - a Place the two stabilizing bars on the ground, narrow side up.
 - b Lower the 2000-sheet drawer onto the bars, making sure you align the holes in the drawer with the holes in the bars.
 - c Screw the bars into place using four screws (two screws for each bar).
- 4 Adjust the four leveling feet on the bottom of the drawer, if necessary.



Installing and removing options

- 5 Install the power cord for the 2000-sheet drawer.

Note: The HCIT power supply shall be capable of running off of AC line voltages from 90-256 VAC and from 47-63 Hz. The HCIT shall provide an IEC inlet power connector and an outlet power connector rated at 10 amperes.



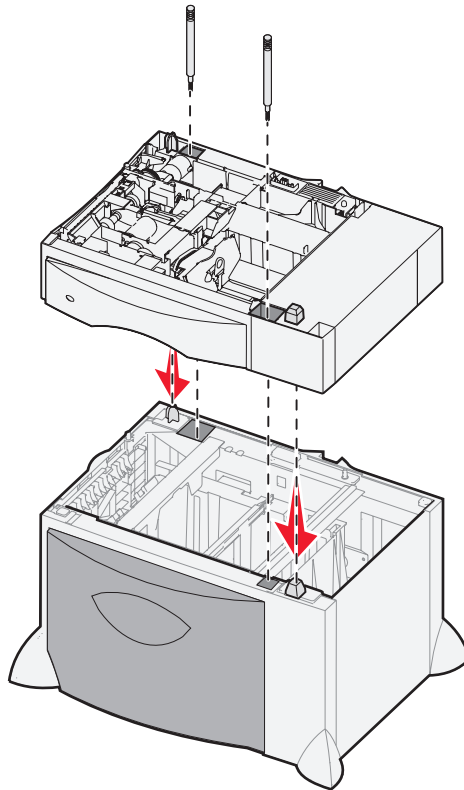
- 6 Continue with **Installing a 500-sheet drawer**.

Installing a 500-sheet drawer

Your printer supports up to three additional 500-sheet drawers. However, if you install a 2000-sheet drawer, you can only add one additional 500-sheet drawer.

Warning: If you have an optional duplex unit and a 2000-sheet drawer, you must install a 500-sheet drawer between the duplex unit and the 2000-sheet drawer.

- 1 Unpack the 500-sheet drawer and remove any packing material.



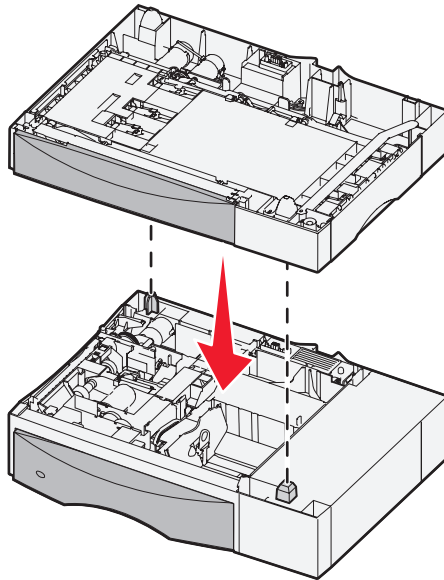
- 2 Place the drawer in the location you have chosen for your printer, or install it on another drawer. To install it on another drawer:
 - a Align the holes in the 500-sheet drawer with the positioning posts on the lower drawer.
 - b Lower the 500-sheet drawer into place. Make sure it is seated securely on the other drawer.
- 3 If you are installing a 500-sheet drawer on top of a 2000-sheet drawer, secure the drawers with stabilizing screws.
 - a Insert the screws through the holes next to the positioning posts on the 500-sheet drawer.
 - b Hand-tighten the screws.
Even when fully inserted, the screws allow some space between the drawers.
- 4 Install another 500-sheet drawer, or continue with **Installing a duplex unit**.

Installing a duplex unit

Your printer supports an optional duplex unit that lets you print on both sides of a sheet of paper.

Warning: If you have an optional duplex unit and a 2000-sheet drawer, you must install a 500-sheet drawer between the duplex unit and the 2000-sheet drawer.

- 1 Unpack the duplex unit and remove any packing material.

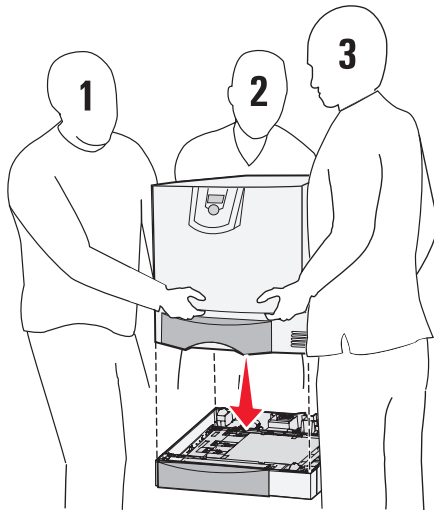


- 2 Place the duplex unit in the location you have chosen for your printer or install it on a 500-sheet drawer. To install it on a 500-sheet drawer:
 - a Align the positioning posts on the drawer with the holes in the duplex unit.
 - b Lower the duplex unit into place. Make sure it is seated securely on the drawer.

Installing the printer



CAUTION: The printer weighs 48–82 kg (105–181 lb). It requires at least three (3) people to lift it safely. Use the printer handholds to lift it, do not lift by the front of the printer, and make sure your fingers are not under the printer when you set it down.



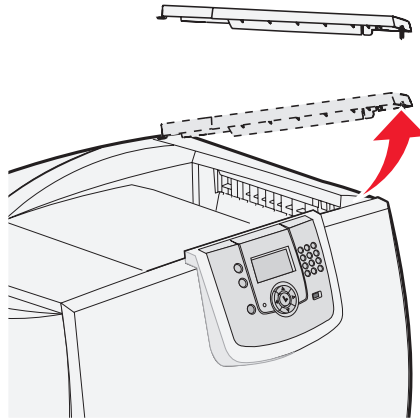
- 1 Unpack the printer.
- 2 Place the printer on the duplex unit or 500-sheet drawer:
 - a Align the positioning posts on the duplex or 500-sheet drawer with the holes in the printer.
 - b Lower the printer into place. Make sure it is seated securely.

Installing an output expander

Your printer supports an optional output expander that lets you stack up to 650 sheets of paper in one bin.

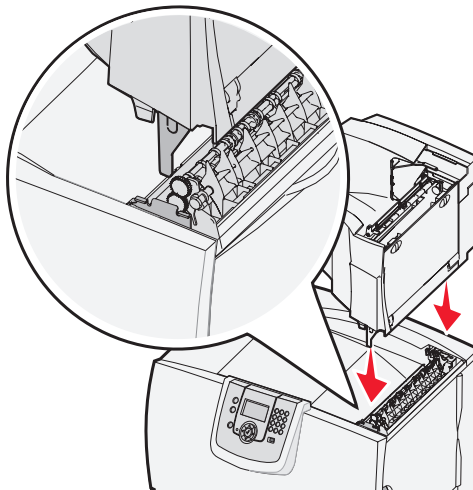
Note: After you unpack the output expander, install it immediately. Otherwise, the edges of the mounting brackets could damage tabletops or fabrics.

- 1 Unpack the output expander and remove any packing material.
- 2 Remove the printer top cover.



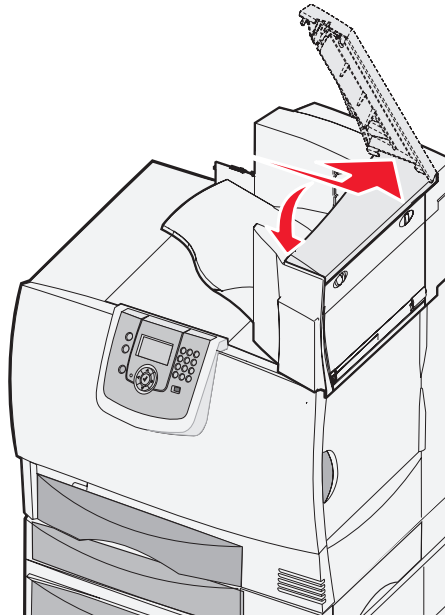
Warning: The output expander tray is designed to hold the weight of print material only. Do not use it as a shelf; excess weight may cause it to disengage from the output expander.

- 3 Align the mounting brackets on the bottom of the output expander with the slots in the top of the printer, and then lower the output expander into place.

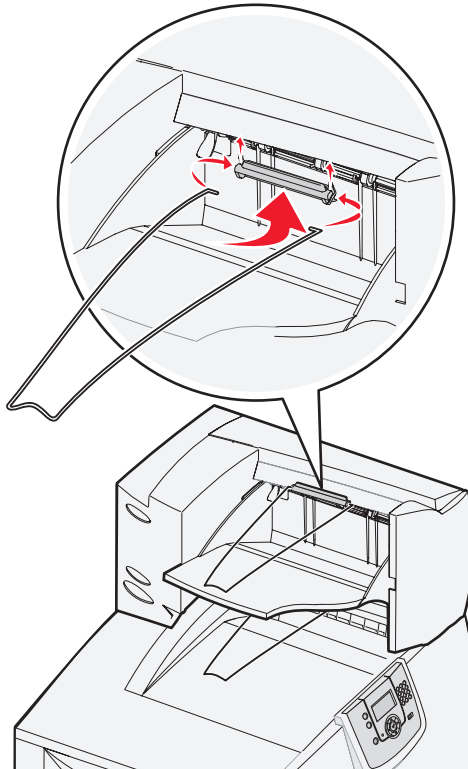


Installing and removing options

- 4 Attach the printer top cover to the output expander.



- 5 Attach the output expander paper bail to the top cover.

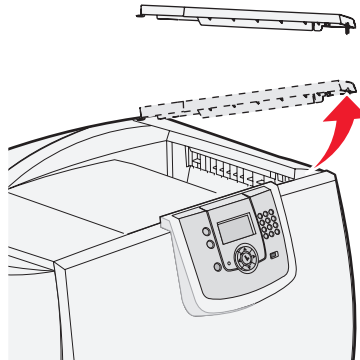


Installing a 5-bin mailbox

Your printer supports a 5-bin mailbox that lets you collate and stack up to 500 sheets of paper.

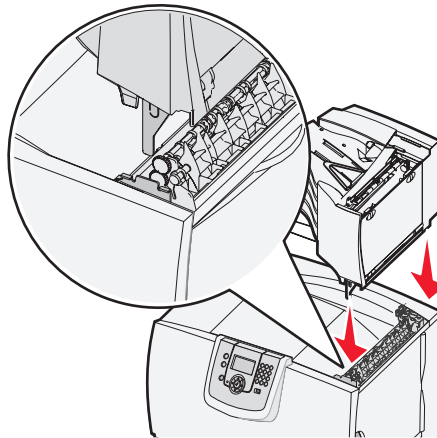
Note: After you unpack the mailbox, install it immediately. Otherwise, the edges of the mounting brackets could damage tabletops or fabrics.

- 1 Unpack the mailbox and remove any packing material.
- 2 Remove the printer top cover.



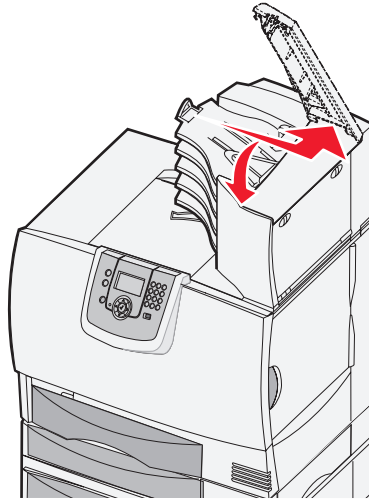
Warning: The mailbox is designed to hold the weight of print material only. Do not use it as a shelf; excess weight may damage it.

- 3 Align the mounting brackets on the bottom of the mailbox with the slots in the top of the printer, and then lower the mailbox into place.

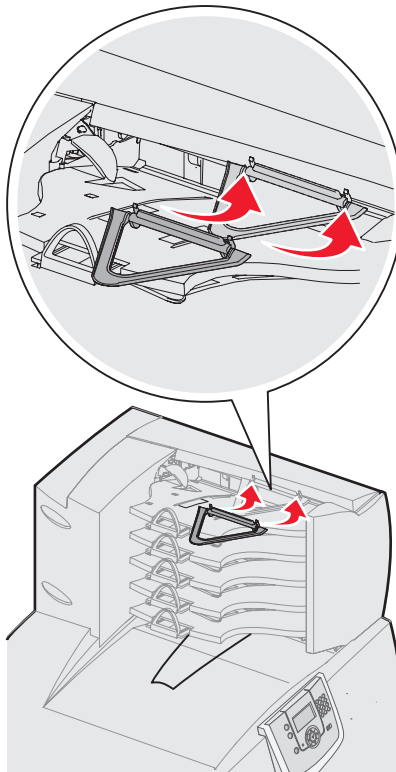


Installing and removing options

- 4 Attach the printer top cover to the mailbox.

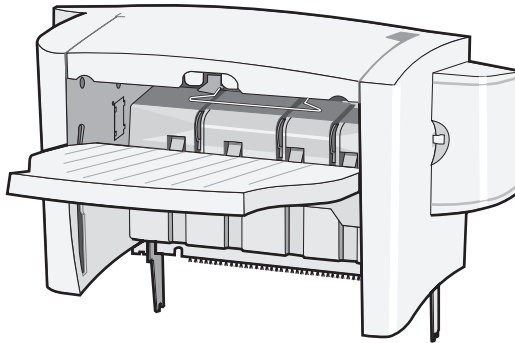


- 5 Attach the mailbox paper bail to the top cover.



Installing a StapleSmart finisher

Your printer supports a StapleSmart finisher. See the information sheet included with the finisher for detailed installation instructions.



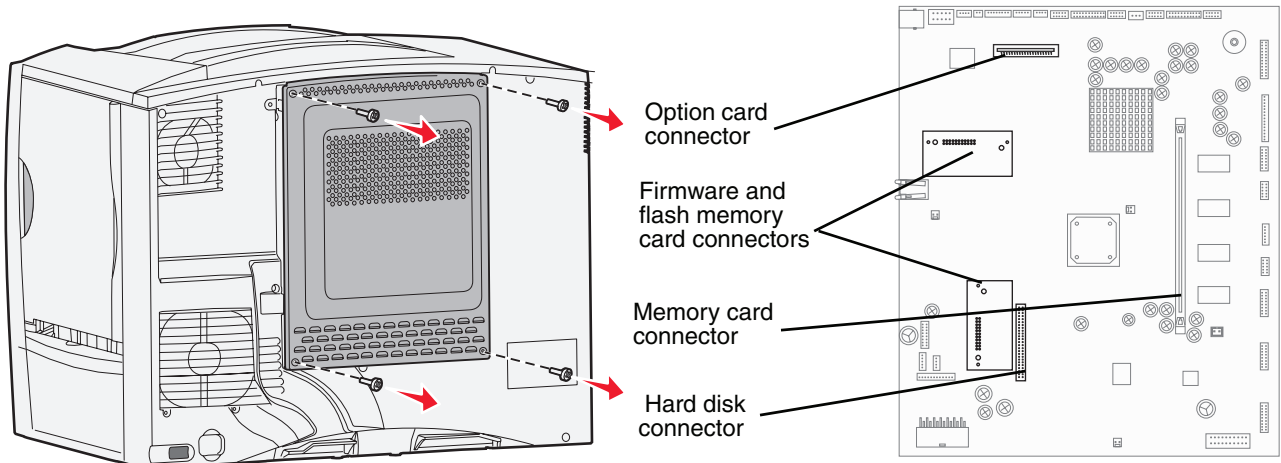
Installing memory and option cards



CAUTION: If you are installing memory or option cards sometime after setting up the printer, turn the printer off and unplug the power cord before continuing. If you have any other devices connected to the printer, turn them off as well and unplug any cables going to the printer.

Removing the system board access cover

- 1 Locate the access cover on the back of the printer.
- 2 Remove the four access cover screws (two at top, two at bottom).
- 3 Remove the access cover.
- 4 Use the illustration to locate the connector for the card you want to install.



Installing a memory card

Follow the instructions in this section to install a printer memory card. Memory cards must have 100-pin connectors.

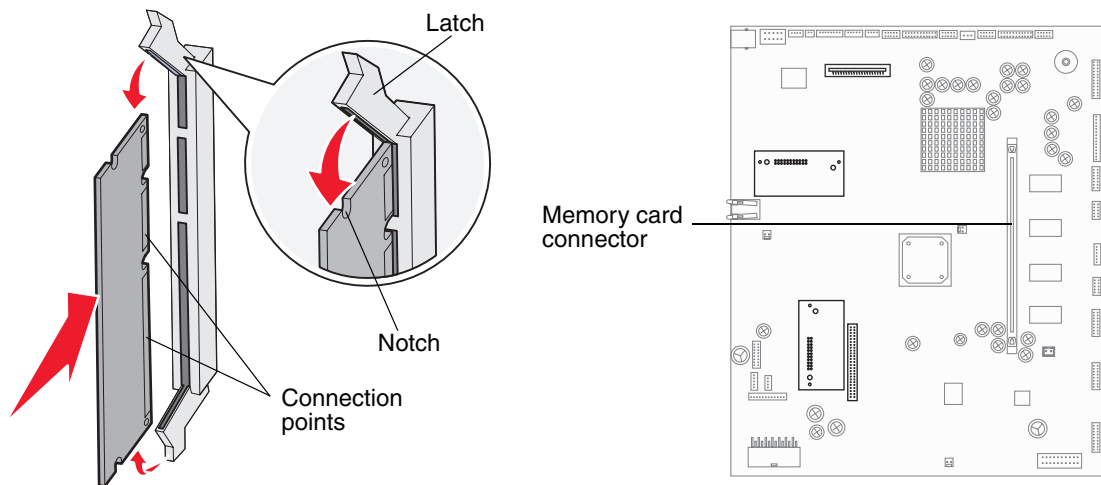
Note: Memory cards designed for other Lexmark printers may not work with your printer.

- 1 Remove the system board access cover. For more information, see **Removing the system board access cover**.

Warning: Memory cards are easily damaged by static electricity. Touch something metal on the printer before you touch a card.

- 2 Unpack the memory card.

Avoid touching the connection points along the edge of the card. Save the packaging.



- 3 Push open the latches on both ends of the memory connector.
- 4 Align the notches on the bottom of the card with the notches on the connector.
- 5 Push the memory card firmly into the connector until the latches on either end of the connector *snap* into place. It may require some force to fully seat the card.
- 6 Make sure each latch fits over the notch on the end of the card.

Installing an “option-added” firmware card

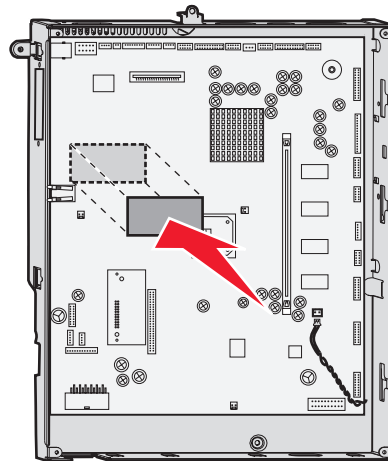
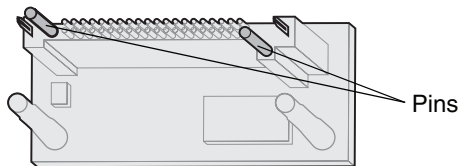
Follow the instructions in this section to install an optional “option-added” firmware or flash memory card.

Note: “Option-added” firmware and flash memory cards offered for other Lexmark printers cannot be used with your printer.

“Option-added” fiOnly one of each type of card is supported.

Warning: “Option-added” firmware and flash memory cards are easily damaged by static electricity. Touch something metal on the printer before you touch a card.

- 1 Remove the system board access cover. For more information, see **Removing the system board access cover**.
- 2 Unpack the card.
Avoid touching the metal pins on the bottom of the card. Save the packaging.
- 3 Holding the card by its sides, align the pins on the card with the holes on the system board.
- 4 Push the card firmly into place.
The entire length of the connector on the card must touch the system board.
Be careful not to damage the card connectors.



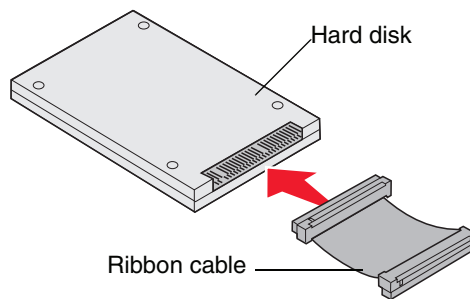
Installing a hard disk

Follow the instructions in this section to install an optional hard disk. You need a small flathead screwdriver to attach the hard disk to the mounting plate.

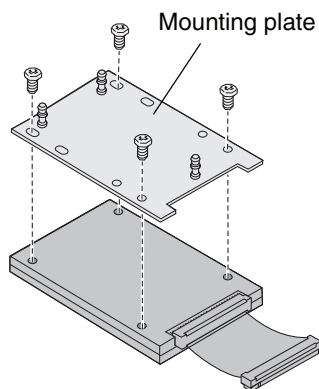
Warning: Hard disks are easily damaged by static electricity. Touch something metal on the printer before you touch a disk.

If an option card has been installed, you may need to remove it before installing the hard disk.

- 1 Remove the system board access cover. For more information, see **Removing the system board access cover**.
- 2 Remove the mounting plate, hard disk, ribbon cable, and attachment screws from the package.
- 3 Align the ribbon cable connector with the connector pins on the hard disk.
- 4 Attach the ribbon cable to the hard disk.

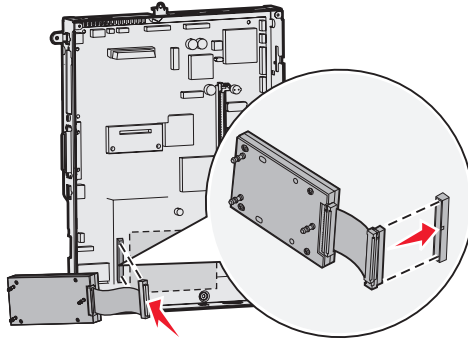


- 5 Align the screw holes on the mounting plate with the holes in the hard disk.
- 6 Secure the mounting plate to the hard disk with the screws.

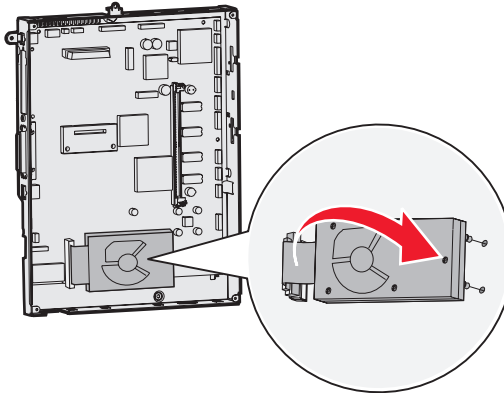


Installing and removing options

- 7 Press the ribbon cable connector into the connector on the system board.



- 8 Flip the hard disk over, and then press the three posts on the mounting plate into the holes on the system board. The hard disk *snaps* into place.



Installing and removing options

Installing an option card

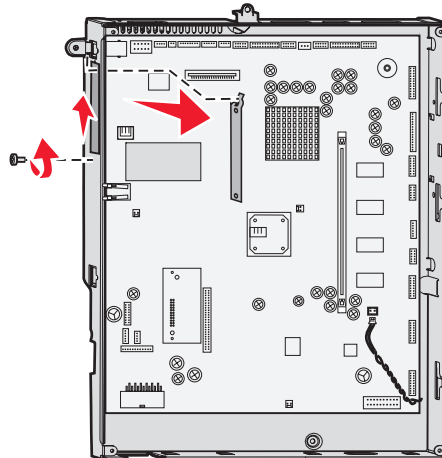
Your printer has one expansion card slot that supports a number of option cards. The following table describes their function.

Card	Function
MarkNet internal print server	Adds an Ethernet or Token-Ring port so you can connect your printer to a network
Parallel 1284-B Interface Card	Adds a parallel port
Serial Interface Card	Adds a serial port

Note: The network models ship with an integrated Ethernet print server already installed.

Note: You need a small Phillips screwdriver to install these options.

- 1 Remove the system board access cover. For more information, see **Removing the system board access cover**.
- 2 Remove the screw from the metal plate that covers the connector slot, and then lift the plate off.
Save the screw.

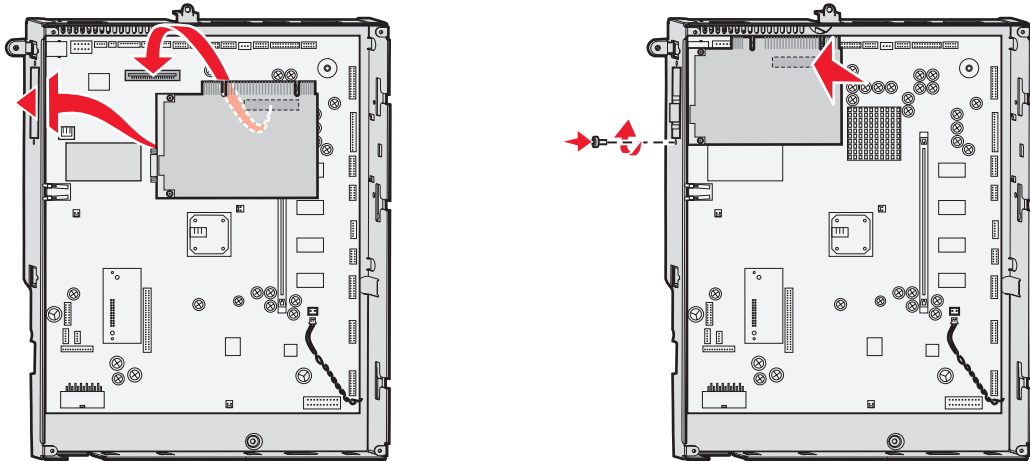


Warning: Option cards are easily damaged by static electricity. Touch something metal on the printer before you touch an option card.

- 3 Unpack the option card.
Save the packing materials.
- 4 Align the connector on the option card with the connector on the system board.
The cable connectors on the side of the option card must fit through the connector slot.
- 5 Push the option card firmly into the option card connector.

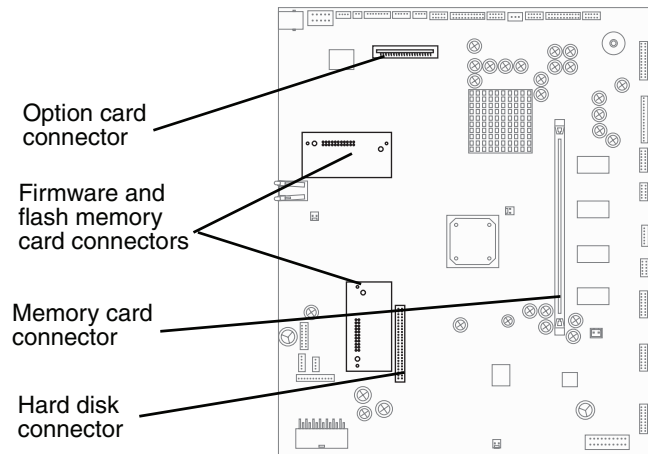
Installing and removing options

- 6 Secure the card to the system board with the screw.



Removing memory and option cards

To remove memory or option cards, use the following illustration to locate the connector for the card you want to remove.

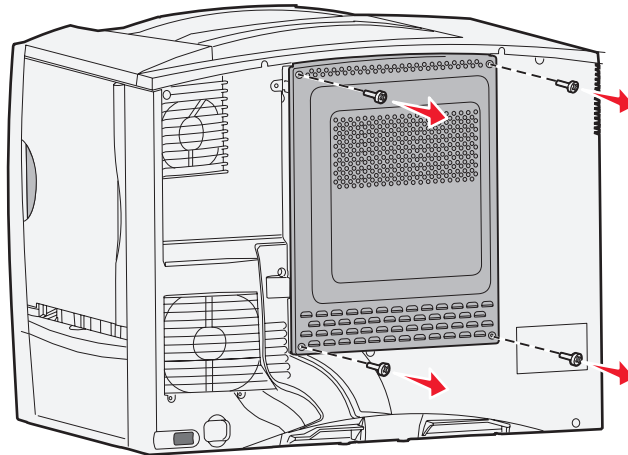


Accessing the printer system board

- 1 Turn the printer off.
- 2 Unplug the printer power cord.
- 3 Disconnect all cables from the back of the printer.
- 4 Locate the access cover on the back of the printer.

Installing and removing options

- 5 Remove the four access cover screws as shown.



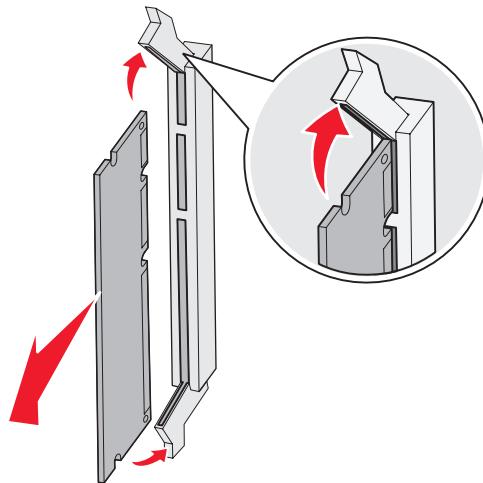
- 6 Remove the access cover.

Removing memory cards

Complete the following steps to remove printer memory or flash memory cards.

Warning: Printer memory and flash memory cards are easily damaged by static electricity. Touch something metal on the printer before you touch a memory card.

- 1 Remove the system board access cover. For more information, see **Accessing the printer system board**.
- 2 Locate the memory card you want to remove.
- 3 Push the latches on both ends of the connector away from the card.
- 4 Pull the card straight out of the connector.



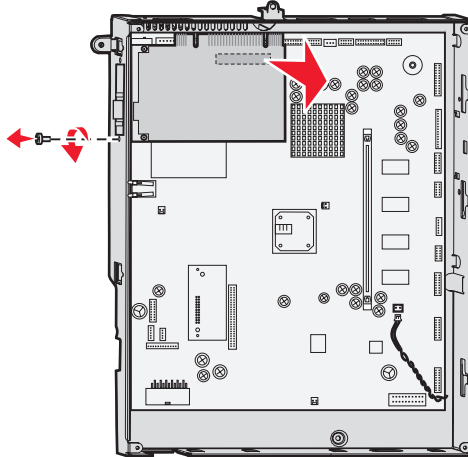
- 5 Place the card in its original packaging, or wrap the card in paper and store it in a box.
- 6 Reinstall the system board access cover. For more information, see **Reinstalling the system board access cover**.

Removing an option card

Complete the following steps to remove an internal print server, Coax/Twinax Adapter, Parallel Interface Card, or Serial Interface Card.

Warning: Option cards are easily damaged by static electricity. Touch something metal on the printer before you touch an option card.

- 1 Remove the system board access cover. For more information, see **Accessing the printer system board**.
- 2 Locate the option card.
- 3 Remove the screw that secures the card to the system board connector slot.



- 4 Gently pull the card out of the connector.
- 5 If you saved the metal plate that covers the connector slot and you do not plan to insert another card, attach the plate.
 - a Slide the clip side of the plate in first, making sure the clip end covers the groove on the system board.
 - b Use the screw to secure the other end of the metal plate to the system board.
- 6 Place the card in its original packaging, or wrap the card in paper and store it in a box.
- 7 Replace the system board access cover. For more information, see **Reinstalling the system board access cover**.

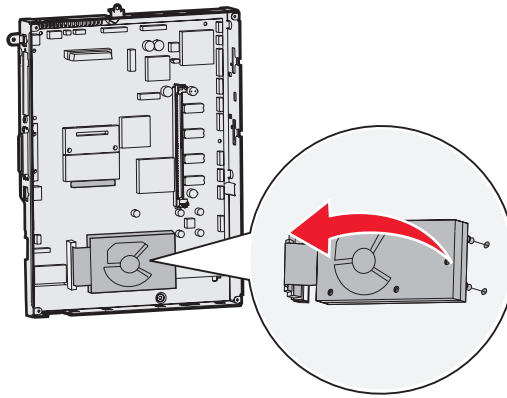
Removing a hard disk

Warning: Hard disks are easily damaged by static electricity. Touch something metal on the printer before you touch a disk.

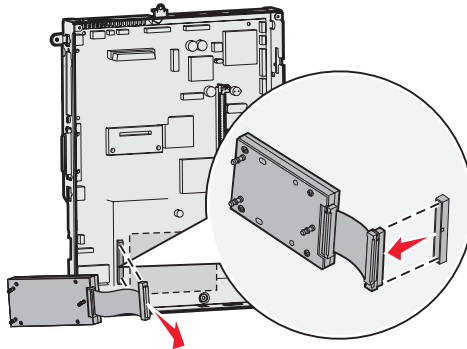
- 1 Remove the system board access cover. For more information, see **Accessing the printer system board**.
- 2 Locate the hard disk.

Installing and removing options

- 3 Gently pull the three posts on the hard disk mounting plate out of the holes on the system board.



- 4 Gently pull the ribbon cable connector out of the connector on the system board.

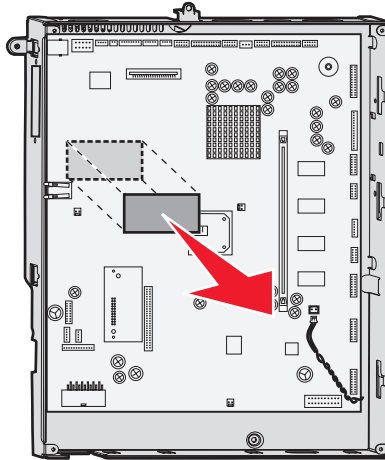


- 5 Place the disk in its original packaging, or wrap the disk in paper and store it in a box.
- 6 Replace the system board access cover. For more information, see **Reinstalling the system board access cover**.

Removing an “option-added” firmware card

Warning: Optional “option-added” firmware cards are easily damaged by static electricity. Touch something metal on the printer before you touch an optional firmware card.

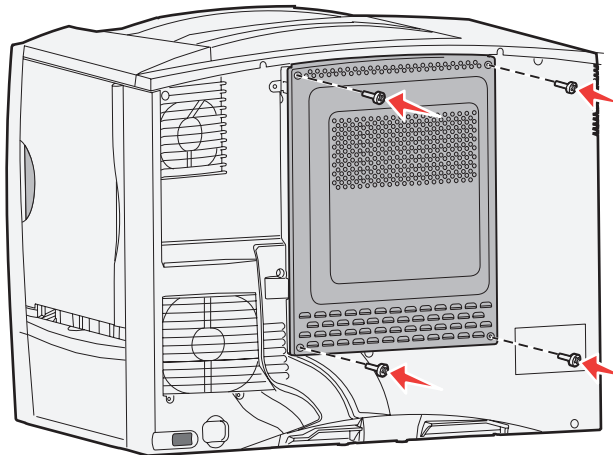
- 1 Remove the system board access cover. For more information, see **Accessing the printer system board**.
- 2 Grasp the “option-added” firmware card gently, and pull it straight out in one motion. Do not pull one side and then the other.



- 3 Place the card in its original packaging, or wrap the card in paper and store it in a box.

Reinstalling the system board access cover

- 1 Align the slots at the top of the access cover with the screws near the top of the printer.
- 2 Slide the cover up under the top cover lip as far as it will go, and then tighten the screws at the top of the cover.
- 3 Insert and tighten the four screws to the bottom of the cover.



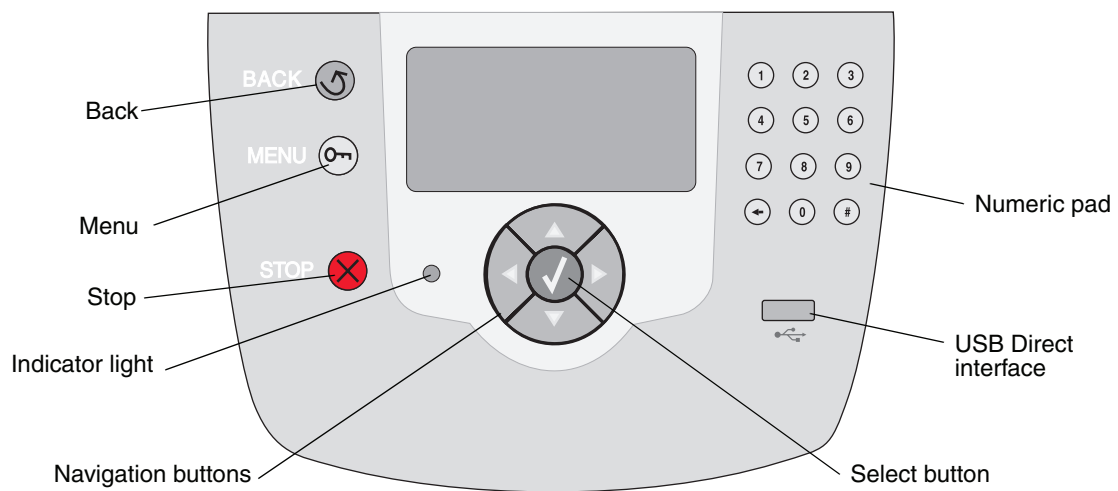
- 4 Reconnect all cables on the back of the printer.
- 5 Plug in the printer power cord.
- 6 Turn the printer on.

2




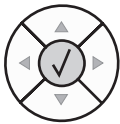





Printing

Understanding the printer operator panel

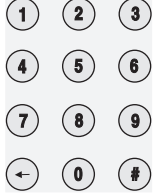
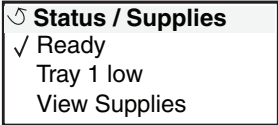
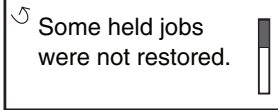

The printer operator panel has a four-line, back lit, gray scale display that can show both graphics and text. The Back, Menu, and Stop buttons are located to the left of the display, the navigation buttons are located below the display, and the numeric pad is located to the right of the display.



Operator panel buttons

Button	Function										
Back 	Press the Back button to return to the last screen viewed. Note: Changes made on a screen will not be applied if you press the Back button.										
Menu 	Press the Menu button to open the menu index. Note: The printer must be in the Ready state to access the menu index. A message indicating the menus are unavailable will appear if the printer is not ready.										
Stop 	Press the Stop button to stop the mechanical operation of the printer. After pressing Stop , the message Stopping is displayed. When the printer has stopped, the status line in the operator panel will show Stopped , and a list of options will appear.										
Indicator light	A two-toned green and red LED is used on the operator panel. The lights indicate whether the printer power is on, the printer is busy, idle, processing a job, or requires operator intervention. <table border="1" data-bbox="521 699 1385 926"> <thead> <tr> <th>Status</th> <th>Indicates</th> </tr> </thead> <tbody> <tr> <td>Off</td> <td>Power is off</td> </tr> <tr> <td>Solid green</td> <td>Printer is on, but idle</td> </tr> <tr> <td>Flashing green</td> <td>Printer is warming up, processing data, or printing a job</td> </tr> <tr> <td>Solid red</td> <td>Operator intervention is required</td> </tr> </tbody> </table>	Status	Indicates	Off	Power is off	Solid green	Printer is on, but idle	Flashing green	Printer is warming up, processing data, or printing a job	Solid red	Operator intervention is required
Status	Indicates										
Off	Power is off										
Solid green	Printer is on, but idle										
Flashing green	Printer is warming up, processing data, or printing a job										
Solid red	Operator intervention is required										
Navigation buttons 	<p>  The Up and Down buttons are used to move up and down lists.  When navigating through a list using the Up or Down button, the cursor moves one line at a time. Pressing the Down button changes the screen to the next whole page. </p> <p>   The Left and Right buttons are used to move within a screen, such as moving from one menu index item to another. They are also used to scroll through text that will not fit on the screen. </p> <p>  The Select button is used to initiate action on a selection. Press Select to select an item, to submit a configuration item, or to start or cancel a job. </p>										
USB Direct interface	The host USB Direct interface on the operator panel is used to plug in a USB flash memory device and print PDF and supported graphic files (.gif, .jpeg, .jpg, .bmp, .png, .tiff, .tif, .pcx, and .dcx files). Note: A USB port is located on the back of the printer to connect a host computer.										

Printing

Button	Function
<p>Numeric pad</p> 	<p>The numeric pad consists of numbers, a pound (#) sign, and a backspace button. The 5 button has a raised bump for non-visual orientation.</p> <p>The numbers are used to enter numeric values for items like quantities or PINs. The backspace is used to delete the number to the left of the cursor. Pressing the backspace multiple times will delete additional entries.</p> <p>Note: The pound (#) sign is not used.</p>
<p>Display panel</p>  <p>Tell Me More screen</p>  <p>Show me screen</p> 	<p>The display panel shows messages and graphics describing the current state of the printer and indicating possible printer problems you must resolve.</p> <p>The top line of the display is the header line. If applicable, it will contain the graphic indicating the Back button can be used. It will also display the current status and the Supplies (Warnings) status. If multiple warnings are present, each warning will be separated by a comma.</p> <p>The other three lines of the display are the body of the screen. This is where you view printer status, supplies messages, Show me screens, and make selections.</p>

Sending a job to print

To print a job from a typical Windows application:

- 1 Open the file you want to print.
- 2 From the File menu, select **Print**.
- 3 Verify that the correct printer is selected in the dialog box.
- 4 Modify the printer settings as appropriate (such as the pages you want to print or the number of copies).

Note: Click **Properties** or **Setup** to adjust printer settings not available from the first screen, and click **OK**.

- 5 Click **OK** or **Print** to send the job to the selected printer.

Printing from a USB flash memory device

A USB Direct interface is located on the operator panel so you can insert a USB flash memory device and print PDF documents and supported graphic files. Printing a document from a USB flash memory device is similar to printing a held job.

Note: Supported graphic types are .gif, .jpeg, .jpg, .bmp, .png, .tiff, .tif, .pcx, and .dcm.

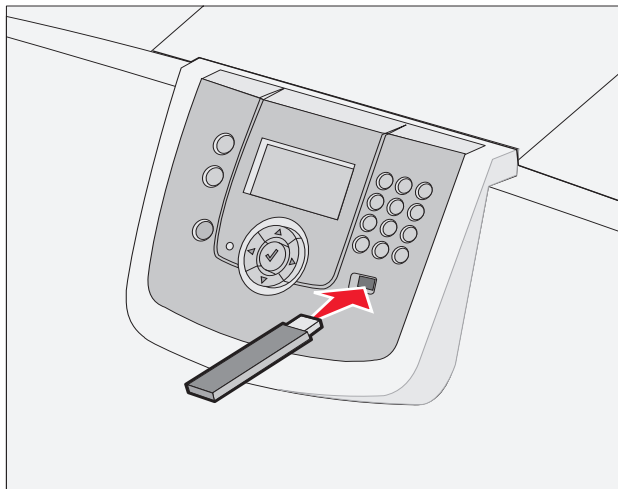
For information regarding tested and approved USB flash memory devices, see the Lexmark Web site at www.lexmark.com.

Note the following when using a USB flash memory device with the printer USB Direct Interface:

- USB devices must be compatible with the USB 2.0 standard.
- Hi-Speed USB devices must support the Full-Speed standard as well. Devices only supporting USB low speed capabilities are not supported.
- USB devices must support the FAT file system. Devices formatted with NTFS or any other file system are not supported.
- You cannot print encrypted files or files without printing permissions.

To print from a USB flash memory device:

- 1** Make sure the printer is on and **Ready** or **Busy** appears.
- 2** Insert a USB flash memory device into the USB Direct interface.

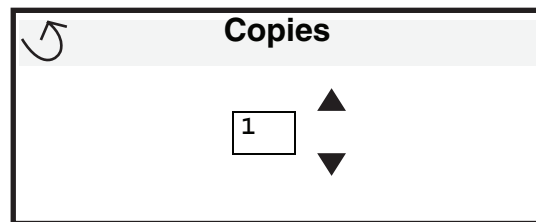
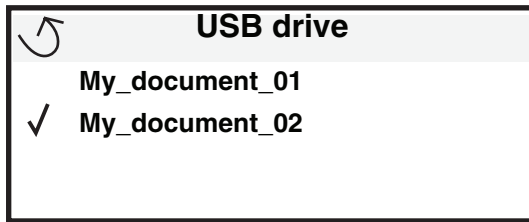


Note:

- If you insert the memory device when the printer requires attention such as when a paper jam has occurred, the printer ignores the memory device.
- If you insert the memory device when the printer is busy printing other jobs, the message **Printer Busy** appears. Select **Continue**, and your job prints after the other jobs finish.

Printing

- 3 Press ▼ until ✓ appears next to the document you want to print, and then press ✓. A screen asking the number of copies to be printed will appear.



- 4 To print only one copy, press ✓, or manually input the number of copies with the number pad, then press ✓.

Note: Do not remove the USB flash memory device from the USB Direct interface until the document has finished printing.

The document prints.

If you leave the drive in the printer after leaving the initial USB menu screen, you can still print files on the drive as held jobs. For more information, see **Printing confidential jobs**.

Canceling a print job

Canceling a job from the printer operator panel

Note: For more information about the operator panel, see **Understanding the printer operator panel**.

If the job you want to cancel is printing, and **Busy** appears on the display, press ▼ until ✓ **Cancel a job** appears, and then press ✓. The message **Cancel Pending** appears until the job is canceled.

Canceling a job from a computer running Windows

Canceling a job from the taskbar

When you send a job to print, a small printer icon appears in the right corner of the taskbar.

- 1 Double-click the printer icon.
A list of print jobs appears in the printer window.
- 2 Select the job you want to cancel.
- 3 Press the **Delete** key on the keyboard.

Canceling a job from the desktop

- 1 Minimize all programs to reveal the desktop.
- 2 Double-click the **My Computer** icon.
- 3 Double-click the **Printers** icon.
A list of available printers appears.

- 4 Double-click the printer you selected when you sent the job.
A list of print jobs appears in the printer window.
- 5 Select the job you want to cancel.
- 6 Press the **Delete** key on the keyboard.

Canceling a job from a Macintosh computer

Canceling a job from a Macintosh computer running Mac OS 9.x

When you send a job to print, the printer icon for your selected printer appears on the desktop.

- 1 Double-click the printer icon on your desktop.
A list of print jobs appears in the printer window.
- 2 Select the print job you want to cancel.
- 3 Click the trash can icon.

Canceling a job from a Macintosh computer running Mac OS X








- 1 Open **Applications** → **Utilities**, and then double-click **Print Center** or **Printer Setup**.

Note: Canceling a print job can also be done by clicking the printer setup utility in the dock.

- 2 Double-click the printer you are printing to.
- 3 In the printer window, select the print job you want to cancel.
- 4 Press **Delete**.

Printing a menu settings page

You can print a menu settings page to review the default printer settings and to verify printer options are installed correctly.





- 1 Make sure the printer is on and **Ready**.
- 2 Press  on the operator panel.
- 3 Press  until  **Reports** appears, and then press .
- 4 Press  until  **Menu Settings Page** appears, and then press .

Printing Menus Settings appears on the display.

The printer returns to the **Ready** state after the menu settings page prints.

Printing a network setup page

If the printer is attached to a network, print a network setup page on the printer to verify the network connection. This page also provides important information that helps in configuring for network printing.

- 1 Make sure the printer is on and the **Ready** message appears.
- 2 Press  on the operator panel.
- 3 Press  until  **Reports** appears, and then press .

- 4 Press ▼ until ✓ **Network Setup Page** appears, and then press ✓.

Note: If an optional MarkNet N8000 series internal print server is installed, **Print Net1 Setup** appears on the display.

- 5 Check the first section on the network setup page, and confirm that Status is “Connected.”

If Status is “Not Connected”, the LAN drop may not be active, or the network cable may be malfunctioning. Consult a system support person for a solution, and print another network setup page to verify that the printer is connected to the network.

Printing a font sample list


To print samples of the fonts currently available for your printer:

- 1 Make sure the printer is on and the **Ready** message appears.
- 2 Press  on the operator panel.
- 3 Press ▼ until ✓ **Reports** appears, and then press ✓.
- 4 Press ▼ until ✓ **Print Fonts** appears, and then press ✓.
- 5 Press ▼ until ✓ appears next to **PCL Fonts**, **PostScript Fonts**, or **PPDS Fonts**, and then press ✓.

Note: **PPDS Fonts** only appears if PPDS is activated on the printer.

Printing a directory list

A directory listing shows the resources stored in flash memory or on the hard disk. To print a listing:

- 1 Make sure the printer is on and the **Ready** message appears.
- 2 Press  on the operator panel.
- 3 Press ▼ until ✓ **Reports** appears.
- 4 Press ✓.
- 5 Press ▼ until ✓ **Print Directory** appears.
- 6 Press ✓.

The message **Printing Directory List** appears on the display.

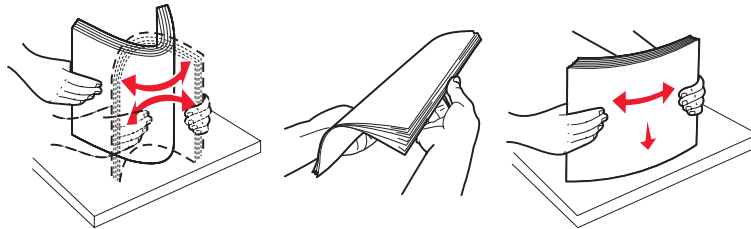
The printer returns to the Ready state after the directory list prints.

Note: **Print Directory** is only available if you have a flash memory or hard disk installed.

Loading the trays

Helpful hints:

- Never mix media types within a tray.
- Flex the print media back and forth to loosen the sheets, and then fan them. Do not fold or crease the print media. Straighten the edges of the stack on a level surface.

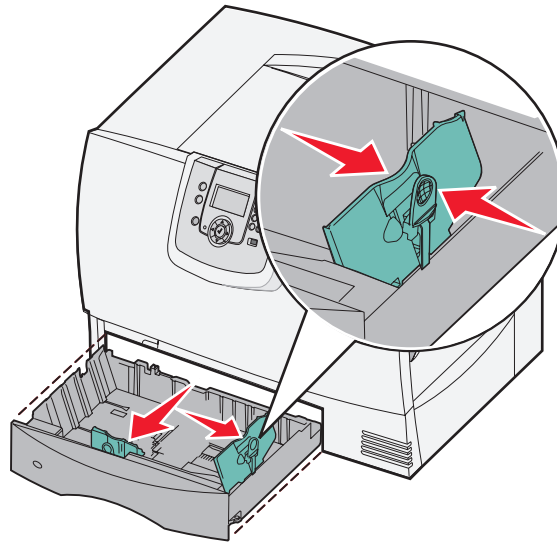


Warning: Never remove paper trays while a print job is printing. It could damage the tray or the printer.

Loading 500-sheet trays

To load any of the 500-sheet trays:

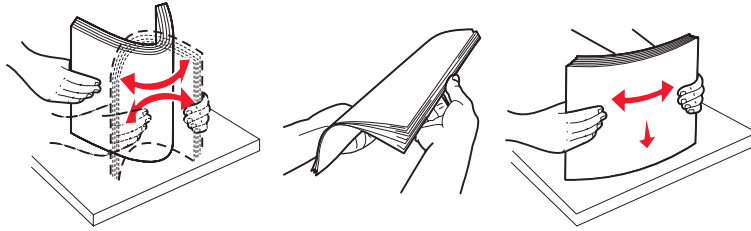
- 1 Remove the tray and place it on a flat, level surface.
- 2 Squeeze the front guide lever and slide the guide to the front of the tray.



- 3 Squeeze the side guide lever and slide the guide to the correct position for the size paper you are loading. Icons along the back of the tray indicate paper sizes.

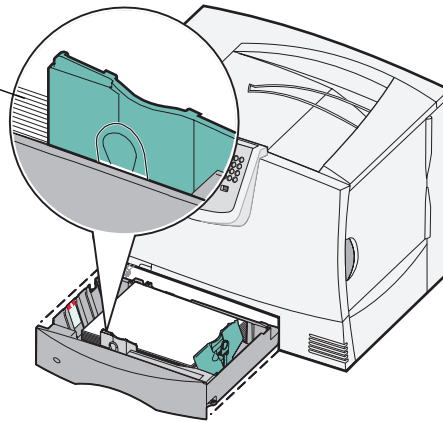
Printing

- 4 Flex the sheets back and forth to loosen them, and then fan them.
Do not fold or crease the paper. Straighten the edges of the stack on a level surface.



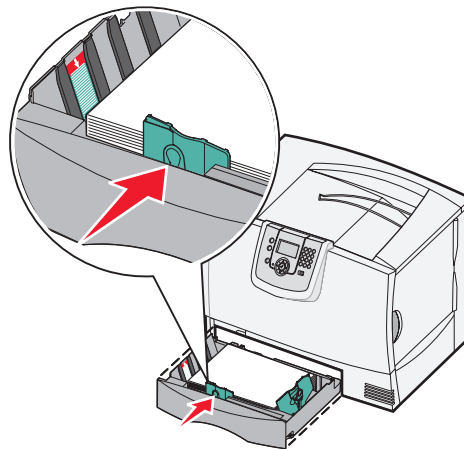
- 5 Place the paper in the tray as shown, print side down.
Do not load bent or wrinkled paper.

Maximum stack height
indicator



Note: Do not exceed the maximum stack height. Overfilling the tray may cause jams.

- 6 Squeeze the front guide lever and slide the guide until it firmly touches the stack of paper.

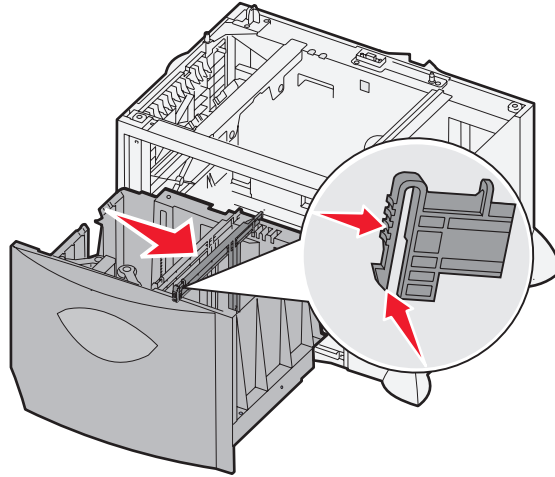


- 7 Reinstall the tray.
Make sure the tray is pushed completely into the printer.
- 8 If you are loading a different type of media than was previously loaded in the tray, change the Paper Type setting for that tray on the operator panel.
For more information, see **Printing on specialty media (transparencies, labels, other)**.

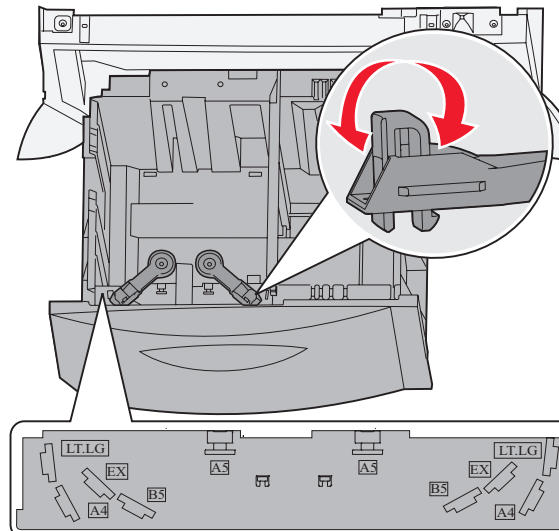
Loading the 2000-sheet tray

Follow these instructions to load a 2000-sheet tray. *Do not load any print media other than paper in the 2000-sheet tray.*

- 1 Pull open the tray.
- 2 Squeeze the side guide lever, lift the guide, and place it into the appropriate slot for the size paper you are loading.

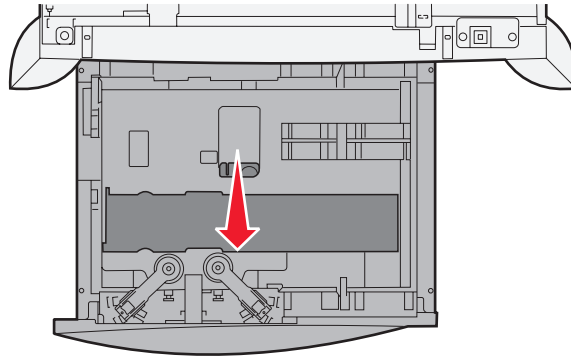


- 3 Squeeze the two front guide levers and slide the guide to the correct position for the size paper you are loading.

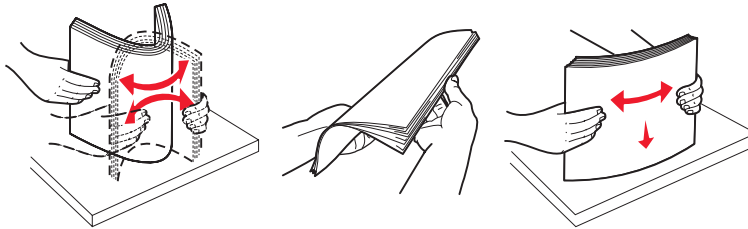


Printing

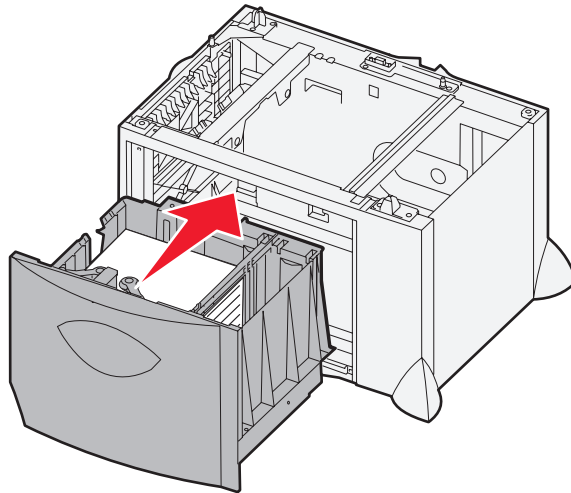
- 4 Slide the bottom support toward the front of the tray until it touches the front guide.



- 5 Flex the sheets back and forth to loosen them, and then fan them.
Do not fold or crease the paper. Straighten the edges of the stack on a level surface.



- 6 Place the paper against the back left corner of the tray, print side down.
Do not load bent or wrinkled print media.



- 7 Close the tray.
Make sure the tray is pushed completely into the printer.

Note: Do not exceed the maximum stack height. Overfilling the tray may cause paper jams.

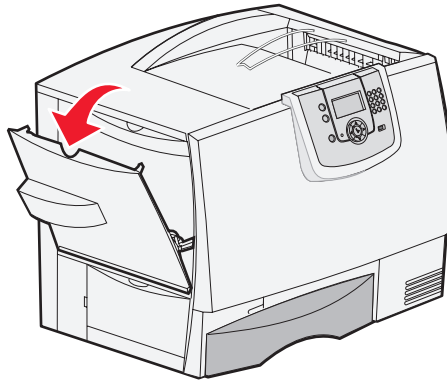
Loading the multipurpose feeder

You can use the multipurpose feeder one of two ways:

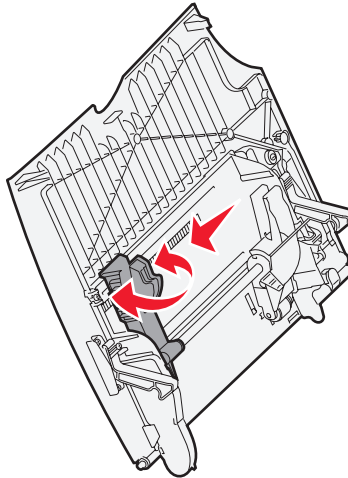
- **Paper tray**—As a paper tray, you can load paper or specialty media in the feeder with the intention of leaving the media in the feeder.
- **Manual bypass feeder**—As a manual bypass feeder, you send a print job to the feeder while specifying the type and size of media from your computer. The printer then prompts you to load the appropriate print media before it prints.

To load the multipurpose feeder:

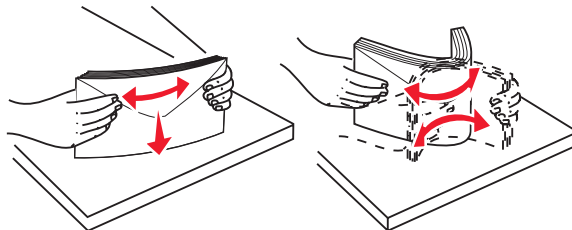
- 1 Open the multipurpose feeder.



- 2 Squeeze the paper guide lever and slide the guide all the way toward the front of the printer.

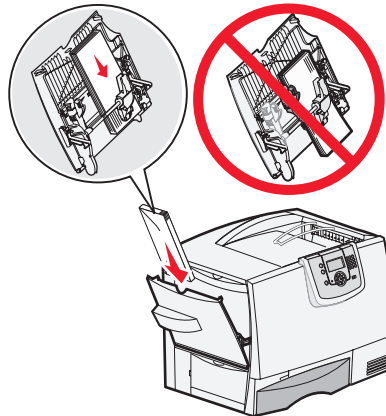


- 3 Flex the specialty media back and forth to loosen the stack, and then fan the stack. Do not fold or crease the media. Straighten the edges of the stack on a level surface.



Printing

- 4 Arrange the stack of paper or specialty media correctly for the size, type, and print method you are using.

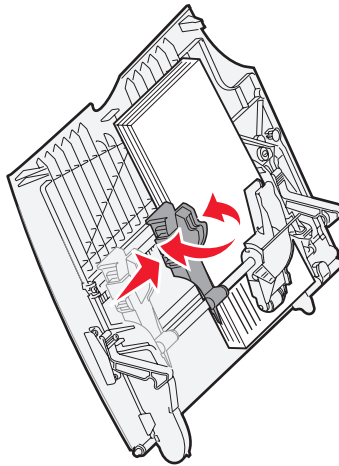


- 5 Place the paper or specialty media, print side up, along the left side of the multipurpose feeder, and then push it in as far as it will easily go.

Do not force the media.

Note: Do not exceed the maximum stack height. Overfilling the feeder may cause jams.

- 6 Squeeze the paper guide lever and slide the guide until it lightly touches the side of the stack.



- 7 If you are loading a different type of media than was previously loaded in the tray, change the Paper Type setting for that tray on the operator panel.




















For more information, see **Printing on specialty media (transparencies, labels, other)**.

Printing on specialty media (transparencies, labels, other)

Follow these instructions when you want to print on media such as transparencies, card stock, glossy paper, labels, or envelopes.

- 1 Load the media as specified for the tray you are using. For help, see any of the following:
 - **Loading the trays**
 - **Loading the multipurpose feeder**
- 2 Set the Paper Size and Paper Type for the multipurpose feeder (MP Feeder Size and MP Feeder Type) to the correct value for the print media you loaded.

Note: Paper Size cannot be adjusted when auto size sensing is enabled. Auto size sensing is enabled by default for printer trays, but is not available for the multipurpose feeder.

- a Press  on the operator panel.
- b Press  until you see  **Paper Menu**.
- c Press  .
- d Press  until you see  **Paper Size/Type**.
- e Press  .
- f Press  until you see  **MP Feeder Size/Type**.
- g Press  .
- h Press  until the  appears next to the media size you loaded.
- i Press  .
- j Press  until you see  **MP Feeder Size/Type**.
- k Press  .
- l Press  until  appears next to the media type you loaded.
- m Press  .

The printer returns to the **Ready** state.

- 3 From the computer software application, set the paper type, size, and source according to the media you loaded.

Windows

- 1 In your word processor, spreadsheet, browser, or other application, select **File ▶ Print**.
- 2 Click **Properties** (or **Options**, **Printer**, or **Setup**, depending on the application) to view the printer driver settings.
- 3 Click the **Paper** tab, and then select the tray containing the specialty media from the **Paper Tray** list box.
- 4 Select your media type (transparencies, envelopes, and so on) from the **Paper Type** list box.
- 5 Select the size of the specialty media from the **Paper Size** list box.
- 6 Click **OK**, and then send your print job as usual.

Mac OS 9.x

- 1 In your word processor, spreadsheet, browser, or other application, select **File ▶ Page Setup**.
- 2 Choose the correct printer in the **Format For** pop-up menu.
- 3 Choose the paper size from the **Paper** pop-up menu.
- 4 Click **OK**.
- 5 Select **File ▶ Print**.
- 6 Select the **General** panel, and then choose the paper source from the pop-up menus as appropriate.
- 7 Select the **Paper** panel, and then choose the paper type from the **Paper Type** pop-up menu.
- 8 Send your print job as usual.

Mac OS X

- 1 In your word processor, spreadsheet, browser, or other application, select **File ▶ Page Setup**.
- 2 Choose the correct printer in the **Format For** pop-up menu.
- 3 Choose the paper size from the **Paper Size** pop-up menu.
- 4 Click **OK**.
- 5 Select **File ▶ Print**.
- 6 Select the **Paper** panel in the copies & pages menu, and then choose the paper type from the **Paper Type** pop-up menu.
- 7 Select the **Paper Feed** panel, and then choose the paper source from the pop-up menus as appropriate.
- 8 Send your print job as usual.

Linking trays

- If you load the same size and type of paper or specialty media in more than one tray, the printer automatically links the trays. This means that when one tray is empty, it feeds from the next linked tray.
For example, if you have the same size and type of paper or specialty media loaded in tray 2 and tray 4, the printer feeds from tray 2 until it becomes empty, and then it feeds from the next linked tray—tray 4.
- If you load the same *size* paper or specialty media in each tray, make sure it is also all the same *type* to link the trays.
Once the trays you selected are loaded with the same size and type of paper or specialty media, select the same Paper Type setting in the Paper Menu for these sources.
- To disable tray linking, set the Paper Type or Paper Size to a unique value in each one of the trays.
For more information, see the *Menus and Messages Guide* on the *Software and Documentation* CD













Linking output bins

If you attach an optional finisher or mailbox to your printer, you can link output bins, or otherwise specify how the printer sends jobs to the bins, by changing the Configure Bins settings in the Paper Menu.

Value	Description
Mailbox*	Lets you select an output bin when you send a job to print. (If you prefer, you can select a default output bin for all print jobs to go to.) The printer alerts you when the bin you selected becomes full, and stops printing until you empty the bin.
Link	Links all available bins so that when one bin becomes full, the printer sends jobs to the next linked bin.
Mail Overflow*	Sends jobs automatically to a preassigned overflow bin when the current bin becomes full.
Link Optional	Configures the printer to treat all the optional bins as one large output bin and treat the standard bin as an individually addressable bin.
Type Assignment	Lets you assign different types of media to specific output bins or a set of linked bins. The printer then sends all printed media to the bin or set of linked bins that you designated to receive each type of paper or specialty media.

* Only available if you have attached an optional mailbox.

To change the Configure Bins setting:

- 1 Press  until you see  **Paper Menu**.
- 2 Press .
- 3 Press  until you see  **Bin Setup**.
- 4 Press .
- 5 Press  until you see  **Configure Bins**, and then press . **Mailbox** appears on the second line of the display.
- 6 Press  until you see the value you want, and then press  to save the value as the bin configuration default.
- 7 Press  until you get to the Ready state.

Holding a job in the printer

When sending a job to the printer, you can specify in the driver that you want the printer to hold the job in memory. When you are ready to print the job, you must go to the printer and use the operator panel menus to identify which *held* job you want to print.

Note: *Print and Hold* functions require a minimum of 128MB available printer memory. We recommend a minimum of 256MB available printer memory and a hard disk.

Printing and deleting held jobs

Once held jobs are stored in printer memory, you can use the printer operator panel to specify what you want to do with one or more of the jobs. You can select either Confidential Job or Held Jobs (Repeat Print, Reserve Print, and Verify Print jobs) from the Job Menu. If you select Confidential Job, you must enter the personal identification number (PIN) you specified in the driver when you sent the job. For more information, see **Printing confidential jobs**.

From either the Confidential Job or the Held Jobs menu items, you have several choices:

- Print All
- JobName1
- JobName2
- Delete All

Note: **Confidential jobs** will also be an option if confidential jobs are present.

Printing confidential jobs

The term *held job* refers to any type of print job that can be initiated by the user at the printer. This includes a confidential job, a verify print job, a reserve print job, a repeat print job, a bookmark, a profile, or a file on a USB flash memory device.

When sending a job to the printer, you can specify in the driver that you want the printer to hold the job in memory. Once your job is stored in printer memory, go to the printer and use the printer operator panel to specify what you want to do with your print job.

All confidential jobs have a user name associated with them. To access confidential jobs, you must first select the type of job (confidential or held), and then select your user name from the user name list. Once you select your user name, you can print all your confidential jobs or select an individual print job. You can then choose the number of copies for the print job or you can delete the print job.

When you send a confidential job to the printer, you must enter a personal identification number (PIN) from the driver. The PIN must be four digits using the numbers 0–9. The job is held in printer memory until you enter the same four-digit PIN from the operator panel and choose to print or delete the job. This ensures the job does not print until you are there to retrieve it. No one else using the printer can print the job without the PIN.

Windows

- 1 From a word processor, spreadsheet, browser, or other application, select **File** → **Print**.
- 2 Click **Properties**. (or **Options**, **Printer**, or **Setup**, depending on the application) to view the printer driver settings.
- 3 Depending on the operating system, you may have to click the **Other Options** tab, and then click **Print and Hold**.

Note: If you have difficulty finding Print and Hold → Confidential Print, click **Help** and see the topic “Confidential Print” or “Print and Hold”, and then follow the driver instructions.

- 4 Enter a User Name and PIN.
- 5 Send your job to the printer.

Go to the printer when you are ready to retrieve your confidential print job, and follow the **At the printer** steps.

Macintosh

- 1 From a word processor, spreadsheet, browser, or other application, select **File** → **Print**.
- 2 In the “Copies & Pages” or “General” pop-up menu, choose **Job Routing**.
 - a When using Mac OS 9, if Job Routing is not a choice on the pop-up menu, select **Plug-in Preferences** → **Print Time Filters**.
 - b Turn down the disclosure triangle to the left of **Print Time Filters**, and select **Job Routing**.
 - c In the pop-up menu, choose **Job Routing**.
- 3 In the radio group, select **Confidential Print**.

Printing

- 4 Enter a User Name and PIN.
- 5 Send your job to the printer.

Go to the printer when you are ready to retrieve your confidential print job, and follow the **At the printer** steps.

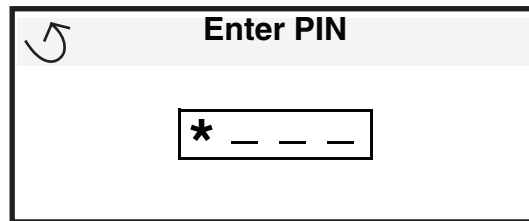
At the printer

- 1 Press ▼ until ✓ **Held jobs** appears, and then press ✓.
- 2 Press ▼ until ✓ **Confidential jobs** appears, and then press ✓.
- 3 Press ▼ until the ✓ appears next to your user name, and then press ✓.
- 4 Enter your PIN.
For more information, see **Entering a personal identification number (PIN)**.
- 5 Press ▼ until ✓ appears next to the job you want to print, and then press ✓.

After your job prints, it is deleted from printer memory.

Entering a personal identification number (PIN)

When you select **Confidential Job** from the **Held job** menu, the following prompt appears on the display after you select your user name:



- 1 Use the numeric pad to enter the four-digit PIN associated with your confidential job.

Note: As you enter the PIN, asterisks appear on the display to ensure confidentiality.

If you enter an invalid PIN, the Invalid PIN screen appears.

- To reenter the PIN, make sure ✓ **Try again** appears, and then press ✓.
 - To cancel, press ▼ until ✓ **Cancel** appears, and then press ✓.
- 2 Press ▼ until ✓ appears next to the job you want to print, and then press ✓.

After your job prints, it is deleted from printer memory.

Printing and deleting held jobs

Held jobs such as Verify Print, Reserve Print, Repeat Print, Bookmarks, and USB flash memory files differ in function and do not require a PIN to print the job. These jobs are printed or deleted from the printer operator panel.

Verify Print

If you send a Verify Print job, the printer prints one copy and holds the remaining copies you requested in printer memory. Use Verify Print to examine the first copy to see if it is satisfactory before printing the remaining copies. Once all copies are printed, the Verify Print job is automatically deleted from printer memory.

Reserve Print

If you send a Reserve Print job, the printer does not print the job immediately. It stores the job in memory so you can print the job later. The job is held in memory until you delete it from the “Held Jobs” menu. Reserve Print jobs may be deleted if the printer requires extra memory to process additional held jobs.

Repeat Print

If you send a Repeat Print job, the printer prints all requested copies of the job *and* stores the job in memory so you can print additional copies later. You can print additional copies as long as the job remains stored in memory.

Note: Repeat Print jobs are automatically deleted from printer memory when the printer requires extra memory to process additional held jobs.

Windows

- 1 From a word processor, spreadsheet, browser, or other application, select **File → Print**.
- 2 Click **Properties**. (or **Options**, **Printer**, or **Setup**, depending on the application) to view the printer driver settings.
- 3 Depending on the operating system, you may have to click the **Other Options** tab, and then click **Print and Hold**.

Note: If you have difficulty finding Print and Hold → Held Jobs, click **Help**, and see the topic Held Jobs or Print and Hold, then follow the driver instructions.

- 4 Select the type of held job you want, and then send your job to the printer.

Go to the printer when you are ready to retrieve your confidential print job, and follow the **At the printer** steps.

Macintosh

- 1 From a word processor, spreadsheet, browser, or other application, select **File → Print**.
- 2 In the **Copies & Pages** or **General** pop-up menu, choose **Job Routing**.
 - a When using Mac OS 9, if Job Routing is not a choice on the pop-up menu, choose **Plug-in Preferences → Print Time Filters**.
 - b Turn down the disclosure triangle to the left of **Print Time Filters**, and select **Job Routing**.
 - c In the pop-up menu, choose **Job Routing**.
- 3 In the radio group, select the type of held job you want, enter a user name, and then send your job to the printer.
Go to the printer when you are ready to retrieve your confidential print job, and follow the **At the printer** steps.

At the printer

- 1 Press ▼ until ✓ **Hold jobs** appears, and then press ✓.
- 2 Press ▼ until ✓ appears next to your user name, and then press ✓.
- 3 Press ▼ until ✓ appears next to the type of action you want to perform:

Print All

Delete All

JobName1

JobName2

- **Confidential jobs** will also be an option if confidential jobs are present.

- 4 Press ✓.
- 5 Press ▼ until ✓ appears next to the job you want, and then press ✓.

The job will print or be deleted according to the type of print job and action you selected.

Tips for successful printing

Storing paper

Use the following guidelines to avoid paper feeding problems and uneven print quality.

- Store paper in an environment where the temperature is approximately 21°C (70°F) and the relative humidity is 40%.
- Store cartons of paper on a pallet or shelf rather than directly on the floor.
- If you store individual packages of paper out of the original carton, make sure they rest on a flat surface so the edges do not buckle or curl.
- Do not place anything on top of paper packages.
- Store paper in its original wrapper until you load it into the printer.

Storing supplies

Choose a cool, clean storage area for your printer supplies. Store supplies *right side up* in their original packaging until you are ready to use them.

Do not expose supplies to:

- Direct sunlight
- Temperatures above 35°C (95°F)
- High humidity (above 80%)
- Salty air
- Corrosive gases
- Heavy dust

Avoiding jams

You can avoid most paper jams by correctly loading paper and specialty media in the printer.

See the following for loading instructions:

- **Loading 500-sheet trays**
- **Loading the 2000-sheet tray**
- **Loading the multipurpose feeder**

The following hints can help you avoid paper jams:

- Use only recommended paper. Refer to the *Card Stock & Label Guide* available on the Lexmark Web site at www.lexmark.com/publications for more information about which paper provides optimum results for your printing environment.
- Do not remove paper trays while a job is printing. Wait for a **Load Tray <x>** or **Ready** message before you remove the tray.
- If you need detailed information before purchasing large quantities of customized paper, refer to the *Card Stock & Label Guide*.
- Do not load wrinkled, creased, or damp paper.
- Never mix media types within a tray.
- Flex, fan, and straighten paper before you load it.
- Do not overload the trays or the multipurpose feeder. Make sure the stack height does not exceed the maximum height indicated.
- Push all trays *firmly* into the printer after loading them.
- Make sure the guides in the trays are properly positioned for the size paper you have loaded.
- Do not send jobs to staple, hole punch, or offset for transparencies, labels, or card stock.
- We recommend that transparencies, labels, card stock, and envelopes not be sent to the optional mailbox or optional finisher. These specialty media types should be sent to the standard bin.
- If an optional finisher or mailbox is attached, make sure the printer and option are correctly aligned. For alignment instructions, see the instruction sheet that came with your option.
- Make sure all cables that connect the high capacity feeder or finisher to the printer are correctly attached. For more information, see the instruction sheet that came with your option.
- If a jam should occur, clear the entire paper path. For more information, see **Clearing the entire paper path**.

3

Media specifications

Media is paper, card stock, transparencies, labels, and envelopes. The last four are sometimes referred to as *specialty media*. The printer provides high quality printing on a variety of media. A number of things must be considered concerning media before printing. This chapter provides information to help make media selections and how to care for media.

Media guidelines

Selecting the appropriate media for the printer helps avoid printing problems.

The following sections contain guidelines for choosing the correct media for the printer.

For detailed information about media characteristics, see the *Card Stock & Label Guide* available on the Lexmark Web site at www.lexmark.com/publications.

Paper

To ensure the best print quality and feed reliability, use 90 g/m² (24 lb) xerographic, grain long paper. Business papers designed for general business use may also provide acceptable print quality.

The default Paper Weight setting in the Paper Menu is **Normal**. For paper less than 20 lb bond (75 g/m²), choose the **Light** setting. For 28 lb bond to 47 lb bond (105 g/m² to 175 g/m²), choose the **Heavy** setting.

We recommend Lexmark part number 12A5950 letter size glossy paper and Lexmark part number 12A5951 A4 size glossy paper.

Always print several samples before buying large quantities of any type of media. When choosing any media, consider the weight, fiber content, and color.

The Laser printing process heats paper to high temperatures of 230°C (446°F) for non-MICR applications. Use only paper able to withstand these temperatures without discoloring, bleeding, or releasing hazardous emissions. Check with the manufacturer or vendor to determine whether the paper chosen is acceptable for laser printers.

When loading paper, note the recommended print side on the paper package, and load paper accordingly. For more information, see **Loading the trays**.

Paper characteristics

The following paper characteristics affect print quality and reliability. It is recommended that these guidelines are followed when evaluating new paper stock.

For detailed information, see the *Card Stock & Label Guide* available on the Lexmark Web site at www.lexmark.com/publications.

Weight

The printer can automatically feed paper weights from 60 to 176 g/m² (16 to 47 lb bond) grain long. Paper lighter than 60 g/m² (16 lb) might not be stiff enough to feed properly, causing jams. For best performance, use 90 g/m² (24 lb bond) grain long paper. To use paper narrower than 182 x 257 mm (7.2 x 10.1 in.), it is recommended that the weight be greater than or equal to 90 g/m² (24 lb bond).

Media specifications

Curl

Curl is the tendency of media to curve at its edges. Excessive curl can cause paper feeding problems. Curl can occur after the paper passes through the printer, where it is exposed to high temperatures. Storing paper unwrapped in hot, humid, cold and dry conditions, even in the trays, can contribute to paper curling prior to printing and can cause feeding problems.

Smoothness

The degree of smoothness of paper directly affects print quality. If the paper is too rough, the toner does not fuse to the paper properly, resulting in poor print quality. If the paper is too smooth, it can cause paper feeding or print quality issues. Smoothness needs to be between 100 and 300 Sheffield points; however, smoothness between 150 and 250 Sheffield points produces the best print quality.

Moisture content

The amount of moisture in the paper affects both print quality and the ability of the printer to feed the paper properly. Leave the paper in its original wrapper until it is time to use it. This limits the exposure of the paper to moisture changes that can degrade its performance.

Condition paper while it is still in the original wrapper. To condition it, store it in the same environment as the printer for 24 to 48 hours before printing to let the paper stabilize in the new conditions. Extend the time several days if the storage or transportation environment is very different from the printer environment. Thick paper may also require a longer conditioning period because of the mass of material.

Grain direction

Grain refers to the alignment of the paper fibers in a sheet of paper. Grain is either *grain long*, running the length of the paper, or *grain short*, running the width of the paper.

For 60 to 90 g/m² (16 to 24 lb bond) paper, grain long fibers are recommended.

Fiber content

Most high-quality xerographic paper is made from 100% chemically pulped wood. This content provides the paper with a high degree of stability resulting in fewer paper feeding problems and better print quality. Paper containing fibers such as cotton possesses characteristics that can result in degraded paper handling.

Unacceptable paper

The following papers are not recommended for use with the printer:

- Chemically treated papers used to make copies without carbon paper, also known as carbonless papers, carbonless copy paper (CCP), or no carbon required (NCR) paper
- Preprinted papers with chemicals that may contaminate the printer
- Preprinted papers that can be affected by the temperature in the printer fuser
- Preprinted papers that require a *registration* (the precise print location on the page) greater than ±0.09 in., such as optical character recognition (OCR) forms

In some cases, registration can be adjusted with the software application to successfully print on these forms.

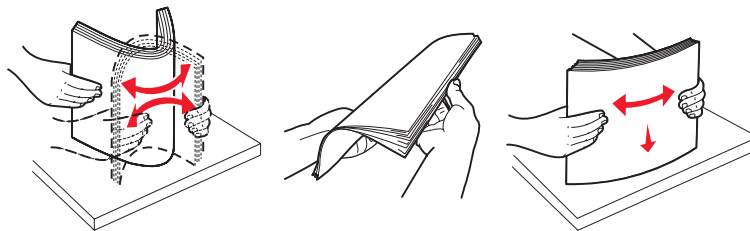
- Coated papers (erasable bond), synthetic papers, or thermal papers
- Rough-edged, rough or heavily textured surface papers or curled papers
- Recycled papers containing more than 25% post-consumer waste that do not meet DIN 19 309
- Paper having a weight less than 60 g/m² (16 lb)
- Multiple-part forms or documents

Selecting paper

Proper paper loading helps prevent jams and ensures trouble-free printing.

To help avoid jams or poor print quality:

- *Always* use new, undamaged paper.
- Before loading paper, know the recommended print side of the paper. This information is usually indicated on the paper package.
- *Do not* use paper that has been cut or trimmed by hand.
- *Do not* mix media sizes, weights, or types in the same source; mixing results in jams.
- *Do not* use coated papers unless they are specifically designed for electrophotographic printing.
- *Do not* forget to change the Paper Size setting when using a source that does not support auto size sensing.
- *Do not* remove trays while a job is printing or **Busy** appears on the operator panel.
- Make sure the Paper Type and Paper Weight settings are correct. (See “Paper Menu” in the *Menus and Messages Guide* on the publications CD for detailed information about these settings.)
- Make sure the paper is properly loaded in the source.
- Flex paper back and forth. Do not fold or crease the paper. Straighten the edges on a level surface.



Storing paper

Use the following guidelines to avoid paper feeding problems and uneven print quality.

- Store paper in an environment where the temperature is approximately 21°C (70°F) and the relative humidity is 40%.
- Store cartons of paper on a pallet or shelf rather than directly on the floor.
- If you store individual packages of paper out of the original carton, make sure they rest on a flat surface so the edges do not buckle or curl.
- Do not place anything on top of paper packages.
- Store paper in its original wrapper until you load it into the printer.

Selecting preprinted forms and letterhead

Use the following guidelines when selecting preprinted forms and letterhead paper for the printer:

- Use grain long papers for best results for 60 to 90 g/m² weights.
- Use only forms and letterhead printed using an offset lithographic or engraved printing process.
- Avoid papers with rough or heavily textured surfaces.

Use papers printed with heat-resistant inks designed for use in xerographic copiers. The ink must withstand temperatures of 230°C (446°F) without melting or releasing hazardous emissions. Use inks that are not affected by the resin in toner. Inks that are oxidation-set or oil-based should meet these requirements; latex inks might not. When in doubt, contact the paper supplier.

Preprinted papers such as letterhead must be able to withstand temperatures up to 230°C (446°F) without melting or releasing hazardous emissions.

Media specifications

Printing on letterhead

Check with the manufacturer or vendor to determine whether the chosen preprinted letterhead is acceptable for laser printers.

Page orientation is important when printing on letterhead. Use the following table for help when loading letterhead in the media sources.

Media source or process	Print side	Top of page
Trays	Printed letterhead face down	Letterhead goes toward the left of the tray.
Duplex (two-sided) printing from trays	Printed letterhead face up	Letterhead goes toward the right of the tray.
Multipurpose feeder	Printed letterhead face up	The top of the letterhead should be inserted into the feeder.
Duplex (two-sided) printing from multipurpose feeder	Printed letterhead face down	The top of the letterhead should be at the top or right hand side of the feeder.

Transparencies

Feed transparencies from the standard tray or the multipurpose feeder. Try a sample of any transparencies being considered for use with the printer before buying large quantities.

When printing on transparencies:

- Be sure to set the Paper Type to Transparency from the printer driver, MarkVision™ Professional, or the operator panel to avoid damaging the printer.
- Use transparencies designed specifically for laser printers. Transparencies must be able to withstand temperatures of 230°C (446°F) without melting, discoloring, offsetting or releasing hazardous emissions.
- To prevent print quality problems, avoid getting fingerprints on the transparencies.
- Before loading transparencies, fan the stack to prevent sheets from sticking together.

Selecting transparencies

The printer can print directly on transparencies designed for use in laser printers. Print quality and durability depend on the transparency used. Always print samples on the transparencies being considered for use before buying large quantities.

Lexmark recommends Lexmark Part Number 12A8240 letter size transparency and Lexmark Part Number 12A8241 A4 size transparency.

The Paper Type setting should be set to Transparency to help prevent jams. (See “Paper Type” in the *Menus and Messages Guide* on the publications CD for detailed information about this setting.) Check with the manufacturer or vendor to determine whether the transparencies are compatible with laser printers that heat transparencies to 230°C (446°F). Use only transparencies that are able to withstand these temperatures without melting, discoloring, offsetting, or releasing hazardous emissions. For detailed information, see the *Card Stock & Label Guide*, which is available on the Lexmark Web site at www.lexmark.com/publications.

Envelopes

Try a sample of any envelopes being considered for use with the printer before buying large quantities. For more information, see **Loading the multipurpose feeder**.

When printing on envelopes:

- To achieve the best possible print quality, use only high-quality envelopes that are designed for use in laser printers.

Media specifications

- Set the Paper Source in the Paper Menu based on the source in use, set the Paper Type to Envelope, and select the correct envelope size from the operator panel, the printer driver, or from MarkVision Professional.
- For best performance, use envelopes made from 90 g/m² (24 lb bond) paper. Use up to 105 g/m² (28 lb bond) weight for the 250-sheet standard tray or 105 g/m² (28 lb bond) weight for envelopes as long as the cotton content is 25% or less. Envelopes with 100% cotton content must not exceed 90 g/m² (24 lb bond) weight.
- Use only new, undamaged envelopes.
- For best performance and to minimize jams, do not use envelopes that:
 - Have excessive curl or twist
 - Are stuck together or damaged in any way
 - Contain windows, holes, perforations, cutouts, or embossing
 - Use metal clasps, string ties, or metal folding bars
 - Have an interlocking design
 - Have postage stamps attached
 - Have any exposed adhesive when the flap is in the sealed or closed position
 - Have nicked edges or bent corners
 - Have rough, cockle, or laid finishes
- Use envelopes that can withstand temperatures of 230°C (446°F) without sealing, excessive curling, wrinkling, or releasing hazardous emissions. If any doubts exist about the envelopes considered for use, check with the envelope supplier.
- A combination of high humidity (over 60%) and the high printing temperatures may seal the envelopes.

Labels

The printer can print on many labels designed for use with laser printers. These labels are supplied in letter size, A4 size, and legal size sheets. Label adhesives, face sheet (printable stock), and topcoats must be able to withstand temperatures of 230°C (446°F) and pressure of 25 pounds per square inch (psi).

Try a sample of any labels considered for use with the printer before purchasing a large quantity.

Note: This printer is intended for occasional paper label printing only.

For detailed information on label printing, characteristics and design, see the *Card Stock & Label Guide* available on the Lexmark Web site at www.lexmark.com/publications.

When printing on labels:

- Set the Paper Type menu item to Labels in the Paper Menu. Set the Paper Type from the printer operator panel, the printer driver, or from MarkVision Professional.
- Do not load labels together with paper or transparencies in the same source; mixing media can cause feeding problems.
- Do not use label sheets with a slick backing material.
- Do not print within 1 mm (0.04 in.) of the die cut.
- Use full label sheets. Partial sheets may cause labels to peel off during printing, resulting in a jam. Partial sheets also contaminate the printer and the cartridge with adhesive, and could void the printer and cartridge warranties.
- Use labels that can withstand temperatures of 230°C (446°F) without sealing, excessive curling, wrinkling, or releasing hazardous emissions.
- Do not print within 1 mm (0.04 in.) of the edge of the label, of the perforations, or between die-cuts of the label.
- Do not use label sheets that have adhesive to the edge of the sheet. Zone coating of the adhesive at least 1 mm (0.04 in.) away from edges is recommended. Adhesive material contaminates the printer and could void the warranty.
- If zone coating of the adhesive is not possible, remove a 3 mm (0.125 in.) strip on the leading and driver edge, and use a non-oozing adhesive.

Media specifications

- Remove a 3 mm (0.125 in.) strip from the leading edge to prevent labels from peeling inside the printer.
- Portrait orientation is preferred, especially when printing bar codes.
- Do not use labels that have exposed adhesive.

Card stock

Card stock is single ply, and has a large array of properties, such as the moisture content, thickness, and texture, that can significantly affect print quality. For more information on the preferred weight for the grain direction of media, see **Identifying media sources and specifications**.

Try a sample of any card stock considered for use with the printer before purchasing a large quantity.

For more information on the preferred weight of media, see **Media types and weights (output options)**.

When printing on card stock:

- Set the Paper Type menu item in the Paper Menu to Card Stock from the operator panel, the printer driver, or from MarkVision Professional. Set the Paper Weight to CardStock Weight, and select the CardStock Weight as Normal or Heavy for the value. Set this from the operator panel, the printer driver, or from MarkVision Professional. Use Heavy for card stock weighing more than or heavier than 163 g/m² (90 lb).
- Be aware that preprinting, perforation, and creasing can significantly affect the print quality and cause media handling or jamming problems.
- Avoid using card stock that may release hazardous emissions when heated.
- Do not use preprinted card stock manufactured with chemicals that may contaminate the printer. Preprinting introduces semi-liquid and volatile components into the printer.
- The use of grain long card stock is recommended.

Storing media

Use the following guidelines for proper media storage. These help avoid media feeding problems and uneven print quality:

- For best results, store media in an environment where the temperature is approximately 21°C (70°F) and the relative humidity is 40%. Most label manufacturers recommend printing in a temperature range of 18 to 24°C (65 to 75°F) with a relative humidity of 40 to 60%.
- Store cartons of media on a pallet or shelf, rather than directly on the floor.
- When storing individual packages of media out of the original carton, make sure they rest on a flat surface so the edges do not buckle or curl.

Do not place anything on top of the media packages.

Media specifications

Identifying media sources and specifications

The following tables provide information on standard and optional sources, including the media sizes available from the Paper Size menu, and supported weights.

Note: If a media size not listed needs to be used, select the next larger size.

For detailed information on label printing, characteristics, and design, see the *Card Stock & Label Guide*, available on the Lexmark Web site at www.lexmark.com/publications.

Media sizes and support

Legend ✓ — supported with size sensing † — supported without size sensing* ✗ — unsupported		500-sheet trays	Multi-purpose feeder	Optional high capacity feeder	Optional duplex unit	Optional envelope drawer	Optional banner tray	Optional 5-bin mailbox	Optional finisher		
									Standard	Offset	Staple
Media size	Dimensions										
A3	297 x 420 mm (11.7 x 16.5 in.)	✗	✗	✗	✗	✗	✗	✗	✗	✗	✗
A4	210 x 297 mm (8.27 x 11.7 in.)	✓	†	✓	✓	✗	✗	✓	✓	✓	✓
A5	148 x 210 mm (5.83 x 8.27 in.)	✓	†	✓	✓	✗	✗	✗	✓	✓	✓
JIS B4	257 x 364 mm (10.1 x 14.3 in.)	✗	✗	✗	✗	✗	✗	✗	✗	✗	✗
JIS B5	182 x 257 mm (7.17 x 10.1 in.)	✓	†	✓	✓	✗	✗	✓	✓	✓	✓
Letter	215.9 x 279.4 mm (8.5 x 11 in.)	✓	†	✓	✓	✗	✗	✓	✓	✓	✓
Legal	215.9 x 355.6 mm (8.5 x 14 in.)	✓	†	✓	✓	✗	✗	✓	✓	✓	✓
Executive	184.2 x 266.7 mm (7.25 x 10.5 in.)	✓	†	✓	✓	✗	✗	✓	✓	✓	✓
Folio	216 x 330 mm (8.5 x 13 in.)	†	†	✗	✓	✗	✗	✓	✓	✓	✓
Statement	139.7 x 215.9 mm (5.5 x 8.5 in.)	†	†	✗	✓	✗	✗	✗	✓	✓	✗
Tabloid	279 x 432 mm (11 x 17 in.)	✗	✗	✗	✗	✗	✗	✗	✗	✗	✗
Universal**	69.85 x 127 mm to 297 x 1219.2 mm (2.75 x 3.5 in. to 11.69 x 48 in.)	†	†	✗	†	✗	✗	✗	✓	✓	✓

* Supported as selected paper with tray size sensing turned off in the appropriate trays.

** When selected, the page is formatted for 215.9 x 355.6 mm (8.5 x 14 in.) unless otherwise specified.

Media specifications

Media sizes and support (continued)

Legend ✓ — supported with size sensing † — supported without size sensing [*] x — unsupported		Media size Dimensions	500-sheet trays	Multi-purpose feeder	Optional high capacity feeder	Optional duplex unit	Optional envelope drawer	Optional banner tray	Optional 5-bin mailbox	Optional finisher		
										Standard	Offset	Staple
		Banner	x	†	x	x	x	✓	x	x	x	x
		7 3/4 Envelope (Monarch)	x	†	x	x	†	x	x	x	x	x
		9 Envelope	x	†	x	x	†	x	x	x	x	x
		10 Envelope	x	†	x	x	†	x	x	x	x	x
		DL Envelope	x	†	x	x	†	x	x	x	x	x
		C5 Envelope	x	†	x	x	†	x	x	x	x	x
		B5 Envelope	x	†	x	x	†	x	x	x	x	x
		Other Envelope	x	†	x	x	†	x	x	x	x	x

^{*} Supported as selected paper with tray size sensing turned off in the appropriate trays.
^{**} When selected, the page is formatted for 215.9 x 355.6 mm (8.5 x 14 in.) unless otherwise specified.

Media support by type for optional features

Legend ✓ — supported x — unsupported	Media	500-sheet trays	Multi-purpose feeder	Optional high capacity feeder	Optional duplex	Optional envelope drawer	Optional banner tray	Optional 5-bin mailbox	Optional Finisher		
									Standard	Offset	Staple
	Paper	✓	✓	✓	✓	x	x	✓	✓	✓	✓
	Card stock	✓	✓	x	✓	x	x	x	✓	✓	✓
	Transparencies	✓	✓	x	x	x	x	x	✓	✓	x
	Paper and Vinyl labels	✓	✓	x	✓	x	x	x	✓	✓	x

Media specifications

Media support by type for optional features

Legend ✓ — supported ✗ — unsupported	Media	500-sheet trays	Multi-purpose feeder	Optional high capacity feeder	Optional duplex	Optional envelope drawer	Optional banner tray	Optional 5-bin mailbox	Optional Finisher		
									Standard	Offset	Staple
	Envelopes	✗	✓	✗	✗	✓	✗	✗	✗	✗	✗
	Glossy paper	✓	✓	✓	✓	✗	✗	✗	✓	✓	✗

Media types and weights (input options)

Media	Type	Media weight			Envelope drawer
		500-sheet trays	Multipurpose feeder	2000-sheet drawer	
Paper	Xerographic or business paper (used for simplex printing) ¹	60 to 74.9 g/m ² grain long (16 to 19.9 lb bond) ²	60 to 74.9 g/m ² grain long (16 to 19.9 lb bond) ²	60 to 74.9 g/m ² grain long (16 to 19.9 lb bond) ²	Not supported
	Xerographic or business paper (used for duplex printing)	75 to 176 g/m ² grain long (20 to 47 lb bond)	75 to 176 g/m ² grain long (20 to 47 lb bond)	75 to 176 g/m ² grain long (20 to 47 lb bond)	Not supported
Glossy papers	Book	88 to 176 g/m ² grain long (60 to 120 lb book)	88 to 176 g/m ² grain long (60 to 120 lb book)	88 to 176 g/m ² grain long (60 to 120 lb book)	Not supported
	Cover	162 to 176 g/m ² grain long (60 to 65 lb cover)	162 to 176 g/m ² grain long (60 to 65 lb cover)	162 to 176 g/m ² grain long (60 to 65 lb cover)	Not supported
Card stock—maximum (grain long) ^{2,3}	Index Bristol	163 g/m ² (90 lb)	163 g/m ² (90 lb)	Not recommended	Not supported
	Tag	163 g/m ² (100 lb)	163 g/m ² (100 lb)	Not recommended	Not supported
	Cover	176 g/m ² (65 lb)	176 g/m ² (65 lb)	Not recommended	Not supported
Card stock—maximum (grain short) ^{2,3}	Index Bristol	199 g/m ² (110 lb)	199 g/m ² (110 lb)	Not recommended	Not supported
	Tag	203 g/m ² (125 lb)	203 g/m ² (125 lb)	Not supported	Not supported
	Cover	216 g/m ² (80 lb)	216 g/m ² (80 lb)	Not supported	Not supported
Transparencies ²	Laser printer	161 to 169 g/m ² (43 to 45lb bond)	161 to 169 g/m ² (43 to 45lb bond)	Not supported	Not supported
Labels—maximum ^{2,4}	Paper	180 g/m ² (48 lb bond)	199 g/m ² (53 lb bond)	Not supported	Not supported

¹ Paper weighing less than 75 g/m² (20 lb bond) is limited to simplex printing only at less than 60% relative humidity.

² This paper weight in any source is not supported for duplex (two-sided) printing.

³ For 60 to 176 g/m² (16 to 47 lb bond) paper, grain long fibers are recommended. For papers heavier than 176 g/m² (47 lb bond), grain short is recommended.

⁴ Pressure sensitive area must enter the printer first.

⁵ 100% cotton content maximum weight is 90.2g/m² (24 lb) bond.

⁶ 105 g/m² (28 lb bond) envelopes are limited to 25% cotton content.

Media specifications

Media types and weights (input options) (continued)

Media	Type	Media weight			Envelope drawer
		500-sheet trays	Multipurpose feeder	2000-sheet drawer	
	Dual-web paper	180 g/m ² (48 lb bond)	199 g/m ² (53 lb bond)	Not supported	Not supported
	Polyester	220 g/m ² (59 lb bond)	220 g/m ² (59 lb bond)	Not supported	Not supported
	Vinyl	300 g/m ² (92 lb liner)	260 g/m ² (78 lb liner)	Not supported	Not supported
Envelopes²	Sulfite, wood-free or up to 100% cotton bonds	Not supported	60 to 105 g/m ² (16 to 28 lb bond) ^{5, 6}	Not supported	60 to 105 g/m ² (16 to 28 lb bond) ^{5, 6}

¹ Paper weighing less than 75 g/m² (20 lb bond) is limited to simplex printing only at less than 60% relative humidity.

² This paper weight in any source is not supported for duplex (two-sided) printing.

³ For 60 to 176 g/m² (16 to 47 lb bond) paper, grain long fibers are recommended. For papers heavier than 176 g/m² (47 lb bond), grain short is recommended.

⁴ Pressure sensitive area must enter the printer first.

⁵ 100% cotton content maximum weight is 90.2g/m² (24 lb) bond.

⁶ 105 g/m² (28 lb bond) envelopes are limited to 25% cotton content.

Media types and weights (output options)

Media	Type	Media weight				
		Standard output bin and optional output expander	5-bin mailbox	Optional finisher		
				Standard	Offset	Staple
Paper	Xerographic or business paper (used for simplex printing) ¹	60 to 74.9 g/m ² grain long (16 to 19.9 lb bond) ²	60 to 74.9 g/m ² grain long (16 to 19.9 lb bond) ²	60 to 74.9 g/m ² grain long (16 to 19.9 lb bond) ²	60 to 74.9 g/m ² grain long (16 to 19.9 lb bond) ²	60 to 74.9 g/m ² grain long (16 to 19.9 lb bond) ²
	Xerographic or business paper (used for duplex printing)	75 to 176 g/m ² grain long (20 to 47 lb bond)	75 to 90 g/m ² grain long (20 to 24 lb bond)	75 to 90 g/m ² grain long (20 to 24 lb bond)	75 to 90 g/m ² grain long (20 to 24 lb bond)	75 to 90 g/m ² grain long (20 to 24 lb bond)

¹ Paper weighing less than 75 g/m² (20 lb bond) is limited to simplex printing only at less than 60% relative humidity.

² This paper weight in any source is not supported for duplex (two-sided) printing.

³ For 60 to 176 g/m² (16 to 47 lb bond) paper, grain long fibers are recommended. For papers heavier than 176 g/m² (47 lb bond), grain short is recommended.

⁴ Pressure sensitive area must enter the printer first.

⁵ 100% cotton content maximum weight is 90.2g/m² (24 lb) bond.

⁶ 105 g/m² (28 lb bond) envelopes are limited to 25% cotton content.

Media specifications

Media types and weights (output options) (continued)

Media	Type	Media weight				
		Standard output bin and optional output expander	5-bin mailbox	Optional finisher		
				Standard	Offset	Staple
Glossy papers	Book	88 to 176 g/m ² grain long (60 to 120 lb book)	Not supported	88 to 176 g/m ² grain long (60 to 120 lb book)	88 to 176 g/m ² grain long (60 to 120 lb book)	Not supported
	Cover	162 to 176 g/m ² grain long (60 to 65 lb cover)	Not supported	162 to 176 g/m ² grain long (60 to 65 lb cover)	162 to 176 g/m ² grain long (60 to 65 lb cover)	Not supported
Card stock—maximum (grain long) ^{2,3}	Index Bristol	163 g/m ² (90 lb)	Not supported	163 g/m ² (90 lb)	163 g/m ² (90 lb)	Not supported
	Tag	163 g/m ² (100 lb)	Not supported	163 g/m ² (100 lb)	163 g/m ² (100 lb)	Not supported
	Cover	176 g/m ² (65 lb)	Not supported	176 g/m ² (65 lb)	176 g/m ² (65 lb)	Not supported
Card stock—maximum (grain short) ^{2,3}	Index Bristol	199 g/m ² (110 lb)	Not supported	199 g/m ² (110 lb)	199 g/m ² (110 lb)	Not supported
	Tag	203 g/m ² (125 lb)	Not supported	203 g/m ² (125 lb)	203 g/m ² (125 lb)	Not supported
	Cover	216 g/m ² (80 lb)	Not supported	216 g/m ² (80 lb)	216 g/m ² (80 lb)	Not supported
Transparencies ²	Laser printer	161 to 169 g/m ² (43 to 45 lb bond) ^{4,5}	Not supported	161 to 169 g/m ² (43 to 45 lb bond) ^{4,5}	161 to 169 g/m ² (43 to 45 lb bond) ^{4,5}	Not supported
Labels—maximum ^{2,4}	Paper	180 g/m ² (48 lb bond)	Not supported	180 g/m ² (48 lb bond)	180 g/m ² (48 lb bond)	Not supported
	Dual-web paper	180 g/m ² (48 lb bond)	Not supported	180 g/m ² (48 lb bond)	180 g/m ² (48 lb bond)	Not supported
	Polyester	220 g/m ² (59 lb bond)	Not supported	220 g/m ² (59 lb bond)	220 g/m ² (59 lb bond)	Not supported
	Vinyl	300 g/m ² (92 lb liner)	Not supported	300 g/m ² (92 lb liner)	300 g/m ² (92 lb liner)	Not supported
Envelopes ²	Sulfite, wood-free or up to 100% cotton bonds	60 to 105 g/m ² (16 to 28 lb. bond)	Not supported	Not supported	Not supported	Not supported

¹ Paper weighing less than 75 g/m² (20 lb bond) is limited to simplex printing only at less than 60% relative humidity.

² This paper weight in any source is not supported for duplex (two-sided) printing.

³ For 60 to 176 g/m² (16 to 47 lb bond) paper, grain long fibers are recommended. For papers heavier than 176 g/m² (47 lb bond), grain short is recommended.

⁴ Pressure sensitive area must enter the printer first.

⁵ 100% cotton content maximum weight is 90.2g/m² (24 lb) bond.

⁶ 105 g/m² (28 lb bond) envelopes are limited to 25% cotton content.

Media specifications

Media capacities

Legend ✓ — supported ✗ — unsupported					
Media type	500-sheet tray	Multipurpose feeder	Optional 2000-sheet tray	Optional envelope drawer	Optional banner tray
Paper	500 sheets*	100 sheets*	2000*	✗	✗
Card stock***	varies**	varies**	✗	✗	✗
Paper labels***	200	varies**	✗	✗	✗
Vinyl labels***	200	varies**	✗	✗	✗
Transparencies	350	varies**	✗	✗	✗
Envelopes	✗	10 of Com 10	✗	60	✗
Banner paper	✗	✗	✗	✗	50
* Based on 20 lb paper. ** Capacity will vary depending on weight and type of media. ***If you print large quantities of labels or other glossy print media, have your fuser housing replaced with a web oiler field upgrade kit.					

4

Maintaining the printer

Periodically, you need to complete certain tasks to maintain optimum print quality. These tasks are covered in this chapter.

If several people are using the printer, you may want to designate a key operator to do the setup and maintenance of your printer. Refer printing problems and maintenance tasks to this key operator.

In the U.S., contact Lexmark at 1-800-539-6275 for information about Lexmark Authorized Supplies Dealers in your area. In other countries or regions, visit the Lexmark Web site at www.lexmark.com or contact the place where you bought your printer.

Storing supplies

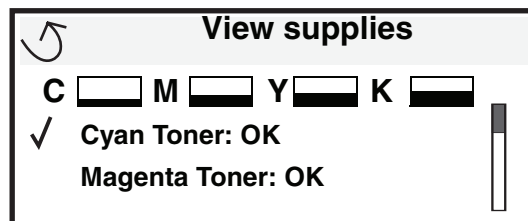
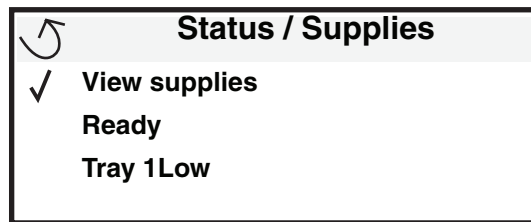
Choose a cool, clean storage area for your printer supplies. Store supplies right side up in their original packaging until you are ready to use them.

Do not expose supplies to:

- Direct sunlight
- Temperatures above 35°C (95°F)
- High humidity (above 80%)
- Salty air
- Corrosive gases
- Heavy dust

Determining the status of supplies

The printer operator panel alerts you once a supply item or maintenance is required. You can also view the status of supplies in your printer on the operator panel unless the printer is printing or in a busy state. The header or gray area at the top of the display will indicate the printer is **Ready** and lets you know if any trays are low. Selecting **Status / Supplies** on the display will open the **Status / Supplies** screen where you can view the status of the various trays and open the supplies screen to view the current status of your print cartridge.



Conserving supplies

Several settings in your application software or on the display let you conserve toner and paper. For more information on changing these settings, see the *Menus and Messages Guide*.

Supply	Menu selection item	What the setting does
Toner	Toner Darkness in the Settings → Quality Menu	Lets you adjust the level of toner released on a sheet of print media. The values range from 1 (lightest setting) to 5 (darkest setting).
Color toner	Color Saver in the Settings → Quality Menu	Prints colors less vividly to conserve your color toner.
Print media	Multipage Print in the Settings → Finishing Menu	Causes the printer to print two or more page images on one side of a sheet. Values for Multipage Print are 2 Up, 3 Up, 4 Up, 6 Up, 9 Up, 12 Up, and 16 Up. Combined with the duplex setting, Multipage Print lets you print up to 32 pages on one sheet of paper (16 images on the front and 16 on the back).
	Duplex in the Settings → Finishing Menu	Duplex printing is available when you attach the optional duplex unit. It lets you print on both sides of a sheet of paper.
	Use your software application or printer driver to send a Verify Print job.	Lets you examine the first copy of a multiple-copy job to be sure it is satisfactory before you print the other copies. If the job is unsatisfactory, you can cancel the job. For more information about a Verify Print job, see Holding a job in the printer .

Ordering supplies

To order supplies in the U.S., contact Lexmark at 1-800-539-6275 for information about Lexmark Authorized Supplies Dealers in your area. In other countries or regions, visit the Lexmark Web site at www.lexmark.com or contact the place where you bought your printer.

Note: All life estimates for printer supplies assume printing on letter or A4 size plain paper.

Print cartridges

The initial print cartridges that shipped with your printer will only operate in the printer those cartridges were shipped with. Attempting to use these initial print cartridges in any other printer, even if it is the same model, may result in a cartridge incompatibility failure message.

When the **88.yy <color> cartridge low** message appears or when you experience faded print, remove the print cartridge. Firmly shake it side-to-side and front-to-back several times to redistribute the toner, then reinsert it and continue printing. Repeat this procedure multiple times until the print remains faded. When the print remains faded replace the print cartridge. Have a new cartridge available when the current one no longer prints satisfactorily.

Maintaining the printer

The following is a list of cartridges you can order:

C780 / C782

- Black print cartridge
- Cyan print cartridge
- Magenta print cartridge
- Yellow print cartridge
- Black high yield print cartridge
- Cyan high yield print cartridge
- Magenta high yield print cartridge
- Yellow high yield print cartridge
- Black Return Program print cartridge
- Cyan Return Program print cartridge
- Magenta Return Program print cartridge
- Yellow Return Program print cartridge
- Black high yield Return Program print cartridge
- Cyan high yield Return Program print cartridge
- Magenta high yield Return Program print cartridge
- Yellow high yield Return Program print cartridge

C782

- Black high yield print cartridge
- Cyan extra high yield print cartridge
- Magenta extra high yield print cartridge
- Yellow extra high yield print cartridge
- Black extra high yield Return Program print cartridge
- Cyan extra high yield Return Program print cartridge
- Magenta extra high yield Return Program print cartridge
- Yellow extra high yield Return Program print cartridge

Toner waste container

When an 82 **Waste toner box nearly full** message appears on the display, you should order a new toner waste container. To order a new toner waste container, order part number 10B3100.

Fuser and ITU

Refer to the part number listed on the fuser or ITU for the appropriate reordering number for these items.

Ordering a fuser

Note: When the 87 **Fuser Life Warning** message appears on the display, you should order a new fuser. Order the correct type of fuser for your printer. Only order a web oiler fuser if an authorized servicer has installed a web oiler upgrade kit to allow your printer to print large quantities of vinyl or dual web labels.

Type of fuser	Printer voltage	Part number
Standard fuser or web oiler fuser	100 V (Japan)	40X1667
	115 V	40X1651
	220 V	40X1666

Ordering an image transfer unit and transfer roller

When the **83.yy ITU life warning** message appears on the display, you should order a new image transfer unit. Use part number 40X1680 to order an image transfer unit.

For more information about warning messages, see the *Menus and Messages Guide* on the publications CD

Ordering staple cartridges

Staple cartridges hold 3,000 staples. Use part number 11K3188 to order a pack of three staple cartridges.

Recycling Lexmark products

To return Lexmark products to Lexmark for recycling:

- 1 Visit our Web site:
www.lexmark.com/recycle
- 2 Follow the instructions on the computer screen.

5

Clearing paper jams


Identifying jams

If the printer jams, the appropriate jam message will be displayed on the printer operator panel. If you select **Show areas** on the operator panel, you can view one or more images to help you clear the jam.

**23.13 Paper jam,
2 pages jammed**

Continue

✓ Show areas

 **Show areas**

✓ Show duplex

Show rear door

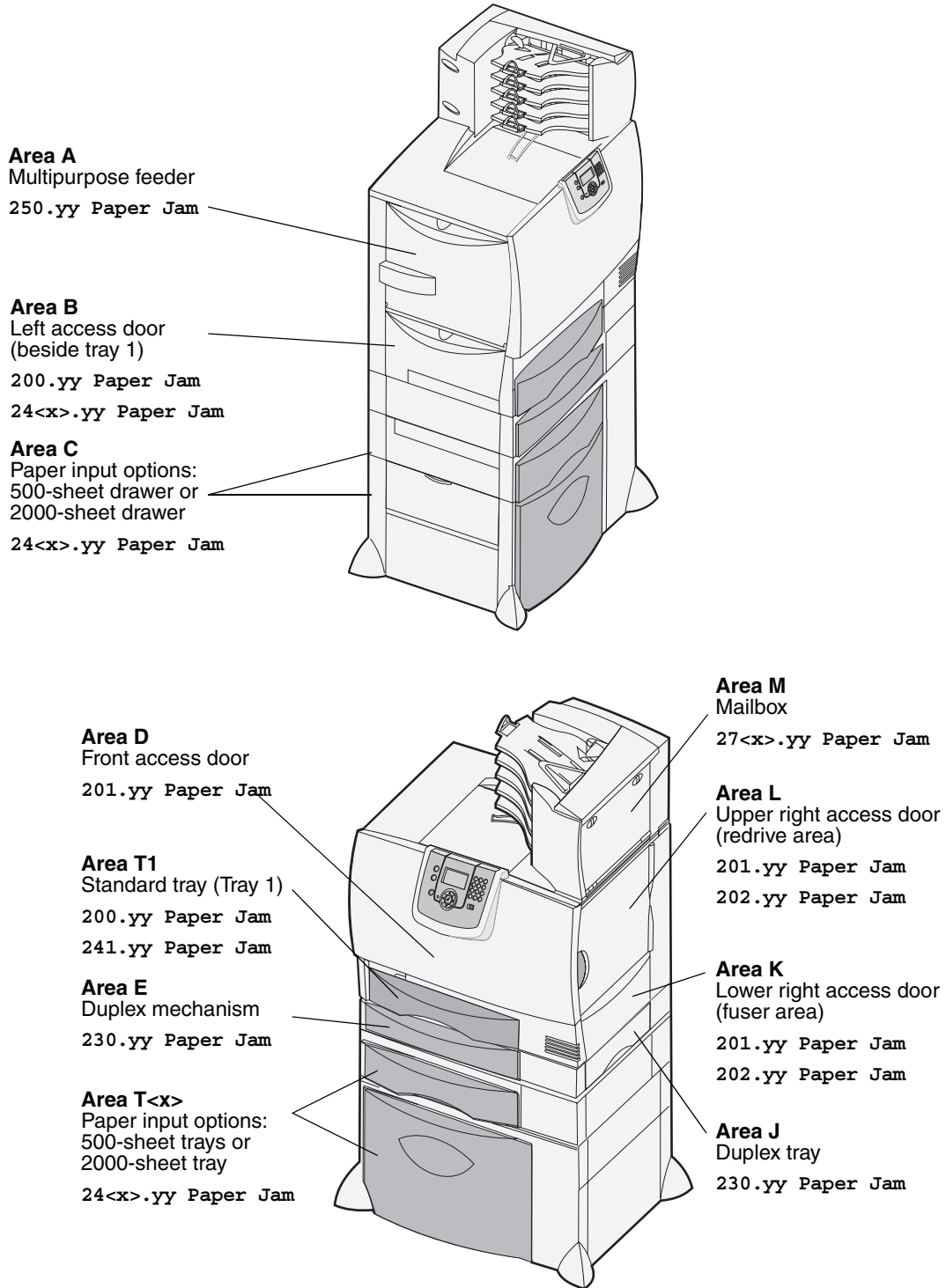


**1. Open
manual feed
door.**

See the diagram on **page 65** for an overview of the paper path and areas where jams may occur. The path varies depending on the paper source and output bins.

Access doors and trays

The following illustrations show areas where jams can occur.



Clearing paper jams

Understanding jam messages

Note: Always clear the entire paper path when you receive any jam message.

Paper jam messages

Message	Check Areas	What to do
200.yy Paper Jam (tray 1 and left access door beside tray 1)	B, T1	Follow the instructions for clearing Area B , and Area T1 . If the jam message persists, paper may be caught in the image transfer unit. For instructions, see Clearing image transfer unit jams .
201.yy Paper Jam (fuser area)	D, K, L	Follow the instructions for clearing Area D , Area K , and Area L . If the jam message persists, paper may be caught in the fuser. For instructions, see Clearing fuser jams .
202.yy Paper Jam (fuser area)	K, L	Follow the instructions for clearing Area K and Area L . If the jam message persists, paper may be caught in the fuser. For instructions, see Clearing fuser jams .
230.yy Paper Jam (duplex area)	E, J	Follow the instructions for clearing Area E and Area J .
24<x>.yy Paper Jam (trays 1–4)	B,C, T<x>	Follow the instructions for clearing Area B , Area C and Area T<x> .
250 Paper Jam (multipurpose feeder)	A,D	Follow the instructions for clearing Area A and Area D .
27<x>.yy Paper Jam (mailbox and output expander)	M	Follow the instructions for Clearing mailbox, finisher, or output expander jams (Area M) .

Clearing the entire paper path

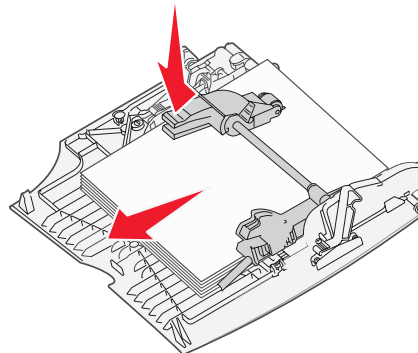
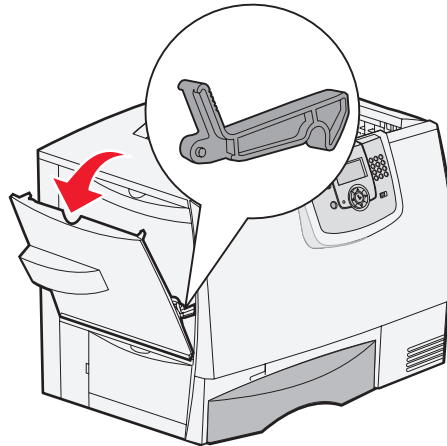
When a paper jam occurs, the printer stops operating and displays 2<xx>.yy **Paper Jam** and a message to clear certain printer areas.

After you have cleared the following areas, make sure all printer covers, doors, and trays are closed, and then press **Go** to resume printing.

Note: The printer also displays <x> **Pages Jammed**. Be sure to remove all the jammed pages before pressing **Go**.

Area A

- 1 If you are using the multipurpose feeder, release the levers on each side of the feeder to lay it flat.
- 2 Press the pick assembly release lever and remove all media and jams.
- 3 Return the feeder to its working position and reload your media.



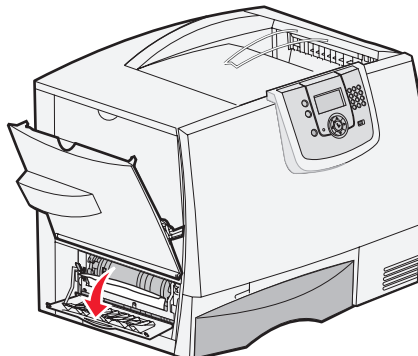
Area B

- 1 Open the left access door until it latches open.
- 2 Remove all visible media.

Note: Remove any torn media from the printer.

- 3 Close the door.

Note: Open Tray 1 and make sure the entire media stack is pushed all the way down into the tray.



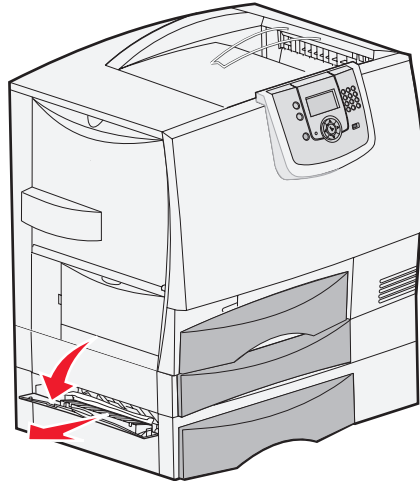
Clearing paper jams

Area C

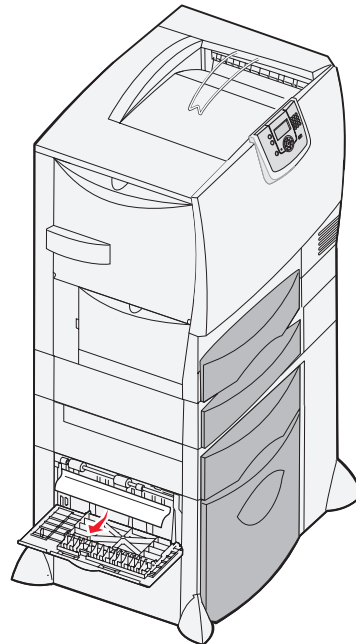
- 1 If you have one or more optional 500-sheet drawers:
 - a Open the 500-sheet drawer access door. Hold the door down while removing jams.

Note: Make sure the entire paper stack is loaded correctly and pushed all the way down into the tray.

 - b Close the door.



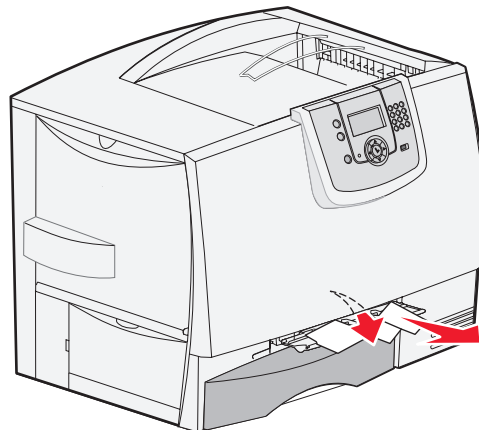
- 2 If you have an optional 2000-sheet drawer:
 - a Open the 2000-sheet drawer access door. Pull the jam down and out of the rollers.
 - b Close the door.



Area D

- 1 Open the front access door.
- 2 Hold down the front access door. Remove jams in the rollers under the image transfer unit.

Note: Any image printed will not be fused to the page.



Clearing paper jams

Area T1

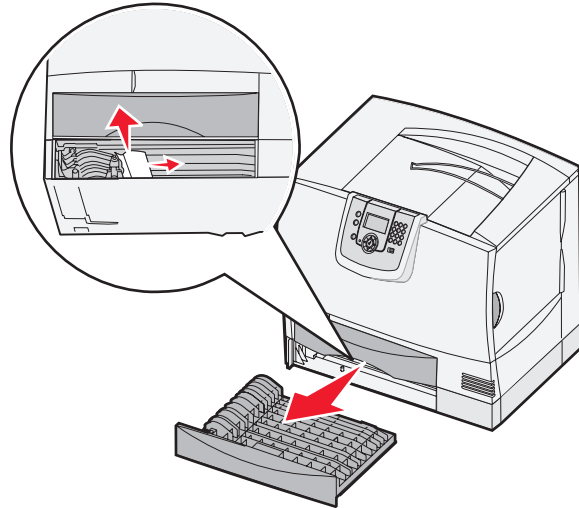
- 1 If clearing **Area B** did not clear the jam, then carefully open tray 1. Remove any jams.

Note: Make sure the paper is pushed all the way down into the tray.

- 2 Close tray 1.

Area E

- 1 Pull the duplex tray E completely out. Look inside and remove any paper caught in the rollers. Also, look up inside, as some jams may be above the rollers.
- 2 Reinstall the duplex mechanism in the printer.

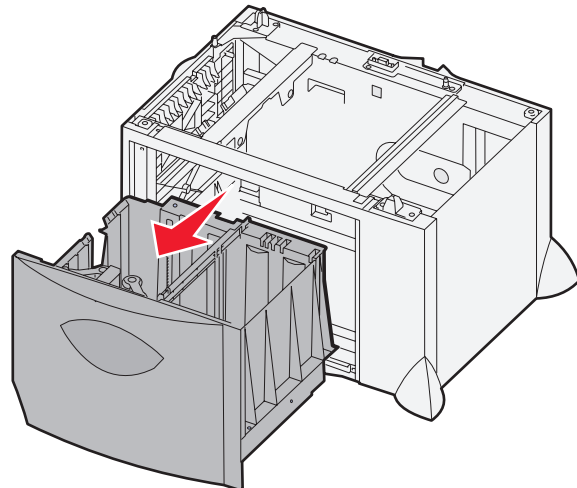


Area T<x>

- 1 If you cannot clear all the 500-sheet drawer jams from **Area C**:
 - a Carefully open trays 2 through 4 (all 500-sheet trays) and remove jams.

Note: Make sure the paper is pushed all the way down into the tray.

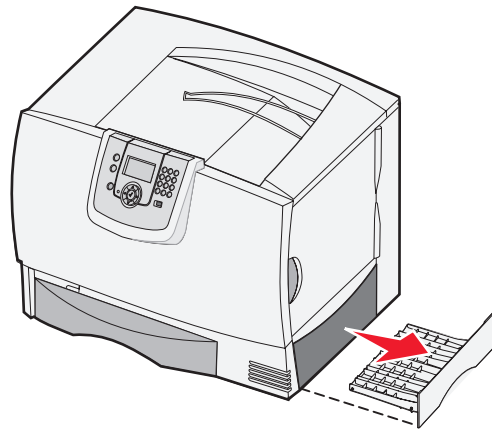
- b Close trays 2 through 4.
- 2 If you cannot clear the 2000-sheet drawer jam from **Area C**:
 - a Open the 2000-sheet drawer.
 - b Remove any jams, and then close the 2000-sheet drawer.



Clearing paper jams

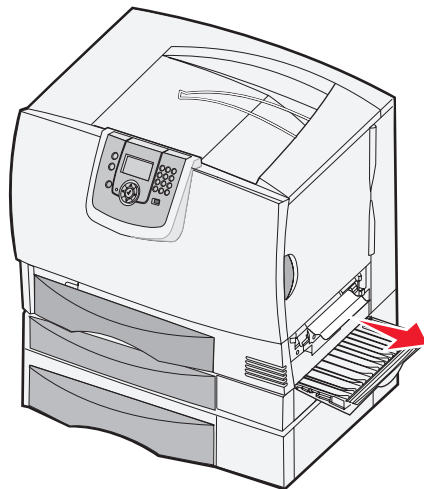
Area J

- 1 Remove the duplex tray J.
- 2 Remove any jams, and then reinstall the tray.



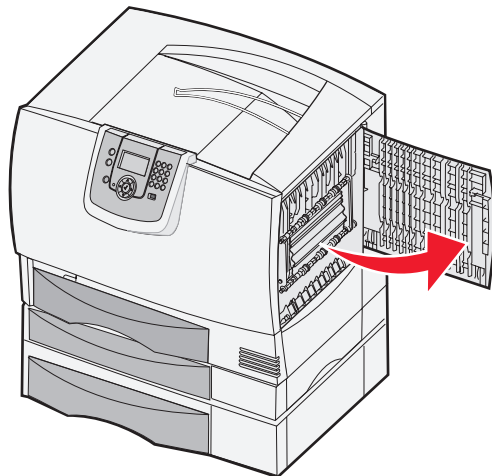
Area K

- 1 Open the lower right access door.
- 2 Remove any jams, and then close the door.



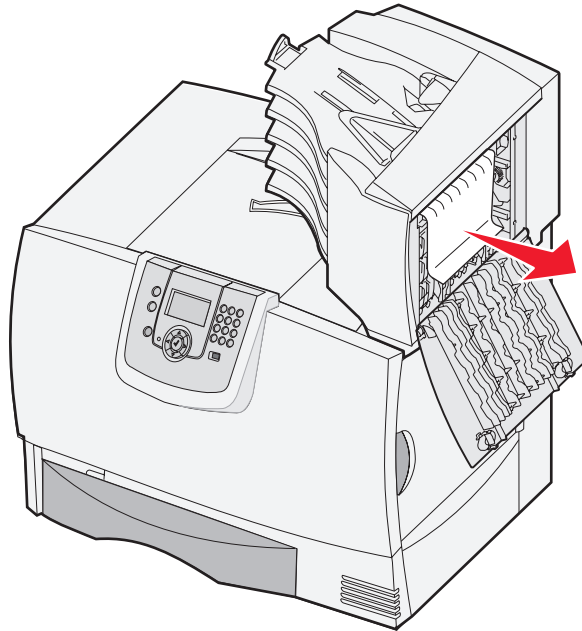
Area L

- 1 Open the upper right access door.
- 2 Remove jams from the rollers, and then close the door.



Clearing mailbox, finisher, or output expander jams (Area M)

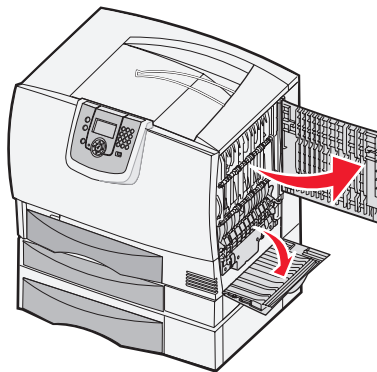
- 1 Open the rear door of the 5-bin mailbox or output expander.



- 2 Pull the jam straight out, and then close the door.

Clearing fuser jams

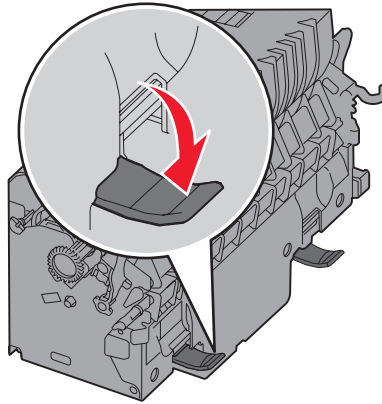
- 1 Clear the paper path. If the jam error message persists, go to step 2.
- 2 Open both the upper right and the lower right access doors (Areas K and L).



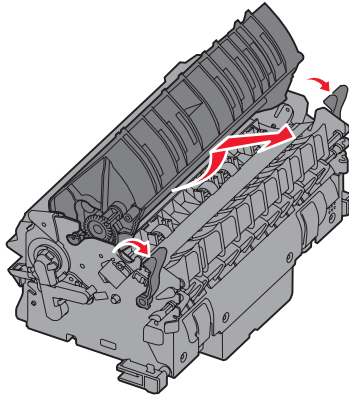
CAUTION: The fuser assembly may be hot. Let it cool before continuing.

Clearing paper jams

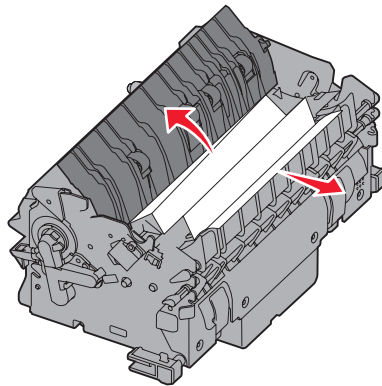
- 3 Pull down the latches. They slide toward the center to release the fuser.



- 4 Pull the fuser out, and set it on a clean, flat surface.
- 5 Unsnap the housing and set it aside.



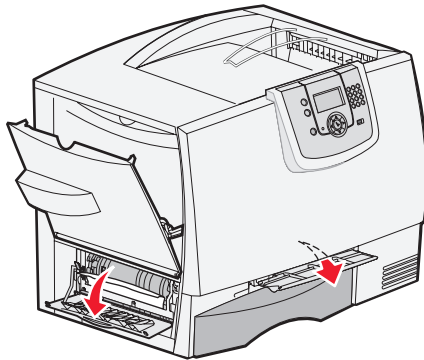
- 6 Lift up the fuser roller cover and remove the jam.



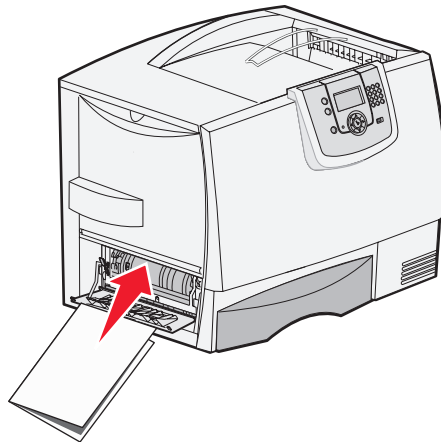
- 7 Close the fuser roller cover.
- 8 *Snap* the housing back onto the fuser.
- 9 Insert the fuser back into the printer.
- 10 Slide the latches out, and then pull up to refasten them.
- 11 Close the doors.

Clearing image transfer unit jams

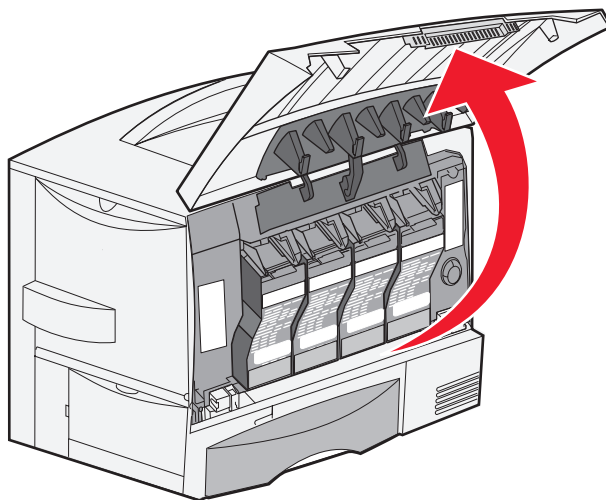
- 1 Open the front access door and the left access door.



- 2 While holding down the front access door, insert a folded piece of paper as shown to clear the paper sensors under the image transfer unit. Make sure to clear the entire width of the paper path.

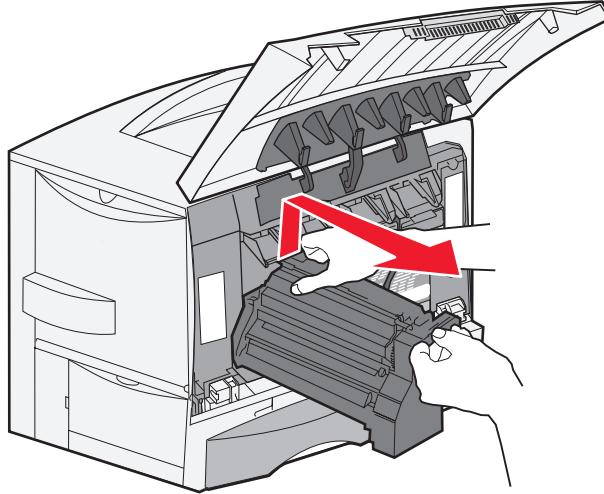


- 3 Close the left access door and the front access door. If the jam persists, continue with **step 4**.
- 4 Turn the printer off. Open the front cover.

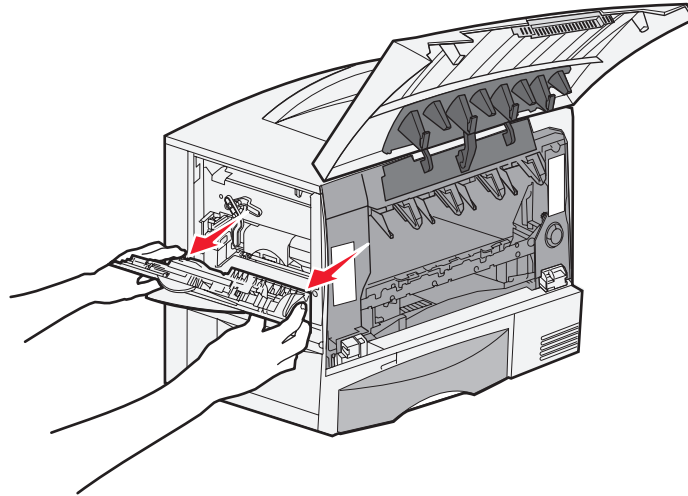


Clearing paper jams

- 5 Remove all the print cartridges.
 - a Pull up slightly on the cartridge handhold.
 - b Pull the cartridge straight out and use the handle to lift it off the guides.
 - c Place the cartridges on a clean, flat surface out of direct light.

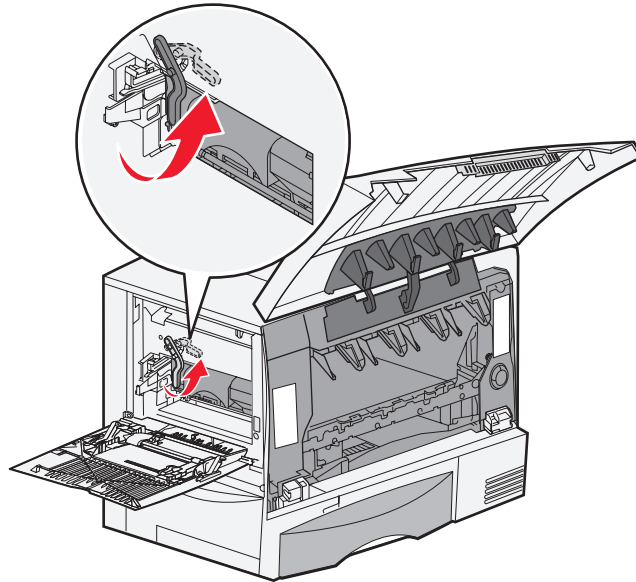


- 6 Release the latches to open the multipurpose feeder (area A) all the way.

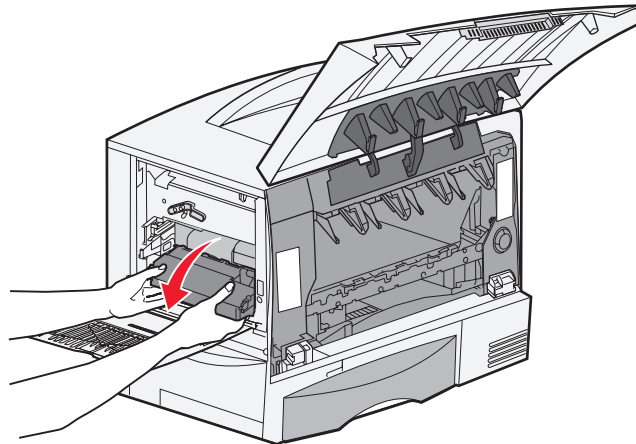


Clearing paper jams

- 7 Remove the image transfer unit.
 - a Raise the lever to unlock the image transfer unit.

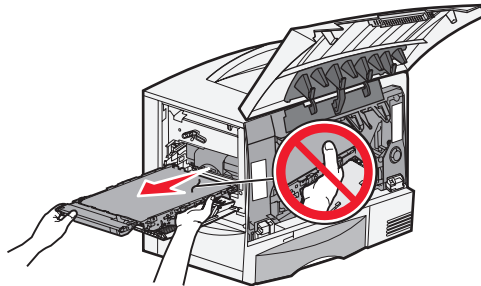


- b Pull down on the handle.



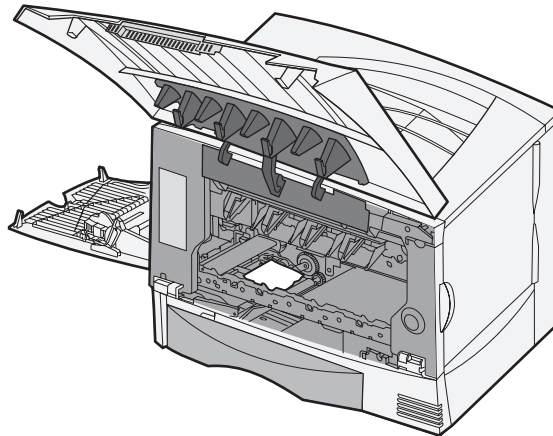
- c Slide the image transfer unit out and place it on a clean, flat surface.

Warning: Do not touch the transfer belt. Touching the belt will damage the image transfer unit.

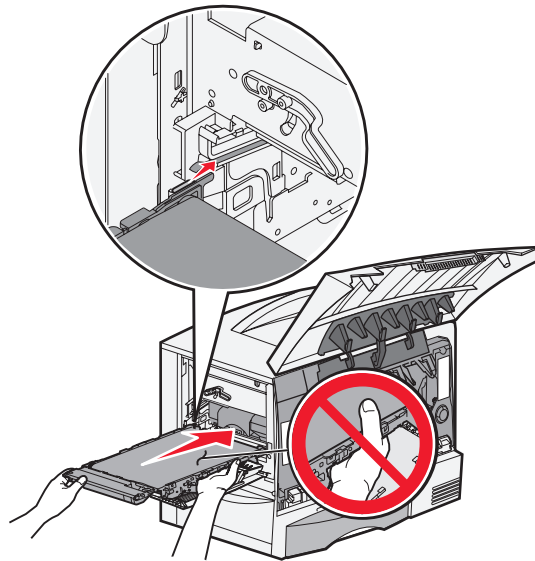


Clearing paper jams

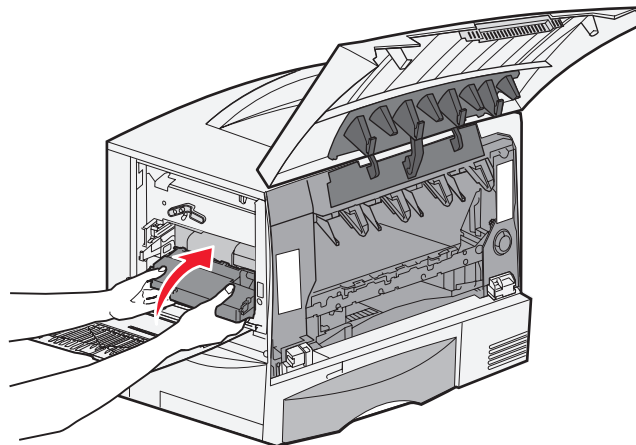
- 8 Look inside the printer. Remove all torn paper or other jams.



- 9 Insert the image transfer unit back into the printer.
a Align the guides with the insertion grooves and gently slide the unit in.

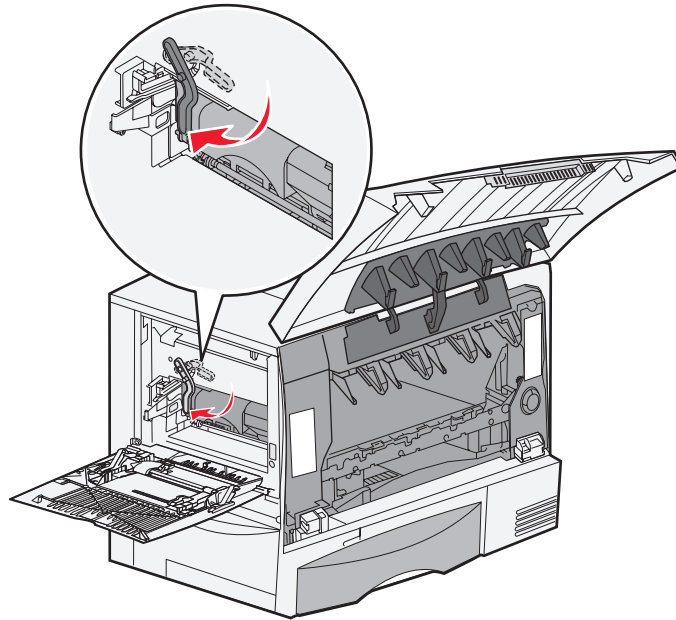


- b Rotate the handle up, and push gently to lock the unit in place.

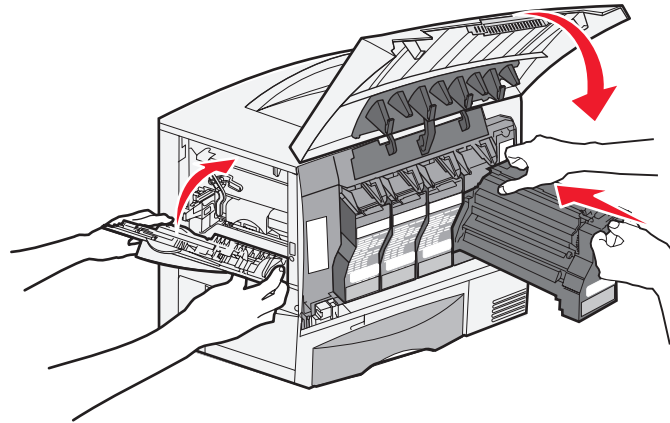


Clearing paper jams

- c Lower the lever to lock the image transfer unit into place.



- 10 Return the multipurpose feeder to its working position.
Reinstall all the print cartridges.



- 11 Close the printer door.
12 Turn the printer on. The printer returns to a Ready state.

If you still need help

- 1 Turn the printer off and then back on.
- 2 Contact your administrator or Help desk if you need more assistance.











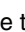


6

Administrative support

Adjusting operator panel brightness and contrast

The LCD operator panel contrast and brightness can be adjusted through the Utilities menu. For more information, see the *Menus and Messages Guide*.

The LCD Brightness and LCD Contrast settings are adjusted separately. To change the LCD Brightness or LCD Contrast settings:

- 1 Make sure your printer is on.
- 2 Press  on the operator panel.
- 3 Press  until  **Settings** appears, and then press .
- 4 Press  until  **Utilities Menu** appears, and then press .
- 5 Press  until  appears next to the LCD setting you want to change, and then press .
- 6 Press  to increase the brightness or contrast, or press  to decrease the brightness or contrast.
- 7 When the adjustment is complete, press .

This saves this setting as the new user default and the printer returns to **Ready**.



Disabling operator panel menus

Since many people could be using the printer, an administrator may choose to lock the operator panel menus to keep others from changing menu settings from the operator panel.







To disable the operator panel menus so that changes cannot be made to the printer default settings:

- 1 Turn the printer off.




Note: Disabling the operator panel menus does not prevent access to Print and Hold functionality.

- 2 Press and hold  and  while turning the printer on.
- 3 Release both buttons when **Performing Self Test** appears on the display.

The printer performs its power-on sequence, and then **Config Menu** appears on the first line of the display.

- 4 Press  until  **Panel Menu** appears, and then press .
- 5 Press  until  **Disable** appears, and then press .



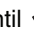


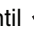


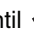


The following messages appear briefly: **Submitting Selection** and **Disabling Menus**. The operator panel returns to **Panel Menu**.

- 6 Press  until  **Exit Config Menus** appears, and then press .

Activating Menu Changes appears. The menus are disabled.

Resetting the Printer appears briefly followed by a clock. The operator panel then returns to **Ready**.

Enabling operator panel menus

- 1 Turn the printer off.
- 2 Press and hold  and  while turning the printer on.
- 3 Release both buttons when **Performing Self Test** appears on the display.
The printer performs its power-on sequence, and then **Config Menu** appears on the first line of the display.
- 4 Press  until  **Panel Menu** appears, and then press .
- 5 Press  until  **Enable** appears, and then press .
- The following messages appear briefly in succession: **Submitting Selection** and **Enabling Menus**.
The operator panel returns to **Panel Menu**.
- 6 Press  until  **Exit Config Menu** appears, and then press .
- Activating Menu Changes** appears. The menus are enabled.
Resetting the Printer appears briefly followed by a clock. The operator panel then returns to **Ready**.


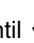











Restoring factory default settings

When you first enter the printer menus from the operator panel, you may notice an asterisk (*) to the left of a value in the menus. This asterisk indicates the *factory default setting*. These settings are the original printer settings. (Factory defaults may vary for different regions.)

When you select a new setting from the operator panel, **Submitting Selection** appears. When the Submitting Selection message disappears, an asterisk appears next to the setting to identify it as the current *user default setting*. These settings are active until new ones are stored or the factory defaults are restored.

To restore the original printer factory default settings:

Warning: All downloaded resources (fonts, macros, and symbol sets) in printer memory (RAM) will be deleted. (Resources residing in flash memory or on the optional hard disk remain unaffected.)











- 1 Make sure the printer is on and **Ready** appears on the display.
- 2 Press  on the operator panel.
- 3 Press  until  **Settings** appears, and then press .
- 4 Press  until  **Setup Menu** appears, and then press .
- 5 Press  until  **Factory Defaults** appears, and then press .
- 6 Press  until  **Restore Now** appears, and then press .
- 7 The message **Restoring Factory Defaults** appears, followed by the **Ready** message.

When you select Restore:

- No other button actions are available on the operator panel while **Restoring Factory Defaults** appears.
- All menu settings return to the factory default values, except:
 - The operator panel Display Language setting in the Setup menu
 - All settings under the Network/Ports menu

Adjusting Power Saver

To adjust the **Power Saver** setting:

- 1 Make sure the printer is on and **Ready** appears on the display.
- 2 Press  on the operator panel.
- 3 Press  until  **Settings** appears, and then press .
- 4 Press  until  **Setup Menu** appears, and then press .
- 5 Press  until  **Power Saver** appears, and then press .
- 6 Using the right and left arrows on the operator panel, enter the number of minutes for the printer to wait before entering Power Saver.

The settings available range from 1–240 minutes.

- 7 Press .
















Submitting Selection appears.

Note: You can also adjust the Power Saver setting by issuing a Printer Job Language (PJL) command. For more information, see the *Technical Reference* available on the Lexmark Web site at www.lexmark.com/publications.






Encrypting the disk

Warning: All resources on the hard disk and RAM will be deleted.

Note: This setting is only available when a hard disk is installed.

- 1 Turn the printer off.
- 2 Press and hold  and  while turning the printer on.
- 3 Release both buttons when **Performing Self Test** appears on the display.
The printer performs its power-on sequence, and then **Config Menu** appears on the first line of the display.
- 4 Press  until  **Disk Encryption** appears, and then press .
- 5 Press  until  **Enable** appears, and then press .
- Contents will be lost. Continue?** appears.
- 6 Press  until  **Yes** appears, and then press .
- The Encrypting Disk progress bar appears.
- 7 When disk encryption has finished, press .
- 8 Press  until  **Exit Config Menu** appears, and then press .

To disable disk encryption:

- 1 Turn the printer off.
- 2 Press and hold  and  while turning the printer on.
- 3 Release both buttons when **Performing Self Test** appears on the display.
The printer performs its power-on sequence, and then **Config Menu** appears on the first line of the display.
- 4 Press  until  **Disk Encryption** appears, and then press .

- 5 Press ▼ until ✓ **Disable** appears, and then press ✓.
Contents will be lost. Continue? appears.
- 6 Press ▼ until ✓ **Yes** appears, and then press ✓.
The Encrypting Disk progress bar appears.
- 7 When disk encryption has finished, press ↻.
- 8 Press ▼ until ✓ **Exit Config Menu** appears, and then press ✓.

Setting security using the Embedded Web Server (EWS)

You can enhance the security of network communications and device configuration by using the advanced security options. These features are available through the Web page of the device.

Setting the system password

Setting the system password protects configuration of the Embedded Web Server. A system password is also required for Secure mode and confidential communication with MVP.

To set the system password:

- 1 Open your Web browser. In the address line, enter the IP address of the printer you want to configure using the format: *http://ip_address/*.
- 2 Click **Configuration**.
- 3 Under Other Settings, click **Security**.
- 4 Click **Create Password**, if one has not been set previously. If a password has already been set, click **Change or Remove Password**.

Using the secure Embedded Web Server

The SSL (Secure Sockets Layer) allows for secure connections to the Web server within the print device. You can connect to the Embedded Web Server more securely by connecting to the SSL port instead of the default HTTP port. The SSL port connection will encrypt all Web server network communications between the PC and the printer. To connect to the SSL port:

Open your Web browser. In the address line, enter the IP address of the printer you want to configure using the format: *https://ip_address/*.

Supporting SNMPv3 (Simple Network Management Protocol version 3)

SNMPv3 protocol allows for encrypted and authenticated network communications. It also lets the administrator select a desired level of security. Prior to use, at least one user name and password must be established from the settings page. To configure for SNMPv3 through the Embedded Web Server of the printer:

- 1 Open your Web browser. In the address line, enter the IP address of the printer you want to configure using the format: *http://ip_address/*.
- 2 Click **Configuration**.
- 3 Under Other Settings, click **Network/Ports**.
- 4 Click **SNMP**.

SNMPv3 authentication and encryption has three levels of support:

- No authentication and no encryption
- Authentication with no encryption
- Authentication and encryption

Note: Only the selected level and later may be used to communicate.

Supporting IPSec (Internet Protocol Security)

IP Security protocol provides authentication and encryption of communications at the network layer allowing all application and network communications over the IP protocol to be secure. IPSec can be set up between the printer and up to five hosts, using both IPv4 and IPv6. To configure IPSec through the Embedded Web Server:

- 1** Open your Web browser. In the address line, enter the IP address of the printer you want to configure using the format: *http://ip_address/*.
- 2** Click **Configuration**.
- 3** Under Other Settings, click **Network/Ports**.
- 4** Click **IPSec**.

Two types of authentication are supported for IPSec:

- **Shared Key Authentication**—Any ASCII phrase shared among all the participating hosts. This is the easiest way to configure when only a few hosts on the network use IPSec.
- **Certificate Authentication**—Allows any hosts or subnet of hosts to authenticate for IPSec. Each host must have a public/private key pair. *Validate Peer Certificate* is enabled by default, requiring each host to have a signed certificate and the authority certificate must be installed. Each host must have its identifier in the *Subject Alternate Name* of the signed certificate.

Note: After a device is configured for IPSec with a host, IPSec is required for any IP communication to take place.

Using Secure mode

You can configure the TCP and UDP ports to one of three modes:

- **Disabled**—Never allows network connections to this port.
- **Secure and Unsecure**—Allows the port to remain open, even in Secure mode.
- **Unsecured Only**—Allows the port to only open when the printer is not in Secure mode.

Note: A password must be set to enable Secure mode. Once enabled, only the ports set to Secure and Unsecure will be open.

To configure the Secure mode for TCP and UDP ports from the Embedded Web Server:

- 1** Open your Web browser. In the address line, enter the IP address of the printer you want to configure using the format: *http://ip_address/*.
- 2** Click **Configuration**.
- 3** Under Other Settings, click **Network/Ports**.
- 4** Click **TCP/IP Port Access**.

Note: Disabling ports will disable function on the printer.

Using 802.1x Authenticating

802.1x port authentication allows the printer to join networks that require authentication before allowing access. 802.1x port authentication can be used with the WPA (Wi-Fi Protected Access) feature of an optional internal wireless print server to provide WPA-Enterprise security support.

Support for 802.1x requires the establishment of credentials for the printer. The printer must be known to the Authentication Server (AS). The AS will allow network access to devices presenting a valid set of credentials which typically involves a name/password combination and possibly a certificate. The AS will allow network access to printers presenting a valid set of credentials. You can manage the credentials by using the Embedded Web Server of the printer. To use certificates as part of the credentials:

- 1 Open your Web browser. In the address line, enter the IP address of the printer you want to configure using the format: *http://ip_address/*.
- 2 Click **Configuration**.
- 3 Under Other Settings, click **Network/Ports**.
- 4 Click **Certificate Management**.

To enable and configure 802.1x on the Embedded Web Server after installing the required certificates:

- 1 Open your Web browser. In the address line, enter the IP address of the printer you want to configure using the format: *http://ip_address/*.
- 2 Click **Configuration**.
- 3 Under Other Settings, click **Network/Ports**.
- 4 Click **802.1x Authentication**.

Note: If an optional internal wireless print server is installed, click **Wireless** instead of **802.1x Authentication**.

Locking the operator panel menus

Operator Panel Menu Lockout lets you create a PIN number and choose specific menus to lock. Each time a locked menu is selected, the user will be prompted to enter the correct PIN at the operator panel. The PIN does not affect any access through the EWS. To lock operator panel menus:

- 1 Open your Web browser. In the address line, enter the IP address of the printer you want to configure using the format: *http://ip_address/*.
- 2 Click **Configuration**.
- 3 Under Other Settings, click **Security**.
- 4 Click **Menu Lockout Setup**.

Printing Lockout

Printing Lockout lets you lock or unlock a printer using an assigned PIN. When locked, every job the printer receives will buffer to the hard disk. A user can print jobs only by entering the correct PIN on the operator panel. You can assign a PIN through the Web page of the device.

Note: This setting is only available when a hard disk is installed.

Note: Back channel data will be processed while the printer is locked. Reports such as user or event logs can be retrieved from a locked printer.

To set Printing Lockout:

- 1 Open your Web browser. In the address line, enter the IP address of the printer you want to configure using the format: *http://ip_address/*.
- 2 Click **Configuration**.
- 3 Under Other Settings, click **Security**.
- 4 Click **Printer Lockout PIN**.

Confidential Print Setup

Confidential Print Setup lets you designate a maximum number of PIN entry attempts and set an expiration time for print jobs. When a user exceeds a specific number of PIN entry attempts, all of that user's print jobs are deleted. When a user has not printed their jobs within a designated time period, the print jobs are deleted. To activate Confidential Print Setup:

Note: This feature is only available on network models.









- 1 Open your Web browser. In the address line, enter the IP address of the printer you want to configure using the format: *http://ip_address/*.
- 2 Click **Configuration**.
- 3 Under Other Settings, click **Security**.
- 4 Click **Confidential Print Setup**.

Black only mode

In black only mode, all colors print in grayscale. The printer prints fastest when in black only mode. Black only mode is off by default. Be sure to select black only mode both in the driver and through the printer operator panel.

Under certain circumstances after printing a job in black only mode, the printer may enter an energy-saving mode, which may increase the time to first page for the next print job.










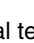
To turn on black only mode through the printer operator panel:

- 1 Turn the printer off.
- 2 Press and hold  and  while turning the printer on.
- 3 Release both buttons when **Performing Self Test** appears on the display.
The printer performs its power-on sequence, and then **Config Menu** appears on the first line of the display.
- 4 Press  until  **Black Only Mode** appears, and then press .
- 5 Press  until  **On** appears, and then press .

Aligning the image transfer unit

For best print quality, make sure you align the image transfer unit after replacement or if colors print too lightly.

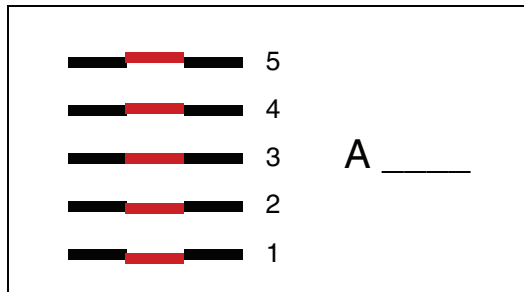
To align the image transfer unit:

- 1 Make sure your printer is on.
- 2 Press  on the operator panel.
- 3 Press  until  **Settings** appears, and then press .
- 4 Press  until  **Utilities Menu** appears, and then press .
- 5 Press  until you see **Color Alignment**, and then press .
- 6 Press  to print alignment test pages.





Several test pages print.

- 7 For each alignment group on the test pages, locate the number next to the alignment pattern that comes closest to forming a perfectly straight line.

For example, in this sample group, pattern 3 comes closest to forming a straight line.










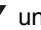

It is helpful to write all twelve alignment values in the lines provided on the test pages before going on to step 8. You must select a value for all twelve settings.

- 8 When you see **A=10** (or other number), press  until you find the number value you want to use, and then press . A **Saved** message briefly appears and then the next test alignment is displayed.
If no changes are necessary, press  to return to the Utilities Menu.
 - 9 After you have completed all twelve settings, **Utilities Menu** appears. Press .
- The printer returns to the Ready state.

Using the Coverage Estimator

The Coverage Estimator provides you with an estimate of the percent coverage of cyan, magenta, yellow, and black toner on a page. These estimates are printed on the page.

To turn on the Coverage Estimator utility:

- 1 Make sure your printer is on.
- 2 Press  on the operator panel.
- 3 Press  until  **Settings** appears, and then press .
- 4 Press  until  **Utilities Menu** appears, and then press .
- 5 Press  until you see **On**, and then press .

The utility can be turned off from the operator panel or by turning the printer off.

The Coverage Estimator utilizes an algorithm that counts pixels for each toner color: black, cyan, magenta, and yellow. Once the utility is turned on, the printer prints the percent coverage for each color on each page of the job.



The Coverage Estimator is only intended to estimate the coverage on a given page. For all toner colors that are used, the minimum percentage that prints is 2 percent. Reported values may vary from printer to printer. The accuracy of the estimates may be affected by how full the print cartridges are, environmental conditions, the media type, the software application, software settings, the driver, driver settings, and the content of the page. *Lexmark makes no claim as to the accuracy of the estimated percents.*

Size sensing




The Size Sensing menu item lets you disable or enable auto size sensing on trays. Size Sensing also lets the printer detect the difference between similar paper sizes that it otherwise cannot.

Size sensing is on by default for all the trays. However, the trays cannot automatically sense transparencies.




Disabling size sensing

- 1 Turn the printer off.
- 2 Press and hold  and  while turning the printer on.
- 3 Release both buttons when **Performing Self Test** appears on the display.




The printer performs its power-on sequence, and then **Config Menu** appears on the first line of the display.

Press  until  **Size Sensing** appears, and then press .

Note: Only paper trays that support auto size sensing are displayed on the operator panel.




- 4 Press  until  **Tray <x> Sensing** appears, where <x> represents the number of the tray for which you want to disable size sensing, and then press .

Repeat for other trays, if necessary.

- 5 Press  until  **off** appears, and then press .

Saved briefly appears. **Config Menu** appears again with **Size Sensing** on the second line.

- 6 Press .

- 7 Press  until  **Exit Config Menu** appears, and then press .

Activating Menu Changes briefly appears, followed by **Performing Self Test**. The printer returns to the **Ready** message.

Configuring printer alerts

You can configure the printer several ways to let you know when it requires attention.

Using the Setup Menu

Menu item	Function	Value	Result
Alarm Control	Lets you establish whether the printer sounds an alarm when it requires operator intervention.	Off	The alarm does not sound, but printing stops until the messages are cleared.*
		Single	The printer stops printing, displays a message, and activates the selected alarm type.
		Continuous	
Toner Alarm	Lets you choose how the printer responds when toner is low.	Off	The printer displays a message and continues printing.
		Single	The printer stops printing, displays a message, and activates the selected alarm type.
		Continuous	

* If multiple attendance conditions are pending, the alarm only sounds when the first message is displayed. No additional alarms sound as subsequent attendance conditions arise.

Selecting Auto Continue may affect how the printer alerts execute. This setting defines how long the printer waits after displaying a message before it resumes printing.

Using MarkVision Professional

MarkVision™ Professional, the network printer management utility, indicates when it is time to replace supplies and points out actual or potential problems. When a printer needs attention, it alerts the network administrator with a detailed graphic of the printer showing the cause for the alert (for example, an empty paper tray). For more information about MarkVision Professional, refer to the *Software and Documentation* CD that shipped with your printer.

Using MarkVision Messenger

MarkVision Messenger lets you create Actions that execute specific commands whenever messages like **Tray x Missing** or **88 Toner Low** appear on the display. For example, you can create an Action that sends an e-mail to the administrator when the printer runs out of paper.

Actions can be set up to occur automatically, as well as conditionally or repeatedly. For more information about MarkVision Messenger, refer to the *Software and Documentation* CD that shipped with your printer.



Troubleshooting

Online customer support

Customer support is available on the Lexmark Web site at www.lexmark.com.

Calling for service

When you call for printer service, describe the problem you are experiencing, the message on the display, and the troubleshooting steps you have already taken to find a solution.

You need to know your printer model type and serial number. See the label behind the toner waste container door of the printer for this information. The toner waste container door is on the left side of the printer.

The serial number is also listed on the menu settings page. For more informations, see **Printing a menu settings page**.

For service in the U.S. or Canada, call 1-800-Lexmark (1-800-539-6275). For other countries/regions, visit the Lexmark Web site at www.lexmark.com

Note: When calling for service, call from the location of the printer.

Checking an unresponsive printer



If your printer is not responding, first make sure:

- The power cord is plugged into the printer and a properly grounded electrical outlet.
- The electrical outlet is not turned off by any switch or breaker.
- The printer is not plugged into any surge protectors, uninterrupted power supplies, or extension cords.
- Other electrical equipment plugged into the outlet is working.
- The printer is turned on.
- The printer cable is securely attached to the printer and the host computer, print server, option, or other network device.

Printing multi-language PDFs

Symptom	Cause	Solution
Some maintenance and troubleshooting documents do not print.	The documents contain unavailable fonts.	<ol style="list-style-type: none">1 Open the document you want to print in Adobe Acrobat.2 Click the printer icon. The Print dialog box appears.3 Check the Print as image box. Note: For Acrobat 7.x or later, click the advanced button to display the Print as Image option.4 Click OK.

Solving printing problems

Symptom	Cause	Solution
The operator panel display is blank or displays only diamonds.	The printer self test failed.	Turn the printer off, wait about 10 seconds, and turn the printer back on. Performing Self Test appears on the display. When the test is completed, the Ready message is displayed. If the messages do not appear, turn the printer off and call for service.
The message Error reading USB drive appears when using a USB device.	The USB device you are using may not be supported or has an error. Only specific USB flash memory devices are supported.	For information regarding tested and approved USB flash memory devices, see the Lexmark Web site at www.lexmark.com .
Jobs do not print.	The printer is not ready to receive data.	Make sure Ready or Power Saver appears on the display before sending a job to print. Press  to return the printer to the Ready state.
	The specified output bin is full.	Remove the stack of paper from the output bin, and then press  .
	The specified tray is empty.	Load paper in the tray.
	You are using the wrong printer driver or are printing to a file.	<ul style="list-style-type: none"> Verify that you selected the printer driver associated with the Lexmark C780, C782. If you are using a USB port, make sure you are running Windows Vista, Windows 2000, Windows XP, or Windows Server 2003 and using a Windows Vista, Windows 2000, Windows XP, or Windows Server 2003 compatible printer driver.
	Your MarkNet N8000 series internal print server is not set up properly or is not connected properly.	Verify that you have properly configured the printer for network printing. See the <i>Software and Documentation</i> CD or go to the Lexmark Web site for information.
	You are using the wrong interface cable, or the cable is not securely connected.	Make sure you are using a recommended interface cable. Make sure the connection is secure.
Held jobs do not print.	A formatting error has occurred.	<ul style="list-style-type: none"> Print the job. (Only part of the job may print.) Delete the job.
	The printer has insufficient memory.	<ul style="list-style-type: none"> Free up additional printer memory by scrolling through the list of held jobs and deleting others you have sent to the printer.
	The printer has received invalid data.	Delete the job.
Job takes longer than expected to print.	The job is too complex.	Reduce the complexity of your print job by eliminating the number and size of fonts, the number and complexity of images, and the number of pages in the job.
	Page Protect is set to On.	Set Page Protect to Off from Print Recovery . For more information, see the <i>Menus and Messages Guide</i> .

Troubleshooting

Symptom	Cause	Solution
Job prints from the wrong tray or on the wrong paper or specialty media.	The operator panel menu settings do not match the media loaded in the tray.	Make sure the Paper Size and Paper Type specified in the printer driver match the paper size and type in the tray and what is set on the printers operator panel.
Incorrect characters print.	You are using an incompatible parallel cable.	If you are using a parallel interface, make sure you are using an IEEE 1284-compliant parallel cable. We recommend Lexmark part number 1329605 (10 ft) or 1427498 (20 ft) for the standard parallel port.
	The printer is in Hex Trace mode.	If Ready. Hex Trace appears on the display, you must exit Hex Trace mode before you can print your job. Turn the printer off and back on to exit Hex Trace mode.
Tray linking does not work.	Tray linking is not configured properly.	<ul style="list-style-type: none"> • Make sure both the size and type of media are the same in both trays. • Make sure the paper guides in the trays are set for the correct size media. • Make sure the menu values for both size and type are set correctly in the Paper Menu. • For more informations, see Linking trays or see the <i>Menus and Messages Guide</i>. •
Large jobs do not collate.	Collate is not set to On.	Set Collation to On in the Finishing Menu or through the printer driver. Note: Setting Collation to Off in the driver overrides the setting in the Finishing Menu . For more informations, see the <i>Menus and Messages Guide</i> .
	The job is too complex.	Reduce the complexity of the print job by eliminating the number and size of fonts, the number and complexity of images, and the number of pages in the job.
	The printer does not have enough memory.	Add printer memory or an optional hard disk.
Unexpected page breaks occur.	The job has timed out.	Set Print Timeout to a higher value from the Setup Menu . For more informations, see the <i>Menus and Messages Guide</i> .

Solving mailbox problems

Symptom	Cause	Solution
Paper jams before reaching the mailbox.	The mailbox and the printer are misaligned.	Realign the mailbox and the printer. For more informations, see Clearing mailbox, finisher, or output expander jams (Area M) .
	The mailbox is not connected properly.	Check the electrical connection.

Solving option problems

If an option does not operate correctly after it is installed or if it quits working:

- Turn the printer off, wait for about 10 seconds, and turn the printer on. If this does not fix the problem, unplug the printer, and check the connection between the option and printer.
- Print the menu settings page and check to see if the option is listed in the Installed Options list. If the option is not listed, reinstall it. For more informations, see **Printing a menu settings page**.
- Make sure the option is selected in the software application you are using.

The following table lists printer options and suggested corrective actions for related problems. If the suggested corrective action does not fix the problem, call your service representative.



Option	Action
Drawers	<ul style="list-style-type: none"> • Make sure the connection between drawers and the printer is secure. • Make sure the print media is loaded correctly.
Duplex unit	Make sure the connection between the duplex unit and the printer is secure. If the duplex unit is listed on the menu settings page, but print media jams when it enters or exits the duplex unit, the printer and duplex unit may not be properly aligned.
Flash memory	Make sure flash memory is securely connected to the printer system board.
Hard disk with adapter	Make sure the hard disk is securely connected to the printer system board.
Internal print server	<ul style="list-style-type: none"> • Make sure the internal print server (also called an internal network adapter or INA) is securely connected to the printer system board. • Make sure you are using the correct cable, that it is securely connected, and the network software is correctly set up. <p>For more details, see the <i>Software and Documentation</i> CD that shipped with your printer.</p>
High capacity feeder	See Solving high capacity feeder problems .
Printer memory	Make sure printer memory is securely connected to the printer system board.
Serial/Parallel interface	<ul style="list-style-type: none"> • Make sure the Serial/parallel interface card is securely connected to the printer system board. • Make sure you are using the correct cable and that it is securely connected.

Troubleshooting

Solving high capacity feeder problems









Problem	Solution
The paper tray does not raise when the loading door is closed, or the paper tray does not lower when the door is opened and the paper tray button is pushed.	<p>Check the following:</p> <ul style="list-style-type: none"> • The printer is properly attached to the high capacity feeder. • The printer is powered on. • The power cord is plugged firmly into the back of the high capacity feeder. • The power cord is plugged into an outlet. • The outlet has power.
The paper tray lowers unexpectedly.	Check to see if your printer is out of paper or has a jam.
More than one sheet of paper is fed or a sheet is fed improperly.	Remove the paper in the printer paper path, and check the stack to ensure the paper has been loaded properly. Be sure to remove the top and bottom sheets of each ream of paper that is loaded.
A jam occurs.	
Rubber feed rollers do not turn to advance paper.	<p>Check the following:</p> <ul style="list-style-type: none"> • The power cord is plugged firmly into the back of the high capacity feeder. • The power cord is plugged into an outlet. • The outlet has power.
Consistent misfeeds or jams in the feeder.	<p>Try the following:</p> <ul style="list-style-type: none"> • Flex the paper. • Turn the print media over. <p>Check the following:</p> <ul style="list-style-type: none"> • Feeder is properly installed. • Paper is loaded correctly. • Paper is not damaged. • Paper meets specifications. • Guides are positioned correctly for the paper size selected.
Service messages	<p>A service message indicates printer failure that may require service. Turn the printer off, wait about 10 seconds, and then turn the printer on. If the error recurs, write down the error number, the problem, and a detailed description. Call 1-800-LEXMARK for service.</p>

Solving paper feed problems

Symptom	Cause	Solution
Paper frequently jams.	You are using paper that does not meet the printer specifications.	Use recommended paper and other specialty media. See the <i>Card Stock & Label Guide</i> available on the Lexmark Web site at www.lexmark.com for detailed specifications. For information that can help prevent jams from occurring, see Avoiding jams .
	You have loaded too much paper or too many envelopes.	Make sure the stack of paper you load does not exceed the maximum stack height indicated at the front of the tray or on the multipurpose feeder. See Loading the trays or Loading the multipurpose feeder for more information.
	Guides in the selected tray are not set to the appropriate position for the size paper loaded.	Move the guides in the tray to the correct position. For detailed instructions, see Loading the trays .
	The paper has absorbed moisture due to high humidity.	Load paper from a fresh package. Store paper in its original wrapper until you load it. See Storing paper for more information.
The Paper Jam message remains after you remove the jammed paper.	You have not pressed  or have not cleared the entire paper path.	Clear paper from the entire paper path, and then press  . For more information, see Clearing the entire paper path .
The page that jammed does not reprint after you clear the jam.	Jam Recovery in the Setup Menu/ Print Recovery section is set to Off.	Set Jam Recovery to Auto or On. For more information, see the <i>Menus and Messages Guide</i> .
Blank pages feed into the output bin.	An incorrect media type is loaded in the tray being printed from.	Load the correct type media for your print job, or change the Paper Type to match the type of media loaded. For more information, see the <i>Menus and Messages Guide</i> .

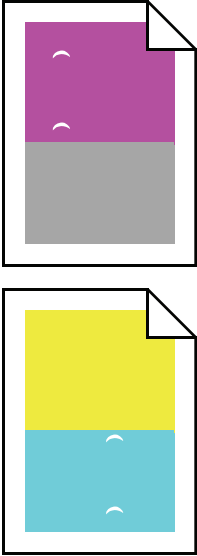
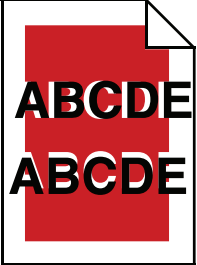
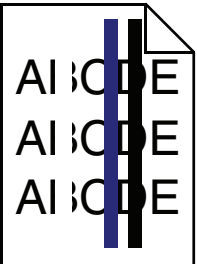
Solving print quality problems

To help isolate print quality problems, print the Print Quality Test Pages.

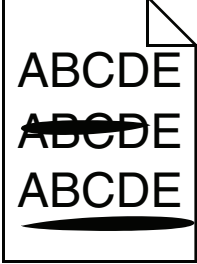
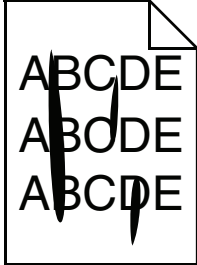
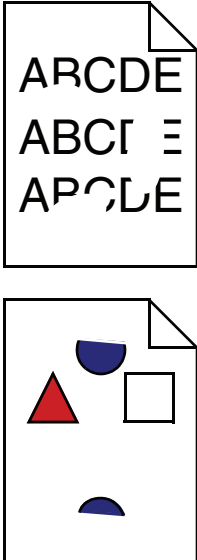
- 1 Turn the printer off.
- 2 Press  and  . Hold them while you turn the printer on, and until the **Performing Self Test** message appears.
Config Menu appears.
- 3 Press  until  **Prt Quality Pgs** appears, and then press  .
The pages are formatted. The **Printing Quality Test Pages** message appears, then the pages print. The message remains on the operator panel until all the pages print.
After the Print Quality Test Pages print, to exit the Config Menu:
- 4 Press  until  **Exit Config Menu** appears, and then press  to complete the procedure.

Troubleshooting

The information in the following table may help you solve print quality problems. If these suggestions still do not correct the problem, call for service. You may have a printer part that requires adjustment or replacement.

Symptom	Cause	Solution
<p>Repeating defects</p> 	<p>Either the print cartridges are defective, the image transfer unit and transfer roller are defective, or the fuser is defective.</p>	<p>Marks occur repeatedly only in one color and multiple times on a page:</p> <ul style="list-style-type: none"> • Replace the cartridge if the defects occur every: <ul style="list-style-type: none"> – 38 mm (1.5 in.) – 48 mm (1.9 in.) – 97 mm (3.8 in.) <p>Marks occur down the page repeatedly in all colors:</p> <ul style="list-style-type: none"> • Replace the transfer roll if the defects occur every 60 mm (2.4 in.) • Check the first transfer bellcranks and springs or replace the image transfer unit if the defects occur every 101 mm (4 in.) • Replace the fuser if the defects occur every 148 mm (5.8 in.) <p>Marks occur on every third or sixth page in any color:</p> <p>Replace the image transfer unit.</p>
<p>Color misregistration</p> 	<p>Color has shifted outside of the appropriate area or has been superimposed over another color area.</p>	<p>Top to Bottom or Left to Right:</p> <ol style="list-style-type: none"> 1 Re-seat the cartridges by removing them from the printer and then reinserting them. 2 Adjust the Color Alignment under the Utilities Menu.
<p>White or colored line</p> 	<p>Either the print cartridges are defective, the image transfer unit and transfer roller are defective, or the fuser is defective.</p>	<ol style="list-style-type: none"> 1 Replace the color print cartridge that is causing the line. 2 If you still have the problem, replace the image transfer unit and transfer roller. 3 If you still have the problem, replace the fuser.

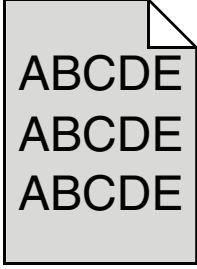
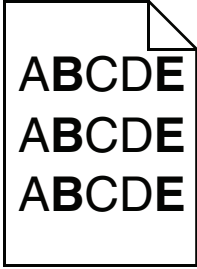
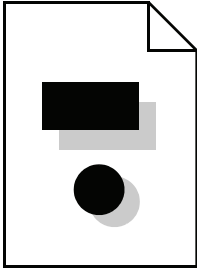
Troubleshooting

Symptom	Cause	Solution
<p>Streaked horizontal lines</p> 	<p>The print cartridges, the transfer roller, image transfer unit, or fuser may be defective, empty, or worn.</p>	<p>Replace the print cartridge, the transfer roller, the image transfer unit, or fuser as needed.</p> <p>From the printer operator panel, print the repetitive defects guide to determine which component needs to be replaced.</p>
<p>Streaked vertical lines</p> 	<ul style="list-style-type: none"> • Toner is smeared before fusing to the paper. • The print cartridge is defective. 	<ul style="list-style-type: none"> • If paper is stiff, try feeding from another tray. • Replace the print cartridge that corresponds to the color displayed on the control panel.
<p>Print irregularities</p> 	<ul style="list-style-type: none"> • Paper has absorbed moisture due to high humidity. • You are using paper that does not meet the printer specifications. • The image transfer unit and transfer roller are worn or defective. • The fuser is worn or defective. 	<ul style="list-style-type: none"> • Load paper from a fresh package in the paper tray. • Avoid textured paper with rough finishes. • Make sure the printer paper type, paper texture, and paper weight settings match the type of paper you are using. • Replace the image transfer unit and transfer roller. • Replace the fuser.

Troubleshooting

Symptom	Cause	Solution
Print too light	<ul style="list-style-type: none"> Paper settings may be incorrect. The Toner Darkness setting is too light. You are using paper that does not meet the printer specifications. The print cartridges are low on toner. The print cartridges are defective or have been installed in more than one printer. 	<ul style="list-style-type: none"> Make sure the printer paper type, paper texture, and paper weight settings match the type of paper you are using. The default Paper Weight setting in the Paper Menu is Normal. For paper less than 20 lb bond (75 g/m²), choose the Light setting. For 28 lb bond to 47 lb bond (105 g/m² to 175 g/m²), choose the Heavy setting. Select a different Toner Darkness setting from the printer driver before sending the job to print. Scroll to the Color Adjust setting in the Quality Menu and press Select to adjust the color. Load paper from a new package. Avoid textured paper with rough finishes. Make sure the paper you load in the trays is not damp. Shake the specified print cartridge to utilize the remaining toner. For more information, see Print cartridges. Replace the print cartridge that corresponds to the color displayed on the control panel.
Print too dark	<ul style="list-style-type: none"> The Toner Darkness setting is too dark. The print cartridges are defective. 	<ul style="list-style-type: none"> Select a different Toner Darkness setting from the printer driver before sending the job to print. Scroll to the Color Adjust setting in the Quality Menu and press Select to adjust the color. Replace the print cartridge that corresponds to the color displayed on the control panel.
Transparency print quality is poor (Print has inappropriate light or dark spots, toner is smeared, horizontal or vertical light bands appear, or color does not project.)	<ul style="list-style-type: none"> You are using transparencies that do not meet the printer specifications. The Paper Type setting for the tray you are using is set to something other than transparency. 	<ul style="list-style-type: none"> Use only transparencies recommended by the printer's manufacturer. Make sure the Paper Type setting is set to Transparency.
Toner specks	<ul style="list-style-type: none"> The print cartridges are defective. The transfer roller is worn or defective. The image transfer unit is worn or defective. The fuser is worn or defective. Toner is in the paper path. 	<ul style="list-style-type: none"> Replace the print cartridge that corresponds to the color displayed on the control panel. Replace the transfer roller. Replace the image transfer unit. Replace the fuser. Call for service.
Toner rubs off the paper easily when you handle the sheets.	<ul style="list-style-type: none"> The Type setting is wrong for the type of paper or specialty media you are using. The Texture setting is wrong for the type of paper or specialty media you are using. The Weight setting is wrong for the type of paper or specialty media you are using. The fuser is worn or defective. 	<ul style="list-style-type: none"> Change Paper Type to match the paper or specialty media you are using. Change Paper Texture from Normal to Smooth or Rough. Change Paper Weight from Plain to CardStock (or other appropriate weight). Replace the fuser.

Troubleshooting

Symptom	Cause	Solution
<p>Gray background</p> 	<ul style="list-style-type: none"> The Toner Darkness setting is too dark. The print cartridges are defective. 	<ul style="list-style-type: none"> Select a different Toner Darkness setting from the printer driver before sending the job to print. Replace the print cartridge that corresponds to the color displayed on the control panel.
<p>Uneven print density</p> 	<ul style="list-style-type: none"> The print cartridges are defective. The transfer roller is worn or defective. The image transfer unit is worn or defective. 	<ul style="list-style-type: none"> Replace the print cartridge that corresponds to the color displayed on the control panel. Replace the transfer roller. Replace the image transfer unit.
<p>Ghost Images</p> 	<p>Toner level is low in the print cartridges.</p>	<p>Replace the print cartridge that corresponds to the color displayed on the control panel.</p>
<p>Clipped images (Some of the print is cut off on the sides, top, or bottom of the paper.)</p>	<p>Guides in the selected tray are set for a different size paper than what is loaded in the tray.</p>	<p>Move the guides in the tray to the proper positions for the size loaded.</p>
<p>Incorrect margins</p>	<ul style="list-style-type: none"> Guides in the selected tray are set for a different size paper than what is loaded in the tray. Auto size sensing is set to off, but you loaded a different size paper in a tray. For example, you inserted A4 size paper into the selected tray but did not set the Paper Size to A4. 	<ul style="list-style-type: none"> Move the guides in the tray to the proper positions for the size loaded. Set the Paper Size to match the media in the tray.
<p>Skewed print (Print is inappropriately slanted.)</p>	<ul style="list-style-type: none"> Guides in the selected tray are not in the correct position for the paper size loaded in the tray. You are using paper that does not meet the printer specifications. 	<ul style="list-style-type: none"> Move the guides in the tray to the proper positions for the size loaded. See the <i>Card Stock & Label Guide</i> available on the Lexmark Web site at www.lexmark.com for detailed specifications. For more information, see Media specifications.
<p>Blank pages</p>	<p>The print cartridges are defective or empty.</p>	<p>Replace the print cartridge that corresponds to the color displayed on the control panel.</p>

Troubleshooting

Symptom	Cause	Solution
Solid color pages	<ul style="list-style-type: none">• The print cartridges are defective.• Your printer requires servicing.	<ul style="list-style-type: none">• Replace the print cartridge that corresponds to the color displayed on the control panel.• Call for service.
The paper curls badly once it prints and exits to a bin.	<ul style="list-style-type: none">• The Type, Texture, and Weight settings are not appropriate for the type of paper or specialty media you are using.• The paper has been stored in a high humidity environment.	<ul style="list-style-type: none">• Change Paper Type, Paper Texture, and Paper Weight to match the paper or specialty media loaded in the printer.• Load paper from a fresh package.• Store paper in its original wrapper until you use it.• For more information, see Storing paper.

Solving color quality problems

This section helps answer some basic color-related questions and describes how some of the features provided in the Quality Menu can be used to solve typical color problems.

Note: See the quick reference page entitled “Print quality and troubleshooting guide” which provides solutions for common print quality problems, some of which may affect the color quality of the printed output.

Frequently asked questions (FAQ) about color printing

What is RGB color?

Red, green, and blue light can be added together in various amounts to produce a large range of colors observed in nature. For example, red and green light can be combined to create yellow light. Televisions and computer monitors create colors in this manner. RGB color is a method of describing colors by indicating the amount of red, green, and blue light needed to reproduce a particular color.

What is CMYK color?

Cyan, magenta, yellow, and black inks or toners can be printed in various amounts to produce a large range of colors observed in nature. For example, cyan and yellow can be combined to create green. Printing presses, inkjet printers, and color laser printers create colors in this manner. CMYK color is a method of describing colors by indicating the amount of cyan, magenta, yellow, and black needed to reproduce a particular color.

How is color specified in a document to be printed?

Software applications typically specify document color using RGB or CMYK color combinations. Additionally, they commonly let users modify the color of each object in a document. Since the procedures to modify colors vary depending on the application, see the software application Help section for instruction.

How does the printer know what color to print?

When a user prints a document, information describing the type and color of each object in the document is sent to the printer. The color information is passed through color conversion tables that translate the color into appropriate amounts of cyan, magenta, yellow, and black toner needed to produce the desired color. The object type information lets different color conversion tables be used for different types of objects. For example, it is possible to apply one type of color conversion table to text while applying a different color conversion table to photographic images.

Should I use the PostScript or PCL emulation driver for the best color? What driver settings should I use for the best color?

The PostScript driver is strongly recommended for best color quality. The default settings in the PostScript driver provide preferred color quality for the majority of printouts.

Why doesn't the printed color match the color I see on the computer screen?

The color conversion tables used in **Auto Color Correction** mode generally approximate the colors of a standard computer monitor. However, because of technology differences that exist between printers and monitors, there are many colors that can be generated on a computer screen that cannot be physically reproduced on a color laser printer. Color match can also be affected by monitor variations and lighting conditions. See the response to the question **How can I match a particular color (such as a color in a corporate logo)?** on page 100 for recommendations on how the printer Color Samples pages may be useful in solving certain color-matching problems.

The printed page appears tinted. Can I slightly adjust the color?

Sometimes a user may consider printed pages to appear tinted (for example, everything printed seems to be too red). This can be caused by environmental conditions, paper type, lighting conditions, or user preference. In these instances, **Color Balance** may be used to create more preferable color. Color Balance provides the user with the ability to make subtle adjustments to the amount of toner being used in each color plane. Selecting positive (or negative) values for cyan, magenta, yellow, and black under the Color Balance menu will slightly increase (or decrease) the amount of toner used for the chosen color. For example, if a user believes the overall printed page to be too red, then decreases to both magenta and yellow could potentially improve color preference.

Is it possible to increase the gloss in the printed output?

Obtain additional gloss by printing using the 1200 dpi Print Resolution Setting.

My color transparencies seem dark when projected. Is there anything I can do to improve the color?

This problem most commonly occurs when projecting transparencies with reflective overhead projectors. To obtain the highest projected color quality, transmissive overhead projectors are recommended. If a reflective projector must be used, then adjusting **Toner Darkness** settings to 1, 2, or 3 will lighten the transparency. Be sure to print on the recommended type of color transparencies. For more information, see "Understanding paper and specialty media guidelines" in the *User's Guide* on the *Software and Documentation CD*.

Color Saver must be **Off** to adjust **Toner Darkness**.

What is Manual Color Correction?

The color conversion tables applied to each object on the printed page when using the default **Auto Color Correction** setting generate preferred color for the majority of documents. Occasionally, a user may want to apply a different color table mapping. This customization is accomplished using the Manual Color menu and the Manual Color Correction setting.

Manual Color Correction applies the RGB and CMYK color conversion table mappings as defined in the Manual Color menu. Users may select any of five different color conversion tables available for RGB objects (sRGB Display, Display—True Black, sRGB Vivid, Off, and Vivid) and any of four different color conversion tables available for CMYK objects (US CMYK, Euro CMYK, Vivid CMYK, and Off).

Note: The Manual Color Correction setting is not useful if the software application does not specify colors with RGB or CMYK combinations, or in certain situations where the software application or the computer operating system adjusts the colors specified in the application through color management.

How can I match a particular color (such as a color in a corporate logo)?

Occasionally, users have a need for the printed color of a particular object to closely match a specific color. A typical example of this is when a user is trying to match the color of a corporate logo. While instances can occur in which the printer cannot exactly reproduce the desired color, users should be able to identify adequate color matches for the majority of cases. The **Color Samples** menu item can provide useful information in helping to solve this particular type of color-matching problem.

The nine Color Samples values correspond to color conversion tables in the printer. Selecting any of the Color Samples values generates a multiple-page printout consisting of hundreds of colored boxes. Either a CMYK or RGB combination is located on each box, depending on the table selected. The observed color of each box is obtained by passing the CMYK or RGB combination labeled on the box through the selected color conversion table.

The user can examine the color samples pages and identify the box whose color is the closest to the desired color. If the user finds a box whose color is close to the desired color match, but the user would like to scan the colors in that area in more detail, then the user can access the Detailed Color Samples by using the printer Embedded Web Server interface, which is only available on network models.

The color combination labeled on the box can then be used for modifying the color of the object in a software application. The software application Help section provides instructions for modifying the color of an object. Manual **Color Correction** may be necessary to utilize the selected color conversion table for the particular object.

Which Color Samples pages to use for a particular color-matching problem depends on the Color Correction setting being used (Auto, Off, or Manual), the type of object being printed (text, graphics, or images), and how the color of the object is specified in the software application (RGB or CMYK combinations). When the printer **Color Correction** setting is set to **Off**, the color is based on the print job information; no color conversion is implemented. The following table identifies which Color Samples pages to use.

Color specification of object being printed	Classification of object being printed	Printer Color Correction setting	Color Samples pages to print and use for color matching
RGB	Text	Auto	sRGB Vivid
		Manual	Manual Color RGB Text Setting
	Graphic	Auto	sRGB Vivid
		Manual	Manual Color RGB Graphics Setting
	Image	Auto	sRGB Display
		Manual	Manual Color RGB Image Setting
CMYK	Text	Auto	US CMYK or EURO CMYK
		Manual	Manual Color CMYK Text Setting
	Graphic	Auto	US CMYK
		Manual	Manual Color CMYK Graphics Setting
	Image	Auto	US CMYK
		Manual	Manual Color CMYK Image Setting

Note: The Color Samples pages are not useful if the software application does not specify colors with RGB or CMYK combinations. Additionally, certain situations exist where the software application or the computer operating system adjusts the RGB or CMYK combinations specified in the application through color management. The resulting printed color may not be an exact match of the Color Samples pages.

What are Detailed Color Samples and how do I access them?

This information applies to network models only.

Detailed Color Samples are pages similar to the default pages of color samples accessible from the Quality Menu on the printer operator panel or from the Configuration Menu in the printer Embedded Web Server. The default color samples accessed by these methods have an increment value of 10 percent for Red (R), Green (G), and Blue (B) values.

Collectively, these values are known as RGB color. If the user finds a value on the pages that is close, but would like to scan more colors in a nearby area, the user can use the Detailed Color Samples to input the desired color value and a more specific or lower increment value. This lets the user print multiple pages of colored boxes that surround a specific color of interest.

To access the pages of Detailed Color Samples, use the printer Embedded Web Server interface. Select the Color Samples option within the Configuration Menu. Nine color conversion table options and three buttons called Print, Detailed, and Reset are shown on the options screen.

If the user selects a color conversion table and presses the **Print** button, the printer prints the default color samples pages. If the user selects a color conversion table and presses the **Detailed** button, a new interface becomes available. The interface lets the user enter individual R, G, and B values of the specific color of interest. The user can also enter an increment value that defines the difference between the RGB value that each color box differs by. If the user selects **Print**, a printout generates which consists of the user-specified color and the colors that exist near this color based on the increment value.

This process can be duplicated for Cyan (C), Magenta (M), Yellow (Y), and Black (K) color conversion tables, too. Collectively, these values are known as CMYK color. The default increment is 10 percent for Black and 20 percent for Cyan, Magenta, and Yellow. The increment value defined by the user for Detailed Color Samples applies to Cyan, Magenta, Yellow, and Black.



Notices

Cautions and warnings

Note: A *note* identifies something that could help you.



CAUTION: A *caution* identifies something that could cause you harm.

Warning: A *warning* identifies something that could damage your product hardware or software.

Electronic emission notices

With a network cable or high-capacity output finisher installed

Federal Communications Commission (FCC) compliance information statement

The Lexmark C780, C780n, C782, C782n, types 5061-200, 5061-210, 5061-400, and 5061-410, have been tested and found to comply with the limits for a Class A digital device, pursuant to Part 15 of the FCC Rules. Operation is subject to the following two conditions: (1) this device may not cause harmful interference, and (2) this device must accept any interference received, including interference that may cause undesired operation.

The FCC Class A limits are designed to provide reasonable protection against harmful interference when the equipment is operated in a commercial environment. This equipment generates, uses, and can radiate radio frequency energy and, if not installed and used in accordance with the instruction manual, may cause harmful interference to radio communications. Operation of this equipment in a residential area is likely to cause harmful interference, in which case the user will be required to correct the interference at his own expense. The manufacturer is not responsible for any radio or television interference caused by using other than recommended cables or by unauthorized changes or modifications to this equipment. Unauthorized changes or modifications could void the user's authority to operate this equipment.

To assure compliance with FCC regulations on electromagnetic interference for a Class A computing device, use a properly shielded and grounded cable such as Lexmark part number 1021231 for parallel attach or 1021294 for USB attach. Use of a substitute cable not properly shielded and grounded may result in a violation of FCC regulations.

Industry Canada compliance statement

This Class A digital apparatus meets all requirements of the Canadian Interference-Causing Equipment Standard ICES-003.

Avis de conformité aux normes de l'industrie du Canada

Cet appareil numérique de classe A est conforme aux exigences de la norme canadienne relative aux équipements pouvant causer des interférences NMB-003.

European Community (EC) directives conformity

This product is in conformity with the protection requirements of EC Council directives 89/336/EEC and 73/23/EEC on the approximation and harmonization of the laws of the Member States relating to electromagnetic compatibility and safety of electrical equipment designed for use within certain voltage limits.

A declaration of conformity with the requirements of the directives has been signed by the Director of Manufacturing and Technical Support, Lexmark International, S.A., Boigny, France.

This product satisfies the Class A limits of EN 55022 and safety requirements of EN 60950.

Radio interference notice

本产品有网络型号和非网络型号两种。对网络型号产品，当其有网络缆线连接，实施网络功能时，将成为电磁兼容A级产品。此时须注意以下警语：

声 明

此为 A 级产品，在生活环境中，该产品可能会造成无线电干扰。在这种情况下，可能需要用户对其干扰采取切实可行的措施。

Warning: When a network cable is attached, this is a Class A product. In a domestic environment, this product may cause radio interference, in which case, the user may be required to take adequate measures.

Taiwan BSMI notice

警告使用者：

這是甲類的資訊產品，在居住的環境中使用時，可能會造成無線電干擾，在這種情況下，使用者會被要求採取某些適當的對策。

Japanese VCCI notice

製品にこのラベルが表示されている場合、次の要件を満たしています。

この装置は、クラス A 情報技術装置です。この装置を家庭環境で使用すると電波妨害を引き起こすことがあります。この場合には使用者が適切な対策を講ずるよう要求されることがあります。 VCCI-A

この装置は、情報処理装置等電波障害自主規制協議会(VCCI)の基準に基づくクラスA情報技術装置です。この装置を家庭環境で使用すると電波妨害を引き起こすことがあります。この場合には使用者が適切な対策を講ずるよう要求されることがあります。

Korean MIC statement

제품에 이 기호가 있는 경우 다음 문구가 적용됩니다.



A급 기기 (업무용 정보통신기기)

이 기기는 업무용으로 전자파적합등록을 한 기기이오니 판매자 또는 사용자는 이 점을 주의 하시기 바라며, 만약 잘못 판매 또는 구입하였을 때에는 가정용으로 교환하시기 바랍니다.

Without a network cable or high-capacity output finisher installed

Federal Communications Commission (FCC) compliance information statement

The Lexmark C780, C780n, C782, and C782n, types 5061-200, 5061-210, 5061-400, and 5061-410, has been tested and found to comply with the limits for a Class B digital device, pursuant to Part 15 of the FCC Rules. Operation is subject to the following two conditions: (1) this device may not cause harmful interference, and (2) this device must accept any interference received, including interference that may cause undesired operation.

The FCC Class B limits are designed to provide reasonable protection against harmful interference in a residential installation. This equipment generates, uses and can radiate radio frequency energy and, if not installed and used in accordance with the instructions, may cause harmful interference to radio communications. However, there is no guarantee that interference will not occur in a particular installation. If this equipment does cause harmful interference to radio or television reception, which can be determined by turning the equipment off and on, the user is encouraged to try to correct the interference by one or more of the following measures:

- Reorient or relocate the receiving antenna.
- Increase the separation between the equipment and receiver.
- Connect the equipment into an outlet on a circuit different from that to which the receiver is connected.
- Consult your point of purchase or service representative for additional suggestions.

The manufacturer is not responsible for any radio or television interference caused by using other than recommended cables or by unauthorized changes or modifications to this equipment. Unauthorized changes or modifications could void the user's authority to operate this equipment.

Note:

Any questions regarding this compliance information statement should be directed to:

Director of Lexmark Technology & Services
Lexmark International, Inc.
740 West New Circle Road
Lexington, KY 40550
(859) 232-3000

Industry Canada compliance statement

This Class B digital apparatus meets all requirements of the Canadian Interference-Causing Equipment Standard ICES-003.

Avis de conformité aux normes de l'industrie du Canada

Cet appareil numérique de classe B est conforme aux exigences de la norme canadienne relative aux équipements pouvant causer des interférences NMB-003.

European Community (EC) directives conformity

This product is in conformity with the protection requirements of EC Council directives 89/336/EEC and 73/23/EEC on the approximation and harmonization of the laws of the Member States relating to electromagnetic compatibility and safety of electrical equipment designed for use within certain voltage limits.

A declaration of conformity with the requirements of the directives has been signed by the Director of Manufacturing and Technical Support, Lexmark International, S.A., Boigny, France.

This product satisfies the Class B limits of EN 55022 and safety requirements of EN 60950.

Japanese VCCI notice

製品にこのマークが表示されている場合、
次の要件を満たしています。



この装置は、情報処理装置等電波障害自主規制協議会(VCCI)の基準に基づきクラスB情報技術装置です。この装置は、家庭環境で使用することを目的としていますが、この装置がラジオやテレビジョン受信機に近接して使用されると、受信障害を引き起こすことがあります。取扱説明書に従って正しい取り扱いをしてください。

Korean MIC statement

제 품에 이 기호가 있는 경우 다음 문구가 적용됩니다.



B급 기기 (가정용 정보통신기기)

이 기기는 가정용으로 전자파적합등록을 한 기기로서
주거지역에서는 물론 모든 지역에서 사용할 수 있습니다.

Noise emission levels

Hinweis zum GS-Zeichen

Modell: Lexmark C780, C780n, C782, C782n

Gerätetyp: 5061-200, 5061-210, 5061-400, and 5061-410

Postanschrift

Lexmark Deutschland GmbH

Postfach 1560

63115 Dietzenbach

Adresse

Lexmark Deutschland GmbH

Max-Planck-Straße 12

63128 Dietzenbach

Telefon: 0180 - 564 56 44 (Produktinformationen)

Telefon: 01805 - 00 01 15 (Technischer Kundendienst)

E-Mail: internet@lexmark.de

Die folgenden Messungen wurden gemäß ISO 7779 durchgeführt und gemäß ISO 9296 gemeldet.

Durchschnittlicher Schallpegel (dB(A)) in 1 m Umkreis	
Drucken	52 dBA
Leerlauf	30 dBA

German GS mark notice

Machine type: 5061-200, 5061-210, 5061-400, 5061-410

Mailing address

Lexmark Deutschland GmbH

Postfach 1560

Notices

63115 Dietzenbach

Physical address

Lexmark Deutschland GmbH

Max-Planck-Straße 12

63128 Dietzenbach

Phone: 0180 - 564 56 44 (Produktinformationen)

Telefon: 01805 - 00 01 15 (Technischer Kundendienst)

E-mail: internet@lexmark.de

The following measurements were made in accordance with ISO 7779 and reported in conformance with ISO 9296.

1-meter average sound pressure, dBA	
Printing	52 dBA
Idling	30 dBA

Product energy consumption

The following table documents the power consumption characteristics of the product.

Mode	Description	Power consumption
Printing	The product is generating hard-copy output from electronic inputs.	650 W
Ready	The product is waiting for a print job.	190 W
Power Saver	The product is in energy-saving mode.	25 W
Off	The product is plugged into a wall outlet, but the switch is turned off.	150 mW

Power Saver

As part of the ENERGY STAR program, this product is designed with an energy-saving mode called Power Saver. The Power Saver Mode is equivalent to the EPA Sleep Mode. The Power Saver Mode saves energy by lowering power consumption during extended periods of inactivity. The Power Saver Mode is automatically engaged after this product is not used for a specified period of time, called the Power Saver Timeout.

By using the configuration menus, the Power Saver Timeout can be modified between 1 minute and 240 minutes. Setting the Power Saver Timeout to a low value reduces energy consumption, but may increase the response time of the product. Setting the Power Saver Timeout to a high value maintains a fast response, but uses more energy.

Total energy usage

It is sometimes helpful to calculate the total product energy usage. Since power consumption claims are provided in power units of Watts, the power consumption should be multiplied by the time the product spends in each mode in order to calculate energy usage. The total product energy usage is the sum of each mode's energy usage.

***Waste from Electrical and Electronic Equipment (WEEE)
directive***



The WEEE logo signifies specific recycling programs and procedures for electronic products in countries of the European Union. We encourage the recycling of our products. If you have further questions about recycling options, visit the Lexmark Web site at www.lexmark.com for your local sales office phone number.

China RoHS

Part Name	Hazardous Substances or Elements					
	Lead (Pb)	Mercury (Hg)	Cadmium (Cd)	Hexavalent Chromium (CrVI)	Polybrominated biphenyl (PBB)	Polybrominated diphenylether (PBDE)
Circuit boards	X	O	O	O	O	O
Power supply	X	O	O	O	O	O
Metal shafts	X	O	O	O	O	O
Metal rollers	X	O	O	O	O	O
Motors	X	O	O	O	O	O
O: Indicates that the content of the toxic and hazardous substance in all the homogeneous materials of the part is below the concentration limit requirement as described in SJ/T11363-2006.						
X: Indicates that the content of the toxic and hazardous substance in at least one homogeneous material of the part exceeds the concentration limit requirement as described in SJ/T11363-2006.						
This product is compliant with the European Union Directive 2002/95/EC concerning the restriction of use of certain hazardous substances.						

ENERGY STAR



C780n/C780dn/C780dtn
C782dn/C782dtn

Laser advisory label

A laser notice label may be affixed to this printer.



LUOKAN 1 LASERLAITE

VAROITUS! Laitteen käyttäminen muulla kuin tässä käyttöohjeessa mainitulla tavalla saattaa altistaa käyttäjän turvallisuusluokan 1 ylittävälle näkymättömälle lasersäteilylle.

KLASS 1 LASER APPARAT

WARNING! Om apparaten används på annat sätt än i denna bruksanvisning specificerats, kan användaren utsättas för osynlig laserstrålning, som överskrider gränsen för laserklass 1.

Laser notice

The printer is certified in the U.S. to conform to the requirements of DHHS 21 CFR Subchapter J for Class I (1) laser products, and elsewhere is certified as a Class I laser product conforming to the requirements of IEC 60825-1.

Class I laser products are not considered to be hazardous. The printer contains internally a Class IIIb (3b) laser that is nominally a 5 milliwatt gallium arsenide laser operating in the wavelength region of 770-795 nanometers. The laser system and printer are designed so there is never any human access to laser radiation above a Class I level during normal operation, user maintenance, or prescribed service condition.

Statement of Limited Warranty

C780, C780n, C782, C782n printer

Lexmark International, Inc. Lexington, KY

This limited warranty applies to the United States and Canada. For customers outside the U.S., refer to the country-specific warranty information that came with your product.

This limited warranty applies to this product only if it was originally purchased for your use, and not for resale, from Lexmark or a Lexmark Remarketer, referred to in this statement as "Remarketer."

Limited warranty

Lexmark warrants that this product:

Is manufactured from new parts, or new and serviceable used parts, which perform like new parts

Is, during normal use, free from defects in material and workmanship

If this product does not function as warranted during the warranty period, contact a Remarketer or Lexmark for repair or replacement (at Lexmark's option).

If this product is a feature or option, this statement applies only when that feature or option is used with the product for which it was intended. To obtain warranty service, you may be required to present the feature or option with the product.

If you transfer this product to another user, warranty service under the terms of this statement is available to that user for the remainder of the warranty period. You should transfer proof of original purchase and this statement to that user.

Limited warranty service

The warranty period starts on the date of original purchase as shown on the purchase receipt and ends 12 months later provided that the warranty period for any supplies and for any maintenance items included with the printer shall end earlier if it, or its original contents, are substantially used up, depleted, or consumed. Fuser Units, Image Transfer Units, Waste Toner Bottles, and Paper Feed items, and any other items for which a Maintenance Kit is available are substantially consumed when the printer displays a "Life Warning" or "Scheduled Maintenance" message for such item.

To obtain warranty service you may be required to present proof of original purchase. You may be required to deliver your product to the Remarketer or Lexmark, or ship it prepaid and suitably packaged to a Lexmark designated location. You are responsible for loss of, or damage to, a product in transit to the Remarketer or the Lexmark designated location.

When warranty service involves the exchange of a product or part, the item replaced becomes the property of the Remarketer or Lexmark. The replacement may be a new or repaired item.

The replacement item assumes the remaining warranty period of the original product.

Replacement is not available to you if the product you present for exchange is defaced, altered, in need of a repair not included in warranty service, damaged beyond repair, or if the product is not free of all legal obligations, restrictions, liens, and encumbrances.

Before you present this product for warranty service, remove all print cartridges, programs, data, and removable storage media (unless directed otherwise by Lexmark).

For further explanation of your warranty alternatives and the nearest Lexmark authorized servicer in your area contact Lexmark on the World Wide Web at <http://support.lexmark.com>.

Remote technical support is provided for this product throughout its warranty period. For products no longer covered by a Lexmark warranty, technical support may not be available or only be available for a fee.

Extent of limited warranty

Lexmark does not warrant uninterrupted or error-free operation of any product or the durability or longevity of prints produced by any product.

Warranty service does not include repair of failures caused by:

Modification or unauthorized attachments

Accidents, misuse, abuse or use inconsistent with Lexmark user's guides, manuals, instructions or guidance

Unsuitable physical or operating environment

Maintenance by anyone other than Lexmark or a Lexmark authorized servicer

Operation of a product beyond the limit of its duty cycle

Use of printing media outside of Lexmark specifications

Refurbishment, repair, refilling or remanufacture by a third party of products, supplies or parts

Notices

Products, supplies, parts, materials (such as toners and inks), software, or interfaces not furnished by Lexmark

TO THE EXTENT PERMITTED BY APPLICABLE LAW, NEITHER LEXMARK NOR ITS THIRD PARTY SUPPLIERS OR REMARKETERS MAKE ANY OTHER WARRANTY OR CONDITION OF ANY KIND, WHETHER EXPRESS OR IMPLIED, WITH RESPECT TO THIS PRODUCT, AND SPECIFICALLY DISCLAIM THE IMPLIED WARRANTIES OR CONDITIONS OF MERCHANTABILITY, FITNESS FOR A PARTICULAR PURPOSE, AND SATISFACTORY QUALITY. ANY WARRANTIES THAT MAY NOT BE DISCLAIMED UNDER APPLICABLE LAW ARE LIMITED IN DURATION TO THE WARRANTY PERIOD. NO WARRANTIES, EXPRESS OR IMPLIED, WILL APPLY AFTER THIS PERIOD. ALL INFORMATION, SPECIFICATIONS, PRICES, AND SERVICES ARE SUBJECT TO CHANGE AT ANY TIME WITHOUT NOTICE.

Limitation of liability

Your sole remedy under this limited warranty is set forth in this document. For any claim concerning performance or nonperformance of Lexmark or a Remarketer for this product under this limited warranty, you may recover actual damages up to the limit set forth in the following paragraph.

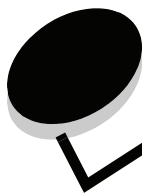
Lexmark's liability for actual damages from any cause whatsoever will be limited to the amount you paid for the product that caused the damages. This limitation of liability will not apply to claims by you for bodily injury or damage to real property or tangible personal property for which Lexmark is legally liable. **IN NO EVENT WILL LEXMARK BE LIABLE FOR ANY LOST PROFITS, LOST SAVINGS, INCIDENTAL DAMAGE, OR OTHER ECONOMIC OR CONSEQUENTIAL DAMAGES.** This is true even if you advise Lexmark or a Remarketer of the possibility of such damages. Lexmark is not liable for any claim by you based on a third party claim.

This limitation of remedies also applies to claims against any Suppliers and Remarketers of Lexmark. Lexmark's and its Suppliers' and Remarketers' limitations of remedies are not cumulative. Such Suppliers and Remarketers are intended beneficiaries of this limitation.

Additional rights

Some states do not allow limitations on how long an implied warranty lasts, or do not allow the exclusion or limitation of incidental or consequential damages, so the limitations or exclusions contained above may not apply to you.

This limited warranty gives you specific legal rights. You may also have other rights that vary from state to state.



Index

Numerics

5-bin mailbox 13

A

access doors 65

adjusting

 Power Saver 80

aligning the image transfer unit 85

areas

 Area A 67

 Area B 67

 Area C 68

 Area E 69

 Area G 68

 Area J 70

 Area K 70

 Area L 70

 Area M 71

 Area T<x> 69

 Area T1 69

attaching

 option cards 20

 print server 20

auto size sensing 40

 disabling 86

 special sizes 86

automatic tray linking 40

avoiding paper jams 47

B

Back button 27

bins

 linking 41

button

 back 27

 menu 27

 stop 27

C

card stock guidelines 53

characteristics, media 48

 letterhead 50

confidential jobs

 entering user name 42

 sending 42

D

disabling operator panel menus 78

disabling size sensing 86

display panel 28

E

Embedded Web Server 81

enabling operator panel menus 79

envelope sizes

 7 3/4 (Monarch) 55

F

firmware card

 installing 17

flash memory 22

 removing 22

G

guidelines

 media 48

 printing letterhead 51

H

hard disk 23

Held jobs 41

held jobs

 entering user name 42

 overview 42

 types of 42

I

image transfer unit

 aligning 85

 ordering 63

installing

 Coax/Twinax Adapter 20

 firmware card 17

 hard disk with adapter card 20

 installing

 MarkNet print server 20

 internal print server 20

 option cards 20

 Parallel Interface Card 20

 print servers 20

 USB/Parallel Interface Card 20

internal print server

See print server
Internet Protocol Security 82

L

labels
 guidelines 52
laser notice 108
letterhead 50
 guidelines 50
 page orientation 51
 printing 51
Lexmark Authorized Supplies Dealers 60
linking 40
 bins 41
 trays 40
loading
 2000-sheet tray 35
 500-sheet trays 33
 multipurpose feeder 37
lock feature, security 83

M

Macintosh 31, 40, 42, 44
mailbox 13
maintaining the printer 60
 ordering a print cartridge 61
MarkNet internal print servers
maximum stack height
 multipurpose feeder 38
 trays 1, 2, 3 34, 36
media
 guidelines 48
 letterhead 50
 letterhead, printing 51
 letterhead
 guidelines 50
 loading instructions based on source 51
 sizes supported
 7 3/4 (Monarch) 55
 storing 53
 transparencies, guidelines 51
media specifications
 characteristics 48
 sizes 54
 types 55
 weight 56, 57
memory
 Print and Hold function 41, 42
memory option, removing 22
Menu button 27

N

Noise emission levels 105
numeric pad 28

O

operator panel 32
 disabling menus 78
 enabling menus 79
option cards
 installing 20
 internal print server
 Parallel Interface Card 20
 Serial Interface Card 20
options
 5-bin mailbox 13
 duplex unit 9
 interface cards 20
 internal print servers 20
ordering
 image transfer unit 63
 transfer roller 63
ordering, print cartridge 61
output bins
 linking 41

P

pad, numeric 28
panel, display 28
paper
 letterhead 50
 preprinted forms 50
 recommended types 48
 storing 46
 unacceptable 49
paper jams
 areas 65
 avoiding 47
 clearing 64
 fuser 71
Parallel Interface Card 20
PIN
 entering at the printer 43
 entering from the driver 42
Power Saver, adjusting 80
preprinted forms 50
Print and Hold function
 see held jobs 41
print server
 installing
printer memory option, removing 22
printer system board 21
 accessing 21
 closing 25
problems
 incorrect characters print 90
 job didn't print 89
 job prints 90
 from wrong tray 90
 on wrong paper or specialty media 90
 large jobs do not collate 90

Index

- mailbox 90
 - frequent jams 90
- operator panel 89
 - blank 89
 - displays black diamonds 89
- paper feed
 - blank pages in output bin 93
 - frequent jams 93
 - jammed page does not reprint 93
 - Paper Jam message remains after clearing jam 93
- print time seems long 89
- tray linking does not work 90
- unexpected page breaks 90
- USB Direct interface 29
- USB flash memory device 29

V

- verify print 44

R

- removing
 - firmware card 25
 - flash memory option 22
 - option cards 23
 - printer memory option 22
- repeat print 44
- reserve print 44

S

- safety information 2
- Secure mode 82
- security 81
- sensing, special sizes 86
- Serial Interface Card 20
- Simple Network Management Protocol 81
- size sensing 86
- sizes, media
 - 7 3/4 (Monarch) 55
- stack height, maximum
 - multipurpose feeder 38
 - trays 1, 2, 3 34, 36
- Stop button 27
- storing 46
 - media 53
 - paper 46
 - supplies 46
- supplies
 - print cartridge 61
 - storing 46
- system board
 - accessing 15

T

- transfer roller
 - ordering 63
- tray linking 40

U

- unpacking
 - memory cards 16
 - option cards 20