

CE labs can support many areas of your audio and video distribution needs.

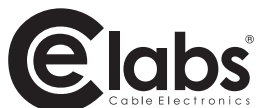
We manufacture:

- Digital Signage software and Media Players
- HD Matrix Switchers
- RF amplifiers
- HDMI and Component HD distribution amplifiers
- CAT 5 Signal Extenders
- VGA Extenders and Splitters
- and cables of all types.

See our full product line at www.celabs.net

WARRANTY

Cable Electronics, Inc. warrants this product to be free from defects in material and workmanship, under normal use and service, for a period of one year from the purchase by the original purchaser. If this product is defective or malfunctions, Cable Electronics will replace or repair this unit (at their option) within a reasonable time. No expressed or implied warranty is made for any defects caused by immersion or exposure to liquids, abuse, neglect, improper operation of unit, excess wear and tear and defects resulting from unauthorized disassembly and or modification.

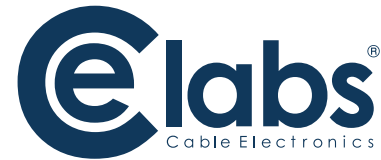


3209 Wood Drive
Garland, TX 75041
Phone: (469) 429-9200
Toll free: (800) 767-6189
Fax: (469) 429-9205
www.celabs.net

Document: HS103_manual.pdf

930-3021-01

INSTRUCTION MANUAL

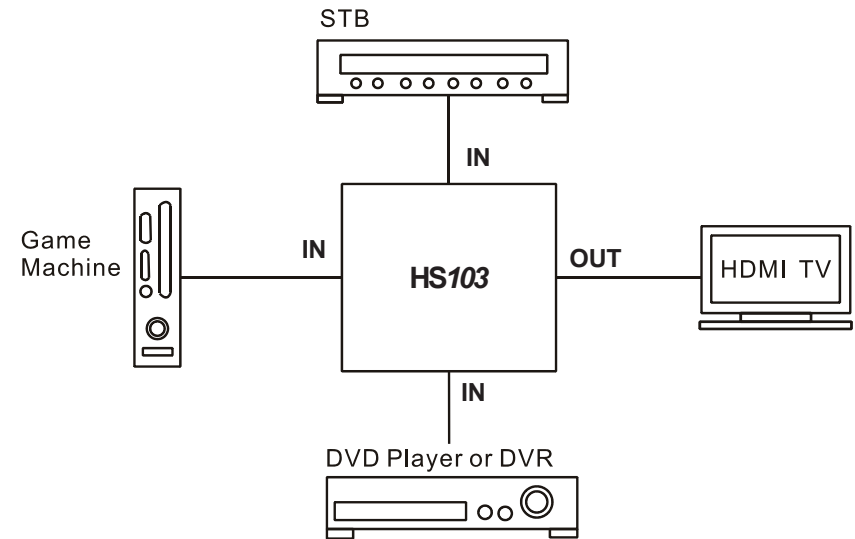


HS103 HDMI Switch



- Compact size.
- Auto switching.
- No power supply.
- Distribute any of the three input signal to the output port.
- Manual selection button offered.
- Signaling rates up to 2.25Gbits in support of 1080P display.
- Super receiver equalization to compensate up to 20m HDMI cable losses.
- 3dB driver pre-emphasis to compensate for PCB losses.
- Each port supports

TYPICAL APPLICATION



MAINTENANCE

Clean this unit with a soft, dry cloth. Never use alcohol, paint thinner or benzene to clean this unit.

CONNECTION AND OPERATION

1. Connect the HDMI sources (such as, HD-DVD, PS3, STB, etc.) into the HS103 units.
2. Connect the HDMI display (such as, HD-LCD, HD-LDP) to the HS103 output.
3. Power on the input source you want to show. Turn off unused sources as this will speed up the automatic switching.
4. Power on the display.

Remark: Manual selection button can be used when the user want to select the source manually.

Smart Function: When there are more than one source connected to the switch, the user should leave a desired source on, the others off. The switch will choose this source automatically and send the signal to the display. If several sources are all powered on, the last powered source will be chosen. Because of this function, the user could use the method of power off/on to select the desired signal.

SPECIFICATIONS

Operating Temperature Range:	-5 to +35°C (-41 to +95°F)
Operating Humidity Range:	5 to 90% RH (no condensation)
Input Video Signal:	0.5-1.0 volts p-p
Input DDC Signal:	5 volts p-p (TTL)
Video Format Supported:	DTV/HDTV: 1080p/1080i/720p/576p/ 480p/576i/480i
Signaling Rates:	2.2 Gbits x 3
Output Video:	HDMI 1.3
Max. Transmission Distance:	<20m (AWG28 HDMI cable)
Dimensions:	62mmWx62mmHx19mmD 2.4"Wx2.4"Hx0.7"D
Mass (Main unit):	40gs/0.08lb

Note: Specifications are subject to change without notice. Mass and dimensions are approximate.

NOTICE

Grandbeing Inc. reserves the right to make changes in the hardware, Cable Electronics reserves the right to make changes in the hardware, packaging any accompanying documentation without prior written notice. packaging and any accompanying documentation without prior written notice.

WARNING

TO REDUCE THE RISK OF FIRE, ELECTRIC SHOCK OR PRODUCT DAMAGE:

1. Do not expose this apparatus to rain, moisture, dripping or splashing and that no objects filled with liquids, such as vases, shall be placed on the apparatus.
2. Do not install or place this unit in a bookcase, built-in cabinet or in another confined space. Ensure the unit is well ventilated.
3. To prevent risk of electric shock or fire hazard due to overheating, do not obstruct the unit's ventilation openings with newspapers, tablecloths, curtains, and similar items.
4. Do not install near any heat sources such as radiators, heat registers, stoves, or other apparatus (including amplifiers) that produce heat.
5. Do not place on sources of naked flames, such as lighted candles, on the unit.
6. Clean this apparatus only with a dry cloth.
7. Unplug this apparatus during lightning storms or when unused for long periods of time.
8. Only use attachments/accessories specified by the manufacturer.
9. Refer all servicing to qualified service personnel.

TABLE OF CONTENTS

Introduction

Panel Descriptions

Connect and Operation

Specification

Typical Application

Maintenance

Warranty

Contact Information

INTRODUCTION

CE labs HS103 is a three-input--one-output HDMI switch. It allows switching of three HDMI inputs to the output. These three inputs are auto switching (Smart function). You can also use the selection button on the front panel to choose the input you want to select.

The HS103 has equalization and amplification to ensure HDMI signal's transmission through long cable without quality loss.

PANEL DESCRIPTIONS

