

INSTALLATION & USER GUIDE

JobSite[®]
PURE CUSTOM[®]



For Parallel Signal

Distribution to

Multiple Muting

Volume Controls

MUTING VOLUME CONTROL CONNECTION TERMINAL

V-T4M

V-T4M

MUTING VOLUME CONTROL CONNECTION TERMINAL

TABLE OF CONTENTS

Features	1
Product Overview	2
Package Contents	3
Preparing for Installation	3
Installation	5
Programming Muting Volume Controls	6
Specifications	7
Warranty	7

FEATURES

- Distributes audio signals and provides power for four V-12M and/or V12M/AWE Muting Volume Controls.
- Reduces wiring clutter

Installation friendly design:

- Accepts up to 14 gauge wire
- Snap and lock connector secures wire in place without the use of a screwdriver
- Mounts in 6" center structured wiring cabinets with the provided Christmas tree snap-in plugs
- Wings allow for either vertical or horizontal mounting
- UL listed regulated power supply

PRODUCT OVERVIEW

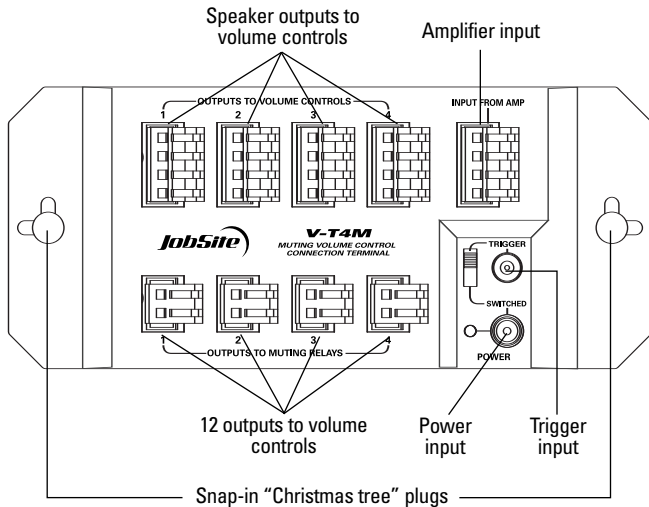


Figure 1

PACKAGE CONTENTS

- V-T4M Connection terminal x 1
- 12V DC power supply x 1
- Snap-in “Christmas Tree” plugs x 2
- Snap and lock removable speaker connectors x 5
- Removable 12 Volt control connectors x 4

PREPARING FOR INSTALLATION

The Speakers/Volume Control cables, Amplifier cables and 12V DC power supply cable must all reach the proposed location of the V-T4M distribution connection terminal. Mark the cables with Wire labels, describing where the cables originate from, rather than where they will terminate. Locate a switched AC outlet on your Receiver or Amplifier to be used to power the V-T4M power supply.

Calculating the Impedance Magnification Setting:

To ensure optimal operation of your amplifier or receiver, your speakers must show it a load that it can handle safely and effectively. This requires the use of impedance-magnifying (IM) volume controls.

CAUTION! Every speaker pair in the system must be connected to an impedance-magnifying volume control and set to the same magnification.

When you install the V-T4M and connect the volume controls to it, double-check the DIP-switches on the volume controls to verify that they are set correctly for the impedance load of your speakers.

Use the following instructions and the accompanying charts to select the correct DIP switch setting on the volume controls for the number and type of speakers in your system.

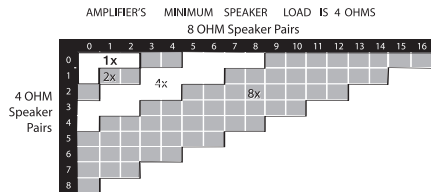


Figure 2

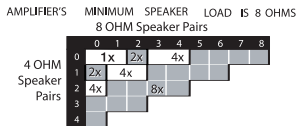


Figure 3

Some speakers have selectable impedance. Before you proceed, please confirm that any selectable-impedance speakers in your system are properly set for the system you are installing.

1. Count the number of pairs of 4 ohm speakers and the number of pairs of 8 ohm speakers you are connecting. Count pairs of 6 ohm speakers as 4 ohm pairs.
2. Determine whether the amplifier should see a 4 ohm load or an 8-ohm load. You should find this information in the owner's manual of the amplifier.
3. Read the correct DIP switch position from the charts on this page. **See Figure 2** if your amplifier can drive a 4 ohm load. **See Figure 3** if your amplifier must have an 8 ohm speaker load.
4. Set the DIP switches on all of the controls to the same position (1x, 2x, 4x, or 8x).

Tools Required

- 1/8" Slotted screwdriver
- Wire stripper
- Wire labels

INSTALLATION

1. Select an appropriate location for the V-T4M.
2. Run all the necessary wiring to the V-T4M. Label the wires for future reference.
3. Strip 1/4" of insulation from the end of each wire. Tightly twist the end of each wire until no frayed ends remain.
4. Locate the Snap and lock connectors and remove them if they are plugged in. **See Figure 4.**
5. The four-position connector plugs are for speaker wires; the two-position connector plugs are for 12V wires.

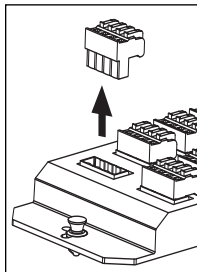
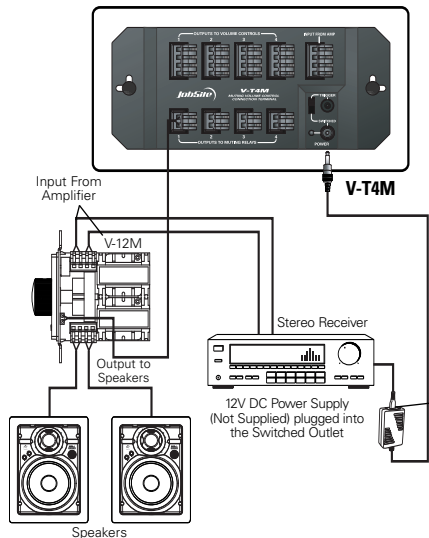


Figure 4

6. Use a small flathead screwdriver or your thumb to raise the locking tabs, exposing the holes on the connectors.
7. Insert each wire into the appropriate hole and snap down the locking tabs.
8. Insert the smooth side of the connector plug into the smooth side of the V-T4M socket.
9. Connect the Amplifier to the connector terminal labeled: INPUT FROM AMP.
10. Connect the Speaker wires to the connector terminals labeled: OUTPUTS TO VOLUME CONTROLS.
11. Connect the 12V wires to the connector terminals labeled: OUTPUTS TO MUTING RELAYS.
12. Plug the 12V DC power supply connector into the V-T4M socket marked POWER.

See installation diagram.

INSTALLATION DIAGRAM



PROGRAMMING MUTING VOLUME CONTROLS

You can program individual JobSite Muting Volume Controls, allowing certain locations (such as the guest bedroom and porch) to remain muted when system turns on, while other locations (such as the kitchen and family room) play music.

Place the volume control in the desired turn-on state (muted or unmuted) by pressing the mute button. Then press and hold the mute button for 10 seconds. The LED blinks to indicate that programming has occurred.

JobSite Muting Volume Controls come from the factory pre-programmed in the automatic mute mode.

SPECIFICATIONS

Mounting:

In a structured wiring Cabinet using Christmas tree snap-in plugs (included)

Wall or flat surface:

use drywall screws

Wiring requirements:

2 individual runs of 2-conductor 14-18-gauge speaker wire or 1 run of 4-conductor

1 individual run of 2-conductor or CAT5

110V to 12V DC power supply at 200ma (included)

Unit dimensions:

6-7/8" wide x 3" high x 1-1/4" deep

Warranty: 2 year limited.

LIMITED WARRANTY

JobSite Systems ("JOBSITE"), a Niles Audio Corporation company, warrants its passive products (those not requiring AC or battery power) to the original purchaser to be free of manufacturing defects in material and workmanship for a period of ten years from date of purchase.

JOBSITE warrants its passive loudspeaker products (those not requiring AC or battery power) to the original purchaser to be free of manufacturing defects in material and workmanship for a period of five years from date of purchase.

JOBSITE warrants its indoor/outdoor loudspeaker products to the original purchaser to be free of manufacturing defects in material and workmanship for a period of two years from date of purchase.

JOBSITE warrants its all weather rock loudspeaker products to the original purchaser to be free of

manufacturing defects in material and workmanship for a period of five years from date of purchase.

JOBSITE warrants its active products (those requiring AC or battery power) to the original purchaser to be free of manufacturing defects in material and workmanship for a period of two years from date of purchase.

This Warranty is subject to the following additional conditions and limitations. The Warranty is void and inapplicable if JOBSITE deems that the product has been used or handled other than in accordance with the instructions provided by the manufacturer, including, but not limited to, damage caused by accident, mishandling, improper installation, abuse, negligence, or normal wear and tear, or any defect caused by repair to the product other than by JOBSITE or an authorized JOBSITE wholesale distributor.

To obtain warranty service, you must write to JOBSITE: Include your name, address, telephone

number, model number and serial number of your unit, and a brief description of the problem.

A factory Return Authorization Number will be sent to you. **DO NOT RETURN ANY UNIT WITHOUT FIRST RECEIVING WRITTEN AUTHORIZATION AND SHIPPING INSTRUCTIONS FROM JOBSITE.**

If the above conditions are met, the purchaser's sole remedy shall be to return the product to JOBSITE, in which case JOBSITE will repair or replace, at its sole option, the defective product without charge for parts or labor. JOBSITE will return the unit repaired or replaced under warranty by shipping it by its usual shipping method from the factory (only) at its expense within the United States of America. **THERE ARE NO OTHER WARRANTIES, INCLUDING, WITHOUT LIMITATION, EITHER EXPRESS OR IMPLIED WARRANTIES OF MERCHANTABILITY OR FITNESS FOR A PARTICULAR PURPOSE, WITH RESPECT TO THE PRODUCT.**

REPAIR OR REPLACEMENT AS PROVIDED UNDER THIS WARRANTY IS THE EXCLUSIVE REMEDY OF THE CONSUMER/PURCHASER. NILES SHALL NOT BE RESPONSIBLE FOR ANY INCIDENTAL OR CONSEQUENTIAL DAMAGES EXCEPT TO THE EXTENT PROVIDED (OR PROHIBITED) BY APPLICABLE LAW.

Some states do not allow the exclusion or limitation of incidental or consequential damages, so the above limitation may not apply to you. This warranty gives you specific legal rights, and you may also have other rights, which vary from state to state.

For the name of the nearest authorized JOBSITE wholesale distributor, contact:

JobSite Systems

12331 S.W. 130 Street, Miami, Florida 33186

WWW.JOBSITESYSTEMS.COM



JOBSITE SYSTEMS

12331 S.W. 130 STREET, MIAMI, FLORIDA 33186

P 866.4JB.SITE (866.452.7483) – F 305.238.0185

WWW.JOBSITESYSTEMS.COM

© 2004 JobSite Systems. All rights reserved. JobSite, Pure Custom and Niles are registered trademarks of Niles Audio Corporation and the JobSite Logo is a trademark of Niles Audio Corporation. All other trademarks are the property of their respective owners. Some JobSite products (or components thereof) are manufactured under one or more U.S. Patents, foreign equivalents and/or pending patents (see product for details). Because we constantly strive to improve our products, JobSite reserves the right to change product specifications, descriptions, and prices without notice. The technical and other specifications of information contained herein are not intended to set forth all technical and other specifications of JobSite products. Additional information can be obtained at WWW.JOBSITESYSTEMS.COM or by calling JobSite at 866.452.7483. Printed in China. 7/04 DS00381BCN