



Sometimes full access  
requires full effort.

Sometimes it doesn't.

# Lexmark

## Product Guide 2006

SECOND EDITION

We make printing easy

**LEXMARK**<sup>™</sup>



# Lexmark Environmental Programme

Some people waste energy.

Some people don't.

# reduce

Energy consumption has highly damaging effects on the environment: firstly because it often draws on non-renewable resources and secondly, because the greenhouse emissions are directly responsible for global warming. It is up to everyone to do something about this, and much can be done. At Lexmark, we have managed to bring down our printers' energy consumption by 70% in the last decade.

On your side, you can do your part by activating the Power Saver Mode on your Lexmark printer. Thus, you win twice, you save energy and you save money.



## LEXMARK AND THE ENVIRONMENT, A WAY OF LIFE

Lexmark takes seriously its responsibility to the environment and the communities in which it operates. For Lexmark, environment protection is a continuing process that involves all of our suppliers, employees, major functions of the company – and ultimately our customers and the way they use and dispose of our products. Caring for the environment through complementary business practices has become a way of life. Protecting the environment is the major objective in Lexmark's manufacturing processes. This is clearly demonstrated by Lexmark's 4R Strategy: Reduce Recover Reuse Recycle and the successful Cartridge Collection Programme where customers can return their empty cartridges free of charge.

## ENVIRONMENTAL PROGRAMMES

### Equipment

Our shared responsibility for the environmentally sound management of our products is also demonstrated by the implementation of the European WEEE Directive (Waste Electrical & Electronic Equipment). Lexmark equipment is marked according to the requirements of this Directive and programmes are set up to ensure that the waste from our electrical and electronic equipment is collected separately from everyday household and usual waste streams for proper recycling.

### Cartridges

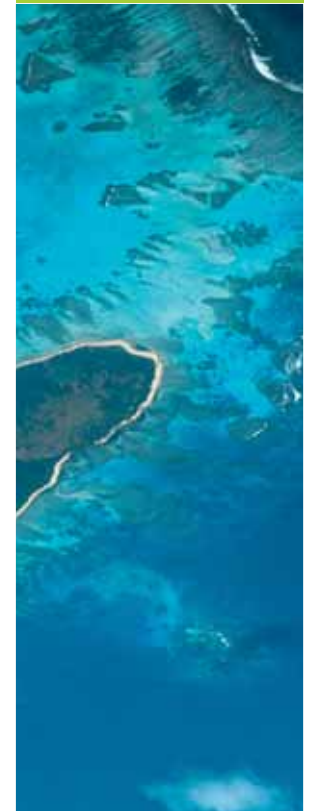
In addition to our WEEE programmes, Lexmark also offers a complete cartridge collection programme. Lexmark offers multiple choices such as individual pick up with prepaid reply labels inserted in the cartridge boxes or bulk programmes for large business users via office and pallet size containers.

Once collected, all Lexmark cartridges are recovered for reuse or recycling according to the most stringent recycling practices: there is no landfill or incineration involved.

## CITIZENSHIP

Our structured approach to environmental protection with regular auditing and long-term commitment has proved to be a credible measurement of Lexmark environmental actions. The company already had ISO 9002 certification, but in order to comply with the demands of its customers and to fulfil its own objectives, Lexmark has also obtained ISO 14001 certification for all its owned factories across the world. Lexmark is now justifiably proud of its record for waste and water management, and is especially pleased with its ability to integrate environmental issues into each operation, making it part of our everyday business. Today, Lexmark extends this approach to its major suppliers who are required to comply with legislation.

As a provider of printing solutions including inkjet, laser, all-in-one printers and related supplies, Lexmark shares in the environmental responsibility for our products. To learn more about our programmes, our collection methods and our recycling policy, connect to [www.lexmark.com/recycle](http://www.lexmark.com/recycle).



# Table of contents

## ENVIRONMENT

Lexmark Environmental Programme	3
Product Overview: Printer Part Numbers	6 - 7
Product Overview: Monochrome Range	8 - 9
Product Overview: Colour Range	10 - 11

## MONOCHROME LASER PRINTERS

Lexmark E120/n	12
Lexmark E240/n	14
Lexmark E340	16
Lexmark E342n/tn	18
Lexmark T640/n/dn/dtn	20
Lexmark T642/n/tn/dtn	22
Lexmark T644/n/tn/dtn	24
Lexmark W840/n/dn	26

## COLOUR LASER PRINTERS

Lexmark C500n	28
Lexmark C522n	30
Lexmark C524n/dn/dtn	32
Lexmark C920/n/dn/dtn	34

## COLOUR INKJET PRINTERS

Lexmark Z640	36
Lexmark Z645	38
Lexmark Z735	40
Lexmark P315	42
Lexmark P450	44
Lexmark P915	46

## ALL-IN-ONE INKJET PRINTERS

Lexmark X1270	48
Lexmark X2470	50
Lexmark X3470	52
Lexmark X7350	54
Lexmark X8350	56
Lexmark F4270	58

## MULTIFUNCTION PRINTERS

Lexmark X340	60
Lexmark X342n	62
Lexmark X642e	64
Lexmark X644e	66
Lexmark X646e	68
Lexmark X646dte	70
Lexmark X646ef	72
Lexmark X850e	74
Lexmark X852e	76
Lexmark X854e	78
Lexmark 4600 MFP Option	80

## DOT MATRIX PRINTERS

Lexmark Forms Printer 2480/81	82
Lexmark Forms Printer 2490/91	84
Lexmark Forms Printer 4227 plus	86

## PRINTERS CONFIGURATION

Lexmark E240/n	88
Lexmark E340	88
Lexmark E342n/tn	88
Lexmark T640/n/dn/dtn	89
Lexmark T642/n/tn/dtn	90
Lexmark T644/n/tn/dtn	90
Lexmark W840/n/dn	91
Lexmark C500n	92
Lexmark C522n	92
Lexmark C524n/dn/dtn	92
Lexmark C920	93
Lexmark X340	93
Lexmark X342n	93
Lexmark X642e	94
Lexmark X644e	95
Lexmark X646e	96
Lexmark X646dte	97
Lexmark X646ef	98
Lexmark X850e	99
Lexmark X852e	99
Lexmark X854e	99

## CONNECTIVITY

<b>Applications Solutions</b>	
Lexmark Forms Card	100
Lexmark Bar Code	102
Lexmark PrintCryption	104
Lexmark IPDS / SCS / TNe	106
<b>Print Servers</b>	
Lexmark Internal and External Print Servers	108 - 111
<b>Software</b>	
Lexmark MarkVision Professional	112

## COMPATIBILITY

Lexmark Compatibility table and options	114 - 125
---	-----------

## SUPPLIES

Lexmark Supplies	127 - 134
------------------	-----------

## SERVICES

Lexmark Authorised Parts Distributors	136
Lexmark Maintenance Kit	138
Lexmark Service Offerings	140 - 147
Contacts	148 - 149

# Product Overview: Printer Part Numbers

PRODUCT	PN
---------	----

## MONOCHROME LASER PRINTERS

Lexmark E120	0023S0110
Lexmark E120n	0023S0337
Lexmark E240	0028S0237
Lexmark E240n	0028S0437
Lexmark E340	0028S0537
Lexmark E342n	0028S0637
Lexmark E342tn	0028S0737
Lexmark T640	0020G0115
Lexmark T640n	0020G0165
Lexmark T640dn	0020G0415
Lexmark T640dtn	0020G0515
Lexmark T642	0020G0215
Lexmark T642n	0020G0265
Lexmark T642tn	0020G0445
Lexmark T642dtn	0020G0545
Lexmark T644	0020G0315
Lexmark T644n	0020G0365
Lexmark T644tn	0020G0475
Lexmark T644dtn	0020G0575
Lexmark W840	0025A0083
Lexmark W840n	0025A0084
Lexmark W840dn	0025A0085

## COLOUR LASER PRINTERS

Lexmark C500n	0022R0034
Lexmark C522n	0022H0062
Lexmark C524n	0022B0062
Lexmark C524dn	0022B0162
Lexmark C524dtn	0022B0212
Lexmark C920	0013N1011
Lexmark C920n	0013N1111
Lexmark C920dn	0013N1211
Lexmark C920dtn	0013N1311

PRODUCT	PN
---------	----

## COLOUR INKJET PRINTERS

Lexmark Z640	0018K6553
Lexmark Z645	0018K6453
Lexmark Z735	0020M0001
Lexmark P315	0020C0044
Lexmark P450	0023C0001
Lexmark P915	0080D2624

## ALL-IN-ONE INKJET PRINTERS

Lexmark X1270	0017M4003
Lexmark X2470	0030A0003
Lexmark X3470	0022P0003
Lexmark X7350	0020W0004
Lexmark X8350	0021M0004
Lexmark F4270	0021C2002

## MULTIFUNCTION PRINTERS

Lexmark X340	0020D0151
Lexmark X342n	0020D0152
Lexmark X642e	0022G0609
Lexmark X644e	0022G0468
Lexmark X646e	0022G0467
Lexmark X646dte	0022G0469
Lexmark X646ef	0021J0153
Lexmark X850e	0015R0072
Lexmark X852e	0015R0124
Lexmark X854e	0015R0217

## SCANNERS

Lexmark 4500 MFP Option	0021J0114
-------------------------	-----------

## DOT MATRIX PRINTERS

Lexmark 2480	0012T0504
Lexmark 2481	0012T0534
Lexmark 2490	0012T0564
Lexmark 2491	0012T0604
Lexmark 4227 plus	0013L0184

# Product Overview: Monochrome Range



## LASER PRINTERS

PERSONAL PRINTING, NETWORK DESKTOP PRINTING AND DESKTOP SMALL WORKGROUP



**Lexmark E120/n**

19 ppm

- 1200 IQ
- Personal Printing / Network Desktop Printing



**Lexmark E240/n**

26 ppm

- 2400 IQ
- Desktop Small Workgroup



**Lexmark E340**

28 ppm

- 1200 x 1200 dpi
- Personal Printing



*E342n*

**Lexmark E342n/tn**

28 ppm

- 1200 x 1200 dpi
- Desktop Small Workgroup

## MULTIFUNCTION

PERSONAL PRINTING AND SMALL WORKGROUP      MEDIUM TO LARGE WORKGROUP



**Lexmark X340**

25 ppm

- 600 x 600 dpi
- Personal Printing



**Lexmark X342n**

25 ppm

- 600 x 600 dpi
- Small Workgroup



**Lexmark X642e**

43 ppm

- 1200 x 1200 dpi
- Medium to Large Workgroup



**Lexmark X644e**

48 ppm

- 1200 x 1200 dpi
- Medium to Large Workgroup

SMALL AND MEDIUM WORKGROUP      LARGE WORKGROUP



**Lexmark T640/n/dn/dtn**

33 ppm

- 1200 x 1200 dpi
- 2400 Image Quality
- Small and Medium Workgroup



**Lexmark T642/n/tn/dtn**

43 ppm

- 1200 x 1200 dpi
- 2400 Image Quality
- Medium Workgroup



*Model T644dtn*

**Lexmark T644/n/tn/dtn**

48 ppm

- 1200 x 1200 dpi
- 2400 Image Quality
- Large Workgroup



**A3**

*Fully configured*

**Lexmark W840/n/dn**

50 ppm

- 1200 x 1200 dpi
- 2400 Image Quality
- A3 support
- Large Workgroup

MEDIUM TO LARGE WORKGROUP      LARGE WORKGROUP



**Lexmark X646e**

48 ppm

- 1200 x 1200 dpi
- Medium to Large Workgroup



**Lexmark X646dte**

48 ppm

- 1200 x 1200 dpi
- Medium to Large Workgroup



**Lexmark X646ef**

48 ppm

- 1200 x 1200 dpi
- Medium to Large Workgroup



**A3**

**Lexmark X850e/852e/854e**

35 ppm / 45 ppm / 55 ppm

- 1200 x 1200 dpi
- A3 support
- Large Workgroup

## SCANNER



**Lexmark 4600 MFP Option**

- A4 ADF Colour Scanner 50-sheet
- 33 ppm Mono / 17 ppm Colour

## DOT MATRIX PRINTERS



**Lexmark X1270**

17 ppm mono

- 9 pins
- Narrow / Wide carriage



**Lexmark X2470**

17 ppm mono

- 24 pins
- Narrow / Wide carriage



**Lexmark X3470**

17 ppm mono

- 9 pins

# Product Overview: Colour Range



## INKJET PRINTER

### HOME



**Lexmark Z640**  
14 ppm mono  
8 ppm colour

- Up to 4800 dpi
- Personal Printing



**Lexmark Z645**  
17 ppm mono  
9 ppm colour

- Up to 4800 dpi
- Personal Printing



**Lexmark Z735**  
15 ppm mono  
15 ppm colour

- Up to 4800 dpi
- Personal Printing

## INKJET PRINTER

### SMALL & HOME OFFICES



**Lexmark X1270**  
17 ppm mono  
9 ppm colour

- Up to 4800 dpi
- Personal Printing



**Lexmark X2470**  
17 ppm mono  
17 ppm colour

- Up to 4800 dpi
- Personal Printing



**Lexmark X3470**  
17 ppm mono  
17 ppm colour

- Up to 4800 dpi
- Personal Printing



**Lexmark X7350**  
25 ppm mono  
19 ppm colour

- Up to 4800 dpi
- Personal & Small Workgroup



**Lexmark X8350**  
25 ppm mono  
19 ppm colour

- Up to 4800 dpi
- Personal & Small Workgroup



**Lexmark F4270**  
19 ppm mono  
10 ppm colour

- Up to 4800 dpi
- Personal & Small Workgroup

## INKJET PRINTER

### PHOTO



**Lexmark P315**  
38 sec.  
(draft mode)

- Up to 4800 dpi
- Personal Printing



**Lexmark P450**  
38 sec.  
(draft mode)

- Up to 4800 dpi
- Personal Printing



**Lexmark P915**  
22 ppm mono  
15 ppm colour

- Up to 4800 dpi
- Personal Printing

## LASER PRINTERS

### SMALL, MEDIUM AND LARGE WORKGROUP



**Lexmark C500n**  
31 ppm mono  
8 ppm colour

- 1200 x 600 dpi
- Small Workgroup



**Lexmark C522n**  
19 ppm mono  
19 ppm colour

- 4800 CQ
- Small Workgroup



**Lexmark C524n/dn/dtn**  
19 ppm mono  
19 ppm colour

- 4800 CQ
- Medium Workgroup



**Lexmark C920n/dn/dtn**  
36 ppm mono  
32 ppm colour

- 2400 IQ
- Large Workgroup



# Lexmark E120/n



- The perfect fit for your budget. With a very attractive design and price, Lexmark's compact E120/n was created to bring laser printing to small and home offices.
- Business-class performance. Reach up to 19 ppm with a rapid time to first page, and enjoy a smooth, reliable paper feed to keep your workflow moving.



## PAPER HANDLING

<b>Paper Input</b>	
Standard	150 sheets + 15-sheet priority feeder
Maximum	150 sheets + 15-sheet priority feeder
<b>Paper Output</b>	
Standard	50 sheets
Maximum	50 sheets
<b>Media Types Supported</b>	Plain Paper, Envelopes, Card Stock, Transparencies, Paper Labels
<b>Media Sizes Supported</b>	A5, A4, JIS-B5, Statement, Executive, Letter, Folio, Legal, Ledger, Universal, Envelope (7 3/4, 9, 10, DL, C5, B5)

## CONNECTIVITY / NETWORK

<b>Connectivity (standard)</b>	
Standalone	USB Compatible with USB 2.0 Specification
Network	Fast Ethernet USB Compatible with USB 2.0 Specification
<b>Connectivity (optional)</b>	
External Print Servers	N4000e Fast Ethernet (1) N4050e 802.11g Wireless (1) MarkNet N7000e Fast Ethernet (1) MarkNet N7020e Gigabit Ethernet (4 ports) (1)
<b>Printer Languages</b>	
Standalone	Host-Based Printing
Network	PCL® 6 Emulation, PostScript® 3 Emulation (for Mac OS only)
<b>Operating Systems Supported</b>	
Microsoft Windows	98, Me, NT, 2000, XP, Server 2003
Apple Macintosh	E120n only (Mac OS 9.x, Mac OSX)
Novell, Sun, Linux	Please visit <a href="http://www.lexmark.com">www.lexmark.com</a> for a complete list of supported versions

## PHYSICAL SPECIFICATIONS

<b>Dimensions (W x D x H)</b>	485 x 292 x 325 mm
<b>Weight</b>	6.9 kg
<b>Acoustics/Noise Level</b>	Standby mode: 26 dBA Printing mode: 49 dBA
<b>Power and Electrical Specifications</b>	Printing mode: 300 W Standby mode: 55 W Power saver mode: 8 W
<b>Cost-saving and Environmental Features</b>	Energy Star compliant, high-yield toner cartridges available, power saver mode, selectable print darkness levels, print and hold (Verify print), multi-up printing

## Print Technology

Monochrome Laser  
**Product Class**  
 Small and home offices  
**Print Speed**  
 Up to 19 ppm in A4  
 Up to 20 ppm in Letter  
**Time to First Page**  
 As fast as 8 seconds  
**Print Quality**  
 600 x 600 dpi  
 1200 Image Quality  
**Processor**  
 183 MHz  
**Memory**  
 8 MB (E120)  
 16 MB (E120n)

High-quality laser printing without the high-quality price!

Big advantages for your small office!

## Models Available

E120: standalone  
 E120n: network

## SUPPLIES

Ships with 0.5K\* pages Return Programme toner cartridge  
 2K\* pages Return Programme toner cartridge (aftermarket)  
 Regular cartridge is also available  
 25K pages Photoconductor

\* Average cartridge yield. Declared yield value in accordance with ISO/IEC 19752.

Printers and supplies are designed for use in Europe, Middle East and Africa only.



## SERVICES

<b>Guarantee</b>	1 year return to base, response time 5 to 7 business days
<b>Service Offering</b>	Total 3 year guarantee pack return to base, response time 5 to 7 business days 1 year renewal return to base, response time 5 to 7 business days Base guarantee upgrade, exchange (1st year), response time next business day Total 3 year guarantee pack exchange, response time next business day 1 year renewal exchange, response time next business day Base guarantee upgrade, on-site exchange (1st year), response time next business day Total 3 year guarantee pack on-site exchange, response time next business day 1 year renewal on-site exchange, response time next business day
<b>Optional Services</b>	Installation service, deinstallation service, trade-in of old products, hardware and software training

Printer configuration	88 - 99
Connectivity-applications solutions	100 - 113
Compatibility	114 - 125
Supplies	126 - 135
Services	136 - 147

PART NO.	DESCRIPTION
0023S0110	Lexmark E120
0023S0337	Lexmark E120n

(1) Requires USB connection.



# Lexmark E240/n



- Stylish but swift. Compact, durable and backed by a 366 MHz processor, this speedy desktop printer reaches rapid speeds up to 26 ppm.
- Reliable and easy to use. Benefit from easy front-loading supplies, PCL printing, and advanced technology that practically eliminates paper jams.
- Greater choices for you. You can opt for a network-ready model, extra memory, and a second input drawer to boost capacity or load various media.



## PAPER HANDLING

<b>Paper Input</b>	
Standard	250 sheets + 1 manual
Maximum	800 sheets + 1 manual
Optional	550-sheet drawer
<b>Paper Output</b>	
Standard	150 sheets
Maximum	150 sheets
<b>Media Types Supported</b>	
Plain Paper, Envelopes, Card Stock, Transparencies, Paper Labels, Polyester Labels	
<b>Media Sizes Supported</b>	
A5, A4, JIS-B5, Statement, Executive, Letter, Folio, Legal, Ledger, Universal, Envelope (7 3/4, 9, 10, DL, C5, B5)	

## CONNECTIVITY / NETWORK

<b>Connectivity (standard)</b>	
Standalone	Centronics IEEE 1284 Bidirectional Parallel USB Compatible with USB 2.0 Specification
Network	Centronics IEEE 1284 Bidirectional Parallel USB Compatible with USB 2.0 Specification Fast Ethernet
<b>Connectivity (optional)</b>	
External Print Servers	N4000e Fast Ethernet(1) N4050e 802.11g Wireless(1) MarkNet N7000e Fast Ethernet(1) MarkNet N7002e Fast Ethernet(2) MarkNet N7020e Gigabit Ethernet (4 ports)(1)
<b>Other Attachment Options</b>	
RS-232C Serial Interface Card	
<b>Printer Languages</b>	
PCL® 6 Emulation, PostScript® 3 Emulation (only w/ Mac OS for the E240 model)	
<b>Operating Systems Supported</b>	
Microsoft Windows	98, Me, NT, 2000, XP, Server 2003
Apple Macintosh	Mac OS 9.x, X (10.2 or later)
Novell, Sun, Linux	Please visit <a href="http://www.lexmark.com">www.lexmark.com</a> for a complete list of supported versions

## PHYSICAL SPECIFICATIONS

<b>Dimensions (W x D x H)</b>	460 x 420 x 355 mm
<b>Weight</b>	10 kg
<b>Acoustics/Noise Level</b>	
Standby mode:	26 dBA
Printing mode:	51 dBA
<b>Power and Electrical Specifications</b>	
Printing mode:	420 W
Standby mode:	70 W
Power saver mode:	8 W
<b>Cost-saving and Environmental Features</b>	
Energy Star compliant, high-yield toner cartridges available, power saver mode, selectable print darkness levels, print and hold (Verify print), multi-up printing	

## Print Technology

Monochrome Laser  
Product Class  
Small and home offices

## Print Speed

Up to 26 ppm in A4  
Up to 27 ppm in Letter

## Time to First Page

As fast as 8 seconds

## Print Quality

1200 Image Quality, 2400 Image Quality  
600 x 600 dpi (1200 x 1200 on E240n)

## Processor

366 MHz

## Memory

16 MB expandable to 80 MB (E240)  
32 MB expandable to 160 MB (E240n)

Your fast, reliable desktop partner!

It's not just fast. It's steadfast!

## Models Available

E240: standalone  
E240n: network

## SUPPLIES

Ships with 1.5K\* pages Return Programme toner cartridge  
2.5K\* pages Return Programme toner cartridge (aftermarket)  
Regular cartridge is also available  
30K pages Photoconductor kit

\* Average cartridge yield. Declared yield value in accordance with ISO/IEC 19752.

Printers and supplies are designed for use in Europe, Middle East and Africa only.



## SERVICES

<b>Guarantee</b>	1 year return to base, response time 5 to 7 business days
<b>Service Offering</b>	Total 3 year guarantee pack return to base, response time 5 to 7 business days 1 year renewal return to base, response time 5 to 7 business days Base guarantee upgrade, exchange (1st year), response time next business day Total 3 year guarantee pack exchange, response time next business day 1 year renewal exchange, response time next business day Base guarantee upgrade, on-site exchange (1st year), response time next business day Total 3 year guarantee pack on-site exchange, response time next business day 1 year renewal on-site exchange, response time next business day
<b>Optional Services</b>	Installation service, deinstallation service, trade-in of old products, hardware and software training

Printer configuration	88 - 99
Connectivity-applications solutions	100 - 113
Compatibility	114 - 125
Supplies	126 - 135
Services	136 - 147

PART NO.	DESCRIPTION	PART NO.	DESCRIPTION
0028S0237	Lexmark E240	<b>Paper Handling</b> 0028S0802	550-sheet drawer with tray
0028S0437	Lexmark E240n		
<b>Memory Options</b>			
001021257	32 MB SDRAM		
001021258	64 MB SDRAM		
001021259	128 MB SDRAM		

(1) Requires USB connection. (2) Requires external parallel connection.





# Lexmark E340

- Thanks to its compact size, low running costs and attractive price, this personal laser printer is affordable and easy to own.
- A 2-line LCD display provides clear information, simplifying printing and maintenance tasks.
- Enhance document quality and workflow with 1200 x 1200 dpi, a rapid output speed and a very fast time to first page.



## Print Technology

Monochrome Laser  
**Product Class**  
 Personal Printing  
**Print Speed**  
 Up to 28 ppm in A4  
 Up to 30 ppm in Letter  
**Time to First Page**  
 As fast as 7,5 seconds  
**Print Quality**  
 Up to 1200 x 1200 dpi  
 2400 Image Quality  
**Processor**  
 366 MHz  
**Memory**  
 32 MB expandable to 160 MB

## PAPER HANDLING

<b>Paper Input</b>	250 sheets + 1 manual
Standard	800 sheets + 1 manual
Maximum	Optional
Optional	550-sheet drawer
<b>Paper Output</b>	150-sheet top, 1-sheet rear
<b>Media Types Supported</b>	Plain Paper, Envelopes, Card Stock, Transparencies, Paper Labels, Polyester Labels
<b>Media Sizes Supported</b>	A4, A5, JIS B5, Letter, Legal, Statement, Executive, Folio, Universal (76 x 127 mm to 215 x 355 mm) and Envelopes (7 3/4, 9, 10, DL, C5, B5, other)

## CONNECTIVITY / NETWORK

<b>Connectivity (standard)</b>	Centronics IEEE 1284 Bidirectional Parallel, USB Compatible with USB 2.0 Specification
<b>Connectivity (optional)</b>	N4000e Fast Ethernet(1)
<b>External Print Servers</b>	N4050e 802.11g Wireless(1) MarkNet N7000e Fast Ethernet(1) MarkNet N7002e Fast Ethernet(2) MarkNet N7020e Gigabit Ethernet (4 ports)(1)
<b>Printer Languages</b>	PCL® 6 Emulation, PostScript® 3 Emulation, PPDS Migration Tool
<b>Operating Systems Supported</b>	Microsoft Windows Apple Macintosh Novell, Linux
	Windows 9x, Me, NT, 2000, XP, XP x64, Server 2003 Mac OS 9.x, X (10.2 or later) Different versions supported For a complete list, please visit <a href="http://www.lexmark.com">www.lexmark.com</a>

## PHYSICAL SPECIFICATIONS

<b>Dimensions (W x D x H)</b>	248 x 396 x 353 mm
<b>Weight</b>	10kg
<b>Acoustics/Noise Level</b>	Standby mode: 27 dBA Printing mode: 52 dBA
<b>Power and Electrical Specifications</b>	Printing mode: 460 W Standby mode: 70 W Power saver mode: 10 W
<b>Cost-saving and Environmental Features</b>	Energy Star compliant High-yield toner cartridges Power saver mode Selectable print darkness levels

(1) Requires USB connection. (2) Requires external parallel connection.



Fast business printing just got more personal!

## Model Available

E340: standalone

## SUPPLIES

Ships with 1,5K\* pages Return Programme toner cartridge  
 6K\* pages Return Programme toner cartridge (aftermarket). Regular cartridge is also available  
 2,5K\* pages Return Programme toner cartridge (aftermarket). Regular cartridge is also available  
 30K pages Photoconductor

\* Average cartridge yield. Declared yield value in accordance with ISO/IEC 19752.

Printers and supplies are designed for use in Europe, Middle East and Africa only.

## SERVICES

<b>Guarantee</b>	1 year, return to base, response time 5 to 7 business days	88 - 99
<b>Service Offering</b>	Base guarantee upgrade exchange, response time next business day Total 3 year guarantee pack, exchange, response time next business day 1 year renewal pack, exchange, response time next business day Base guarantee upgrade on-site exchange, response time next business day Total 3 year guarantee, on-site exchange, response time next business day 1 year renewal pack, on-site exchange, response time next business day	100 - 113 114 - 125 126 - 135 136 - 147
<b>Optional Services</b>	Installation service, deinstallation service, hardware and software training, trade-in of old products	



PART NO.	DESCRIPTION	PART NO.	DESCRIPTION
0028S0537	Lexmark E340	0028S0802	550-sheet drawer with tray
<b>Memory Options</b>			
001021257	32 MB SDRAM		
001021258	64 MB SDRAM		
001021259	128 MB SDRAM		
001021208	32 MB Flash Card		



# Lexmark E342n/tn



- Achieve higher performance at a lower cost. The affordable E342n reaches ultra-fast print speeds of up to 28 ppm.

- Benefit from trouble-free setup and configuration, plus automated network management tools to print longer with virtually no interruption.

- Manage your printer easily. The newly designed operator panel provides all the information you need in one glance.



Model E342tn

## Print Technology

Monochrome Laser  
**Product Class**  
 Desktop Small Workgroup  
**Print Speed**  
 Up to 28 ppm in A4  
 Up to 30 ppm in Letter  
**Time to First Page**  
 As fast as 7,5 seconds  
**Print Quality**  
 Up to 1200 x 1200 dpi  
 2400 Image Quality  
**Processor**  
 366 MHz  
**Memory**  
 32 MB expandable to 160 MB

## PAPER HANDLING

<b>Paper Input</b>	250 sheets + 1 manual
Standard	800 sheets + 1 manual
Maximum	Optional
Optional	550 sheets drawer (standard on E342tn)
<b>Paper Output</b>	150-sheet top, 1-sheet rear
<b>Media Types Supported</b>	Plain Paper, Envelopes, Card Stock, Transparencies, Paper Labels, Polyester Labels
<b>Media Sizes Supported</b>	A4, A5, JIS B5, Letter, Legal, Statement, Executive, Folio, Universal (76 x 127 mm to 215 x 355 mm) and Envelopes (7 3/4, 9, 10, DL, C5, B5, other)

## CONNECTIVITY / NETWORK

<b>Connectivity (standard)</b>	Centronics IEEE 1284 Bidirectional Parallel, USB Compatible with USB 2.0 Specification, Fast Ethernet
<b>Connectivity (optional)</b>	N4000e Fast Ethernet(1)
<b>External Print Servers</b>	N4050e 802.11g Wireless MarkNet N7000e Fast Ethernet(1) MarkNet N7002e Fast Ethernet(2) MarkNet N7020e Gigabit Ethernet (4 ports)(1)
<b>Network Management Software</b>	MarkVision Professional Management
<b>Printer Languages</b>	PCL® 6 Emulation, PostScript® 3 Emulation, PPDS Migration Tool
<b>Operating Systems Supported</b>	Microsoft Windows Apple Macintosh Novell, Linux
	Windows 9x, Me, NT, 2000, XP, XP x64, Server 2003 Mac OS 9.x, X (10.2 or later) Novell, Linux: different versions supported For a complete list, please visit <a href="http://www.lexmark.com">www.lexmark.com</a>

## PHYSICAL SPECIFICATIONS

<b>Dimensions (W x D x H)</b>	248 x 396 x 353 mm (E342n model) 130 x 393 x 376 mm (550-sheet drawer)
<b>Weight</b>	10 kg (E342n model)
<b>Acoustics/Noise Level</b>	Standby mode: 27 dBA Printing mode: 52 dBA
<b>Power and Electrical Specifications</b>	Printing mode: 460 W Standby mode: 70 W Power saver mode: 10 W
<b>Cost-saving and Environmental Features</b>	Energy Star compliant High-yield toner cartridges Power saver mode Selectable print darkness levels

(1) Requires USB connection. (2) Requires external parallel connection.

Sharing has never been so simple

## SUPPLIES

Ships with 2.5K\* pages Return Programme toner cartridge  
 6K\* pages Return Programme toner cartridge (aftermarket). Regular cartridge is also available  
 2.5K\* pages Return Programme toner cartridge (aftermarket). Regular cartridge is also available  
 30K pages Photoconductor

\* Average cartridge yield. Declared yield value in accordance with ISO/IEC 19752.

Printers and supplies are designed for use in Europe, Middle East and Africa only.

## SERVICES

<b>Base Guarantee</b>	1 year, return to base, response time 5 to 7 business days
<b>Service Offering</b>	Base guarantee upgrade exchange, response time next business day Total 3 year guarantee pack, exchange, response time next business day 1 year renewal pack, exchange, response time next business day Base guarantee upgrade on-site exchange, response time next business day Total 3 year guarantee pack, on-site exchange, response time next business day 1 year renewal pack, on-site exchange, response time next business day
<b>Optional Services</b>	Installation service, deinstallation service, hardware and software training, trade-in of old products

## Models Available

E342n: network  
 E342tn: E342n + 550-sheet drawer



Printer configuration	88 - 99
Connectivity-applications solutions	100 - 113
Compatibility	114 - 125
Supplies	126 - 135
Services	136 - 147

PART NO.	DESCRIPTION	PART NO.	DESCRIPTION
0028S0637	Lexmark E342n	Paper Handling 0028S0802	550-sheet drawer with tray
0028S0737	Lexmark E342tn		
<b>Memory Options</b>			
001021257	32 MB SDRAM		
001021258	64 MB SDRAM		
001021259	128 MB SDRAM		
001021208	32 MB Flash Card		



# Lexmark T640/n/dn/dtn

- Exceptional value: enjoy professional print quality and outstanding performance at a price that suits your budget.
- Painless operation: scale new heights in productivity with a full range of user-friendly features, including a USB direct interface for PC-free printing.
- Total reliability: achieve greater peace of mind thanks to a new robust design, heavy output capacity and Lexmark's solid one-year on-site repair guarantee!



**Print Technology**  
Monochrome Laser  
**Product Class**  
Small and Medium Workgroup  
**Print Speed**  
Up to 33 ppm in A4  
Up to 35 ppm in Letter  
**Time to First Page**  
As fast as 6 seconds  
**Print Quality**  
Up to 1200 x 1200 dpi  
2400 Image Quality  
**Processor**  
400 MHz  
**Memory**  
64 MB expandable to 576 MB

## PAPER HANDLING

<b>Paper Input</b>	
Standard	T640, T640n, T640dn: 250 sheets + 100 (multipurpose feeder) T640dtn: 250 sheets + 500 sheets + 100 (multipurpose feeder)
Maximum	3850 sheets
Optional	250-sheet drawer, 500-sheet drawer, 2000-sheet drawer, 250-sheet universally adjustable drawer, 400-sheet universally adjustable drawer, 85-envelope feeder, 250-sheet duplex unit
<b>Paper output</b>	
Standard	250 sheets
Maximum	2750 sheets
Optional	650-sheet output expander, 1850-sheet high-capacity output stacker, StapleSmart finisher, 5-bin mailbox
<b>Media Types Supported</b>	Plain Paper, Envelopes, Card Stock, Transparencies, Paper Labels(1), Dual-Web Labels(1), Polyester Labels(1), Vinyl Labels(1)
<b>Media Sizes Supported</b>	A4, A5, JIS B5, Letter, Legal, Statement, Executive, Folio, Universal (70 x 127 mm to 216 x 356 mm) and Envelopes (7 3/4, 9, 10, DL, C5, B5, other)

## CONNECTIVITY / NETWORK

<b>Connectivity (standard)</b>	
Standalone	Centronics IEEE 1284 Bidirectional Parallel, One Internal Card Slot, USB Compatible with USB 2.0 Specification, USB Direct interface on Operator Panel
Network	Centronics IEEE 1284 Bidirectional Parallel, One Internal Card Slot, USB Compatible with USB 2.0 Specification, USB Direct interface on Operator Panel and Fast Ethernet
<b>Connectivity (optional)</b>	
Internal Print Servers(5)	MarkNet N8000 Fast Ethernet, MarkNet N8020 Gigabit Ethernet, MarkNet N8030 Fibre Ethernet, MarkNet N8050 802.11g Wireless
External Print Servers	N4000e Fast Ethernet(2), N4050e 802.11g Wireless(2), MarkNet N7000e Fast Ethernet(2), MarkNet N7002e Fast Ethernet(3), MarkNet N7020e Gigabit Ethernet (4 ports)(2)
Other Attachment Options	Coax/Twinax Adapter for SCS, Parallel 1284-B Interface Card, RS-232C Serial Interface Card
<b>Network Management Software</b>	MarkVision Professional
<b>Printer Languages</b>	PCL® 6 Emulation, PostScript® 3 Emulation, PPDS Migration Tool, PDF v1.5 emulation, ImageQuick™(4) (JPEG, JPG, TIFF, BMP, GIF, PNG, PCX and DCX)
<b>Operating Systems Supported</b>	
Microsoft Windows	Windows 9x, Me, NT, 2000, XP, Server 2003
Apple Macintosh	Mac OS 9.x, X (10.2 or later)
Novell, Linux	Please visit our website <a href="http://www.lexmark.com">www.lexmark.com</a> for a complete list of supported versions
<b>Applications Solutions</b>	Bar code Card, Card for IPDS and SCS/Tne, Prescribe Card, PrintCryption Card, Forms Card

## PHYSICAL SPECIFICATIONS

<b>Dimensions (W x D x H)</b>	345 x 424 x 498 mm (T640/ T640n)
<b>Weight</b>	17 kg (T640/ T640n)
<b>Acoustics/Noise Level</b>	Standby mode: 30 dBA Simplex printing mode: 53 dBA
<b>Power and Electrical Specifications</b>	Printing mode: 525 W Standby mode: 90 W Power saver mode: 20 W
<b>Cost-saving and Environmental Features</b>	Energy Star compliant High-yield toner cartridges available Optional duplex printing (Standard on T640dn and T640dtn) Power saver mode Selectable print darkness levels Print and hold (Verify print) Multi-up printing

(1) Printing label applications requires a special fuser cleaner included in the cartridge for labels. (2) Requires USB connection. (3) Requires external parallel connection. (4) Network models only. (5) Only one internal connection can be active at any given time.



High quality, low cost for your heavy output needs

## SUPPLIES

Ships with 6K\* pages return programme print cartridge  
21K\* pages high-yield return programme print cartridge  
21K\* pages high-yield return programme print cartridge for label applications  
6K\* pages return programme print cartridge  
21K\* and 6K\* pages regular print cartridges also available  
Staples

\* Average cartridge yield. Declared yield value in accordance with ISO/IEC 19752.

Printers and supplies are designed for use in Europe, Middle East and Africa only.

## SERVICES

**Guarantee** 1 year on-site repair, response time next business day

**Service Offering** Total 3 year guarantee pack on-site repair, response time next business day  
1 year renewal guarantee on-site repair, response time next business day

**Optional Services** Installation service, deinstallation service, hardware and software training, trade-in of old products

## Models Available

T640: Standalone

T640n: T640 + network

T640dn: T640n + duplex

T640dtn: T640dn + 500-sheet drawer



Printer configuration	88 - 99
Connectivity-applications solutions	100 - 113
Compatibility	114 - 125
Supplies	126 - 135
Services	136 - 147

PART NO.	DESCRIPTION	PART NO.	DESCRIPTION
0020G0115	Lexmark T640		
0020G0165	Lexmark T640n		
0020G0415	Lexmark T640dn		
0020G0515	Lexmark T640dtn		
<b>Memory Options</b>			
0013N1523	128 MB		
0013N1524	256 MB		
0013N1526	512 MB		
001021208	32 MB Flash Card		
001021209	64 MB Flash Card		
0013N1541	T64x Hard Drive		
<b>Paper Handling</b>			
0020G0889	250-Sheet Drawer		
0020G0890	500-Sheet Drawer		
0020G0879	250-Sheet Tray		
0020G0884	500-Sheet Tray		
0020G0893	2000-Sheet Drawer (A4)		
0020G0887	250-Sheet Duplex Unit		
0020G0891	Envelope Feeder		
0020G0894	Output Expander		
0020G0896	High-Capacity Output Stacker		
0020G0895	5-Bin Mailbox		
0020G0897	StapleSmart Finisher		
0020G1223	250-Sheet Universally Adjustable Drawer		
0020G1224	250-Sheet Universally Adjustable Tray		
0020G1218	400-Sheet Universally Adjustable Drawer		
0020G1217	400-Sheet Universally Adjustable Tray		
0011K4647	T Vertical Kiosk Presenter		
0011K4648	T Horizontal Kiosk Presenter		
<b>Multifunction Upgradability</b>			
0021J0109	Lexmark 4600 MFP Option		
<i>For further information please refer to Lexmark 4600 MFP Option page (80-81)</i>			
<b>Furniture</b>			
0016C0369	Printer stand w/ cab.		
0016C0379	Printer stand low		
0016C0389	Printer stand w/o cab.		
0016C0399	Scanner stand w/ cab.		
0022G0551	10' cab. printer/MFP*		
0022G0544	Stability enhanced caster base		
<i>* For safety reason a Stability Enhanced Caster Base is required</i>			
<b>Applications Solutions</b>			
0020G0739	T64x Prescribe Card		
<i>For the W840 ThinPrint Card, please contact your local representative.</i>			
<i>For applications solutions please refer to chapter Connectivity (100-113)</i>			



# Lexmark T642/n/tn/dtn

- Flexibility for growing businesses: innovation for your busy output needs of today. And a wide range of flexible options for your demanding needs of tomorrow.
- Confidential printing: no more need to race to the printer to hide confidential print jobs. Lexmark security ensures your documents stay safe and sound.
- Solid dependability: spend less time on maintenance tasks, thanks to a robust design, exceptionally high duty cycle and simplified network management tools.



## Print Technology

Monochrome Laser  
**Product Class**  
 Medium Workgroup  
**Print Speed**

Up to 43 ppm in A4  
 Up to 45 ppm in Letter  
**Time to First Page**  
 As fast as 8.5 seconds

**Print Quality**  
 Up to 1200 x 1200 dpi  
 2400 Image Quality  
**Processor**  
 457 MHz

**Memory**  
 64 MB expandable to 576 MB (T642)  
 128 MB expandable to 640 MB<sup>(1)</sup>

## PAPER HANDLING

<b>Paper Input</b> Standard	T642, T642n: 500 sheets + 100 (multipurpose feeder) T642tn, T642dtn: 2 x 500 sheets + 100 (multipurpose feeder)
Maximum Optional	4100 sheets 250-sheet drawer, 500-sheet drawer, 2000-sheet drawer, 250-sheet universally adjustable drawer, 400-sheet universally adjustable drawer, 85-envelope feeder, 500-sheet duplex unit

<b>Paper Output</b> Standard Maximum Optional	500 sheets 3000 sheets 650-sheet output expander, 1850-sheet high-capacity output stacker, StapleSmart finisher, 5-bin mailbox
<b>Media Types Supported</b>	Plain Paper, Envelopes, Card Stock, Transparencies, Paper Labels(1), Dual-Web, Labels(1), Polyester Labels(1), Vinyl Labels(1)

<b>Media Sizes Supported</b>	A4, A5, JIS B5, Letter, Legal, Statement, Executive, Folio, Universal (70 x 127 mm to 216 x 356 mm) and Envelopes (7 3/4, 9, 10, DL, C5, B5, other)
------------------------------	---

## CONNECTIVITY / NETWORK

<b>Connectivity (standard)</b> Standalone	Centronics IEEE 1284 Bidirectional Parallel, Two Internal Card Slots, USB Compatible with USB 2.0 Specification, USB Direct interface on Operator Panel
Network	Centronics IEEE 1284 Bidirectional Parallel, Two Internal Card Slots, USB Compatible with USB 2.0 Specification, USB Direct interface on Operator Panel and Fast Ethernet

<b>Connectivity (optional)</b> Internal Print Servers(5)	MarkNet N8000 Fast Ethernet, MarkNet N8020 Gigabit Ethernet, MarkNet N8030 Fibre Ethernet, MarkNet N8050 802.11g Wireless N4000e Fast Ethernet(2), N4050e 802.11g Wireless(2), MarkNet N7000e Fast Ethernet(2), MarkNet N7002e Fast Ethernet(3), MarkNet N7020e Gigabit Ethernet (4 ports)(2)
External Print Servers	Coax/Twinax Adapter for SCS, Parallel 1284-B Interface Card, RS-232C Serial Interface Card

Other Attachment Options	MarkVision Professional
<b>Network Management Software</b>	PCL® 6 Emulation, PostScript® 3 Emulation, PPDS Migration Tool, PDF v1.5 emulation, ImageQuick™(4) (JPEG, JPG, TIFF, BMP, GIF, PNG, PCX and DCX)

<b>Operating Systems Supported</b> Microsoft Windows Apple Macintosh Novell, Linux	Windows 9x, Me, NT, 2000, XP, Server 2003 Mac OS 9.x, X (10.2 or later) Please visit our website <a href="http://www.lexmark.com">www.lexmark.com</a> for a complete list of supported versions
<b>Applications Solutions</b>	Bar code Card, Card for IPDS and SCS/Tne, Prescribe Card, PrintCryption Card, Forms Card

## PHYSICAL SPECIFICATIONS

<b>Dimensions (W x D x H)</b>	406 x 436 x 523 mm (T642/T642n)
<b>Weight</b>	23.1 kg (T642/T642n)
<b>Acoustics/Noise Level</b>	Standby mode: 30 dBA Simplex printing mode: 55 dBA
<b>Power and Electrical Specifications</b>	Printing mode: 760 W Standby mode: 95 W Power saver mode: 20 W Energy Star compliant
<b>Cost-saving and Environmental Features</b>	High-yield toner cartridges available Optional duplex printing (Standard on T642dtn) Power saver mode Selectable print darkness levels Print and hold (Verify print) Multi-up printing

(1) Printing label applications requires a special fuser cleaner included in the cartridge for labels. (2) Requires USB connection. (3) Requires external parallel connection. (4) Network models only. (5) Only one internal connection can be active at any given time.



## Versatility to expand your possibilities

### SUPPLIES

Ships with 6K\* pages return programme print cartridge  
 21K\* pages high-yield return programme print cartridge  
 21K\* pages high-yield return programme print cartridge for label applications  
 6K\* pages return programme print cartridge  
 21K and 6K\* pages regular print cartridges also available  
 Staples

\* Average cartridge yield. Declared yield value in accordance with ISO/IEC 19752.

Printers and supplies are designed for use in Europe, Middle East and Africa only.

### SERVICES

**Guarantee** 1 year on-site repair, response time next business day

**Service Offering** Total 3 year guarantee pack on-site repair, response time next business day  
 1 year renewal guarantee on-site repair, response time next business day

**Optional Services** Installation service, deinstallation service, hardware and software training, trade-in of old products

## Models Available

T642: standalone

T642n: T642 + network

T642tn: T642n + 500-sheet drawer

T642dtn: T642tn + duplex



Printer configuration	88 - 99
Connectivity-applications solutions	100 - 113
Compatibility	114 - 125
Supplies	126 - 135
Services	136 - 147

PART NO.	DESCRIPTION	PART NO.	DESCRIPTION
0020G0215	Lexmark T642	<b>Multifunction Upgradability</b> 0021J0114 <i>For further information please refer to Lexmark 4600 MFP Option page (80-81)</i>	Lexmark 4600 MFP Option
0020G0265	Lexmark T642n		
0020G0445	Lexmark T642tn		
0020G0545	Lexmark T642dtn		
<b>Memory Options</b>		<b>Furniture</b>	
0013N1523	128 MB	0016C0369	Printer stand w/ cab.
0013N1524	256 MB	0016C0379	Printer stand low
0013N1526	512 MB	0016C0389	Printer stand w/o cab.
0010I21208	32 MB Flash Card	0016C0399	Scanner stand w/ cab.
0010I21209	64 MB Flash Card	0022G0551	10" cab. printer/MFP*
0013N1541	T64x Hard Drive	0022G0544	Stability enhanced caster base
<b>Paper Handling</b>		<i>* For safety reason a Stability Enhanced Caster Base is required</i>	
0020G0889	250-Sheet Drawer	<b>Applications Solutions</b>	
0020G0890	500-Sheet Drawer	0020G0739	T64x Prescribe Card
0020G0879	250-Sheet Tray	<i>For the T64X ThinPrint Card, please contact your local representative.</i>	
0020G0884	500-Sheet Tray	<i>For applications solutions please refer to chapter Connectivity (100-113)</i>	
0020G0893	2000-Sheet Drawer (A4)		
0020G0888	250-Sheet Duplex Unit		
0020G0891	Envelope Feeder		
0020G0894	Output Expander		
0020G0896	High-Capacity Output Stacker		
0020G0895	5-Bin Mailbox		
0020G0897	StapleSmart Finisher		
0020G1223	250-Sheet Universally Adjustable Drawer		
0020G1224	250-Sheet Universally Adjustable Tray		
0020G1218	400-Sheet Universally Adjustable Drawer		
0020G1217	400-Sheet Universally Adjustable Tray		
0011K4647	T Vertical Kiosk Presenter		
0011K4648	T Horizontal Kiosk Presenter		





# Lexmark T644/n/tn/dtn



- Very low-cost printing: drive down printing costs while significantly enhancing productivity through extra-high-yield toner cartridges.
- Top-notch security: ensure your sensitive corporate information always stays in the right hands, with state-of-the-art data security features.
- Enhanced capabilities: network models now come standard with ImageQuick™ to print Web-based documents easily - directly from the operating panel!



Model T644dn

**Print Technology**  
Monochrome Laser  
**Product Class**  
Large Workgroup  
**Print Speed**  
Up to 48 ppm in A4  
Up to 50 ppm in Letter  
**Time to First Page**  
As fast as 8.5 seconds  
**Print Quality**  
Up to 1200 x 1200 dpi  
2400 Image Quality  
**Processor**  
514 MHz  
**Memory**  
128 MB expandable to 640 MB

## PAPER HANDLING

<b>Paper Input</b> Standard	T644, T644n: 500 sheets + 100 (multipurpose feeder) T644tn, T644dtn: 2 x 500 sheets + 100 (multipurpose feeder)
Maximum Optional	4100 sheets 250-sheet drawer, 500-sheet drawer, 2000-sheet drawer, 250-sheet universally adjustable drawer, 400-sheet universally adjustable drawer, 85-envelope feeder, 500-sheet duplex unit
<b>Paper Output</b> Standard Maximum Optional	500 sheets 3000 sheets 650-sheet output expander, 1850-sheet high-capacity output stacker, StapleSmart finisher, 5-bin mailbox
<b>Media Types Supported</b>	Plain Paper, Envelopes, Card Stock, Transparencies, Paper Labels(1), Dual-Web Labels(1), Polyester Labels(1), Vinyl Labels(1)
<b>Media Sizes Supported</b>	A4, A5, JIS B5, Letter, Legal, Statement, Executive, Folio, Universal (70 x 127 mm to 216 x 356 mm) and Envelopes (7 3/4, 9, 10, DL, C5, B5, other)

## CONNECTIVITY / NETWORK

<b>Connectivity (standard)</b> Standalone	Centronics IEEE 1284 Bidirectional Parallel, Two Internal Card Slots, USB Compatible with USB 2.0 Specification, USB Direct interface on Operator Panel
Network	Centronics IEEE 1284 Bidirectional Parallel, Two Internal Card Slots, USB Compatible with USB 2.0 Specification, USB Direct interface on Operator Panel and Fast Ethernet
<b>Connectivity (optional)</b> Internal Print Servers(5)	MarkNet N8000 Fast Ethernet, MarkNet N8020 Gigabit Ethernet, MarkNet N8030 Fibre Ethernet, MarkNet N8050 802.11g Wireless
External Print Servers	N4000e Fast Ethernet(2), N4050e 802.11g Wireless(2), MarkNet N7000e Fast Ethernet(2), MarkNet N7002e Fast Ethernet(3), MarkNet N7020e Gigabit Ethernet (4 ports)(2)
Other Attachment Options	Coax/Twinax Adapter for SCS, Parallel 1284-B Interface Card, RS-232C Serial Interface Card
<b>Network Management Software</b>	MarkVision Professional
<b>Printer Languages</b>	PCL® 6 Emulation, PostScript® 3 Emulation, PPDS Migration Tool, PDF v1.5 emulation, ImageQuick™(4) (JPEG, JPG, TIFF, BMP, GIF, PNG, PCX and DCX)
<b>Operating Systems Supported</b>	Microsoft Windows Windows 9x, Me, NT, 2000, XP, Server 2003 Apple Macintosh Mac OS 9.x, X (10.2 or later) Novell, Linux Please visit our website <a href="http://www.lexmark.com">www.lexmark.com</a> for a complete list of supported versions
<b>Applications Solutions</b>	Bar code Card, Card for IPDS and SCS/Tne, Prescribe Card, PrintCryption Card, Forms Card

## PHYSICAL SPECIFICATIONS

<b>Dimensions (W x D x H)</b>	406 x 436 x 523 mm (T644/T644n)
<b>Weight</b>	23.1 kg (T644/T644n)
<b>Acoustics/Noise Level</b>	Standby mode: 30 dBA Simplex printing mode 55 dBA
<b>Power and Electrical Specifications</b>	Printing mode: 760 W Standby mode: 95 W Power saver mode: 20 W
<b>Cost-saving and Environmental Features</b>	Energy Star compliant Extra high-yield toner cartridges available Optional duplex printing (Standard on T644dtn) Power saver mode Selectable print darkness levels Print and hold (Verify print) Multi-up printing

(1) Printing label applications requires a special fuser cleaner included in the cartridge for labels. (2) Requires USB connection. (3) Requires external parallel connection. (4) Network models only. (5) Only one internal connection can be active at any given time.

Relentless performance for your heavy workflow needs!

## Models Available

- T644: standalone
- T644n: T644 + network
- T644tn: T644n + 500-sheet drawer
- T644dtn: T644tn + duplex

## SUPPLIES

- Ships with 21K\* pages high-yield return programme print cartridge
- 32K\* pages extra high-yield return programme print cartridge
- 21K\* pages high-yield return programme print cartridge
- 21K\* pages high-yield return programme print cartridge for label applications
- 6K\* pages return programme print cartridge
- 32K\*, 21K\* and 6K\* pages regular print cartridges also available
- Staples

\* Average cartridge yield. Declared yield value in accordance with ISO/IEC 19752.

Printers and supplies are designed for use in Europe, Middle East and Africa only.

## SERVICES

<b>Guarantee</b>	1 year on-site repair, response time next business day
<b>Service Offering</b>	Total 3 year guarantee pack on-site repair, response time next business day 1 year renewal guarantee on-site repair, response time next business day
<b>Optional Services</b>	Installation service, deinstallation service, hardware and software training, trade-in of old products



Printer configuration	88 - 99
Connectivity-applications solutions	100 - 113
Compatibility	114 - 125
Supplies	126 - 135
Services	136 - 147

PART NO.	DESCRIPTION	PART NO.	DESCRIPTION
0020G0315	Lexmark T644	<b>Multifunction Upgradability</b>	
0020G0365	Lexmark T644n	0021J0114	Lexmark 4600 MFP Option
0020G0475	Lexmark T644dn	<i>For further information please refer to Lexmark 4600 MFP Option page (80-81)</i>	
0020G0575	Lexmark T644dtn	<b>Furniture</b>	
<b>Memory Options</b>		0016C0369	Printer stand w/ cab.
0013N1523	128 MB	0016C0379	Printer stand low
0013N1524	256 MB	0016C0389	Printer stand w/o cab.
0013N1526	512 MB	0016C0399	Scanner stand w/ cab.
001021208	32 MB Flash Card	0022G0551	10" cab. printer/MFP*
001021209	64 MB Flash Card	0022G0544	Stability enhanced caster base
0013N1541	T64x Hard Drive	<i>* For safety reason a Stability Enhanced Caster Base is required</i>	
<b>Paper Handling</b>		<b>Applications Solutions</b>	
0020G0889	250-Sheet Drawer	0020G0739	T64x Prescribe Card
0020G0890	500-Sheet Drawer	<i>For the T64x ThinPrint Card, please contact your local representative.</i>	
0020G0879	250-Sheet Tray	<i>For applications solutions please refer to chapter Connectivity (100-113)</i>	
0020G0884	500-Sheet Tray		
0020G0893	2000-Sheet Drawer (A4)		
0020G0888	250-Sheet Duplex Unit		
0020G0891	Envelope Feeder		
0020G0894	Output Expander		
0020G0896	High-Capacity Output Stacker		
0020G0895	5-Bin Mailbox		
0020G0897	StapleSmart Finisher		
0020G1223	250-Sheet Universally Adjustable Drawer		
	250-Sheet Universally Adjustable Tray		
0020G1224	400-Sheet Universally Adjustable Drawer		
0020G1218	400-Sheet Universally Adjustable Tray		
0020G1217	400-Sheet Universally Adjustable Tray		
0011K4647	T Vertical Kiosk Presenter		
0011K4648	T Horizontal Kiosk Presenter		



# Lexmark W840/n/dn



- Print everything from cards and envelopes to large drafts and designs – and A4 documents as fast as 50 ppm!
- Launch print jobs directly from a USB key, quickly and easily via the direct USB interface and intuitive operating panel.
- Ensure your sensitive documents always stay in the right hands, with state-of-the-art data-security features.



**Print Technology**  
Monochrome Laser  
**Product Class**  
Large Workgroup A3  
**Print Speed**  
Up to 50 ppm in A4  
Up to 50 ppm in Letter  
**Time to First Page**  
As fast as 6,8 seconds  
**Print Quality**  
Up to 1200 x 1200 dpi  
2400 Image Quality  
**Processor**  
625 MHz  
**Memory**  
256 MB expandable to 768 MB

## PAPER HANDLING

<b>Paper Input</b>	Tray 1: 500 sheets Tray 2: 500 sheets Multipurpose feeder: 100 sheets 6 trays input with a maximum of 5100 sheets
<b>Maximum Optional</b>	(2 x 500 sheets) or Dual Tray (2000-sheet dual input), High cap Feeder 2000 sheets
<b>Paper Output</b>	Standard: 500 sheets Maximum: 3800 sheets
<b>Optional</b>	Output bin 1: 500 sheets Output bin 2: 3000 sheets Staple, multiposition stapling, hole punch, offsetting
<b>Media Types Supported</b>	Plain Paper, Envelopes, Card Stock, Transparencies, Paper Labels(1), Dual-Web, Labels(1), Polyester Labels(1), Vinyl Labels(1)
<b>Media Weights Supported</b>	64-105 g/m <sup>2</sup> : Integrated tray 1, 2000-sheet dual input, 2000-sheet HCF, Duplex, Finisher Bin 1 64-216 g/m <sup>2</sup> : 2 x 500 option, MPF, Standard Output, Finisher Bin 2, Integrated Tray 2
<b>Media Sizes Supported</b>	A5, A4, A3, Letter, Executive, JIS B5

## CONNECTIVITY / NETWORK

<b>Connectivity (standard)</b>	Standalone	Centronics IEEE 1284 Bidirectional Parallel, One Internal Card Slot, USB Compatible with USB 2.0 Specification, USB Direct interface on Operator Panel
<b>Network</b>	Network	Centronics IEEE 1284 Bidirectional Parallel, One Internal Card Slot, USB Compatible with USB 2.0 Specification, USB Direct interface on Operator Panel and Fast Ethernet
<b>Connectivity (optional)</b>	Internal Print Servers(5)	MarkNet N8000 Fast Ethernet, MarkNet N8020 Gigabit Ethernet, MarkNet N8030 Fibre Ethernet, MarkNet N8050 802.11g Wireless
<b>External Print Servers</b>	External Print Servers	N4000e Fast Ethernet(2), N4050e 802.11g Wireless(2), MarkNet N7000e Fast Ethernet(2), MarkNet N7002e Fast Ethernet(3), MarkNet N7020e Gigabit Ethernet (4 ports)(2)
<b>Other Attachment Options</b>	Other Attachment Options	Coax/Twinax Adapter for SCS, Parallel 1284-B Interface Card, RS-232C Serial Interface Card
<b>Network Management Software</b>	Network Management Software	MarkVision Professional
<b>Printer Languages</b>	Printer Languages	PCL® 6 Emulation, PostScript® 3 Emulation, PPDS Migration Tool, PDF v1.5 emulation, ImageQuick™(4) (JPEG, JPG, TIFF, BMP, GIF, PNG, PCX and DCX)
<b>Operating Systems Supported</b>	Microsoft Windows	Windows 98 (1st and 2nd edition), Me, NT 4.0, NT 4.0 Server, 2000 Professional, 2000 Server, 2000 Advanced Server, XP, Server 2003
<b>Apple Macintosh</b>	Apple Macintosh	Mac OS 9.2 or later with Tri-Port Adapter or MarkNet Print Server, Mac OS 9.2 or later with USB interface or MarkNet Print Server
<b>Novell, Linux</b>	Novell, Linux	Please visit our website <a href="http://www.lexmark.com">www.lexmark.com</a> for a complete list of supported versions
<b>Applications Solutions</b>	Applications Solutions	Bar code Card, IPDS, SCS/Tne Card, Forms Card

## PHYSICAL SPECIFICATIONS

<b>Dimensions (W x D x H)</b>	Base Model: 995 x 650 x 650 mm
<b>Weight</b>	50.4 kg
<b>Acoustics/Noise Level</b>	Standby mode: 30 dBA Simplex printing mode: 55 dBA
<b>Power and Electrical Specifications</b>	Printing mode: 700 W Standby mode: 105 W Power saver mode: 9 W
<b>Cost-saving and Environmental Features</b>	Selectable print darkness levels, print and hold (Verify Print), multi-up printing, optional duplex printing (Standard on W840dn)

(1) Printing label applications requires a special fuser cleaner included in the cartridge for labels. (2) Requires USB connection. (3) Requires external parallel connection. (4) Network models only. (5) Only one internal connection can be active at any given time.

## Wide-format mono with cutting-edge data security!

### SUPPLIES

Ships with 30K\* pages toner cartridge  
30K\* pages toner cartridge (aftermarket)  
60K\*\* pages photoconductor kit  
Staples

\* Average cartridge yield. Declared yield value in accordance with ISO/IEC 19752.  
\*\* At approximately 6 pages per job A4/Letter.

### SERVICES

<b>Guarantee</b>	1 year on-site repair, response time next business day
<b>Service Offering</b>	Total 3 year guarantee pack on-site repair, response time next business day 1 year renewal guarantee on-site repair, response time next business day
<b>Optional Services</b>	Installation service, deinstallation service, trade-in of old products, hardware and software training

## Models Available

W840: standalone  
W840n: network  
W840dn: duplex network



Printer configuration	88 - 99
Connectivity-applications solutions	100 - 113
Compatibility	114 - 125
Supplies	126 - 135
Services	136 - 147

PART NO.	DESCRIPTION	PART NO.	DESCRIPTION
0025A0083	Lexmark W840	<b>Paper Handling</b>	
0025A0084	Lexmark W840n	0015R0146	2 x 500-sheet drawer
0025A0085	Lexmark W840dn	0015R0120	2000-sheet dual input
<b>Memory Options</b>		0015R0145	2000-sheet High-cap feeder
0013N1523	128 MB SDRAM-168 pin	0015R0143	2/4 Hole finisher
0013N1524	256 MB SDRAM-168 pin	0025A0015	Duplex unit
0013N1526	512 MB SDRAM-168 pin	<b>Applications Solutions</b>	
<b>Flash Memory</b>		0025A0033	W840 Prescribe Card
001021208	32 MB DIMM	<i>For the W840 ThinPrint Card, please contact your local representative.</i>	
001021209	64 MB DIMM	<i>For applications solutions please refer to chapter Connectivity (100-113)</i>	
<b>Hard Disk</b>			
0013N1530	W840 Hard Drive		





# Lexmark C500n



- Fast mono printing. Above all, the C500n is built for high-speed mono printing, delivering up to 31 ppm with the first page out in as little as 13 seconds.
- Affordable colour. It's also great for those occasional print jobs where colour is essential, from financial presentations to external marketing tools.
- Built to share network-ready, ultra quiet and very easy to use, it's ideal for sharing in any small-workgroup office environment.



## PAPER HANDLING

<b>Paper Input</b>	
Standard	250 sheets
Maximum	780 sheets
Optional	530-sheet drawer
<b>Paper Output</b>	
Standard	250 sheets
Maximum	250 sheets
<b>Media Types Supported</b>	
Refer to the Card Stock & Label Guide, Transparencies, Glossy paper, Labels, Plain Paper, Envelopes, Card Stock	
<b>Media Sizes Supported</b>	
JIS-B5, Letter, DL Envelope, COM 10 Envelope, A4, A5, B5 Envelope, Executive, C5 Envelope, Custom Size	

## CONNECTIVITY / NETWORK

<b>Connectivity (Standard)</b>	
USB Compatible with USB 2.0 Specification, Fast Ethernet	
<b>Network Printing Methods</b>	
HTTP, IPP (Internet Printing Protocol), Direct IP (Port 9100), LPR/LPD	
<b>Network Protocol Support</b>	
AppleTalk™, TCP/IP IPv4	
<b>Printer Languages</b>	
Host-Based Printing	
<b>Operating Systems Supported</b>	
Microsoft Windows	Server 2003 (Standard, Enterprise) x64 Edition, XP Professional x64, Server 2003 (Standard, Enterprise), 2000 (Professional/Server/Advanced Server), XP (Home, Professional)
Apple Macintosh	Mac OS 9.x, Mac OS X
Other	Please visit <a href="http://www.lexmark.com">www.lexmark.com</a> for a complete list of supported versions

**Print Technology**  
Colour Laser  
**Product Class**  
Small Workgroup  
**Print Speed**  
Up to 31 ppm in A4/Letter mono  
Up to 8 ppm in A4/Letter colour  
**Time to First Page**  
As fast as 13 seconds in mono  
As fast as 19 seconds in colour  
**Print Quality**  
Up to 1200 x 600 dpi  
**Processor**  
200 MHz  
**Memory**  
64 MB

## PHYSICAL SPECIFICATIONS

<b>Dimensions (W x D x H)</b>	
385 x 480 x 420 mm	
<b>Weight</b>	
29 kg	
<b>Acoustics/Noise Level</b>	
Standby mode: 41 dBA Printing mode: 50 dBA	
<b>Power and Electrical Specifications</b>	
Printing mode: 670 W Standby mode: 200 W Power saver mode: 35 W	
<b>Cost-saving and Environmental Features</b>	
Power saver mode, colour balance control	

Great mono performance with the added benefit of colour and network!

Pay for mono. Get much more!

## SUPPLIES

Ships with 1K\* pages toner cartridge  
1.5K\* pages cyan, magenta, yellow toner cartridges  
2.5K\* pages black cartridges  
3K\* pages cyan, magenta, yellow toner cartridges  
5K\* pages high yield toner cartridges  
Photodeveloper, Waste Toner Bottle and Fuser Unit.  
\* Average cartridge yield. Declared yield value in accordance with ISO/IEC 19752.

## SERVICES

<b>Guarantee</b>	
1 year on-site repair, response time next business day	
<b>Service Offering</b>	
Total 3 year guarantee pack return to base, response time next business day	
1 year renewal on-site repair, response time next business day	
<b>Optional Services</b>	
Installation service, deinstallation service, trade-in of old products, hardware and software training	

## Model Available

C500n: network



Printer configuration	88 - 99
Connectivity-applications solutions	100 - 113
Compatibility	114 - 125
Supplies	126 - 135
Services	136 - 147

PART NO.	DESCRIPTION
0022R0034	Lexmark C500n
<b>Paper Handling</b> 0022R0194	530-sheet drawer



# Lexmark C522n



- With real 1200 x 1200 dpi and Lexmark's new, exclusive colour technology, it delivers the highest-quality output in its price range.
- Reach ultra-fast print speeds of up to 19 ppm whether you're printing in colour or monochrome!
- Great value, the C522n is designed with a user-friendly operator panel and 100% front-access consumables to simplify use.



PAPER HANDLING	
<b>Paper Input</b>	
Standard	250 sheets + 1 (manual feed slot)
Maximum	750 sheets + 1 (manual feed slot)
Optional	500-sheet drawer
<b>Paper Output</b>	
Standard	250 sheets
<b>Media Types Supported</b>	Plain Paper, Envelopes, Card Stock, Transparencies, Paper Labels, Coated Paper, Glossy Paper
<b>Media Sizes Supported</b>	A4, A5, JIS B5, Letter, Legal, Statement, Executive, Folio, Universal (76.2 x 127 mm to 215 x 355 mm) and Envelopes (7 3/4, 9, 10, DL, C5, B5, other)

CONNECTIVITY / NETWORK	
<b>Connectivity (Standard)</b>	USB Compatible with USB 2.0 Specification, Fast Ethernet
<b>Connectivity (Optional)</b>	
External Print Servers	N4000e Fast Ethernet(1), N4050e 802.11g Wireless(1), MarkNet N7000e Fast Ethernet(1), MarkNet N7020e Gigabit Ethernet (4 ports)(1)
<b>Network Management Software</b>	MarkVision Professional
<b>Printer Languages</b>	PCL® 6 Emulation, PostScript® 3 Emulation, PPDS Migration Tool, PDF v1.5 emulation with backward compatibility
<b>Operating Systems Supported</b>	
Microsoft Windows	Windows 9x, Me, NT, 2000, XP, XP x64, Server 2003
Apple Macintosh	Mac OS 9.x, 10.2 or higher
Novell, Linux	Different versions supported (for a complete list, please visit <a href="http://www.lexmark.com">www.lexmark.com</a> )
<b>Special Features</b>	Colour balance control Colour and black & white printer controls Colour correction settings Coverage estimator Colour samples

**Print Technology**  
Colour Laser  
**Product Class**  
Small Workgroup  
**Print Speed**  
Up to 19 ppm in A4 mono/colour  
Up to 20 ppm in Letter mono/colour  
**Time to First Page**  
As fast as 13 seconds in mono and colour  
**Print Quality**  
Up to 1200 x 1200 dpi  
4800 CQ  
**Processor**  
312 MHz  
**Memory**  
128 MB expandable to 640 MB

PHYSICAL SPECIFICATIONS	
<b>Dimensions (W x D x H)</b>	484 x 440 x 408 mm
<b>Weight</b>	29 kg
<b>Acoustics/Noise Level</b>	Standby mode: 32 dBA Printing mode: 51 dBA
<b>Power and Electrical Specifications</b>	Printing mode: 350 W Standby mode: 105 W Power saver mode: 16 W
<b>Cost-saving and Environmental Features</b>	Energy Star compliant, power saver mode, colour saver mode, selectable print darkness levels

(1) Requires USB connection.

Why should only big businesses get all the colour?

**Model Available**  
C522n: network

**SUPPLIES**  
Ships with 1.5K\* pages return programme toner cartridges  
3K\* pages cyan, magenta, yellow return programme toner cartridges  
3K\* pages cyan, magenta, yellow regular cartridges also available  
4K\* pages black return programme toner cartridge  
4K\* pages black regular cartridge also available  
20K pages black photoconductor unit, 4 pack photoconductor (C,M,Y,K),  
30K images waste toner bottle  
\* At approximately 5% coverage.



SERVICES	
<b>Guarantee</b>	1 year on-site repair, response time next business day
<b>Service Offering</b>	Total 3 year guarantee pack on-site repair, response time next business day 1 year renewal guarantee on-site repair, response time next business day
<b>Optional Services</b>	Installation service, deinstallation service, trade-in of old products, hardware and software training

Printer configuration	88 - 99
Connectivity-applications solutions	100 - 113
Compatibility	114 - 125
Supplies	126 - 135
Services	136 - 147

PART NO.	DESCRIPTION	PART NO.	DESCRIPTION
0022H0062	Lexmark C522n	<b>Paper Handling</b> 0018B2100	Lexmark C522n, C524 500 sheets drawer
<b>Memory Options</b>		<b>Applications Solutions</b>	<small>For applications solutions please refer to chapter Connectivity (100-113)</small>
0013N1523	128 MB Memory		
0013N1524	256 MB Memory		
0013N1526	512 MB Memory		
<b>Flash Memory</b>			
001021208	32 MB Flash Card		
001021209	64 MB Flash Card		



# Lexmark C524n/dn/dtn



- Armed with a powerful 500MHz processor and 128MB of standard memory, the C524n makes light work of your complex print jobs.
- Achieve bigger savings and less intervention with the optional high-yield toner cartridges for both colour and mono.
- Benefit not only from vivid, real 1200 x 1200 dpi resolution, but also from a wide range of features to control colour costs.



## PAPER HANDLING

<b>Paper Input</b>	
Standard	250 sheets + 100 sheets (Multi-purpose feeder capacity)
Maximum	750 sheets + 100 sheets (Multi-purpose feeder capacity)
Optional	500-sheet drawer (Standard on C524dtn)
<b>Paper Output</b>	
Standard	250 sheets
<b>Media Types Supported</b>	Plain Paper, Envelopes, Card Stock, Transparencies, Paper Labels, Glossy Paper
<b>Media Sizes Supported</b>	A4, A5, JIS B5, Letter, Legal, Statement, Executive, Folio, Universal (76 x 215 mm to 215 x 355 mm) and Envelopes (7 3/4, 9, 10, DL, C5, B5, other)

## CONNECTIVITY / NETWORK

<b>Connectivity (Standard)</b>	USB Compatible with USB 2.0 Specification, Fast Ethernet, One Internal Card Slot
<b>Connectivity (Optional)</b>	
Internal Print Servers(2)	MarkNet N8000 Fast Ethernet, MarkNet N8020 Gigabit Ethernet, MarkNet N8030 Fibre Ethernet, MarkNet N8050 802.11g Wireless
External Print Servers	N4000e Fast Ethernet(1), N4050e 802.11g Wireless(1), MarkNet N7000e Fast Ethernet(1), MarkNet N7002e Fast Ethernet(3), MarkNet N7020e Gigabit Ethernet (4 ports)(1)
Other Attachment Options	Coax/Twinax Adapter for SCS, Parallel 1284-B Interface Card, RS-232C Serial Interface Card
<b>Network Management Software</b>	MarkVision Professional
<b>Printer Languages</b>	PCL® 6 Emulation, PostScript® 3 Emulation, PPDS Migration Tool, PDF v1.5 emulation with backward compatibility
<b>Operating Systems Supported</b>	
Microsoft Windows	Windows 9x, Me, NT, 2000, XP, XP x64, Server 2003
Apple Macintosh	Mac OS 9.x, 10.2 or higher
Novell, Linux	Different versions supported (for a complete list, please visit <a href="http://www.lexmark.com">www.lexmark.com</a> )
<b>Special Features</b>	Colour balance control Colour and black & white printer controls Colour correction settings Coverage estimator Colour samples

## PHYSICAL SPECIFICATIONS

<b>Dimensions (W x D x H)</b>	484 x 440 x 408 mm
<b>Weight</b>	n models: 26 kg dtn model: 30.5 kg
<b>Acoustics/Noise Level</b>	Standby mode: 32 dBA Printing mode: 51 dBA
<b>Power and Electrical Specifications</b>	Printing mode: 350 W Standby mode: 105 W Power saver mode: 18 W
<b>Cost-saving and Environmental Features</b>	Energy Star compliant, power saver mode, colour saver mode

## Print Technology

Colour Laser  
**Product Class**  
 Medium Workgroup  
**Print Speed**  
 Up to 19 ppm in A4 mono/colour  
 Up to 20 ppm in Letter mono/colour  
**Time to First Page**  
 As fast as 13 seconds in mono and colour  
**Print Quality**  
 Up to 1200 x 1200 dpi  
 4800 CQ  
**Processor**  
 500 MHz  
**Memory**  
 128 MB expandable to 640 MB

Powerful performance. Eye-catching results!

## Models Available

C524n: network  
 C524dn: duplex, network  
 C524dtn: duplex, additional drawer, network

## SUPPLIES

Ships with 1.5K\* pages return programme toner cartridges  
 5K\* pages cyan, magenta, yellow high-yield return programme toner cartridges  
 8K\* pages black high-yield return programme toner cartridge  
 3K\* pages cyan, magenta, yellow return programme toner cartridges  
 4K\* pages black return programme toner cartridge  
 Regular cartridges are also available  
 20K pages black photoconductor unit, 4 pack photoconductor (C,M,Y,K)  
 30K images waste toner container  
 \* At approximately 5% coverage.

## SERVICES

<b>Guarantee</b>	1 year on-site repair, response time next business day
<b>Service Offering</b>	Total 3 year guarantee pack on-site repair, response time next business day 1 year renewal guarantee on-site repair, response time next business day
<b>Optional Services</b>	Installation service, deinstallation service, trade-in of old products, hardware and software training



Printer configuration	88 - 99
Connectivity-applications solutions	100 - 113
Compatibility	114 - 125
Supplies	126 - 135
Services	136 - 147

PART NO.	DESCRIPTION	PART NO.	DESCRIPTION
0022B0062	Lexmark C524n	<b>Hard Disk</b>	
0022B0162	Lexmark C524dn	0012N1262	20 GB w/ adapter for C524n, dn, dtn
0022B0212	Lexmark C524dtn	<b>Paper Handling</b>	
<b>Memory Options</b>		0018B2100	Lexmark C522n, C524 500 sheets drawer
0013N1523	128 MB Memory	<b>Applications Solutions</b>	
0013N1524	256 MB Memory	<i>For applications solutions please refer to chapter Connectivity (100-113)</i>	
0013N1526	512 MB Memory		
<b>Flash Memory</b>			
001021208	32 MB Flash Card		
001021209	64 MB Flash Card		

(1) Requires USB connection. (2) Only one internal connection can be active at any given time. (3) Requires external parallel connection (The optional Parallel 1284-b Interface Card needs to be installed).





- Benefit from high-volume colour printing, pairing tireless performance with superior image quality.
- Handle an array of media formats and sizes with ease, plus benefit from quality-control features and a wide range of finishing options.
- Ensure your sensitive documents always stay in the right hands, with state-of-the-art data security features.



**Print Technology**  
Colour Laser

**Product Class**  
Large Workgroup A3

**Print Speed**  
Up to 36 ppm in A4/Letter mono  
Up to 32 ppm in A4/Letter colour

**Time to First Page**  
As fast as 9,5 seconds in mono  
As fast as 13,5 seconds in colour

**Print Quality**  
Up to 600 x 600 dpi  
2400 CQ

**Processor**  
1 GHz

**Memory**  
256 MB expandable to 768 MB (n/dn models)  
512 MB expandable to 1 GB (dtn model)

PAPER HANDLING	
<b>Paper Input</b> Standard	C920, C920n: 550 sheets + 100 sheets MPF C920dn: 550 sheets + 100 sheets MPF + duplex C920dtn: 2 x 550 sheets + 100 sheets MPF + duplex 5300 sheets
Maximum Optional	550-sheet drawer, 2 x 550-sheet drawer w/ printer stand, duplex unit, printer cabinet, banner media tray, 3,000-page high-capacity feeder
<b>Paper Output</b> Standard Maximum Optional	650 sheets 1650 sheets 1,100-sheet staple and punch finisher
<b>Media Types Supported</b>	Plain Paper, Card Stock, Labels, Glossy Paper and Transparency, Envelopes
<b>Media Sizes Supported</b>	A4, Letter, Legal, A3+, A5, Banner
<b>Media Weights Supported</b>	60 to 216 g/m <sup>2</sup> Card Stock weight: up to 216 g/m <sup>2</sup> Transparencies: 175 g/m <sup>2</sup>

CONNECTIVITY / NETWORK	
<b>Connectivity (Standard)</b> Standalone	Centronics IEEE 1284 Bidirectional Parallel, One Internal Card Slot, USB Compatible with USB 2.0 Specification, USB Direct interface on Operator Panel
Network	Centronics IEEE 1284 Bidirectional Parallel, One Internal Card Slot, USB Compatible with USB 2.0 Specification, USB Direct interface on Operator Panel and Fast Ethernet
<b>Connectivity (Optional)</b> Internal Print Servers(4)	MarkNet N8000 Fast Ethernet, MarkNet N8020 Gigabit Ethernet, MarkNet N8030 Fibre Ethernet, MarkNet N8050 802.11g Wireless
External Print Servers	N4000e Fast Ethernet(2), N4050e 802.11g Wireless(2), MarkNet N7000e Fast Ethernet(2), MarkNet N7002e Fast Ethernet(1), MarkNet N7020e Gigabit Ethernet (4 ports)(2)
Other Attachment Options	Coax/Twinax Adapter for SCS, Parallel 1284-B Interface Card, RS-232C Serial Interface Card
<b>Network Management Software</b>	MarkVision Professional
<b>Printer Languages</b>	PCL® 6 Emulation (with colour extension), PostScript® 3 Emulation, PPDS Migration Tool, PDF v1.5 emulation, ImageQuick™ (3) (JPEG, JPG, TIFF, BMP, GIF, PNG, PCX and DCX)
<b>Operating Systems Supported</b> Microsoft Windows Apple Macintosh Novell, Linux	Microsoft Windows 9x, ME, NT, 2000 XP, Server 2003 Mac OS 9.x, OSX Different versions supported (for a complete list, please visit <a href="http://www.lexmark.com">www.lexmark.com</a> )
<b>Special Features</b>	Colour Balance Control Colour Correction Settings Coverage Estimator Colour Samples

PHYSICAL SPECIFICATIONS	
<b>Dimensions (W x D x H)</b>	Std, n, dn models: 512 x 695 x 705 mm dtn model: 641 x 695 x 705 mm
<b>Weight</b>	std, n models: 80 kg dn model: 86 kg dtn model: 105 kg
<b>Acoustics/Noise Level</b>	Standby mode: 45 dBA Simplex printing mode: 53 dBA
<b>Power and Electrical Specifications</b>	Printing mode: 840 W Standby mode: 32 W Power saver mode: 18 W
<b>Cost-saving and Environmental Features</b>	Energy Star compliant, colour saver mode

(1) Requires external parallel connection. (2) Requires USB connection. (3) Network models only. (4) Only one internal connection can be active at any given time.

## Outstanding A3 colour made easy !

### SUPPLIES

Ships with 8K\* pages cyan, magenta, yellow and black toner cartridge.  
14K\* pages cyan, magenta, yellow high-yield toner cartridge.  
15K\* pages black high-yield toner cartridge.  
28K pages colour and black photoconductor Kits  
15K\* pages oil coating roller (ships with black toner cartridge)  
Staples, transparencies, glossy paper and banner paper  
*\* At approximately 5% coverage.*

### SERVICES

<b>Guarantee</b>	1 year on-site repair, response time next business day
<b>Service Offering</b>	Total 3 year guarantee pack on-site repair, response time next business day 1 year renewal guarantee on-site repair, response time next business day
<b>Optional Services</b>	Installation service, deinstallation service, trade-in of old products, hardware and software training

### Models Available

C920: standalone  
C920n: network  
C920dn: duplex, network  
C920dtn: duplex, 2 x 550-sheet additional drawer, network



Printer configuration	88 - 99
Connectivity-applications solutions	100 - 113
Compatibility	114 - 125
Supplies	126 - 135
Services	136 - 147

PART NO.	DESCRIPTION	PART NO.	DESCRIPTION
0013N1011	Lexmark C920	<b>Furniture</b>	
0013N1111	Lexmark C920n	0013N1786	C920 Printer Cabinet
0013N1211	Lexmark C920dn	0013N1787	C920 Printer Base
0013N1311	Lexmark C920dtn	<b>Applications Solutions</b>	
<b>Memory Options</b>		0013N1342	ImageQuick™** C920 Card for Prescribe
0013N1524	256 MB DRAM DIMM	<i>* In standard with this model.</i>	
0013N1526	512 MB DRAM DIMM	<i>For applications solutions please refer to chapter Connectivity (100-113)</i>	
<b>Flash Memory</b>			
001021208	32 MB Flash Card for C920		
001021209	64 MB Flash Card for C920		
<b>Hard Disk</b>			
0012N1262	20 GB w/ mounting kit (Formatted)		
<b>Paper Handling</b>			
0013N1778	C920 550-sheet Drawer		
0013N1360	C920 Banner Media Tray		
0013N1782	C920 2 x 550-sheet Drawer w/ Stand		
0013N1248	C920 High Cap Feeder UK/IREL		
0013N1785	C920 Staple Punch - 3 holes		
0013N1784	C920 Staple Punch - 4 holes		
0013N1783	C920 Duplex Unit		



# Lexmark Z640



- Easy setup, and Installation
- For Everyday Printing Needs



<b>Print Resolution</b>	4800 x 1200 dpi (Best mode)
Glossy Paper	2400 x 1200 dpi (Best mode)
Plain Paper	
<b>Ink Drop Size</b>	Black: 24 pL
	Colour: 7 pL
<b>Speed</b>	Black: up to 14 ppm
	Colour: up to 8 ppm
<b>Noise Level</b>	45 dBA operating

<b>Input / Output Tray</b>	Up to 100 sheets / Up to 25 sheets
<b>Paper Handling Technology</b>	Accu-Feed™
<b>Memory</b>	128 Kb RAM
<b>Interface</b>	USB 2.0 full speed

<b>Operating Systems Supported</b>	
Microsoft Windows	98, ME, 2000, XP
<b>Processor Speed (Mhz)</b>	Pentium II 233, Pentium II 300
<b>RAM (MB)</b>	128
<b>Hard Disk Space (MB)</b>	500
<b>Virtual Memory (MB)</b>	300 (with Microsoft Windows XP only)

**Print Technology**  
Thermal inkjet 4 colour: Cyan, Magenta, Yellow, Black

**Product Class**  
Home printing

**Print Speed**  
Black: up to 14 ppm (Quick mode)  
Colour: up to 8 ppm (Quick mode)

**Print Quality**  
Up to 4800 x 1200 (Best mode/Glossy paper)

<b>In the Box</b>	Lexmark Z640 Power supply and line cord 1 colour cartridge No. 27 Setup sheet Windows installation CD Service and guarantee information WEEE brochure
-------------------	---

## Easy Colour Printer

<b>Weight and Dimensions (W x D x H)</b>	Machine retracted: 404 x 216 x 135 mm Machine extended: 404 x 432 x 248 mm Machine weight: 1.77 kg Packaged weight: 2.54 kg Packaging dimensions: 499 x 170 x 249 mm
<b>Power Requirement</b>	12 W HV adapter (220-240 V AC, 50/60 Hz)

### SUPPLIES

<b>Black Cartridge</b>	No. 17: up to 205 pages* at 5% coverage
<b>Colour Cartridge</b>	No. 27: up to 140 pages* at 15% coverage

\* Approximate number of pages printable per cartridge in normal mode (600 x 600 dpi). Yield may vary based on factors such as machine model, media, print mode, print file type and print application.



Printer configuration	88 - 99
Connectivity-applications solutions	100 - 113
Compatibility	114 - 125
Supplies	126 - 135
Services	136 - 147

### SERVICES

<b>Guarantee</b>	1 year on-site replacement, response time 3 to 5 business days
------------------	--

	<b>DESCRIPTION</b>
0018K6553	Lexmark Z640

# Lexmark Z645



- Easy setup, and Installation
- For Everyday Printing Needs



<b>Print Resolution</b>	4800 x 1200 dpi (Best mode)
Glossy Paper	2400 x 1200 dpi (Best mode)
Plain Paper	2400 x 1200 dpi (Best mode)
<b>Ink Drop Size</b>	Black: 24 pL
	Colour: 7 pL
<b>Speed</b>	Black: up to 17 ppm
	Colour: up to 9 ppm
<b>Noise Level</b>	45 dBA operating

<b>Input / Output Tray</b>	Up to 100 sheets / Up to 25 sheets
<b>Paper Handling Technology</b>	Accu-Feed™
<b>Memory</b>	128 Kb RAM
<b>Interface</b>	USB 2.0 full speed

<b>Operating Systems Supported</b>	
Microsoft Windows	98, ME, 2000, XP
<b>Processor Speed (Mhz)</b>	Pentium II 233, Pentium II 300
<b>RAM (MB)</b>	128
<b>Hard Disk Space (MB)</b>	500
<b>Virtual Memory (MB)</b>	300 (with Microsoft Windows XP only)

**Print Technology**  
Thermal inkjet 4 colour: Cyan, Magenta, Yellow, Black

**Product Class**  
Home printing

**Print Speed**  
Black: up to 17 ppm (Quick mode)  
Colour: up to 9 ppm (Quick mode)

**Print Quality**  
Up to 4800 x 1200 (Best mode/Glossy paper)

<b>In the Box</b>	Lexmark Z645 Power supply and line cord 1 colour cartridge No. 27 1 black cartridge No. 17 Setup sheet Windows installation CD Service and guarantee information WEEE brochure
-------------------	---

## Everyday Colour Printer

<b>Weight and Dimensions (W x D x H)</b>	Machine retracted: 404 x 216 x 135 mm Machine extended: 404 x 432 x 248 mm Machine weight: 1.77 kg Packaged weight: 2.54 kg Packaging dimensions: 499 x 170 x 249 mm
<b>Power Requirement</b>	12 W HV adapter (220-240 V AC, 50/60 Hz) or Universal power supply 100-240 V AC, 50/60 Hz

### SUPPLIES

<b>Black Cartridge</b>	No. 17: up to 205 pages* at 5% coverage
<b>Colour Cartridge</b>	No. 27: up to 140 pages* at 15% coverage

\* Approximate number of pages printable per cartridge in normal mode (600 x 600 dpi). Yield may vary based on factors such as machine model, media, print mode, print file type and print application.



Printer configuration	88 - 99
Connectivity-applications solutions	100 - 113
Compatibility	114 - 125
Supplies	126 - 135
Services	136 - 147

### SERVICES

<b>Guarantee</b>	1 year on-site replacement, response time 3 to 5 business days
------------------	--

	<b>DESCRIPTION</b>
0018K6453	Lexmark Z645



# Lexmark Z735



- Print quickly and easily all kinds of documents including photos!
- Only one cartridge to use and replace in order to easily produce fantastic outputs
- Crisp text output and outstanding borderless photos up to 4800 dpi (from 10 x 15 cm up to A4)
- Borderless 10 x 15 cm photos as fast as 38 sec.
- Includes Lexmark Imaging Studio for easy photo management



<b>Print Resolution</b>	4800 x 1200 dpi (Best mode)
Glossy Paper	1200 x 1200 dpi (Best mode)
Plain Paper	
<b>Ink Drop Size</b>	Black: 10 pL Colour: 4 pL
<b>Speed</b>	Black: up to 15 ppm Colour: up to 15 ppm
<b>Noise Level</b>	50 dBA operating

<b>Input / Output Tray</b>	Up to 100 sheets / Up to 25 sheets
<b>Paper Handling Technology</b>	Accu-Feed™
<b>Memory</b>	128 Kb RAM
<b>Interface</b>	USB 2.0 full speed

<b>Operating Systems Supported</b>	98, ME, 2000, XP
Microsoft Windows	
<b>Processor Speed (Mhz)</b>	Pentium II 233, Pentium II 300
<b>RAM (MB)</b>	128
<b>Hard Disk Space (MB)</b>	500
<b>Virtual Memory (MB)</b>	300 (with Microsoft Windows XP only)

**Print Technology**  
Thermal inkjet 3 colour: Cyan, Magenta, Yellow

**Product Class**  
Home printing

**Print Speed**  
Black: up to 15 ppm (Quick mode)  
Colour: up to 15 ppm (Quick mode)

**Print Quality**  
Up to 4800 x 1200 (Best mode/Glossy paper)

<b>In the Box</b>	Lexmark Z735 Power supply and line cord Lexmark Imaging Studio Software 1 colour cartridge No. 1 Setup guide Windows installation CD Service and guarantee information WEEE brochure
-------------------	---

## Easy Colour Printer

Print all kinds of documents, including photos, quickly and easily!

<b>Weight and Dimensions (W x D x H)</b>	Machine retracted: 376 x 223 x 151 mm Machine extended: 376 x 448 x 261 mm Machine weight: 2,01 kg Packaged weight: 2,86 kg Packaging dimensions: 493 x 291 x 210 mm
<b>Power Requirement</b>	12 W HV adapter (220-240 V AC, 50/60 Hz)

## SUPPLIES

<b>Colour Cartridge</b>	No. 1: text - up to 165 pages* at 5% coverage No. 1: colour - up to 200 pages* at 15% coverage
-------------------------	---

\* Approximate number of pages printable per cartridge in normal mode (600 x 600 dpi). Yield may vary based on factors such as machine model, media, print mode, print file type and print application.



Printer configuration	88 - 99
Connectivity-applications solutions	100 - 113
Compatibility	114 - 125
Supplies	126 - 135
Services	136 - 147

## SERVICES

<b>Guarantee</b>	1 year on-site replacement, response time 3 to 5 business days
------------------	--

## DESCRIPTION

0020M0001	Lexmark Z735
-----------	--------------

# Lexmark P315



- 10 x 15 cm high resolution photo printing (up to 4800 dpi)
- Borderless quality prints as fast as 38 sec.
- Easy-to-use: PC-free prints only. No need for a PC!
- Large LCD screen to edit, preview and enhance photos directly from your printer (crop and rotate, sharpen, adjust brightness)
- Direct camera printing from all popular memory cards or with PictBridge



<b>Print Resolution</b>	Up to 4800 x 1200 dpi (Photo mode)
<b>Ink Drop Size</b>	Colour: 3 pLand 10pl
<b>Speed</b>	Colour/quick mode: up to 38 seconds Colour/normal mode: up to 70 seconds Colour/photo mode: up to 140 seconds
<b>Noise Level</b>	48,6 dBA (Normal mode)

<b>Input / Output Tray</b>	Up to 25 sheets / No output tray
<b>Paper Handling Technology</b>	Accu-Feed™
<b>Media Types Supported</b>	Photo Paper
<b>Media Sizes Supported</b>	A6 card (105 x 148 mm), Hagaki card (100 x 148 mm), 4" x 6" Photo or post card, L (3.5" x 5" or 89 x 127 mm)
<b>Borderless Printing Media Sizes</b>	4" x 6", A6 (4.13" x 5.83" or 105 x 148 mm), Hagaki Card (100 x 148 mm), L (3.5" x 5" or 89 x 127 mm)

<b>Memory</b>	32 MB SDRAM 16 MB Flash (on-board)
<b>PictBridge Certified USB Port</b>	Yes
<b>Digital Media Memory Card Compatibility</b>	CompactFlash I & II, SmartMedia Card, Sony Memory Stick, Memory Stick Pro, Secure Digital (SD) Card MultiMediaCard (MMC), Microdrive, 4 Built-in Card Readers, xD Card, Sony Memory Stick Duo (with adapter)
<b>Miscellaneous</b>	This printer does not work with a PC (Only prints directly from memory cards or digital cameras via PictBridge interface)

<b>In the Box</b>	Lexmark P315 Installation guide book Power supply and line cord Service and guarantee information 1 high resolution colour cartridge No. 33 Lexmark Premium Glossy 10 x 15 cm photo paper sample pack
-------------------	--

**Print Technology**  
Thermal inkjet 3 colour: cyan, magenta, yellow

**Product Class**  
Personal printing

**Print Speed**  
Up to 38 seconds (Colour/quick mode)

**Print Quality**  
Up to 4800 x 1200 (Photo mode)

Print your memories on any occasion.

Print 10 x 15 cm photos directly from your camera or memory card. The easy-to-use photo enhancement features include crop and rotate, sharpen and adjust brightness. Perform all these functions directly from the LCD screen of this compactly designed printer.

<b>Weight and Dimensions (W x D x H)</b>	Machine retracted: 274 x 211 x 142 mm Machine weight: 2.2 kg Package weight: 3.2 kg Packaging dimensions: 329 x 300 x 254 mm
<b>Power Requirement</b>	90-270 V AC input
<b>Environmental Features</b>	Energy Star compliant

## SUPPLIES

P315 photo printing pack  
P315 colour cartridge  
70 sheets 10 x 15 cm Lexmark Premium photo paper



Printer configuration	88 - 99
Connectivity-applications solutions	100 - 113
Compatibility	114 - 125
Supplies	126 - 135
Services	136 - 147

## SERVICES

<b>Guarantee</b>	1 year on-site replacement, response time 3 to 5 business days
------------------	--

0020C0044

## DESCRIPTION

Lexmark P315

# Lexmark P450



- Save and share memories with the built in CD burner
- Print without cables from your camera phone via Bluetooth with optional Bluetooth adapter
- Easily view and edit your photos on the 2.4 inch Colour LCD screen
- Direct camera printing with PictBridge or from memory cards
- High-quality borderless 10 x 15 cm photos to bring your memories to life
- On-printer enhancement - remove red eye, colour enhance, crop, rotate and enlarge. Artistic colour filters: sepia, antique grey, antique brown and black and white.



<b>Print Resolution</b>	Up to 4800 x 1200 dpi (Photo mode)
<b>Ink Drop Size</b>	Colour: 3 pLand 10pl
<b>Speed</b>	Colour/draft mode: up to 38 seconds Colour/normal mode: up to 85 seconds Colour/photo mode: up to 170 seconds
<b>Noise Level</b>	44 dBA (Normal mode)

<b>Input / Output Tray</b>	Up to 25 sheets / 10 sheets
<b>Paper Handling Technology</b>	Accu-Feed™
<b>Media Types Supported</b>	Photo Paper
<b>Media Sizes Supported</b>	A6 card (105 x 148 mm), Hagaki card (100 x 148 mm), 4" x 6" photo or post card, L (3.5" x 5" or 89 x 127 mm), 100 x 150 mm
<b>Borderless Printing Media Sizes</b>	4" x 6", A6 (4.13" x 5.83" or 105 x 148 mm), Hagaki card (100 x 148 mm), L (3.5" x 5" or 89 x 127 mm), 100 x 150 mm

<b>Memory</b>	32 MB SDRAM 16 MB Flash (on-board)
<b>PictBridge Certified USB Port</b>	Yes
<b>Digital Media Memory Card Compatibility</b>	CompactFlash I & II, SmartMedia Card, Sony Memory Stick, Memory Stick Pro, Secure Digital (SD) Card, MultiMediaCard (MMC), xD Card, Sony Memory Stick Duo (with adapter), Mini Secure Digital (Mini SD) Card with an adapter, Sony Memory Stick Duo Pro (with adapter)
<b>Miscellaneous</b>	Print photo from memory cards, USB key, CD, camera (via PictBridge). Save and Copy (Save photos from: Memory Cards to USB key or CD, USB key to CD, CD to USB key), Image Enhancement (Crop, Rotate and Enlarge, Remove Redeye, Colour enhance, Artistic colour filters (Sepia, Antique Grey, Antique Brown, Black and White), CDR/RW Integrated, 2.4 inch colour LCD, Bluetooth (with optional adapter), TV-out (with optional cord), this printer does not work with a PC.

<b>In the Box</b>	Lexmark P450 User's guide Setup sheet Power supply and line cord Guarantee booklet 1 high resolution colour cartridge No. 33 Lexmark Premium Glossy 10 x 15 cm photo paper sample pack WEEE information sheet WEEE disclaimer sheet
-------------------	---

**Print Technology**  
Thermal inkjet 3 colour: cyan, magenta, yellow

**Product Class**  
Personal printing

**Print Speed**  
Up to 38 seconds (Colour/quick mode)

**Print Quality**  
Up to 4800 x 1200 (Photo mode)

## 10 x 15 cm Photo Printer with CD Burner

<b>Weight and Dimensions (W x D x H)</b>	Machine retracted: 276 x 235 x 153 mm Machine extended: 276 x 309 x 225 mm Machine weight: 2.95 kg Packaged weight: 3.45 kg Packaging dimensions: 358 x 318 x 224 mm
<b>Power Requirement</b>	90-225 V AC input
<b>Environmental Features</b>	Energy Star compliant



<b>SUPPLIES</b>	SWE No. 33 (Standard yield colour) Also compatible with No. 35 (High yield colour) Also compatible with the 10 x 15 Printer Photo Pack (Photo paper + colour cartridge)
-----------------	---

<b>SERVICES</b>	
<b>Guarantee</b>	1 year on-site replacement, response time 3 to 5 business days

0023C0001	<b>DESCRIPTION</b> Lexmark P450
-----------	------------------------------------

Printer configuration	88 - 99
Connectivity-applications solutions	100 - 113
Compatibility	114 - 125
Supplies	126 - 135
Services	136 - 147

# Lexmark P915



- Print directly from a memory card, digital camera or PC
- Preview photos on large LCD screen
- Print 10 x 15 cm borderless photos in as fast as 38 seconds(1)
- Countdown timer tells you when printing will be done
- Quality borderless 6 colour photos up to 4800 x 1200 dpi
- One-touch photo enhancement with the exclusive Lexmark Imaging Studio Software
- Evercolor™ inks for up to 65 years archivability under glass display and up to 200 years in a photo album(2)



<b>Print Resolution</b>	Up to 4800 x 1200 dpi (Photo mode/Host based)
<b>Ink Drop Size</b>	Colour: 3 pLand 10pl
<b>Speed</b>	Colour/quick mode: up to 38 seconds Colour/normal mode: up to 70 seconds Colour/photo mode: up to 140 seconds
<b>Noise Level</b>	49 dBA (Normal mode)

<b>Max. Paper Weight</b>	560 g/m2
<b>Input &amp; Output Tray</b>	100 sheets / 25 sheets
<b>Paper Handling Technology</b>	Accu-Feed™
<b>Memory</b>	16 MB SDRAM 2 MB Flash
<b>Interface to PC</b>	USB
<b>Operating Systems Supported</b>	Microsoft Windows
	Windows 98, Windows ME, Windows 2000, Windows XP, Mac OS X 10.1.5, Mac 10.2.3 and up
<b>Processor Speed (MHz)</b>	Pentium II 233, Pentium II 300, 400
<b>RAM (MB)</b>	128
<b>Hard Disc Space (MB)</b>	800, 300

<b>PictBridge Certified USB Port</b>	Yes
<b>Digital Media Memory Card Compatibility</b>	CompactFlash I & II, SmartMedia Card, Sony Memory Stick, Memory Stick Pro, Secure Digital (SD) Card, MultiMediaCard (MMC), xD Card, Sony Memory Stick Duo (with adapter), Mini Secure Digital (Mini SD) Card with an adapter, Sony Memory Stick Duo Pro (with adapter)
<b>Miscellaneous</b>	Large LCD screen to preview your photos before printing, Borderless photo printing on all popular media sizes, PC Free photo printing, Supports all digital media types, Prints directly from digital cameras via PictBridge interface, Optical Paper Type Sensor, Optical Cartridge Alignment

<b>In the Box</b>	Lexmark P915 Quick setup guide Power supply and line cord Installation CDs (Windows and Mac), including Lexmark Photo Editor and user guide 1 high resolution colour cartridge No. 33 1 high resolution photo cartridge No. 31 Service and guarantee information
-------------------	--

<b>Weight and Dimensions (W x D x H)</b>	Machine retracted: 428 x 237 x 150 mm Machine extended: 428 x 450 x 300 mm Machine weight: 2.9 kg Packaged weight: 4 kg Packaging dimensions: 495 x 381 x 226 mm
--	--

**Print Technology**  
Thermal Inkjet 6 Colours: cyan, light cyan, magenta, light magenta, yellow, black

**Product Class**  
Personal printing

**Print Speed**  
Up to 38 seconds (Colour/quick mode)

**Print Quality**  
Up to 4800 x 1200 (Photo mode)

(1) In Quickprint Mode excluding PC processing time. (2) Glass display tests conducted by Wilhelm Imaging Research on Lexmark Premium Glossy Photo Paper. Based on easily noticeable fading with 450 lux/12 hours per day lighting (glass filter) and WIR v.3.0 Endpoint Criteria Set. Photo album archivability claim based on dark storage at 23°C / 50% Relative Humidity. For further information on the test procedure go to [www.wilhelm-research.com](http://www.wilhelm-research.com).

## Home photo printer

Speed and ease of use. Rapidly print incredibly realistic pictures directly from a memory card, digital camera or PC with the Lexmark P915 photo printer. Use the included photo software to touch up photos and produce fantastic results in a matter of seconds. It's perfect for all your home-printing needs.

### SUPPLIES

<b>Black Cartridge</b>	No. 32: up to 200 pages* at 5% coverage
<b>Colour Cartridge</b>	No. 33: up to 190 pages* at 15% coverage
<b>Also Compatible with</b>	No. 34: up to 475 pages* at 5% coverage No. 35: up to 450 pages* at 15% coverage No. 31 photo cartridge: up to 135 10 x 15 cm photos (Can not print with photo cartridge alone)

\* Approximate number of pages printable per cartridge in normal mode (600 x 600 dpi). Yield may vary based on factors such as machine model, media, print mode, print file type and print application.

Printers and supplies are designed for use in Europe, Middle East and Africa only.

### SERVICES

<b>Guarantee</b>	1 year on-site replacement, response time 3 to 5 business days
------------------	--

### EVERCOLOR™ INK

Lexmark's Evercolor™ technology is a unique 6-colour ink combination that dramatically improves photo prints. It mixes pigmented photo inks with dye-based inks to produce photo-quality, fade-resistance results that rival prints developed in a professional lab.

Full-strength, dye-based colour inks from the No. 33 colour cartridge ensure a wide range of bright, accurate colours, especially on photo paper.

Diluted pigmented photo inks from the No. 31 photo cartridge deliver enhanced water resistance and superior print quality, even on plain paper.

Evercolor™ ink technology combines the inks from the two cartridges to deliver exceptional photo quality and up to 65 years archivability under glass display and up to 200 years in a photo album.



Printer configuration	88 - 99
Connectivity-applications solutions	100 - 113
Compatibility	114 - 125
Supplies	126 - 135
Services	136 - 147

<b>DESCRIPTION</b>	Lexmark P915
--------------------	--------------

0080D2624

# Lexmark X1270



- Ideal for everyday printing, copying and scanning
- Easy setup, installation and use



PRINT	
<b>Resolution</b>	Glossy Paper 4800 x 1200 dpi (Best mode) Plain Paper 2400 x 1200 dpi (Best mode)
<b>Ink Drop Size</b>	Black: 24 pL Colour: 7 pL
<b>Speed</b>	Black: up to 17 ppm Colour: up to 9 ppm
<b>Noise Level</b>	44 dBA or less (600 dpi in normal quality)

SCAN	
<b>Resolution</b>	600 x 1200 dpi (Optical) Up to 9600 dpi (Enhanced)
<b>Colour Depth</b>	48 bits
<b>Scan Area</b>	216 x 297 mm
<b>Scan Technology</b>	CIS
<b>Noise Level</b>	38 dBA or less

COPY	
<b>Copy Select</b>	Up to 99 copies at one time (Selectable via computer)
<b>Reduce/Enlarge</b>	25% to 400% (Selectable via computer)
<b>Speed</b>	Black: up to 15 ppm (Quick mode) Colour: up to 6 ppm (Quick mode)
<b>Noise Level</b>	44 dBA or less

**Print Technology**  
Thermal inkjet 4 colour: cyan, magenta, yellow, black

**Product Class**  
Small and home offices

**Print Speed**  
Black: up to 17 ppm (Quick mode)  
Colour: up to 9 ppm (Quick mode)

**Print Quality**  
Up to 4800 x 1200 (Best mode/Glossy paper)

**Interface**  
USB 2.0 full speed compatible

**Memory**  
128 kb

<b>Input &amp; Output Tray</b>	Up to 100 sheets / 25 sheets
<b>Paper Handling Technology</b>	Accu-Feed™
<b>Interface to PC</b>	USB 2.0 full speed compatible
<b>Memory</b>	128 Kb RAM
<b>Operating Systems Supported</b>	Microsoft Windows 98, Me, 2000, XP
<b>Processor Speed (Mhz)</b>	Pentium II 233, Pentium II 300
<b>RAM (MB)</b>	128
<b>Hard Disk Space (MB)</b>	500 maximum
<b>Virtual Memory (MB)</b>	300 (with Microsoft Windows 2000 and XP only)

## Easy All-In-One Colour Printer

<b>In the Box</b>	Lexmark X1270 Setup sheet Lexmark imaging studio software Power supply and line cord Windows installation CD Service and guarantee information WEEE brochure Black cartridge No. 17 Colour cartridge No. 27
-------------------	---

<b>Weight and Dimensions (W x D x H)</b>	Machine retracted: 445 x 308 x 163 mm Machine extended: 445 x 488 x 276 mm Machine weight: 4.08 kg Packaged weight: 5.44 kg Packaging dimensions: 496 x 396 x 244 mm
<b>Power Requirements</b>	12 W HV adapter (220-240 V AC, 50/60 Hz) or Universal power supply 100-240 V AC, 50/60 Hz

### SUPPLIES

<b>Black Cartridge</b>	No. 17: up to 205 pages* at 5% coverage
<b>Colour Cartridge</b>	No. 27: up to 140 pages* at 15% coverage

\* Approximate number of pages printable per cartridge in normal mode (600 x 600 dpi). Yield may vary based on factors such as machine model, media, print mode, print file type and print application.

### SERVICES

<b>Guarantee</b>	1 year on-site replacement, response time 3 to 5 business days
------------------	--

	DESCRIPTION
0017M4003	Lexmark X1270



Printer configuration	88 - 99
Connectivity-applications solutions	100 - 113
Compatibility	114 - 125
Supplies	126 - 135
Services	136 - 147

# Lexmark X2470



- Fast printing of colour and text documents
- Direct photo printing with PictBridge compatible digital cameras
- Easy borderless 10 x 15 copy button



PRINT	
<b>Resolution</b>	
Glossy Paper	4800 x 1200 dpi (Best mode)
Plain Paper	1200 x 1200 dpi (Best mode)
<b>Ink Drop Size</b>	Black: 4/10 pL
<b>Speed</b>	Black: up to 17 ppm
	Colour: up to 17 ppm
<b>Noise Level</b>	50 dBA or less

SCAN	
<b>Resolution</b>	
	600 x 1200 dpi (Optical)
	Up to 19200 x 19200 dpi (Enhanced)
<b>Colour Depth</b>	36 bits
<b>Scan Area</b>	216 x 297 mm
<b>Scan Technology</b>	CIS
<b>Noise Level</b>	40 dBA or less

COPY	
<b>Copy Select</b>	Up to 99 copies at one time (Selectable via computer)
<b>Reduce/Enlarge</b>	25% to 400% (Selectable via computer)
<b>Speed</b>	Black: up to 12 ppm (Quick mode)
	Colour: up to 12 ppm (Quick mode)
<b>Noise Level</b>	50 dBA or less

**Print Technology**  
Thermal inkjet 3 colour: cyan, magenta, yellow

**Product Class**  
Home printing

**Print Speed**  
Black: up to 17 ppm (Quick mode)  
Colour: up to 17 ppm (Quick mode)

**Print Quality**  
Up to 4800 x 1200 (Best mode/Glossy paper)

**Interface**  
USB 2.0 full speed compatible

**Memory**  
8 MB SDRAM

<b>Input &amp; Output Tray</b>	Up to 100 sheets / 25 sheets
<b>Paper Handling Technology</b>	Accu-Feed™
<b>Interface to PC</b>	USB 2.0 full speed compatible
<b>Memory</b>	8 MB SDRAM
<b>Operating Systems Supported</b>	
Microsoft Windows	98, Me, 2000, XP
<b>Processor Speed (Mhz)</b>	Pentium II 233, Pentium II 300
<b>RAM (MB)</b>	128
<b>Hard Disk Space (MB)</b>	500 maximum
<b>Virtual Memory (MB)</b>	300 (with Microsoft Windows 2000 and XP only)

## Everyday Compact All-In-One

<b>In the Box</b>	Lexmark X2470 Setup sheet Lexmark Imaging Studio Software Power supply and line cord Windows installation CD Service and guarantee information WEEE brochure 1 starter cartridge
-------------------	---

<b>Weight and Dimensions (W x D x H)</b>	Machine retracted: 375 x 286 x 152,5 mm Machine extended: 375 x 460 x 276 mm Machine weight: 4,76 kg Packaged weight: 5,68 kg Packaging dimensions: 434 x 191 x 346 mm
<b>Power Requirements</b>	Universal power supply 100-240V AC, 50/60 Hz

SUPPLIES	
<b>Colour Cartridge</b>	No. 1: text, up to 165 pages* at 5% coverage No. 1: colour, up to 200 pages* at 15% coverage

\* Approximate number of pages printable per cartridge in normal mode (600 x 600 dpi). Yield may vary based on factors such as machine model, media, print mode, print file type and print application.

SERVICES	
<b>Guarantee</b>	1 year on-site replacement, response time 3 to 5 business days

DESCRIPTION	
0030A0003	Lexmark X2470



Printer configuration	88 - 99
Connectivity-applications solutions	100 - 113
Compatibility	114 - 125
Supplies	126 - 135
Services	136 - 147



# Lexmark X3470



- High quality borderless print
- Direct camera printing with PictBridge & memory cards
- Perfect for copying, printing and scanning your photos



PRINT	
<b>Resolution</b>	Glossy Paper 4800 x 1200 dpi (Best mode) Plain Paper 1200 x 1200 dpi (Best mode)
<b>Ink Drop Size</b>	Black: 4/10 pL
<b>Speed</b>	Black: up to 17 ppm Colour: up to 17 ppm
<b>Noise Level</b>	50 dBA or less

SCAN	
<b>Resolution</b>	600 x 1200 dpi (Optical) Up to 19200 x 19200 dpi (Enhanced)
<b>Colour Depth</b>	48 bits
<b>Scan Area</b>	216 x 297 mm
<b>Scan Technology</b>	CIS
<b>Noise Level</b>	40 dBA or less

COPY	
<b>Copy Select</b>	Up to 99 copies at one time (Selectable via computer)
<b>Reduce/Enlarge</b>	25% to 400% (Selectable via computer)
<b>Speed</b>	Black: up to 12 ppm (Quick mode) Colour: up to 12 ppm (Quick mode)
<b>Noise Level</b>	50 dBA or less

**Print Technology**  
Thermal inkjet 3 colour: cyan, magenta, yellow

**Product Class**  
Home printing

**Print Speed**  
Black: up to 17 ppm (Quick mode)  
Colour: up to 17 ppm (Quick mode)

**Print Quality**  
Up to 4800 x 1200 (Best mode/Glossy paper)

**Interface**  
USB 2.0 full speed compatible

**Memory**  
16 MB SDRAM

<b>Input &amp; Output Tray</b>	Up to 100 sheets / 25 sheets
<b>Paper Handling Technology</b>	Accu-Feed™
<b>Interface to PC</b>	USB 2.0 full speed compatible
<b>Memory</b>	16 MB SDRAM
<b>Card Reader Support</b>	Compact Flash Type I, Compact Flash Type II, Microdrive, Multi Media Card (MMC), Secure Digital (SD), Memory Stick (MS), Memory Stick Pro, Memory Stick Pro Duo, Memory Stick Duo, XD version 1.2 compliant, Mini SD
<b>Additional Features</b>	Card slot, PictBridge, text LCD
<b>Operating Systems Supported</b>	Microsoft Windows
<b>Processor Speed (Mhz)</b>	98, Me, 2000, XP, 64
<b>RAM (MB)</b>	Pentium II 233, Pentium II 300
<b>Hard Disk Space (MB)</b>	128
<b>Virtual Memory (MB)</b>	500 maximum
	300 (with Microsoft Windows 2000 and XP only)

## Value Photo All-in-One

<b>In the Box</b>	Lexmark X3470 Setup sheet Lexmark Imaging Studio Software Power supply and line cord Windows installation CD Service and guarantee information WEEE brochure 1 starter cartridge
-------------------	---

<b>Weight and Dimensions (W x D x H)</b>	Machine retracted: 375 x 286 x 152.5 mm Machine extended: 375 x 460 x 276 mm Machine weight: 4.76 kg Packaged weight: 5.68 kg Packaging dimensions: 434 x 191 x 346 mm
<b>Power Requirements</b>	Universal power supply 100-240V AC, 50/60 Hz

SUPPLIES	
<b>Colour Cartridge</b>	No. 1: text - up to 165 pages* at 5% coverage No. 1: colour - up to 200 pages* at 15% coverage

\* Approximate number of pages printable per cartridge in normal mode (600 x 600 dpi). Yield may vary based on factors such as machine model, media, print mode, print file type and print application.

SERVICES	
<b>Guarantee</b>	1 year on-site replacement, response time 3 to 5 business days

DESCRIPTION	
0022P0003	Lexmark X3470



Printer configuration	88 - 99
Connectivity-applications solutions	100 - 113
Compatibility	114 - 125
Supplies	126 - 135
Services	136 - 147

# Lexmark X7350



- High-quality black and colour prints up to 4800dpi
- Fast prints up to 25 ppm black and white and up to 19 ppm colour
- Exclusive Productivity Suite Software: easily organize, scan & edit documents
- Scan multi-page documents to e-mail with the 50 page Automatic Document Feeder
- Network capable for multiple users (Optional)
- 33.6 Kbps fax modem
- Direct camera printing with Pictbridge



## Print Technology

Thermal inkjet 4 colour: cyan, magenta, yellow, black (6 colour optional: + light cyan and light magenta)

## Product Class

Small and home offices

## Print Speed

Black: up to 25 ppm (Quick mode)

Colour: up to 19 ppm (Quick mode)

## Print Quality

Up to 4800 x 1200 (Best mode/Glossy paper)

## Interface

USB 2.0 full speed compatible

## Memory

32 MB

## Flash Memory

4MB (on-board memory)

## PRINT

<b>Resolution</b>	Glossy Paper 1200 x 1200 dpi (Best mode) Plain Paper 1200 x 1200 dpi (Best mode)
<b>Ink Drop Size</b>	Black: 24 pL Colour: 4/10 pL Photo: 5/9 pL
<b>Speed</b>	Black: up to 25 ppm Colour: up to 19 ppm
<b>Noise Level</b>	53 dBA (600 dpi in normal quality)

## SCAN

<b>Resolution</b>	1200 x 2400 dpi (Optical)
<b>Colour Depth</b>	48 bits internal True Colour 24 bits internal True Colour
<b>Scan Area</b>	218 x 255 mm
<b>Scan Technology</b>	CIS/CCD
<b>Noise Level</b>	44 dBA (300 dpi)

## COPY

<b>PC Free Copy</b>	Yes
<b>Copy Select</b>	Up to 99 copies at one time (Selectable via computer and operating panel)
<b>Reduce/Enlarge</b>	25% to 400% (Selectable via computer and operating panel)
<b>Speed</b>	Black: up to 24 ppm (Quick mode) Colour: up to 16 ppm (Quick mode)
<b>Noise Level</b>	44 dBA (300 dpi scan / 600 dpi print quality)

## FAX

<b>PC Free</b>	Standalone B&W faxing
<b>Send and Receive</b>	Legal, Letter & A4
<b>Modem Speed</b>	33.6 Kbps
<b>Auto Document Feeder</b>	50 pages ADF
<b>Additional Features</b>	Speaker, caller ID (Where available), fax on demand, automatic redial, busy redial

<b>Input &amp; Output Tray</b>	Up to 100 sheets / 50 sheets
<b>Network</b>	Full networking via external network adapter
<b>Interface to PC</b>	USB 2.0 full speed compatible
<b>Memory</b>	32 MB SDRAM, 4 MB Flash on-board memory
<b>Additional Features</b>	PictBridge, borderless photo printing, USB convenient port
<b>Operating Systems Supported</b>	Microsoft Windows
	98, Me, 2000, XP (32-bit/64-bit)

## Complete Business Solution All-in-One

### In the Box

Lexmark X7350  
Setup guide  
Lexmark Photo Edition Software  
Power supply and line cord  
Installation CDs  
Service and guarantee information  
Driver software for Windows  
WEEE brochure  
Black cartridge No. 32  
Colour cartridge No. 33  
Lexmark Productivity Suite Software  
Lexmark premium glossy A4 photo sample pack  
Lexmark all-in-one center software

### Weight and Dimensions (W x D x H)

Machine retracted: 448 x 379 x 254 mm  
Machine extended: 448 x 549 x 394 mm  
Machine weight: 7.1 kg  
Packaged weight: 9.52 kg  
Packaging dimensions: 328 x 538 x 472 mm

### Power Requirements

90-225 V AC input voltage

## SUPPLIES

<b>Black Cartridge</b>	No. 32: up to 200 pages at 5% coverage No. 34: up to 475 pages at 5% coverage
<b>Colour Cartridge</b>	No. 33: up to 190 pages* at 15% coverage No. 35: up to 450 pages* at 15% coverage
<b>Photo Cartridge</b>	No. 31: up to 135 photos** (10 x 15)

\* Estimated yield based on page coverage 5% cyan, 5% magenta, 5% yellow. Based on average results obtained during plain paper, normal mode printing. Actual page yield may vary. Contact Lexmark for more details.

\*\* Estimated yield based colour balanced 10 x 15 photo. Based on average results obtained during glossy paper, photo mode printing. Actual yield may vary. Contact Lexmark for more details.

## SERVICES

<b>Guarantee</b>	1 year on-site replacement, response time 3 to 5 business days
------------------	--

	DESCRIPTION
0020W0004	Lexmark X7350



Printer configuration	88 - 99
Connectivity-applications solutions	100 - 113
Compatibility	114 - 125
Supplies	126 - 135
Services	136 - 147

# Lexmark X8350



- Professional black and colour prints up to 4800 dpi & premium borderless photo prints
- Exclusive Productivity Suite Software: easily organise, scan & edit documents
- Scan multi-page documents to e-mail with up to 50 page ADF
- Network capable for multiple users (Optional)
- 33.6 Kbps fax modem
- PictBridge, card slots, photo enhancement software & large LCD screen: easy to view & print high quality photos



## Print Technology

Thermal inkjet 4 colour: cyan, magenta, yellow, black (6 colour optional: + light cyan and light magenta)

## Product Class

Small and home offices

## Print Speed

Black: up to 25 ppm (Quick mode)

Colour: up to 19 ppm (Quick mode)

## Print Quality

Up to 4800 x 1200 (Best mode/Glossy paper)

## Interface

USB 2.0 full speed compatible

## Memory

32 MB

## Flash Memory

4MB (on-board memory)

## PRINT

<b>Resolution</b>	4800 x 1200 dpi (Best mode)
Glossy Paper	1200 x 1200 dpi (Best mode)
Plain Paper	1200 x 1200 dpi (Best mode)
<b>Ink Drop Size</b>	Black: 24 pL Colour: 4/10 pL Photo: 5/9 pL
<b>Speed</b>	Black: up to 25 ppm Colour: up to 19 ppm
<b>Noise Level</b>	53 dBA (600 dpi in normal quality)

## SCAN

<b>Resolution</b>	1200 x 2400 dpi (Optical)
<b>Colour Depth</b>	48 bits internal True Colour 24 bits internal True Colour
<b>Scan Area</b>	218 x 255 mm
<b>Scan Technology</b>	CIS/CCD
<b>Noise Level</b>	44 dBA (300 dpi)

## COPY

<b>PC Free Copy</b>	Yes
<b>Copy Select</b>	Up to 99 copies at one time (selectable via computer and operating panel)
<b>Reduce/Enlarge</b>	25% to 400% selectable via computer and operating panel
<b>Speed</b>	Black: up to 24 ppm (Quick mode) Colour: up to 16 ppm (Quick mode)
<b>Noise Level</b>	44 dBA (300 dpi scan / 600 dpi print quality)

## FAX

<b>PC Free</b>	Standalone B&W faxing
<b>Send and Receive</b>	Legal, Letter & A4
<b>Modem Speed</b>	33.6 Kbps
<b>Auto Document Feeder</b>	50 pages ADF
<b>Additional Features</b>	Speaker, caller ID (Where available), fax on demand, automatic redial, busy redial

<b>Input &amp; Output Tray</b>	Up to 100 sheets / 50 sheets
<b>Screen</b>	2.4 inch colour LCD
<b>Network</b>	Full networking via external network adapter
<b>Memory Card Compatibility</b>	CompactFlash I & II, SmartMedia, Memory Stick (Pro & Duo w/ adapter), Secure Digital / Multimedia, xDPicture
<b>Interface to PC</b>	USB 2.0 full speed compatible
<b>Memory</b>	32 MB SDRAM, 4 MB Flash on-board memory
<b>Additional Features</b>	PictBridge, borderless photo printing, USB convenient port
<b>Operating Systems Supported</b>	Microsoft Windows 98, Me, 2000, XP (32-bit/64-bit)

## Premium Office All-In-One

### In the Box

Lexmark X8350  
Setup guide  
Lexmark Photo Edition Software  
Power supply and line cord  
Installation CDs  
Service and guarantee information  
Driver software for Windows  
WEEE brochure  
Black cartridge No. 32  
Colour cartridge No. 33  
Lexmark suite software  
Lexmark premium glossy A4 photo sample pack  
Lexmark all-in-one center software

### Weight and Dimensions (W x D x H)

Machine retracted: 448 x 379 x 254 mm  
Machine extended: 448 x 549 x 394 mm  
Machine weight: 7.1 kg  
Packaged weight: 9.52 kg  
Packaging dimensions: 328 x 538 x 472 mm

### Power Requirements

90-225 V AC input voltage

## SUPPLIES

<b>Black Cartridge</b>	No. 32: up to 200 pages at 5% coverage No. 34: up to 475 pages at 5% coverage
<b>Colour Cartridge</b>	No. 33: up to 190 pages* at 15% coverage No. 35: up to 450 pages* at 15% coverage
<b>Photo Cartridge</b>	No. 31: up to 135 photos** (10 x 15)

\* Estimated yield based on page coverage 5% cyan, 5% magenta, 5% yellow. Based on average results obtained during plain paper, normal mode printing. Actual page yield may vary. Contact Lexmark for more details.

\*\* Estimated yield based colour balanced 10 x 15 photo. Based on average results obtained during glossy paper, photo mode printing. Actual yield may vary. Contact Lexmark for more details.

## SERVICES

<b>Guarantee</b>	1 year on-site replacement, response time 3 to 5 business days
------------------	--



Printer configuration	88 - 99
Connectivity-applications solutions	100 - 113
Compatibility	114 - 125
Supplies	126 - 135
Services	136 - 147

## DESCRIPTION

0021M0004	Lexmark X8350
-----------	---------------

# Lexmark F4270



- True 5-in-one product: fax / phone / printer / copier / scanner
- Up to 4800 x 1200 dpi for great print quality and laser-like text
- Up to 19 pages per minute in black and 10 in colour
- Fast faxing with 33.6 Kbps modem
- Convenient, built-in handset phone



PRINT	
<b>Resolution</b>	Glossy Paper 4800 x 1200 dpi (Best mode) Plain Paper 2400 x 1200 dpi (Best mode)
<b>Ink Drop Size</b>	Black: 28 pL Colour: 7 pL Photo: 5/9 pL
<b>Speed</b>	Black: up to 19 ppm Colour: up to 10 ppm
<b>Noise Level</b>	45 dBA or less (600 dpi/normal quality)

SCAN	
<b>Resolution</b>	1200 x 2400 dpi (Optical)
<b>Colour Depth</b>	48 bits internal True Colour 24 bits internal True Colour
<b>Scan Area</b>	216 x 355 mm
<b>Scan Technology</b>	Sheet-fed CIS scanner
<b>Additional Features</b>	Twain driver includes preview and online options for resolution, scan, crop, etc.
<b>Noise Level</b>	45 dBA or less (300 dpi)

COPY	
<b>PC Free Copy</b>	Yes
<b>Copy Select</b>	Up to 99 copies at one time (Selectable via Op-panel and PC Op-panel)
<b>Reduce/Enlarge</b>	25% to 400% (Selectable via Op-panel and PC Op-panel)
<b>Speed</b>	Black: up to 18 ppm Colour: up to 6.5 ppm
<b>Noise Level</b>	45 dBA or less (300 dpi scan/600 dpi print quality)

## Print Technology

Thermal inkjet 4 colour: cyan, magenta, yellow, black

## Product Class

Small and home offices

## Print Speed

Black: up to 19 ppm  
Colour: up to 10 ppm

## Print Quality

Up to 4800 x 1200 (Best mode/Glossy paper)

## Interface

USB 2.0 full speed compatible

## Memory

16 MB

FAX	
<b>PC Free</b>	Standalone mono and colour faxing
<b>Send and Receive</b>	Legal, Letter & A4
<b>Modem Speed</b>	33.6 Kbps
<b>Auto Document Feeder</b>	30 pages ADF
<b>Additional Features</b>	79 speed dial numbers, 20 groups Automatic redial, busy redial Confirmation, error and activity reports 160 page memory

<b>Max. Paper Weight</b>	500 g/m2 ASF/ 500 g/m2 ADF
<b>Input &amp; Output Tray</b>	Up to 100 sheets / 50 sheets
<b>Paper Handling Technology</b>	Accu-Feed™
<b>Auto Document Feeder</b>	Up to 30 sheets
<b>Memory</b>	RAM 16 MB
<b>Interface to PC</b>	USB 2.0 full speed compatible
<b>Operating Systems Supported</b>	Microsoft Windows 98, Me, 2000, XP

## Personal communication and productivity centre

The Lexmark F4270 Multifunction 5-In-1 combines traditional phone and fax with printing, copying and scanning capabilities.

In the Box	
Lexmark F4270	
Power supply and line cord	
High-resolution black cartridge No. 71	
High-resolution colour cartridge No. 79	
Operator panel	
Phone cord	
Set-up sheet and user's guide	
Installation CD including printer drivers: Twain Driver, Lexmark Photo Editor, OCR software, fax software, user's guide	
Service and guarantee information	

<b>Weight and Dimensions (W x D x H)</b>	Machine retracted: 518 x 298 x 186 mm Machine extended: 518 x 621 x 288 mm Machine weight: 4.13 kg Packaged weight: 5.4 kg Packaging dimensions: 580 x 370 x 250 mm
<b>Power Requirements</b>	220-225 V input voltage



Printer configuration	88 - 99
Connectivity-applications solutions	100 - 113
Compatibility	114 - 125
Supplies	126 - 135
Services	136 - 147

## SUPPLIES

<b>Black Cartridge</b>	No. 71: up to 225 pages* at 5% coverage No. 70: up to 600 pages* at 5% coverage No. 75: up to 1100 pages* at 5% coverage
<b>Colour Cartridge</b>	No. 19: up to 260 pages* at 15% coverage No. 20: up to 450 pages* at 15% coverage No. 25: up to 625 pages* at 15% coverage

\* Approximate number of pages printable per cartridge in normal mode (600 x 600 dpi). Yield may vary based on factors such as machine model, media, print mode, print file type and print application.

## SERVICES

<b>Guarantee</b>	1 year on-site replacement, response time 3 to 5 business days
------------------	--

DESCRIPTION	
0021C2002	Lexmark F4270

# Lexmark X340



- More productivity. Use the 50-page Automatic Document Feeder to fax, scan and copy documents with ease – and zip through print runs as fast as 25 ppm!
- More simplicity. Send faxes in just seconds thanks to the multiple speed-dial shortcuts, and simplify maintenance tasks with the intuitive 2-line backlit display.
- More scanning capabilities. Scan colour documents directly to various PC applications and file types, including Word, PowerPoint, PDF and even editable text formats.



## PAPER HANDLING

<b>Paper Input</b>	
Standard	250 sheets + 1 multipurpose feeder
Maximum	800 sheets
Optional	550-sheet drawer
<b>Paper Output</b>	
Standard	150 sheets
Maximum	150 sheets
<b>Media Types Supported</b>	
Card Stock, Envelopes, Transparencies, Refer to the Card Stock & Label Guide, Plain Paper, Paper Labels	
<b>Media Sizes Supported</b>	
10 Envelope, 9 Envelope, A5, C5 Envelope, Statement, Letter, Legal, JIS-B5, Folio, Executive, DL Envelope, B5 Envelope, A4, 7 3/4 Envelope	
<b>Media Weights Supported</b>	

## CONNECTIVITY / NETWORK

<b>Connectivity (standard)</b>	
Connectivity (optional)	USB 2.0
<b>External Print Servers</b>	
N4000e Fast Ethernet(1), N4050e 802.11g Wireless(1), MarkNet N7000e Fast Ethernet(1), MarkNet N7020e Gigabit Ethernet (4 ports)(1)	
<b>Printer Languages</b>	
PCL® 6 Emulation	
<b>Operating Systems Supported</b>	
Microsoft Windows 2000, XP, Server 2003, XP Professional x64	
Other Please visit <a href="http://www.lexmark.com">www.lexmark.com</a> for a complete list of supported versions	

## DIGITAL COPYING

<b>Copy Speed</b>	Up to 25 ppm
<b>Copy Select</b>	Up to 99 per cycle
<b>Content Selection</b>	Text, mixed, photo
<b>Reduce/Enlarge</b>	25% to 400%
<b>Multi-up Copying</b>	2-up, 4-up, portrait or landscape
<b>Additional Features</b>	Darkness adjustment, book copying, electronic collation, intuitive backlit display

## FAX CAPABILITIES

<b>Modem Speed</b>	33.6 Kbps
<b>Receive Fax</b>	Yes
<b>Receive to Memory</b>	Yes
<b>Send Hard Copy Fax</b>	Flatbed or ADF
<b>Additional Features</b>	Memory send, selectable quality modes (Text standard, text fine, mixed, photo), tone/pulse, speed dials (Max. 99), last number redial, auto redial, phone book, broadcasting fax (Up to 209 locations)

**Print Technology**  
Monochrome Laser  
**Product Class**  
Personal Printing  
**Functions**  
Printing, copying, faxing, scanning  
**Print Speed**  
Up to 25 ppm in A4  
Up to 27 ppm in Letter  
**Time to First Page**  
As fast as 10 seconds  
**Print Quality**  
600 x 600 dpi  
**Processor**  
150 MHz  
**Memory**  
64 MB

Low-cost, full functionality – right on your desktop!  
Don't get up! Now you can do it all from your desk.

## Model Available

X340: standalone

## SCANNER

<b>Scanner Type</b>	Simplex colour/mono flatbed (ADF single pass)
<b>Optical Resolution</b>	600 x 600 dpi (mono/colour)
<b>Colour Depth</b>	24 bits
<b>Document Feeding Mode</b>	Flatbed or ADF (50 sheets)
<b>Original Document Size</b>	ADF minimum: 127 x 145 mm ADF maximum: 216 x 355 mm Flatbed maximum: 216 x 355 mm
<b>Scanning Capabilities</b>	Scan to workstation using the QLink utility and Presto Manager (USB local attachment), Local Twain
<b>File Format</b>	JPEG, multipage TIFF, PDF

## PHYSICAL SPECIFICATIONS

<b>Dimensions (W x D x H)</b>	521 x 530 x 394 mm
<b>Weight</b>	16.33 kg
<b>Acoustics/Noise Level</b>	Standby mode: 20 dBA Printing mode: 51 dBA
<b>Power and Electrical Specifications</b>	220-240 V AC (50-60 Hz)
<b>Cost-saving and Environmental Features</b>	High-yield toner cartridges available, power saver mode, Energy Star compliant, Taiwan Green Mark

## SUPPLIES

Ships with 1,5K\* pages return programme toner cartridge  
2,5K\* pages high-yield return programme toner cartridge (aftermarket).  
\* Average cartridge yield. Declared yield value in accordance with ISO/IEC 19752.  
Printers and supplies are designed for use in Europe, Middle East and Africa only.

## SERVICES

<b>Guarantee</b>	1 year on-site repair, response time next business day
<b>Service Offering</b>	Total 3 year guarantee pack on-site repair, response time next business day 1 year renewal on-site repair, response time next business day
<b>Optional Services</b>	Installation service, deinstallation service, trade-in of old products, hardware and software training



Printer configuration 88 - 99  
Connectivity-applications solutions 100 - 113  
Compatibility 114 - 125  
Supplies 126 - 135  
Services 136 - 147

	DESCRIPTION
0020D0151	Lexmark X340
<b>Paper Handling</b>	
0028S0803	550-sheet drawer
001021294	2 m USB cable



(1) Requires USB connection.

# Lexmark X342n



- Plug and print ... and share. Network-ready, with optional input capacity of up to 800 sheets, the X342n is a reliable team player for your small-workgroup environment.
- A boost in productivity. Advanced workflow functions include high-speed faxing, colour scanning in multiple formats, and fast laser printing at up to 25 ppm.
- Easier on your budget. Besides its exceptionally low acquisition price, it also offers high-yield 6K cartridges to help drive down your total cost of printing.



PAPER HANDLING	
<b>Paper Input</b>	
Standard	250 sheets + 1 multipurpose feeder
Maximum	800 sheets
Optional	550-sheet drawer
<b>Paper Output</b>	
Standard	150 sheets
Maximum	150 sheets
<b>Media Types Supported</b>	Card Stock, Envelopes, Transparencies, Refer to the Card Stock & Label Guide, Plain Paper, Paper Labels
<b>Media Sizes Supported</b>	10 Envelope, 9 Envelope, A5, C5 Envelope, Statement, Letter, Legal, JIS-B5, Folio, Executive, DL Envelope, B5 Envelope, A4, 7 3/4 Envelope
<b>Media Weights Supported</b>	

CONNECTIVITY / NETWORK	
<b>Connectivity (standard)</b>	USB 2.0, Fast Ethernet
<b>Connectivity (optional)</b>	
External Print Servers	N4000e Fast Ethernet(1), N4050e 802.11g Wireless(1), MarkNet N7000e Fast Ethernet(1), MarkNet N7020e Gigabit Ethernet (4 ports)(1)
<b>Printer Languages</b>	PCL® 6 Emulation
<b>Operating Systems Supported</b>	
Microsoft Windows	2000, XP, Server 2003, XP Professional x64
Other	Please visit <a href="http://www.lexmark.com">www.lexmark.com</a> for a complete list of supported versions

DIGITAL COPYING	
<b>Copy Speed</b>	Up to 25 ppm
<b>Copy Select</b>	Up to 99 per cycle
<b>Content Selection</b>	Text, mixed, photo
<b>Reduce/Enlarge</b>	25% to 400%
<b>Multi-up Copying</b>	2-up, 4-up, portrait or landscape
<b>Additional Features</b>	Darkness adjustment, book copying, electronic collation, intuitive backlit display

FAX CAPABILITIES	
<b>Modem Speed</b>	33.6 Kbps
<b>Receive Fax</b>	Yes
<b>Receive to Memory</b>	Yes
<b>Send Hard Copy Fax</b>	Flatbed or ADF
<b>Additional Features</b>	Memory send, selectable quality modes (Text standard, text fine, mixed, photo), tone/pulse, speed dials (Max. 99), last number redial, auto redial, phone book, broadcasting fax (Up to 209 locations)

**Print Technology**  
Monochrome Laser  
**Product Class**  
Small workgroup  
**Functions**  
Printing, copying, faxing, scanning  
**Print Speed**  
Up to 25 ppm in A4  
Up to 27 ppm in Letter  
**Time to First Page**  
As fast as 10 seconds  
**Print Quality**  
600 x 600 dpi  
**Processor**  
150 MHz  
**Memory**  
64 MB

(1) Requires USB connection.

Fast, affordable multifunction for small workgroups!  
Full functionality you'll enjoy sharing!

**Model Available**  
X342n: network

SCANNER	
<b>Scanner Type</b>	Simplex colour/mono flatbed (ADF single pass)
<b>Optical Resolution</b>	600 x 600 dpi (mono/colour)
<b>Colour Depth</b>	24 bits
<b>Document Feeding Mode</b>	Flatbed or ADF (50 sheets)
<b>Original Document Size</b>	ADF minimum: 127 x 145 mm ADF maximum: 216 x 355 mm Flatbed maximum: 216 x 355 mm
<b>Scanning Capabilities</b>	Scan to workstation using the QLink utility and Presto Manager (USB local attachment), Local Twain and Network Twain, Web applet, Networking applet
<b>File Format</b>	JPEG, multipage TIFF, PDF

PHYSICAL SPECIFICATIONS	
<b>Dimensions (W x D x H)</b>	521 x 530 x 394 mm
<b>Weight</b>	16.33 kg
<b>Acoustics/Noise Level</b>	Standby mode: 20 dBA Printing mode: 51 dBA
<b>Power and Electrical Specifications</b>	220-240 V AC (50-60 Hz)
<b>Cost-saving and Environmental Features</b>	High-yield toner cartridges available, power saver mode, Energy Star compliant, Taiwan Green Mark, WEEE, RoHS

SUPPLIES	
	Ships with 2,5K* pages return programme toner cartridge
	2,5K* pages high-yield return programme toner cartridge (aftermarket)
	6K* pages high-yield return programme toner cartridge (aftermarket)
	<small>* Average cartridge yield. Declared yield value in accordance with ISO/IEC 19752.</small>
	Printers and supplies are designed for use in Europe, Middle East and Africa only.

SERVICES	
<b>Guarantee</b>	1 year on-site repair, response time next business day
<b>Service Offering</b>	Total 3 year guarantee pack on-site repair, response time next business day 1 year renewal on-site repair, response time next business day
<b>Optional Services</b>	Installation service, deinstallation service, trade-in of old products, hardware and software training

	DESCRIPTION
0020D0152	Lexmark X342n
<b>Paper Handling</b>	
0028S0803	550-sheet drawer
001021294	2 m USB cable



Printer configuration	88 - 99
Connectivity-applications solutions	100 - 113
Compatibility	114 - 125
Supplies	126 - 135
Services	136 - 147





# Lexmark X642e



- Business-class features. Enhance your workflow with standard fax, scan-to-email, USB direct printing, email address look-up, and much more.
- Touch-screen simplicity. The large, intuitive touch-screen interface allows end-users to carry out printing and maintenance tasks quickly and easily.
- Lightning-fast performance. Sprint through print runs at up to 43 ppm, and use the 50-page Automatic Document Feeder to scan and copy with ease.



## Print Technology

Monochrome Laser  
**Product Class**  
 Small to medium workgroup  
**Functions**  
 Printing, copying, faxing, scanning  
**Print Speed**  
 Up to 43 ppm in A4  
 Up to 45 ppm in Letter  
**Time to First Page**  
 As fast as 8.5 seconds  
**Print Quality**  
 1200 Image Quality - 1200 x 1200 dpi  
 2400 Image Quality - 600 x 600 dpi  
**Processor**  
 514 MHz  
**Memory**  
 128 MB expandable to 640 MB

## PAPER HANDLING

<b>Paper Input</b>	
Standard	500 sheets + 100 multipurpose feeder
Maximum	3100 sheets (1)
Optional	250-sheet drawer, 500-sheet drawer, 2000-sheet drawer
<b>Paper Output</b>	
Standard	500 sheets
Maximum	500 sheets
<b>Duplex Printing</b>	Optional
<b>Media Types Supported</b>	Card stock, Refer to the Card Stock & Label Guide, Vinyl Labels, Transparencies, Polyester Labels, Plain Paper, Paper Labels, Integrated Labels, Envelopes, Dual Web Labels
<b>Media Sizes Supported</b>	10 Envelope, 7 3/4 Envelope, A4, C5 Envelope, B5 Envelope, A5, 9 Envelope, DL Envelope, Universal, Statement, Letter, Legal, JIS-B5, Folio, Executive
<b>Media Weights Supported</b>	

## CONNECTIVITY / NETWORK

<b>Connectivity (standard)</b>	Fast Ethernet, USB compatible with USB 2.0 specification, One Internal Card Slot, USB Direct interface on Operator Panel
<b>Connectivity (optional)</b>	
Internal Print Servers <sup>(1)</sup>	MarkNet N8000 Fast Ethernet, MarkNet N8020 Gigabit Ethernet, MarkNet N8030 Fibre Ethernet, MarkNet N8050 802.11g Wireless, N4000e Fast Ethernet(2), N4050e 802.11g Wireless(2), MarkNet N7000e Fast Ethernet(2), MarkNet N7002e Fast Ethernet(3), MarkNet N7020e Gigabit Ethernet (4 ports)(2)
External Print Servers	Parallel 1284-B Interface Card, RS-232C Serial Interface Card
Other Attachment Options	
<b>Management Software</b>	MarkVision Professional
<b>Printer Languages</b>	PCL® 6 Emulation, PostScript® 3 Emulation, PPDS Migration Tool, PDF v1.5 emulation
<b>Operating Systems Supported</b>	
Microsoft Windows	98, Me, NT, 2000, XP, Server 2003, XP Professional x64
Apple Macintosh	Mac OS 9.x, Mac OS X
Other	Please visit <a href="http://www.lexmark.com">www.lexmark.com</a> for a complete list of supported versions

## DIGITAL COPYING

<b>Copy Speed</b>	Up to 43 ppm
<b>Copy Select</b>	Up to 999 per cycle
<b>Content Selection</b>	Text, mixed, photo
<b>Reduce/Enlarge</b>	25% to 400%
<b>Multi-up Copying</b>	2-up, 4-up, portrait or landscape
<b>Additional Features</b>	Book copying, job building, account tracking, copy collation, job interrupt, job cancel, watermarks

## FAX CAPABILITIES

<b>Modem Speed</b>	33.6 Kbps
<b>Receive Fax</b>	Yes
<b>Send Hard Copy Fax</b>	Flatbed or ADF
<b>Additional Features</b>	Memory send, group fax, speed dials, shortcut keys (Greater than 500), selectable quality modes (Standard, fine, super fine, extra fine), book faxing, retry, transmission and receive log, automatic and customizable cover sheet, broadcasting fax (Up to 46 location), fax redirect e-mail, LDAP lookup

(1) The maximum number of input options is dependent upon whether the X642e MFP is used on a desktop/tabletop or with Lexmark furniture stands/base and if the configuration meets UL Safety specifications (Visit [www.lexmark.com/multifunctionprinters](http://www.lexmark.com/multifunctionprinters) for more information). (2) Requires USB connection. (3) Requires external parallel connection (The optional Parallel 1284-b Interface Card needs to be installed). (4) Only one internal connection can be active at any given time.

An incredible value in multifunction!  
 Big advantages without a big price!

## SCANNER

<b>Scanner Type</b>	Simplex colour/mono flatbed (ADF single pass)
<b>Optical Resolution</b>	600 x 600 dpi (mono), 300 x 300 dpi (colour)
<b>Document Feeding Mode</b>	Flatbed or ADF (50 sheets)
<b>Original Document Thickness</b>	
<b>Original Document Size</b>	ADF minimum: 114 x 139 mm ADF maximum: 216 x 355 mm Flatbed maximum: 216 x 355 mm
<b>Scanning Capabilities</b>	Scan to FTP server, scan to folder, scan to workstation, USB direct scan interface, network twain, LDAP integration, custom scan profiles, shortcut keys (Greater than 500)
<b>File Format</b>	JPEG, multipage TIFF, PDF

## PHYSICAL SPECIFICATIONS

<b>Dimensions (W x D x H)</b>	710 x 560 x 645 mm
<b>Weight</b>	36.3 kg
<b>Acoustics/Noise Level</b>	Standby mode: 30 dBA Printing mode: 56 dBA
<b>Power and Electrical Specifications</b>	220-240 V AC (50Hz)
<b>Cost-saving and Environmental Features</b>	High-yield toner cartridges available, power saver mode, selectable print darkness levels, print and hold (Verify print), multi-up printing, Energy Star compliant, Taiwan Green Mark, WEEE, RoHS

## SUPPLIES

Ships with 10K\* pages return programme toner cartridge  
 21K\* pages high-yield return programme toner cartridge (aftermarket).  
 10K\* pages return programme toner cartridge (aftermarket).  
 Regular cartridge is also available  
*\* Average cartridge yield. Declared yield value in accordance with ISO/IEC 19752.  
 Printers and supplies are designed for use in Europe, Middle East and Africa only.*

## SERVICES

<b>Guarantee</b>	1 year on-site repair, response time next business day
<b>Service Offering</b>	Total 3 year guarantee pack on-site repair, response time next business day 1 year renewal on-site repair, response time next business day
<b>Optional Services</b>	Installation service, deinstallation service, trade-in of old products, hardware and software training

## Model Available

X642e: standalone



Printer configuration	88 - 99
Connectivity-applications solutions	100 - 113
Compatibility	114 - 125
Supplies	126 - 135
Services	136 - 147

	DESCRIPTION		DESCRIPTION
0022G0609	Lexmark X642e	<b>Furniture</b>	
<b>Memory Options</b>		0016C0369	Printer stand w/ cab.
0013N1523	128 MB SDRAM	0016C0379	Printer stand low
0013N1524	256 MB SDRAM	0016C0389	Printer stand w/o cab.
0013N1526	512 MB SDRAM	0016C0399	Scanner stand w/ cab.
<b>Flash Memory</b>		0022G0551	10" cab. printer/MFP*
001021208	32 MB Flash Memory	0022G0544	Stability enhanced caster base
001021209	64 MB Flash Memory		
<b>Paper Handling</b>			
0020G0889	250-sheet drawer		
0020G0890	500-sheet drawer		
0020G0893	2000-sheet drawer (A4)		
0020G0892	2000-sheet drawer (Letter)		
0020G0888	500-sheet duplex unit		
0020G0891	Envelope feeder		

\* For safety reason a Stability-Enhanced Caster Base is required

## Applications Solutions

For applications solutions please refer to chapter Connectivity (100-113)



# Lexmark X644e



- Big screen, big choices. With an extremely large, fully customisable LCD touch-screen, your end-users are just a touch away from all the functions they need to stay productive.
- Extensive features. Automatic duplex scanning, advanced security and direct USB printing are just some of the handy features on this high-performance device.
- Rapid and robust. The X644e can zip through your busiest print runs at up to 48 ppm, with as little as 8.5 seconds to the first printed page.



## PAPER HANDLING

<b>Paper Input</b>	500 sheets + 100 multipurpose feeder
Standard	3100 sheets (1)
Maximum	250-sheet drawer, 500-sheet drawer, 2000-sheet drawer
Optional	
<b>Paper Output</b>	500 sheets
Standard	500 sheets
Maximum	
<b>Duplex Printing</b>	Optional
<b>Media Types Supported</b>	Card Stock, Refer to the Card Stock & Label Guide, Vinyl Labels, Transparencies, Polyester Labels, Plain Paper, Paper Labels, Integrated Labels, Envelopes, Dual Web Labels
<b>Media Sizes Supported</b>	10 Envelope, 7 3/4 Envelope, A4, C5 Envelope, B5 Envelope, A5, 9 Envelope, DL Envelope, Universal, Statement, Letter, Legal, JIS-B5, Folio, Executive
<b>Media Weights Supported</b>	60 up to 216 g/m2 (Card Stock)

## CONNECTIVITY / NETWORK

<b>Connectivity (standard)</b>	Fast Ethernet, USB compatible with USB 2.0 specification, One Internal Card Slot, USB Direct interface on Operator Panel
<b>Connectivity (optional)</b>	
Internal Print Servers <sup>(1)</sup>	MarkNet N8000 Fast Ethernet, MarkNet N8020 Gigabit Ethernet, MarkNet N8030 Fibre Ethernet, MarkNet N8050 802.11g Wireless
External Print Servers	N4000e Fast Ethernet(2), N4050e 802.11g Wireless(2), MarkNet N7000e Fast Ethernet(2), MarkNet N7002e Fast Ethernet(3), MarkNet N7020e Gigabit Ethernet (4 ports)(2)
Other Attachment Options	Parallel 1284-B Interface Card, RS-232C Serial Interface Card
<b>Management Software</b>	MarkVision Professional
<b>Printer Languages</b>	PCL® 6 Emulation, PostScript® 3 Emulation, PPDS Migration Tool, PDF v1.5 emulation
<b>Operating Systems Supported</b>	
Microsoft Windows	98, Me, NT, 2000, XP, Server 2003, XP Professional x64
Apple Macintosh	Mac OS 9.x, Mac OS X
Other	Please visit <a href="http://www.lexmark.com">www.lexmark.com</a> for a complete list of supported versions

## DIGITAL COPYING

<b>Copy Speed</b>	Up to 48 ppm
<b>Copy Select</b>	Up to 999 per cycle
<b>Content Selection</b>	Text, mixed, photo
<b>Reduce/Enlarge</b>	25% to 400%
<b>Automatic Duplex</b>	Optional (1:1, 1:2, 2:1, 2:2)
<b>Multi-up Copying</b>	2-up, 4-up, portrait or landscape
<b>Additional Features</b>	Book copying, job building, account tracking, copy collation, job interrupt, job cancel, scan preview, watermarks

## FAX CAPABILITIES

<b>Modem Speed</b>	33.6 Kbps
<b>Receive Fax</b>	Yes
<b>Send Hard Copy Fax</b>	Flatbed or ADF
<b>Additional Features</b>	Memory send, group fax, speed dials, shortcut keys (Greater than 500), selectable quality modes (Standard, fine, super fine, extra fine), book faxing, retry, transmission and receive log, automatic and customizable cover sheet, broadcasting fax (Up to 46 location), fax redirect e-mail, LDAP lookup

(1) The maximum number of input options is dependent upon whether the X644e MFP is used on a desktop/tabletop or with Lexmark furniture stands/base and if the configuration meets UL Safety specifications (Visit [www.lexmark.com/multifunctionprinters](http://www.lexmark.com/multifunctionprinters) for more information). (2) Requires USB connection. (3) Requires external parallel connection (The optional Parallel 1284-b Interface Card needs to be installed). (4) Only one internal connection can be active at any given time.

Multifunction advantages at your fingertips. Solving piles of paperwork at a touch!

## SCANNER

<b>Scanner Type</b>	Duplex colour/mono flatbed (ADF single pass)
<b>Optical Resolution</b>	600 x 600 dpi (mono), 300 x 300 dpi (colour)
<b>Document Feeding Mode</b>	Flatbed or ADF (50 sheets)
<b>Original Document Thickness</b>	
<b>Original Document Size</b>	ADF minimum: 114 x 139 mm ADF maximum: 216 x 355 mm Flatbed maximum: 216 x 355 mm
<b>Scanning Capabilities</b>	Scan to FTP server, scan to folder, scan to workstation, USB direct scan interface, network Twain, LDAP integration, custom scan profiles, shortcut keys (Greater than 500)
<b>File Format</b>	JPEG, multipage TIFF, PDF

## PHYSICAL SPECIFICATIONS

<b>Dimensions (W x D x H)</b>	710 x 560 x 645 mm
<b>Weight</b>	37.65 kg
<b>Acoustics/Noise Level</b>	Standby mode: 30 dBA Printing mode: 56 dBA
<b>Power and Electrical Specifications</b>	220-240 V AC (50Hz)
<b>Cost-saving and Environmental Features</b>	Energy Star compliant, high-yield toner cartridges available, power saver mode, selectable print darkness levels, print and hold (Verify print), multi-up printing, WEEE

## SUPPLIES

Ships with 10K\* pages return programme toner cartridge  
32K\* pages extra-high-yield return programme toner cartridge (aftermarket).  
21K\* pages high-yield return programme toner cartridge (aftermarket).  
10K\* pages high-yield return programme toner cartridge (aftermarket).  
Regular cartridge is also available

\* Average cartridge yield. Declared yield value in accordance with ISO/IEC 19752.

Printers and supplies are designed for use in Europe, Middle East and Africa only.

## SERVICES

<b>Guarantee</b>	1 year on-site repair, response time next business day
<b>Service Offering</b>	Total 3 year guarantee pack on-site repair, response time next business day 1 year renewal on-site repair, response time next business day
<b>Optional Services</b>	Installation service, deinstallation service, trade-in of old products, hardware and software training

	DESCRIPTION		DESCRIPTION
0022G0468	Lexmark X644e	<b>Furniture</b>	
<b>Memory Options</b>		0016C0369	Printer stand w/ cab.
0013N1523	128 MB SDRAM	0016C0379	Printer stand low
0013N1524	256 MB SDRAM	0016C0389	Printer stand w/o cab.
0013N1526	512 MB SDRAM	0016C0399	Scanner stand w/ cab.
<b>Flash Memory</b>		0022G0551	10" cab. printer/MFP*
001021208	32 MB Flash Memory	0022G0544	Stability enhanced caster base
001021209	64 MB Flash Memory		
<b>Paper Handling</b>			
0020G0889	250-sheet drawer		
0020G0890	500-sheet drawer		
0020G0893	2000-sheet drawer (A4)		
0020G0892	2000-sheet drawer (Letter)		
0020G0888	500-sheet duplex unit		
0020G0891	Envelope feeder		

\* For safety reason a Stability Enhanced Caster Base is required

## Applications Solutions

For applications solutions please refer to chapter Connectivity (100-113)

## Model Available

X644e: standalone



Printer configuration	88 - 99
Connectivity-applications solutions	100 - 113
Compatibility	114 - 125
Supplies	126 - 135
Services	136 - 147



# Lexmark X646e



- + 40GB internal hard drive supports more functionality
- Colour scan previews directly on LCD screen
- Embedded framework for Lexmark workflow solutions



## PAPER HANDLING

<b>Paper Input</b>	500 sheets + 100 multipurpose feeder
Standard	
Maximum	
Optional	250-sheet drawer, 500-sheet drawer, 2000-sheet drawer
<b>Paper Output</b>	500 sheets
Standard	
Maximum	500 sheets
<b>Duplex Printing</b>	Optional
<b>Media Types Supported</b>	Card Stock, Refer to the Card Stock & Label Guide, Vinyl Labels, Transparencies, Polyester Labels, Plain Paper, Paper Labels, Integrated Labels, Envelopes, Dual Web Labels
<b>Media Sizes Supported</b>	10 Envelope, 7 3/4 Envelope, A4, C5 Envelope, B5 Envelope, A5, 9 Envelope, DL Envelope, Universal, Statement, Letter, Legal, JIS-B5, Folio, Executive
<b>Media Weights Supported</b>	

## CONNECTIVITY / NETWORK

<b>Connectivity (standard)</b>	Fast Ethernet, USB compatible with USB 2.0 specification, One Internal Card Slot, USB Direct interface on Operator Panel
<b>Connectivity (optional)</b>	
Internal Print Servers <sup>(1)</sup>	MarkNet N8000 Fast Ethernet, MarkNet N8020 Gigabit Ethernet, MarkNet N8030 Fibre Ethernet, MarkNet N8050 802.11g Wireless
External Print Servers	N4000e Fast Ethernet(3), N4050e 802.11g Wireless(3), MarkNet N7000e Fast Ethernet(3), MarkNet N7002e Fast Ethernet(4), MarkNet N7020e Gigabit Ethernet (4 ports)(3)
Other Attachment Options	Parallel 1284-B Interface Card, RS-232C Serial Interface Card
<b>Management Software</b>	MarkVision Professional
<b>Printer Languages</b>	PCL® 6 Emulation, PostScript® 3 Emulation, PPDS Migration Tool, PDF v1.5 emulation
<b>Operating Systems Supported</b>	
Microsoft Windows	98, Me, NT, 2000, XP, Server 2003, XP Professional x64
Apple Macintosh	Mac OS 9.x, Mac OS X
Other	Please visit <a href="http://www.lexmark.com">www.lexmark.com</a> for a complete list of supported versions

## DIGITAL COPYING

<b>Copy Speed</b>	Up to 48 ppm
<b>Copy Select</b>	Up to 999 per cycle
<b>Content Selection</b>	Text, mixed, photo
<b>Reduce/Enlarge</b>	25% to 400%
<b>Automatic Duplex</b>	Optional (1:1, 1:2, 2:1, 2:2)
<b>Multi-up Copying</b>	2-up, 4-up, portrait or landscape
<b>Additional Features</b>	Book copying, job building, account tracking, copy collation, job interrupt, job cancel, scan preview, watermarks

## FAX CAPABILITIES

<b>Modem Speed</b>	33.6 Kbps
<b>Receive Fax</b>	Yes
<b>Receive to Memory</b>	Yes
<b>Send Hard Copy Fax</b>	Flatbed or ADF
<b>Send Soft Copy Fax</b>	From the PS3 print driver
<b>Send to Fax Server</b>	Yes
<b>Additional Features</b>	Memory send, group fax, speed dials, shortcut keys (Greater than 500), selectable quality modes (Standard, fine, super fine, extra fine), book faxing, retry, transmission and receive log, automatic and customizable cover sheet, broadcasting fax (Up to 46 location), fax redirect e-mail, LDAP lookup

(1) The maximum number of input options is dependent upon whether the X646e MFP is used on a desktop/tabletop or with Lexmark furniture stands/base and if the configuration meets UL Safety specifications (Visit [www.lexmark.com/multifunctionprinters](http://www.lexmark.com/multifunctionprinters) for more information). (2) Only one internal connection can be active at any given time. (3) Requires USB connection. (4) Requires external parallel connection (The optional Parallel 1284-b Interface Card needs to be installed).

## Print Technology

Monochrome Laser  
**Product Class**  
 Medium to large workgroup  
**Functions**  
 Printing, copying, faxing, scanning  
**Print Speed**  
 Up to 48 ppm in A4  
 Up to 50 ppm in Letter  
**Time to First Page**  
 As fast as 8.5 seconds  
**Print Quality**  
 1200 Image Quality - 1200 x 1200 dpi  
 2400 Image Quality - 600 x 600 dpi  
**Processor**  
 533 MHz  
**Memory**  
 256 MB expandable to 768 MB  
**Hard Drive**  
 Greater than 40 GB

## Greater workflow possibilities

### SCANNER

<b>Scanner Type</b>	Duplex colour/mono flatbed (ADF single pass)
<b>Optical Resolution</b>	600 x 600 dpi (mono), 300 x 300 dpi (colour)
<b>Document Feeding Mode</b>	Flatbed or ADF (50 sheets)
<b>Original Document Thickness</b>	
<b>Original Document Size</b>	ADF minimum: 114 x 139 mm ADF maximum: 216 x 355 mm Flatbed maximum: 216 x 355 mm
<b>Scanning Capabilities</b>	Scan to FTP server, scan to folder, scan preview, scan to workstation, USB direct scan interface, network twain, LDAP integration, custom scan profiles, shortcut keys (Greater than 500)
<b>File Format</b>	JPEG, multipage TIFF, PDF

### PHYSICAL SPECIFICATIONS

<b>Dimensions (W x D x H)</b>	710 x 560 x 645 mm
<b>Weight</b>	37.65 kg
<b>Acoustics/Noise Level</b>	Standby mode: 30 dBA Printing mode: 56 dBA
<b>Power and Electrical Specifications</b>	220-240 V AC (50Hz)
<b>Cost-saving and Environmental Features</b>	Energy Star compliant, high-yield toner cartridges available, power saver mode, selectable print darkness levels, print and hold (Verify print), multi-up printing, WEEE

### SUPPLIES

Ships with 21K\* pages return programme toner cartridge  
 32K\* pages extra-high-yield return programme toner cartridge (aftermarket).  
 21K\* pages high-yield return programme toner cartridge (aftermarket).  
 10K\* pages high-yield return programme toner cartridge (aftermarket).  
 Regular cartridge is also available

\* Average cartridge yield. Declared yield value in accordance with ISO/IEC 19752.

Printers and supplies are designed for use in Europe, Middle East and Africa only.

### SERVICES

<b>Guarantee</b>	1 year on-site repair, response time next business day
<b>Service Offering</b>	Total 3 year guarantee pack on-site repair, response time next business day 1 year renewal on-site repair, response time next business day
<b>Optional Services</b>	Installation service, deinstallation service, trade-in of old products, hardware and software training

	DESCRIPTION	DESCRIPTION	
0022G0467	Lexmark X646e		
<b>Memory Options</b>		<b>Furniture</b>	
0013N1523	128 MB SDRAM	0016C0369	Printer stand w/ cab.
0013N1524	256 MB SDRAM	0016C0379	Printer stand low
0013N1526	512 MB SDRAM	0016C0389	Printer stand w/o cab.
<b>Flash Memory</b>		0016C0399	Scanner stand w/ cab.
001021208	32 MB Flash Memory	0022G0551	10" cab. printer/MFP*
001021209	64 MB Flash Memory	0022G0544	Stability enhanced caster base
<b>Paper Handling</b>		* For safety reason a Stability Enhanced Caster Base is required	
0020G0889	250-sheet drawer	<b>Applications Solutions</b>	
0020G0890	500-sheet drawer	For applications solutions please refer to chapter Connectivity (100-113)	
0020G0893	2000-sheet drawer (A4)		
0020G0892	2000-sheet drawer (Letter)		
0020G0888	500-sheet duplex unit		
0020G0891	Envelope feeder		

## Model Available

X646e: standalone



Printer configuration	88 - 99
Connectivity-applications solutions	100 - 113
Compatibility	114 - 125
Supplies	126 - 135
Services	136 - 147



# Lexmark X646dte



- Now showing on the big screen. Access the rich range of document functions more easily than ever before via the exceptionally large, customisable touch-screen interface.
- Built for your heaviest print runs. Comes standard with automatic duplex printing and a second input drawer to run diverse media or boost your total capacity to 1100 sheets.
- Extensive features. Single-pass duplex scanning, advanced security and direct USB printing are just some of the handy features on this high-performance device.



**Print Technology**  
Monochrome Laser

**Product Class**  
Medium to large workgroup

**Functions**  
Printing, copying, faxing, scanning

**Print Speed**  
Up to 48 ppm in A4  
Up to 50 ppm in Letter

**Time to First Page**  
As fast as 8.5 seconds

**Print Quality**  
1200 Image Quality - 1200 x 1200 dpi  
2400 Image Quality - 600 x 600 dpi

**Processor**  
533 MHz

**Memory**  
256 MB expandable to 768 MB

**Hard Drive**  
Greater than 40 GB

## PAPER HANDLING

<b>Paper Input</b>	2 x 500 sheets + 100 multipurpose feeder
Standard	
Maximum	
Optional	250-sheet drawer, 500-sheet drawer, 2000-sheet drawer
<b>Paper Output</b>	500 sheets
Standard	
Maximum	500 sheets
<b>Duplex Printing</b>	Optional
<b>Media Types Supported</b>	Card Stock, Refer to the Card Stock & Label Guide, Vinyl Labels, Transparencies, Polyester Labels, Plain Paper, Paper Labels, Integrated Labels, Envelopes, Dual Web Labels
<b>Media Sizes Supported</b>	10 Envelope, 7 3/4 Envelope, A4, C5 Envelope, B5 Envelope, A5, 9 Envelope, DL Envelope, Universal, Statement, Letter, Legal, JIS-B5, Folio, Executive
<b>Media Weights Supported</b>	

## CONNECTIVITY / NETWORK

<b>Connectivity (standard)</b>	Fast Ethernet, USB compatible with USB 2.0 specification, One Internal Card Slot, USB Direct interface on Operator Panel
<b>Connectivity (optional)</b>	
Internal Print Servers <sup>(1)</sup>	MarkNet N8000 Fast Ethernet, MarkNet N8020 Gigabit Ethernet, MarkNet N8030 Fibre Ethernet, MarkNet N8050 802.11g Wireless
External Print Servers	N4000e Fast Ethernet(3), N4050e 802.11g Wireless(3), MarkNet N7000e Fast Ethernet(3), MarkNet N7002e Fast Ethernet(4), MarkNet N7020e Gigabit Ethernet (4 ports)(3)
Other Attachment Options	Parallel 1284-B Interface Card, RS-232C Serial Interface Card
<b>Management Software</b>	MarkVision Professional
<b>Printer Languages</b>	PCL® 6 Emulation, PostScript® 3 Emulation, PPDS Migration Tool, PDF v1.5 emulation
<b>Operating Systems Supported</b>	
Microsoft Windows	98, Me, NT, 2000, XP, Server 2003, XP Professional x64
Apple Macintosh	Mac OS 9.x, Mac OS X
Other	Please visit <a href="http://www.lexmark.com">www.lexmark.com</a> for a complete list of supported versions

## DIGITAL COPYING

<b>Copy Speed</b>	Up to 48 ppm
<b>Copy Select</b>	Up to 999 per cycle
<b>Content Selection</b>	Text, mixed, photo
<b>Reduce/Enlarge</b>	25% to 400%
<b>Automatic Duplex</b>	1:1, 1:2, 2:1, 2:2
<b>Multi-up Copying</b>	2-up, 4-up, portrait or landscape
<b>Additional Features</b>	Book copying, job building, account tracking, copy collation, job interrupt, job cancel, scan preview, watermarks

## FAX CAPABILITIES

<b>Modem Speed</b>	33.6 Kbps
<b>Receive Fax</b>	Yes
<b>Receive to Memory</b>	Yes
<b>Send Hard Copy Fax</b>	Flatbed or ADF
<b>Send Soft Copy Fax</b>	From the PS3 print driver
<b>Send to Fax Server</b>	Yes
<b>Additional Features</b>	Memory send, group fax, shortcut keys (Greater than 500), selectable quality modes (Standard, fine, super fine, extra fine), book faxing, retry, transmission and receive log, automatic and customizable cover sheet

(1) The maximum number of input options is dependent upon whether the X64Xe MFP is used on a desktop/tabletop or with Lexmark furniture stands/base and if the configuration meets UL Safety specifications (Visit [www.lexmark.com/multifunctionprinters](http://www.lexmark.com/multifunctionprinters) for more information). (2) Only one internal connection can be active at any given time. (3) Requires USB connection. (4) Requires external parallel connection (The optional Parallel 1284-b Interface Card needs to be installed).

A powerful multifunction workhorse. Fully equipped to keep your business going strong!

## Model Available

X646dte: standalone

## SCANNER

<b>Scanner Type</b>	Duplex colour/mono flatbed (ADF single pass)
<b>Optical Resolution</b>	600 x 600 dpi (mono), 300 x 300 dpi (colour)
<b>Document Feeding Mode</b>	Flatbed or ADF (50 sheets)
<b>Original Document Thickness</b>	
<b>Original Document Size</b>	ADF minimum: 114 x 139 mm ADF maximum: 216 x 355 mm Flatbed maximum: 216 x 355 mm
<b>Scanning Capabilities</b>	Scan to FTP server, scan to folder, scan preview, scan to workstation, USB direct scan interface, network twain, LDAP integration, custom scan profiles, shortcut keys (Greater than 500)
<b>File Format</b>	JPEG, multipage TIFF, PDF

## PHYSICAL SPECIFICATIONS

<b>Dimensions (W x D x H)</b>	890 x 560 x 660 mm
<b>Weight</b>	38.3 kg
<b>Acoustics/Noise Level</b>	Standby mode: 30 dBA Printing mode: 56 dBA
<b>Power and Electrical Specifications</b>	220-240 V AC (50Hz)
<b>Cost-saving and Environmental Features</b>	Energy Star compliant, high-yield toner cartridges available, power saver mode, selectable print darkness levels, print and hold (Verify print), multi-up printing, WEEE

## SUPPLIES

Ships with 21K\* pages return programme toner cartridge  
32K\* pages extra-high-yield return programme toner cartridge (aftermarket).  
21K\* pages high-yield return programme toner cartridge (aftermarket).  
10K\* pages high-yield return programme toner cartridge (aftermarket).  
Regular cartridge is also available

\*Average cartridge yield. Declared yield value in accordance with ISO/IEC 19752.

Printers and supplies are designed for use in Europe, Middle East and Africa only.

## SERVICES

<b>Guarantee</b>	1 year on-site repair, response time next business day
<b>Service Offering</b>	Total 3 year guarantee pack on-site repair, response time next business day 1 year renewal on-site repair, response time next business day
<b>Optional Services</b>	Installation service, deinstallation service, trade-in of old products, hardware and software training



Printer configuration	88 - 99
Connectivity-applications solutions	100 - 113
Compatibility	114 - 125
Supplies	126 - 135
Services	136 - 147

	DESCRIPTION		DESCRIPTION
0022G0469	Lexmark X646dte	<b>Furniture</b>	
<b>Memory Options</b>		0016C0369	Printer stand w/ cab.
0013N1523	128 MB SDRAM	0016C0379	Printer stand low
0013N1524	256 MB SDRAM	0016C0389	Printer stand w/o cab.
0013N1526	512 MB SDRAM	0016C0399	Scanner stand w/ cab.
<b>Flash Memory</b>		0022G0551	10" cab. printer/MFP*
001021208	32 MB Flash Memory	0022G0544	Stability enhanced caster base
001021209	64 MB Flash Memory		
<b>Paper Handling</b>			
0020G0889	250-sheet drawer		
0020G0890	500-sheet drawer		
0020G0893	2000-sheet drawer (A4)		
0020G0892	2000-sheet drawer (Letter)		
0020G0888	500-sheet duplex unit		
0020G0891	Envelope feeder		

\* For safety reason a Stability Enhanced Caster Base is required

## Applications Solutions

For applications solutions please refer to chapter Connectivity (100-113)





# Lexmark X646ef



- Includes Lexmark 4600 MFP Option large-screen multifunction unit
- Comes with wide range of advanced finishing features
- Modular-furniture configuration optimises space



## Print Technology

Monochrome Laser  
**Product Class**  
 Medium to large workgroup  
**Functions**  
 Printing, copying, faxing, scanning  
**Print Speed**  
 Up to 48 ppm in A4  
 Up to 50 ppm in Letter  
**Time to First Page**  
 As fast as 8.5 seconds  
**Print Quality**  
 1200 Image Quality - 1200 x 1200 dpi  
 2400 Image Quality - 600 x 600 dpi  
**Processor**  
 514 MHz  
**Memory**  
 256 MB expandable to 640 MB  
**Hard Drive**  
 Optional

## PAPER HANDLING

<b>Paper Input</b>	2 x 500 sheets + 100 multipurpose feeder
Standard	
Maximum	
Optional	250-sheet drawer, 500-sheet drawer, 2000-sheet drawer
<b>Paper Output</b>	500 sheets
Standard	
Maximum	500 sheets
<b>Duplex Printing</b>	Optional
<b>Media Types Supported</b>	Card Stock, Refer to the Card Stock & Label Guide, Vinyl Labels, Transparencies, Polyester Labels, Plain Paper, Paper Labels, Integrated Labels, Envelopes, Dual Web Labels
<b>Media Sizes Supported</b>	10 Envelope, 7 3/4 Envelope, A4, C5 Envelope, B5 Envelope, A5, 9 Envelope, DL Envelope, Universal, Statement, Letter, Legal, JIS-B5, Folio, Executive
<b>Media Weights Supported</b>	

## CONNECTIVITY / NETWORK

<b>Connectivity (standard)</b>	Fast Ethernet, USB compatible with USB 2.0 specification, One Internal Card Slot, USB Direct interface on Operator Panel
<b>Connectivity (optional)</b>	
Internal Print Servers <sup>(1)</sup>	MarkNet N8000 Fast Ethernet, MarkNet N8020 Gigabit Ethernet, MarkNet N8030 Fibre Ethernet, MarkNet N8050 802.11g Wireless
External Print Servers	N4000e Fast Ethernet(3), N4050e 802.11g Wireless(3), MarkNet N7000e Fast Ethernet(3), MarkNet N7002e Fast Ethernet(4), MarkNet N7020e Gigabit Ethernet (4 ports)(3)
Other Attachment Options	Parallel 1284-B Interface Card, RS-232C Serial Interface Card
<b>Management Software</b>	MarkVision Professional
<b>Printer Languages</b>	PCL® 6 Emulation, PostScript® 3 Emulation, PPDS Migration Tool, PDF v1.5 emulation
<b>Operating Systems Supported</b>	
Microsoft Windows	98, Me, NT, 2000, XP, Server 2003, XP Professional x64
Apple Macintosh	Mac OS 9.x, Mac OS X
Other	Please visit <a href="http://www.lexmark.com">www.lexmark.com</a> for a complete list of supported versions

## DIGITAL COPYING

<b>Copy Speed</b>	Up to 48 ppm
<b>Copy Select</b>	Up to 999 per cycle
<b>Content Selection</b>	Text, mixed, photo
<b>Reduce/Enlarge</b>	25% to 400%
<b>Automatic Duplex</b>	1:1, 1:2, 2:1, 2:2
<b>Multi-up Copying</b>	2-up, 4-up, portrait or landscape
<b>Additional Features</b>	Book copying, job building, account tracking, copy collation, job interrupt, job cancel, scan preview, watermarks

## FAX CAPABILITIES

<b>Modem Speed</b>	33.6 Kbps
<b>Receive Fax</b>	Yes
<b>Receive to Memory</b>	Yes
<b>Send Hard Copy Fax</b>	Flatbed or ADF
<b>Send Soft Copy Fax</b>	From the PS3 print driver
<b>Send to Fax Server</b>	Yes
<b>Additional Features</b>	Memory send, group fax, speed dials, shortcut keys (Greater than 500), selectable quality modes (Standard, fine, super fine, extra fine), book faxing, retry, transmission and receive log, automatic and customizable cover sheet, broadcasting fax (Up to 46 locations), fax redirect e-mail, LDAP lookup

(1) The maximum number of input options is dependent upon whether the X646ef MFP is used on a desktop/tabletop or with Lexmark furniture stands/base and if the configuration meets UL Safety specifications (Visit [www.lexmark.com/multifunctionprinters](http://www.lexmark.com/multifunctionprinters) for more information). (2) Only one internal connection can be active at any given time. (3) Requires USB connection. (4) Requires external parallel connection (The optional Parallel 1284-b Interface Card needs to be installed).

## Fully equipped from start to finish

### SCANNER

<b>Scanner Type</b>	Duplex colour/mono flatbed (ADF single pass)
<b>Optical Resolution</b>	600 x 600 dpi (mono), 300 x 300 dpi (colour)
<b>Document Feeding Mode</b>	Flatbed or ADF (50 sheets)
<b>Original Document Thickness</b>	
<b>Original Document Size</b>	ADF minimum: 114 x 139 mm ADF maximum: 216 x 355 mm Flatbed maximum: 216 x 355 mm
<b>Scanning Capabilities</b>	Scan to FTP server, scan to folder, scan preview, scan to workstation, USB direct scan interface, network twain, LDAP integration, custom scan profiles, shortcut keys (Greater than 500)
<b>File Format</b>	JPEG, multipage TIFF, PDF

### PHYSICAL SPECIFICATIONS

<b>Dimensions (W x D x H)</b>	1447 x 698 x 741 mm
<b>Weight</b>	81.65 kg
<b>Acoustics/Noise Level</b>	Standby mode: 35 dBA Printing mode: 53 dBA
<b>Power and Electrical Specifications</b>	220-240 V AC (50Hz)
<b>Cost-saving and Environmental Features</b>	Energy Star compliant, high-yield toner cartridges available, power saver mode, selectable print darkness levels, print and hold (Verify print), multi-up printing, WEEE

### SUPPLIES

Ships with 21K\* pages return programme toner cartridge  
 32K\* pages extra-high-yield return programme toner cartridge (aftermarket).  
 21K\* pages high-yield return programme toner cartridge (aftermarket).  
 10K\* pages high-yield return programme toner cartridge (aftermarket).  
 Regular cartridge is also available

\* Average cartridge yield. Declared yield value in accordance with ISO/IEC 19752.

Printers and supplies are designed for use in Europe, Middle East and Africa only.

### SERVICES

<b>Guarantee</b>	1 year on-site repair, response time next business day
<b>Service Offering</b>	Total 3 year guarantee pack on-site repair, response time next business day 1 year renewal on-site repair, response time next business day
<b>Optional Services</b>	Installation service, deinstallation service, trade-in of old products, hardware and software training

	DESCRIPTION		DESCRIPTION
0021J0153	Lexmark X646ef	<b>Furniture</b>	
<b>Memory Options</b>		0016C0369	Printer stand w/ cab.
0013N1523	128 MB SDRAM	0016C0379	Printer stand low
0013N1524	256 MB SDRAM	0016C0389	Printer stand w/o cab.
0013N1526	512 MB SDRAM	0016C0399	Scanner stand w/ cab.
<b>Flash Memory</b>		0016C0700	Scanner stand w/ cab.
001021208	32 MB Flash Memory	0022G0551	10" cab. printer/MFP*
001021209	64 MB Flash Memory	0022G0544	Stability enhanced caster base
<b>Paper Handling</b>			
0020G0889	250-sheet drawer		
0020G0890	500-sheet drawer		
0020G0893	2000-sheet drawer (A4)		
0020G0892	2000-sheet drawer (Letter)		
0020G0888	500-sheet duplex unit		
0020G0891	Envelope feeder		

\* For safety reason a Stability Enhanced Caster Base is required

### Applications Solutions

For applications solutions please refer to chapter Connectivity (100-113)

## Model Available

X646ef: standalone



Printer configuration	88 - 99
Connectivity-applications solutions	100 - 113
Compatibility	114 - 125
Supplies	126 - 135
Services	136 - 147



# Lexmark X850e



- The perfect fit for your budget. Affordably priced, the X850e MFP offers a rich range of innovative features to help you work more easily and productively than ever before.
- Now showing on the 'big screen'. The incredibly large, customisable touch-screen gives you fast access to a number of easy-to-use functions, including duplex colour scanning.
- Faster and more robust. The X850e delivers 35 ppm print speed, rapid time to first page, advanced finishing, and large standard input capacity of 3,100 sheets.



## Print Technology

Monochrome Laser  
**Product Class**  
 Medium to large workgroup A3

**Functions**  
 Printing, copying, faxing, scanning

**Print Speed**  
 Up to 35 ppm in A4 / Letter

**Time to First Page**  
 As fast as 10 seconds

**Print Quality**  
 1200 Image Quality - 1200 x 1200 dpi  
 2400 Image Quality - 600 x 600 dpi

**Processor**  
 625 MHz

**Memory**  
 256 MB expandable to 768 MB

**Hard Drive**  
 Greater than 40 GB

## PAPER HANDLING

<b>Paper Input</b>	
Standard	3000 sheets + 100 multipurpose feeder
Maximum	5100 sheets
Optional	2000-sheet side high capacity feeder, 2 x 500-sheet

<b>Paper Output</b>	
Standard	3800 sheets
Maximum	300-sheet bin 1, 500-sheet finisher bin 1, 3000-sheet finisher bin 2
Optional	

<b>Duplex Printing</b>	Standard
<b>Finishing</b>	Optional (Stapling, hole punching, offsetting)
<b>Media Types Supported</b>	Card Stock, Envelopes, Paper Labels, Plain Paper, Transparencies, Refer to the Card Stock & Label Guide
<b>Media Sizes Supported</b>	10 Envelope, 7 3/4 Envelope, A3, A4, A5, C5 Envelope, DL Envelope, Executive, Folio, JISB4, JIS-B5, Ledger, Legal, Letter, Statement

## Media Weights Supported

## CONNECTIVITY / NETWORK

<b>Connectivity (standard)</b>	Fast Ethernet, USB Compatible with USB 2.0 Specification, One Internal Card Slot, USB Direct interface on Operator Panel, Centronics IEEE 1284 Bidirectional Parallel
--------------------------------	---

<b>Connectivity (optional)</b>	
Internal Print Servers <sup>(1)</sup>	MarkNet N8000 Fast Ethernet, MarkNet N8020 Gigabit Ethernet, MarkNet N8030 Fibre Ethernet, MarkNet N8050 802.11g Wireless
External Print Servers	N4000e Fast Ethernet(4), N4050e 802.11g Wireless(4), MarkNet N7000e Fast Ethernet(4), MarkNet N7002e Fast Ethernet(5), MarkNet N7020e Gigabit Ethernet (4 ports)(4)

<b>Other Attachment Options</b>	Parallel 1284-B Interface Card, RS-232C Serial Interface Card
---------------------------------	---

<b>Management Software</b>	MarkVision Professional
<b>Printer Languages</b>	PCL® 6 Emulation, PostScript® 3 Emulation, PPDS Migration Tool, PDF v1.5 emulation

<b>Operating Systems Supported</b>	
Microsoft Windows	98, Me, NT, 2000, XP, Server 2003, XP Professional x64
Apple Macintosh	Mac OS 9.x, Mac OS X
Other	Please visit <a href="http://www.lexmark.com">www.lexmark.com</a> for a complete list of supported versions

## DIGITAL COPYING

<b>Copy Speed</b>	Up to 35 ppm
<b>Copy Select</b>	Up to 999 per cycle
<b>Content Selection</b>	Text, mixed, photo
<b>Reduce/Enlarge</b>	25% to 400%
<b>Automatic Duplex</b>	1:1, 1:2, 2:1, 2:2
<b>Multi-up Copying</b>	2-up, 4-up, portrait or landscape
<b>Additional Features</b>	Book copying, job building, account tracking, copy collation, job interrupt, job cancel, scan preview, watermarks

## FAX CAPABILITIES

<b>Modem Speed</b>	33.6 Kbps
<b>Receive Fax</b>	Yes
<b>Receive to Memory</b>	Yes
<b>Send Hard Copy Fax</b>	Flatbed or ADF
<b>Send Soft Copy Fax</b>	From the PS3 print driver
<b>Send to Fax Server</b>	Yes
<b>Additional Features</b>	Memory send, group fax, speed dials, shortcut keys (Greater than 500), selectable quality modes (Standard, fine, super fine, extra fine), book faxing, retry, transmission and receive log, automatic and customisable cover sheet, broadcasting fax (Up to 46 locations), fax redirect e-mail, LDAP lookup, fax storage

(1) This input option can be installed beneath the MFP to offer additional capacity for wide-format paper. Available only as an RPO, as it cannot exist concurrently with the 2000-Sheet Dual Input. (2) With the finisher option installed, the capacity is reduce to 300 sheets in bin 1. (3) Only one internal connection can be active at any given time. (4) Requires USB connection. (5) Requires external parallel connection.

An affordable path to workgroup efficiency! Down with heavy costs. Up with productivity!

## Model Available

X850e: standalone

## SCANNER

<b>Scanner Type</b>	Colour/mono flatbed with DADF
<b>Optical Resolution</b>	600 x 600 dpi (mono), 600 x 300 dpi (colour)
<b>Document Feeding Mode</b>	Flatbed or ADF (75 sheets)
<b>Original Document Thickness</b>	
<b>Original Document Size</b>	ADF minimum: 210 x 139 mm ADF maximum: 297 x 432 mm Flatbed maximum: 297 x 432 mm

## Scanning Capabilities

<b>Scanning Capabilities</b>	Scan to FTP server, scan to folder, scan preview, scan to workstation, USB direct scan interface, network twain, LDAP integration, custom scan profiles, shortcut keys (Greater than 500)
<b>File Format</b>	JPEG, multipage TIFF, PDF

## PHYSICAL SPECIFICATIONS

<b>Dimensions (W x D x H)</b>	
Bundle (Optional)	1095 x 640 x 700 mm
Finisher (Optional)	1066 x 584 x 660 mm
High-Cap Feeder (Optional)	381 x 406 x 610 mm
<b>Weights</b>	Bundle: 105.7 kg / Finisher: 52 kg / High-cap feeder: 29 kg
<b>Acoustics/Noise Level</b>	Standby mode: 32 dBA Printing mode: 52 dBA 220-240 V AC (50Hz)
<b>Power and Electrical Specifications</b>	
<b>Cost-saving and Environmental Features</b>	Energy Star compliant, high-yield toner cartridges available, duplex printing, power saver mode, selectable print darkness levels, print and hold (Verify print), multi-up printing, WEEE

## SUPPLIES

Ships with 30K\* pages return programme toner cartridge  
 Ships with 48K\* photoconductor kit  
 30K\* pages high-yield toner cartridge (aftermarket)  
 48K pages photoconductor kit  
 \* Average cartridge yield. Declared yield value in accordance with ISO/IEC 19752.

## SERVICES

<b>Guarantee</b>	1 year on-site repair or 600k pages printed, response time next business day
<b>Service Offering</b>	Total 3 year guarantee pack on-site repair or 1.8 m pages printed, response time next business day 1 year renewal on-site repair or 600k pages printed, response time next business day
<b>Optional Services</b>	Installation service, deinstallation service, trade-in of old products, hardware and software training

	DESCRIPTION	Paper Handling	DESCRIPTION
0015R0072	Lexmark X850e	0015R0145	2000-sheet high-capacity feeder
<b>Memory Options</b>		0015R0146	2 x 500-sheet drawer
0013N1523	128 MB SDRAM	0015R0143	2/4 finisher (hole, stapling)
0013N1524	256 MB SDRAM	0025A0013	Staple pack (3 cartridges of 5000)
0013N1526	512 MB SDRAM		
<b>Flash Memory</b>			
001021208	32 MB Flash Memory		
001021209	64 MB Flash Memory		
<b>Applications Solutions</b>			

For applications solutions please refer to chapter Connectivity (100-113)



Printer configuration 88 - 99  
 Connectivity-applications solutions 100 - 113  
 Compatibility 114 - 125  
 Supplies 126 - 135  
 Services 136 - 147





# Lexmark X852e



- Network-friendly solutions. The X852e offers an embedded-solutions framework, so you can benefit from the latest workflow-enhancing software without weighing down your network.
- Big-screen simplicity. With the incredibly large, customisable touch-screen, you get fast, easy access to a wide range of advanced functions, including duplex colour scanning.
- Impressive performance. Benefit from rapid 45 ppm print speeds, a solid mid-volume duty cycle, and best-in-class input capacity of up to 5100 sheets.



## Print Technology

Monochrome Laser  
**Product Class**  
 Medium to large workgroup A3

**Functions**  
 Printing, copying, faxing, scanning

**Print Speed**  
 Up to 45 ppm in A4 / Letter  
**Time to First Page**  
 As fast as 10 seconds

**Print Quality**  
 1200 Image Quality - 1200 x 1200 dpi  
 2400 Image Quality - 600 x 600 dpi

**Processor**  
 625 MHz

**Memory**  
 256 MB expandable to 768 MB

**Hard Drive**  
 Greater than 40 GB

## PAPER HANDLING

<b>Paper Input</b>	
Standard	3000 sheets + 100 multipurpose feeder
Maximum	5100 sheets
Optional	2000-sheet side high capacity feeder, 2 x 500-sheet

<b>Paper Output</b>	
Standard	3800 sheets
Maximum	300-sheet bin 1, 500-sheet finisher bin 1, 3000-sheet finisher bin 2
Optional	

<b>Duplex Printing</b>	Standard
<b>Finishing</b>	Optional (Stapling, hole punching, offsetting)
<b>Media Types Supported</b>	Card Stock, Envelopes, Paper Labels, Plain Paper, Transparencies, Refer to the Card Stock & Label Guide
<b>Media Sizes Supported</b>	10 Envelope, 7 3/4 Envelope, A3, A4, A5, C5 Envelope, DL Envelope, Executive, Folio, JISB4, JIS-B5, Ledger, Legal, Letter, Statement

## Media Weights Supported

## CONNECTIVITY / NETWORK

<b>Connectivity (standard)</b>	Fast Ethernet, USB Compatible with USB 2.0 Specification, One Internal Card Slot, USB Direct interface on Operator Panel, Centronics IEEE 1284 Bidirectional Parallel
--------------------------------	---

<b>Connectivity (optional)</b>	
Internal Print Servers <sup>(1)</sup>	MarkNet N8000 Fast Ethernet, MarkNet N8020 Gigabit Ethernet, MarkNet N8030 Fibre Ethernet, MarkNet N8050 802.11g Wireless
External Print Servers	N4000e Fast Ethernet(4), N4050e 802.11g Wireless(4), MarkNet N7000e Fast Ethernet(4), MarkNet N7002e Fast Ethernet(5), MarkNet N7020e Gigabit Ethernet (4 ports)(4)

**Other Attachment Options**  
 Parallel 1284-B Interface Card, RS-232C Serial Interface Card

**Management Software**  
 MarkVision Professional

**Printer Languages**  
 PCL® 6 Emulation, PostScript® 3 Emulation, PPDS Migration Tool, PDF v1.5 emulation

**Operating Systems Supported**  
 Microsoft Windows

98, Me, NT, 2000, XP, Server 2003, XP Professional x64  
 Mac OS 9.x, Mac OS X  
 Other  
 Please visit [www.lexmark.com](http://www.lexmark.com) for a complete list of supported versions

## DIGITAL COPYING

<b>Copy Speed</b>	Up to 45 ppm in A4, up to 19 ppm in A3
<b>Copy Select</b>	Up to 999 per cycle
<b>Content Selection</b>	Text, mixed, photo
<b>Reduce/Enlarge</b>	25% to 400%
<b>Automatic Duplex</b>	1:1, 1:2, 2:1, 2:2
<b>Multi-up Copying</b>	2-up, 4-up, portrait or landscape
<b>Additional Features</b>	Book copying, job building, account tracking, copy collation, job interrupt, job cancel, scan preview, watermarks

## FAX CAPABILITIES

<b>Modem Speed</b>	33.6 Kbps
<b>Receive Fax</b>	Yes
<b>Receive to Memory</b>	Yes
<b>Send Hard Copy Fax</b>	Flatbed or ADF
<b>Send Soft Copy Fax</b>	From the PS3 print driver
<b>Send to Fax Server</b>	Yes
<b>Additional Features</b>	Memory send, group fax, speed dials, shortcut keys (Greater than 500), selectable quality modes (Standard, fine, super fine, extra fine), book faxing, retry, transmission and receive log, automatic and customisable cover sheet, broadcasting fax (Up to 46 locations), fax redirect e-mail, LDAP lookup, fax storage

(1) This input option can be installed beneath the MFP to offer additional capacity for wide-format paper. Available only as an RPO, as it cannot exist concurrently with the 2000-Sheet Dual Input. (2) With the finisher option installed, the capacity is reduce to 300 sheets in bin 1. (3) Only one internal connection can be active at any given time. (4) Requires USB connection. (5) Requires external parallel connection.

Greater possibilities to streamline your workflow!  
 Workflow enhancement begins here!

## Model Available

X852e: standalone

## SCANNER

<b>Scanner Type</b>	Colour/mono flatbed with DADF
<b>Optical Resolution</b>	600 x 600 dpi (mono), 600 x 300 dpi (colour)
<b>Document Feeding Mode</b>	Flatbed or ADF (75 sheets)
<b>Original Document Thickness</b>	
<b>Original Document Size</b>	ADF minimum: 210 x 139 mm ADF maximum: 297 x 432 mm Flatbed maximum: 297 x 432 mm

## Scanning Capabilities

<b>Scanning Capabilities</b>	Scan to FTP server, scan to folder, scan preview, scan to workstation, USB direct scan interface, network twain, LDAP integration, custom scan profiles, shortcut keys (Greater than 500)
<b>File Format</b>	JPEG, multipage TIFF, PDF

## PHYSICAL SPECIFICATIONS

<b>Dimensions (W x D x H)</b>	
Bundle (Optional)	1095 x 640 x 700 mm
Finisher (Optional)	1066 x 584 x 660 mm
High-Cap Feeder (Optional)	381 x 406 x 610 mm
<b>Weights</b>	Bundle: 105.7 kg / Finisher: 52 kg / High-cap feeder: 29 kg
<b>Acoustics/Noise Level</b>	Standby mode: 32 dBA Printing mode: 53 dBA
<b>Power and Electrical Specifications</b>	220-240 V AC (50Hz)
<b>Cost-saving and Environmental Features</b>	Energy Star compliant, high-yield toner cartridges available, duplex printing, power saver mode, selectable print darkness levels, print and hold (Verify print), multi-up printing, WEEE

## SUPPLIES

Ships with 30K\* pages return programme toner cartridge  
 Ships with 60K\* photoconductor kit  
 30K\* pages high-yield toner cartridge (aftermarket)  
 60K pages photoconductor kit  
 \* Average cartridge yield. Declared yield value in accordance with ISO/IEC 19752.

## SERVICES

<b>Guarantee</b>	1 year on-site repair or 600k pages printed, response time next business day
<b>Service Offering</b>	Total 3 year guarantee pack on-site repair or 1.8 m pages printed, response time next business day 1 year renewal on-site repair or 600k pages printed, response time next business day
<b>Optional Services</b>	Installation service, deinstallation service, trade-in of old products, hardware and software training

	DESCRIPTION	Paper Handling	DESCRIPTION
0015R0124	Lexmark X852e	0015R0145	2000-sheet high-capacity feeder
<b>Memory Options</b>		0015R0146	2 x 500-sheet drawer
0013N1523	128 MB SDRAM	0015R0143	2/4 finisher (hole, stapling)
0013N1524	256 MB SDRAM	0025A0013	Staple pack (3 cartridges of 5000)
0013N1526	512 MB SDRAM		
<b>Flash Memory</b>			
001021208	32 MB Flash Memory		
001021209	64 MB Flash Memory		
<b>Applications Solutions</b>			
For applications solutions please refer to chapter Connectivity (100-113)			



Printer configuration 88 - 99  
 Connectivity-applications solutions 100 - 113  
 Compatibility 114 - 125  
 Supplies 126 - 135  
 Services 136 - 147



# Lexmark X854e



- Tireless performance. With output as fast as 55 ppm, and a very robust monthly duty cycle, the X854e has the speed and stamina to power your business growth.
- Big-screen simplicity. The incredibly large, customisable touch-screen gives you fast, hassle-free access to all the functions you need to stay productive.
- Ready for big jobs. Benefit from optional stapling, stacking and hole punching, as well as stackable input drawers to reach a tremendous capacity of up to 5,100 sheets.



## Print Technology

Monochrome Laser  
**Product Class**  
 Medium to large workgroup A3

**Functions**  
 Printing, copying, faxing, scanning

**Print Speed**  
 Up to 55 ppm in A4 / Letter

**Time to First Page**  
 As fast as 10 seconds

**Print Quality**  
 1200 Image Quality - 1200 x 1200 dpi  
 2400 Image Quality - 600 x 600 dpi

**Processor**  
 625 MHz

**Memory**  
 256 MB expandable to 768 MB

**Hard Drive**  
 Greater than 40 GB

## PAPER HANDLING

<b>Paper Input</b>	
Standard	3000 sheets + 100 multipurpose feeder
Maximum	5100 sheets
Optional	2000-sheet side high capacity feeder, 2 x 500-sheet
<b>Paper Output</b>	
Standard	3800 sheets
Maximum	300-sheet bin 1, 500-sheet finisher bin 1, 3000-sheet finisher bin 2
Optional	
<b>Duplex Printing</b>	Standard
<b>Finishing</b>	Optional (Stapling, hole punching, offsetting)
<b>Media Types Supported</b>	Card Stock, Envelopes, Paper Labels, Plain Paper, Transparencies, Refer to the Card Stock & Label Guide
<b>Media Sizes Supported</b>	10 Envelope, 7 3/4 Envelope, A3, A4, A5, C5 Envelope, DL Envelope, Executive, Folio, JISB4, JIS-B5, Ledger, Legal, Letter, Statement
<b>Media Weights Supported</b>	

## CONNECTIVITY / NETWORK

<b>Connectivity (standard)</b>	Fast Ethernet, USB Compatible with USB 2.0 Specification, One Internal Card Slot, USB Direct interface on Operator Panel, Centronics IEEE 1284 Bidirectional Parallel
<b>Connectivity (optional)</b>	Internal Print Servers <sup>(1)</sup>
	MarkNet N8000 Fast Ethernet, MarkNet N8020 Gigabit Ethernet, MarkNet N8030 Fibre Ethernet, MarkNet N8050 802.11g Wireless, N4000e Fast Ethernet(4), N4050e 802.11g Wireless(4), MarkNet N7000e Fast Ethernet(4), MarkNet N7002e Fast Ethernet(5), MarkNet N7020e Gigabit Ethernet (4 ports)(4)
External Print Servers	Parallel 1284-B Interface Card, RS-232C Serial Interface Card
Other Attachment Options	MarkVision Professional
<b>Management Software</b>	PCL® 6 Emulation, PostScript® 3 Emulation, PPDS Migration Tool, PDF v1.5 emulation
<b>Printer Languages</b>	
<b>Operating Systems Supported</b>	Microsoft Windows
	98, Me, NT, 2000, XP, Server 2003, XP Professional x64
Apple Macintosh	Mac OS 9.x, Mac OS X
Other	Please visit <a href="http://www.lexmark.com">www.lexmark.com</a> for a complete list of supported versions

## DIGITAL COPYING

<b>Copy Speed</b>	Up to 55 ppm in A4
<b>Copy Select</b>	Up to 999 per cycle
<b>Content Selection</b>	Text, mixed, photo
<b>Reduce/Enlarge</b>	25% to 400%
<b>Automatic Duplex</b>	1:1, 1:2, 2:1, 2:2
<b>Multi-up Copying</b>	2-up, 4-up, portrait or landscape
<b>Additional Features</b>	Book copying, job building, account tracking, copy collation, job interrupt, job cancel, scan preview, watermarks

## FAX CAPABILITIES

<b>Modem Speed</b>	33.6 Kbps
<b>Receive Fax</b>	Yes
<b>Receive to Memory</b>	Yes
<b>Send Hard Copy Fax</b>	Flatbed or ADF
<b>Send Soft Copy Fax</b>	From the PS3 print driver
<b>Send to Fax Server</b>	Yes
<b>Additional Features</b>	Memory send, group fax, speed dials, shortcut keys (Greater than 500), selectable quality modes (Standard, fine, super fine, extra fine), book faxing, retry, transmission and receive log, automatic and customisable cover sheet, broadcasting fax (Up to 46 locations), fax redirect e-mail, LDAP lookup, fax storage

(1) This input option can be installed beneath the MFP to offer additional capacity for wide-format paper. Available only as an RPO, as it cannot exist concurrently with the 2000-Sheet Dual Input. (2) With the finisher option installed, the capacity is reduce to 300 sheets in bin 1. (3) Only one internal connection can be active at any given time. (4) Requires USB connection. (5) Requires external parallel connection.

A complete solution for your heaviest departmental needs! Designed to do it all!

## Model Available

X854e: standalone

## SCANNER

<b>Scanner Type</b>	Colour/mono flatbed with DADF
<b>Optical Resolution</b>	600 x 600 dpi (mono), 600 x 300 dpi (colour)
<b>Document Feeding Mode</b>	Flatbed or ADF (75 sheets)
<b>Original Document Thickness</b>	
<b>Original Document Size</b>	ADF minimum: 210 x 139 mm ADF maximum: 297 x 432 mm Flatbed maximum: 297 x 432 mm
<b>Scanning Capabilities</b>	Scan to FTP server, scan to folder, scan preview, scan to workstation, USB direct scan interface, network twain, LDAP integration, custom scan profiles, shortcut keys (Greater than 500)
<b>File Format</b>	JPEG, multipage TIFF, PDF

## PHYSICAL SPECIFICATIONS

<b>Dimensions (W x D x H)</b>	
Bundle (Optional)	1095 x 640 x 700 mm
Finisher (Optional)	1066 x 584 x 660 mm
High-Cap Feeder (Optional)	381 x 406 x 610 mm
<b>Weights</b>	Bundle: 105.7 kg / Finisher: 52 kg / High-cap feeder: 29 kg
<b>Acoustics/Noise Level</b>	Standby mode: 32 dBA Printing mode: 53 dBA 220-240 V AC (50Hz)
<b>Power and Electrical Specifications</b>	
<b>Cost-saving and Environmental Features</b>	Energy Star compliant, high-yield toner cartridges available, duplex printing, power saver mode, selectable print darkness levels, print and hold (Verify print), multi-up printing, WEEE

## SUPPLIES

Ships with 30K\* pages return programme toner cartridge  
 Ships with 70K\* photoconductor kit  
 30K\* pages high-yield toner cartridge (aftermarket)  
 70K pages photoconductor kit  
 \* Average cartridge yield. Declared yield value in accordance with ISO/IEC 19752.

## SERVICES

<b>Guarantee</b>	1 year on-site repair or 600k pages printed, response time next business day
<b>Service Offering</b>	Total 3 year guarantee pack on-site repair or 1.8 m pages printed, response time next business day 1 year renewal on-site repair or 600k pages printed, response time next business day
<b>Optional Services</b>	Installation service, deinstallation service, trade-in of old products, hardware and software training



Printer configuration 88 - 99  
 Connectivity-applications solutions 100 - 113  
 Compatibility 114 - 125  
 Supplies 126 - 135  
 Services 136 - 147

	DESCRIPTION	Paper Handling	DESCRIPTION
0015R0217	Lexmark X854e	0015R0145	2000-sheet high-capacity feeder
<b>Memory Options</b>		0015R0146	2 x 500-sheet drawer
0013N1523	128 MB SDRAM	0015R0143	2/4 finisher (hole, stapling)
0013N1524	256 MB SDRAM	0025A0013	Staple pack (3 cartridges of 5000)
0013N1526	512 MB SDRAM		
<b>Flash Memory</b>			
001021208	32 MB Flash Memory		
001021209	64 MB Flash Memory		
<b>Applications Solutions</b>			
	For applications solutions please refer to chapter Connectivity (100-113)		



# Lexmark 4600 MFP Option



The Lexmark 4600 MFP option multifunction upgrade unit gives you an easy, cost-effective way to upgrade your existing Lexmark laser printer to the latest MFP features and functions from Lexmark, including advanced high-speed copying, faxing and scanning – and the largest, most intuitive colour touch-screen ever made in the history of MFPs.



## SCANNER SPECIFICATION

<b>Scanner Type</b>	Colour/mono flatbed with ADF
<b>Scanner Technology</b>	CCD Charged Couple Device
<b>Light Sources</b>	Cold cathode fluorescent lamp
<b>Number of Light Sources</b>	1 per CCD (Total: 2)
<b>ADF Type</b>	Single Pass Duplex ADF with C Path
<b>Hard Disk</b>	Greater than 40 GB
<b>Memory</b>	128 MB or 256 MB
<b>Simplex Scan Speed</b>	Up to 33/35 sides per minute (A4, mono) Up to 17/18 sides per minute (A4, colour)
<b>Scanning Resolution</b>	600 x 600 dpi (mono) 300 x 300 dpi (colour)
<b>Original Document Size</b>	ADF minimum: 114 x 139 mm ADF maximum: 216 x 355 mm Flatbed maximum: 216 x 355 mm
<b>Copy/Fax/Scan (ADF) Paper</b>	
<b>Input Capacity</b>	
<b>Reduce/Enlarge</b>	25% to 400%
<b>Modem Speed</b>	33.6 Kbps
<b>Scanning Capabilities</b>	Scan to FTP server, scan to folder, scan preview, scan to workstation, network twain, LDAP integration, custom scan profiles, shortcut keys (Greater than 500)
<b>File Format</b>	JPEG, multipage TIFF, PDF
<b>Acoustic/Noise Level</b>	52.5 dBA (Operating)
<b>Size (H x W x D)</b>	370 x 525 x 515 mm
<b>Weight</b>	14.51 kg

An easy upgrade to big-screen MFP innovation

## PACKAGE CONTENTS

Lexmark 4600 MFP option  
RJ-11 phone cable  
RJ-11 phone adapter (Country specific)  
PCI card  
Firmware card  
128 MB or 256 MB memory  
Printer OP panel cover  
Setup guide (Hardcopy)  
Software and documentation CD  
WEEE booklet (Country dependent)  
AC power cord  
DC/PCI cable  
Spare separator pad



Printer configuration 88 - 99  
Connectivity-applications solutions 100 - 113  
Compatibility 114 - 125  
Supplies 126 - 135  
Services 136 - 147

## SERVICES

<b>Guarantee</b>	1 year on-site repair, response time next business day
<b>Service Offering</b>	Total 3 year guarantee pack on-site repair, response time next business day 1 year renewal on-site repair, response time next business day
<b>Optional Services</b>	Installation service, deinstallation service, trade-in of old products, hardware and software training

## DESCRIPTION

0021J0109	Lexmark 4600 MFP Option (Mono)
<b>Memory Options</b>	
0013N1523	128 MB SDRAM
0013N1524	256 MB SDRAM
0013N1526	512 MB SDRAM
<b>Furniture</b>	
0021J0050	Scanner shelf T642/T644
0016C0602	MFP adjustable stand
0016C0369	Printer stand w/ cab.
0016C0379	T series low profile
0016C0389	T series printer stand
0016C0399	Scanner stand w/ cab.
0016C0700	Scanner stand w/ cab.
0022G0551	10" cab. printer/MFP option
0022G0544	Stability enhanced caster base



The Lexmark X646ef is equipped with the Lexmark 4600 MFP Option and a finisher

# Lexmark Forms Printer 2480/81



- Two forms loaded simultaneously with optional second tractor feeder
- Dependable multi-part form printing through a straight paper path
- Optional High-Yield re-inking ribbon produces up to 8 million characters



PAPER HANDLING	
<b>Paper Standard</b>	Front Tractor Feeder
<b>Paper Optional</b>	Automatic Sheet Feeder Tractor 2 2400 cut-sheet output stand
<b>Paper Path</b>	Continuous forms may be loaded in either push or pull modes with the movable tractor feed or fed through the bottom feed Automatic sheet feed option available which may be used in conjunction with continuous forms Tractor 2 feeder option allows simultaneous loading of two continuous forms and forms selections with the touch of a button
<b>Media Types Supported</b>	Cut forms, continuous forms, multi-part forms, single-part forms, envelopes, labels
<b>Forms Handling</b>	Front push/pull, bottom pull, rear push, convertible tractor, manual cut-sheet feed

PRINTING CAPABILITIES	
<b>Print Resolution</b>	240 x 144 dots per inch NLQ
<b>Print Line (Maximum)</b>	2480: 8 in. / 203,2 mm 2481: 13.6 in. / 345,4 mm
<b>Print Speed</b>	Up to 510 cps in Fast Draft at 12 cpi Up to 304 cps in Draft at 12 cpi Up to 76 cps in Near Letter Quality at 12 cpi
<b>Memory</b>	96 KB Receive Buffer (NLQ Download Disabled) 64 KB Receive Buffer (NLQ Download Enabled)
<b>Fonts Selection</b>	4 resident fonts : Gothic, Courier, Draft, FastDraft, 7 resident bar code fonts : Code 39, Code 128, EAN 8, EAN 13, Interleaved 2of 5, UPC-A, Postnet
<b>Features</b>	Intuitive 2 Layer Operator Panel Panel-selectable forms macro Bar codes Automatic Interface Switching Push/Pull Tractor, front-loading paper source Paper Feed Flexibility, variable forms-length settings Quiet mode
<b>Options</b>	Auto Sheet Feeder, Tractor 2, Serial Interface

**Print Technology**  
9-pin dot matrix

**Functions**  
Forms printing

**Print Speed**  
Up to 510 cps (Fast Draft at 12 cpi)

**Print Quality**  
240 x 144 dots per inch NLQ

**Memory**  
Up to 96 KB Receive Buffer

CONNECTIVITY	
<b>Standard</b>	USB Compatible with USB 2.0 Specification, Centronics IEEE 1284 Bidirectional Parallel
<b>Optional</b>	
<b>External Print Servers</b>	N4000e Fast Ethernet, N4050e 802.11g Wireless, MarkNet N7000e Fast Ethernet, MarkNet N7002e Fast Ethernet, MarkNet N7020e Gigabit Ethernet (4 ports) RS-232C Serial Interface Card
<b>Other Attachment Options</b>	IBM PPDS emulation with euro support
<b>Printer Languages</b>	Epson emulation
<b>Operating Systems Supported</b>	98, Me, NT, 2000, XP, Server 2003 OS/400 Please visit <a href="http://www.lexmark.com">www.lexmark.com</a> for a complete list of supported versions

Reliable dot matrix printers designed for quiet, high speed multi-part forms printing

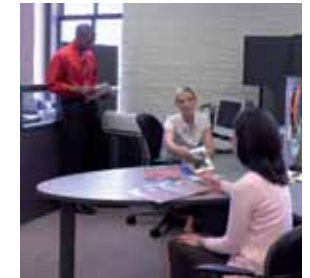
PHYSICAL SPECIFICATIONS	
<b>Dimensions (W x D x H)</b>	2480: 195 x 492 x 290 mm 2481: 195 x 634 x 290 mm
<b>Weights</b>	2480: 8 kg / 2481: 9.8 kg
<b>Acoustics/Noise Level</b>	53 dBA operating front mic. average, NLQ
<b>Power and Electrical Specifications</b>	220-240 V AC (50Hz)
<b>Environmental Features</b>	Energy Star compliant
<b>Printhead Life</b>	300 million characters at 14 dots/character
<b>Ribbon Average Yield</b>	4 million characters in draft 10 pitch mode
<b>Box Contents</b> (Country Dependent)	Lexmark 2480/81 Forms Printers 24xx Standard yield black re-inking ribbon Power cord Quick setup booklet User's guide Operator panel overlay Guarantee booklet

**SUPPLIES**  
Standard yield black re-inking ribbon  
High-yield black re-inking ribbon

SERVICES	
<b>Guarantee</b>	1 year on-site repair, response time next business day
<b>Service Offering</b>	Total 3 year guarantee pack on-site repair, response time next business day 1 year renewal guarantee on-site repair, response time next business day
<b>Optional Services</b>	Deinstallation service, trade-in of old products, hardware and software training

	DESCRIPTION		DESCRIPTION
<b>Narrow Carriage</b>		<b>Supplies</b>	
0012T0504	2480	0011A3540	Standard re-inking ribbon
<b>Wide Carriage</b>		0011A3550	High yield re-inking ribbon
0012T0534	2481	<b>Adapters and Cables</b>	
<b>Paper Handling</b>		001021231	10ft / 3m parallel cable
0012T0693	2480 series ASF (Narrow)	001021294	USB cable
0012T0694	2481 series ASF (Wide)	0012T0698	Serial interface option
0012T0695	2480 tractor 2 (Narrow)		
0012T0696	2481 tractor 2 (Wide)		
0012T0697	Cut-sheet output support stand		

**Models Available**  
Lexmark Forms Printer 2480: narrow carriage  
Lexmark Forms Printer 2481: wide carriage



Printer configuration	88 - 99
Connectivity-applications solutions	100 - 113
Compatibility	114 - 125
Supplies	126 - 135
Services	136 - 147



# Lexmark Forms Printer 2490/91



- Crisp, clear output with 24-pin printing technology
- Dependable multi-part form printing through a straight paper path
- Optional High-Yield re-inking ribbon produces up to 8 million characters



PAPER HANDLING	
<b>Paper Standard</b>	Front Tractor Feeder
<b>Paper Optional</b>	Automatic Sheet Feeder Tractor 2 2400 cut-sheet output stand
<b>Paper Path</b>	Continuous forms may be loaded in either push or pull modes with the movable tractor feed or fed through the bottom feed Automatic sheet feed option available which may be used in conjunction with continuous forms Tractor 2 feeder option allows simultaneous loading of two continuous forms and forms selections with the touch of a button
<b>Media Types Supported</b>	Cut forms, continuous forms, multi-part forms, single-part forms, envelopes, labels
<b>Forms Handling</b>	Front push/pull, bottom pull, rear push, convertible tractor, manual cut-sheet feed

PRINTING CAPABILITIES	
<b>Print Resolution</b>	360 x 360 dots per inch APA Graphics
<b>Print Line (Maximum)</b>	2490: 8 in. / 203,2 mm 2491: 13.6 in. / 345,4 mm
<b>Print Speed</b>	Up to 465 cps in Fast Draft at 12 cpi Up to 328 cps in Draft at 12 cpi Up to 109 cps in Near Letter Quality at 12 cpi
<b>Memory</b>	79,5 KB Receive Buffer (NLO Download Disabled) 47,5 KB Receive Buffer (NLO Download Enabled)
<b>Fonts Selection</b>	8 resident fonts : Gothic, Courier, Draft, FastDraft, Orator, Presenter, Prestige, Script. 7 resident bar code fonts : Code 39, Code 128, EAN 8, EAN 13, Interleaved 2of 5, UPC-A, Postnet
<b>Features</b>	Intuitive 2 Layer Operator Panel Panel-selectable forms macro Bar codes Automatic Interface Switching Push/Pull Tractor, front-loading paper source Paper Feed Flexibility, variable forms-length settings Quiet mode
<b>Options</b>	Auto Sheet Feeder, Tractor 2, Serial Interface

**Print Technology**  
24-pin dot matrix

**Functions**  
Forms printing

**Print Speed**  
Up to 465 cps (Fast Draft at 12 cpi)

**Print Quality**  
360 x 360 dots per inch APA Graphics

**Memory**  
Up to 79,5 KB Receive Buffer

CONNECTIVITY	
<b>Standard</b>	USB Compatible with USB 2.0 Specification, Centronics IEEE 1284 Bidirectional Parallel
<b>Optional</b>	
External Print Servers	N4000e Fast Ethernet, N4050e 802.11g Wireless, MarkNet N7000e Fast Ethernet, MarkNet N7002e Fast Ethernet, MarkNet N7020e Gigabit Ethernet (4 ports) RS-232C Serial Interface Card
Other Attachment Options	IBM PPDS emulation with euro support
<b>Printer Languages</b>	Epson emulation
<b>Operating Systems Supported</b>	98, Me, NT, 2000, XP, Server 2003
Microsoft Windows	OS/400
Others	Please visit <a href="http://www.lexmark.com">www.lexmark.com</a> for a complete list of supported versions

Reliable dot matrix printers designed for quiet, high speed multi-part forms printing

PHYSICAL SPECIFICATIONS	
<b>Dimensions (W x D x H)</b>	2490: 195 x 492 x 290 mm 2491: 195 x 634 x 290 mm
<b>Weights</b>	2490: 8 kg / 2491: 9.8 kg
<b>Acoustics/Noise Level</b>	53 dBA operating front mic. average, NLO
<b>Power and Electrical Specifications</b>	220-240 V AC (50Hz)
<b>Environmental Features</b>	Energy Star compliant
<b>Pinhead Life</b>	300 million strokes per wire
<b>Ribbon Average Yield</b>	8 million characters in draft 10 pitch mode
<b>Box Contents</b> (Country Dependent)	Lexmark 2490/91 Forms Printers 24xx Standard yield black re-inking ribbon Power cord Quick setup booklet User's guide Operator panel overlay Guarantee booklet

SUPPLIES	
	Standard yield black re-inking ribbon
	High-yield black re-inking ribbon

SERVICES	
<b>Guarantee</b>	1 year on-site repair, response time next business day
<b>Service Offering</b>	Total 3 year guarantee on-site repair, response time next business day 1 year renewal guarantee on-site repair, response time next business day
<b>Optional Services</b>	Deinstallation service, trade-in of old products, hardware and software training

	DESCRIPTION		DESCRIPTION
<b>Narrow Carriage</b> 0012T0564	2490	<b>Supplies</b> 0011A3540 0011A3550	Standard re-inking ribbon High yield re-inking ribbon
<b>Wide Carriage</b> 0012T0604	2491	<b>Adapters and Cables</b> 001021231 001021294 0012T0698	10ft / 3m parallel cable USB cable Serial interface option
<b>Paper Handling</b> 0012T0693 0012T0694 0012T0695 0012T0696 0012T0697	2490 series ASF (Narrow) 2491 series ASF (Wide) 2490 tractor 2 (Narrow) 2491 tractor 2 (Wide) Cut-sheet output support stand		

**Models Available**

Lexmark Forms Printer 2490: narrow carriage

Lexmark Forms Printer 2491: wide carriage



Printer configuration	88 - 99
Connectivity-applications solutions	100 - 113
Compatibility	114 - 125
Supplies	126 - 135
Services	136 - 147





# Lexmark Forms Printer 4227 plus



- Rugged, heavy-duty printer for continuous unattended use
- Dependable multi-part form printing through a straight paper path
- Blazing print speed of up to 720 characters per second



PAPER HANDLING	
<b>Paper Standard</b>	Front Tractor Feeder
<b>Paper Optional</b>	Automatic Sheet Feeder Tractor 2
<b>Paper Path</b>	Continuous Forms are loaded in the tractor feed. Cut-sheets / envelopes / forms can be loaded in the front manual cut sheet tray Tractor 2 feeder option allows simultaneous loading of two continuous forms and forms plus cut sheets and forms selections with the touch of a button
<b>Media Types Supported</b>	Cut forms, continuous forms, multi-part forms, single-part forms, envelopes, labels
<b>Forms Handling</b>	Front/straight paper path, automatic tear-off, automatic paper loading/unloading, up to eight-part continuous forms, auto-gap printhead

PRINTING CAPABILITIES	
<b>Print Resolution</b>	240 x 144 dots per inch NLQ
<b>Print Line (Maximum)</b>	13.6 in. / 345.4 mm
<b>Print Speed</b>	Up to 720 cps in Fast Draft Up to 600 cps in Draft Up to 150 cps in Near Letter Quality
<b>Memory</b>	60 KB Receive Buffer
<b>Fonts Selection</b>	4 resident fonts : Gothic, Courier, Draft, FastDraft, 7 resident bar code fonts : Code 39, Code 128, EAN 8, EAN 13, Interleaved 2of 5, UPC-A, Postnet
<b>Features</b>	User-friendly LCD operator panel Bar codes Automatic Interface Switching Push/Pull Tractor Variable forms-length settings Push-button font selection Automatic forms thickness sensing, Form jam sensor
<b>Options</b>	Auto Sheet Feeder Tractor 2 Serial Interface

**Print Technology**  
9-pin dot matrix

**Functions**  
Forms printing

**Print Speed**  
Up to 720 cps (Fast Draft)

**Print Quality**  
240 x 144 dots per inch NLQ

**Memory**  
60 KB Receive Buffer

CONNECTIVITY	
<b>Standard</b>	Centronics IEEE 1284 Bidirectional Parallel, RS-232C Serial Interface Card
<b>Optional</b>	MarkNet N7002e Fast Ethernet
<b>External Print Servers</b>	IBM PPDS emulation with euro support
<b>Printer Languages</b>	Epson emulation
<b>Operating Systems Supported</b>	98, Me, NT, 2000, XP, Server 2003 OS/400 Please visit <a href="http://www.lexmark.com">www.lexmark.com</a> for a complete list of supported versions

High speed and performance for a real business advantage.

**Model Available**  
Lexmark Forms Printer 4227 plus

PHYSICAL SPECIFICATIONS	
<b>Dimensions (W x D x H)</b>	275 x 619 x 287 mm
<b>Weight</b>	16.5 kg
<b>Acoustics/Noise Level</b>	55.5 dBA in courier mode
<b>Power and Electrical Specifications</b>	220-240 V AC (50Hz)
<b>Environmental Features</b>	Energy Star compliant
<b>Printhead Life</b>	400 million characters
<b>Ribbon Average Yield</b>	15 million characters in draft mode
<b>Box Contents (Country Dependent)</b>	Lexmark Forms Printer 4227 plus Power cord Quick reference card Operator panel overlay User's guide WEEE booklet Guarantee booklet

SUPPLIES	
4227 plus ribbon	

SERVICES	
<b>Guarantee</b>	1 year on-site repair, response time next business day
<b>Service Offering</b>	Total 3 year guarantee on-site repair, response time next business day 1 year renewal guarantee on-site repair, response time next business day
<b>Optional Services</b>	Deinstallation service, trade-in of old products, hardware and software training



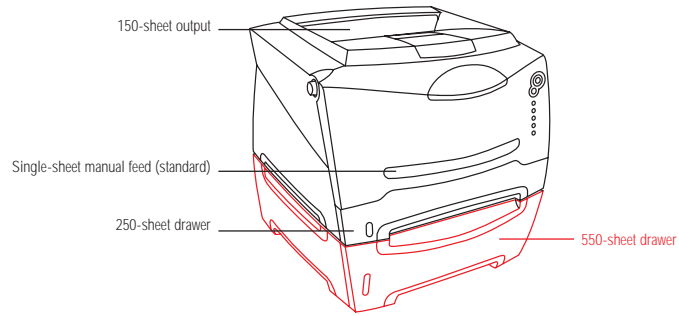
Printer configuration	88 - 99
Connectivity-applications solutions	100 - 113
Compatibility	114 - 125
Supplies	126 - 135
Services	136 - 147

	DESCRIPTION		DESCRIPTION
0013L0184	Lexmark Forms Printer 4227 plus	<b>Supplies</b> 0013T0034	4227 Series printer ribbon
<b>Paper Handling</b> 0012T0694 0013L0210	Auto Sheet Feeder Tractor 2 (Dual tractor)	<b>Adapters and Cables</b> 001021231	10ft / 3m parallel cable

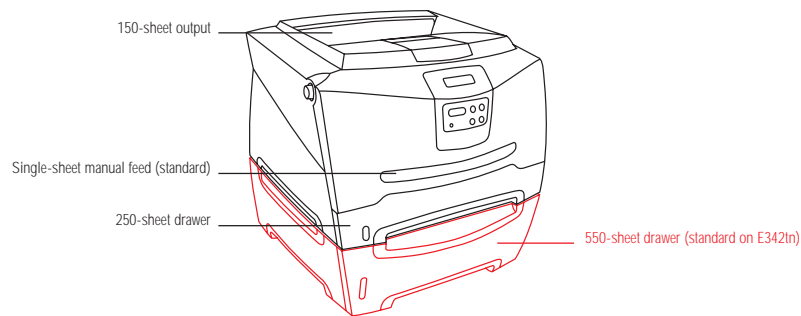




# Lexmark E240/E240n

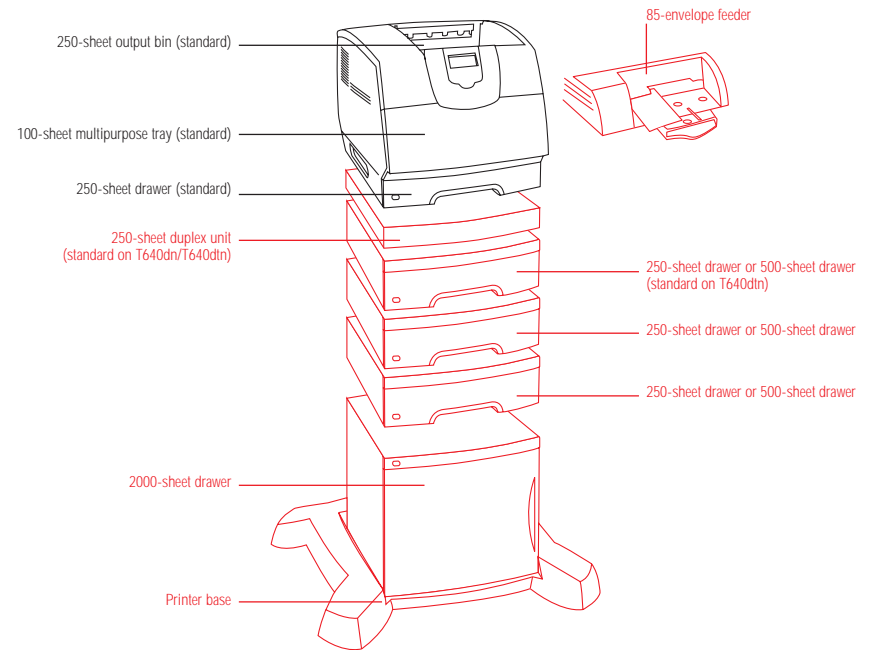


# Lexmark E340/E342n

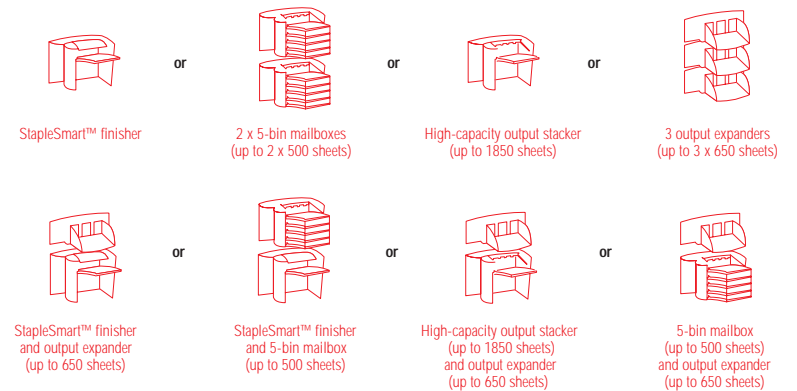


Standard  
Optional

# Lexmark T640

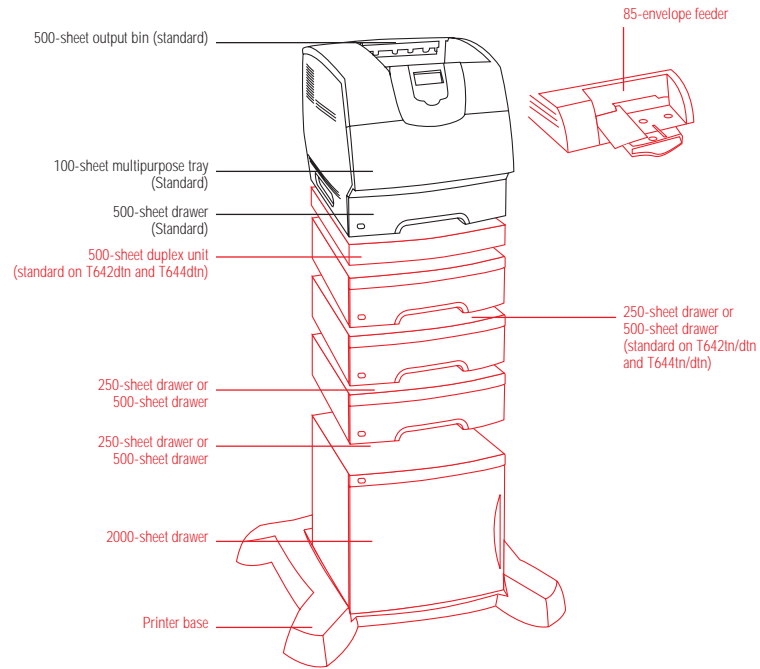


## MAXIMUM OUTPUT CONFIGURATIONS

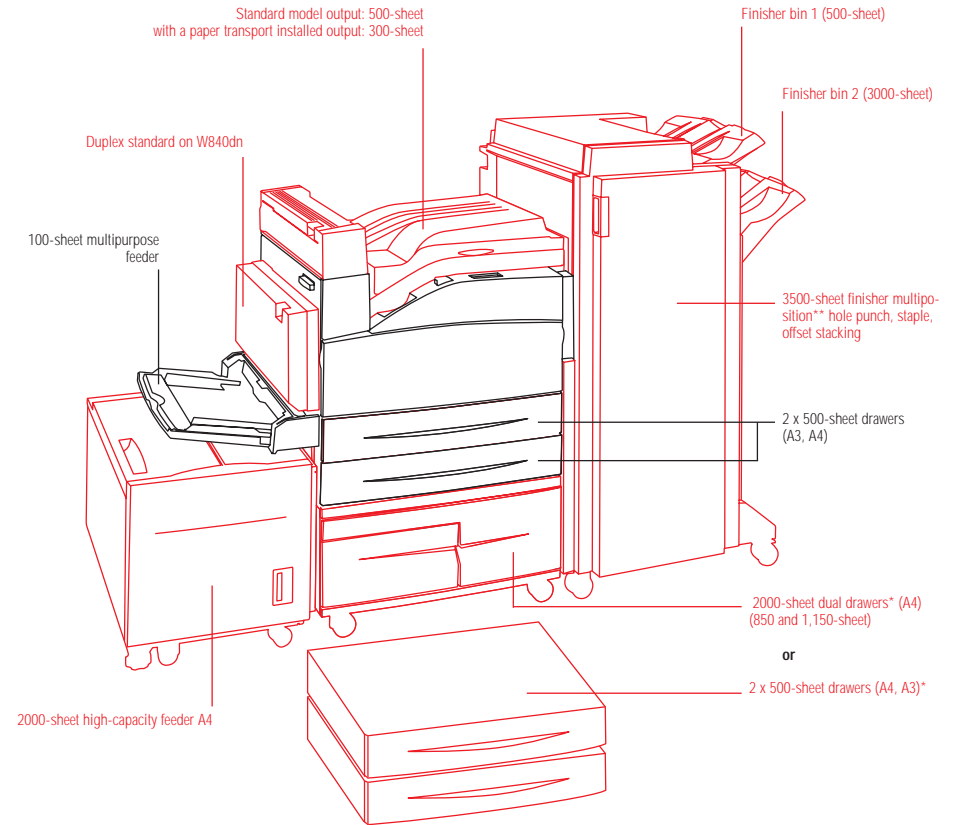


Standard  
Optional

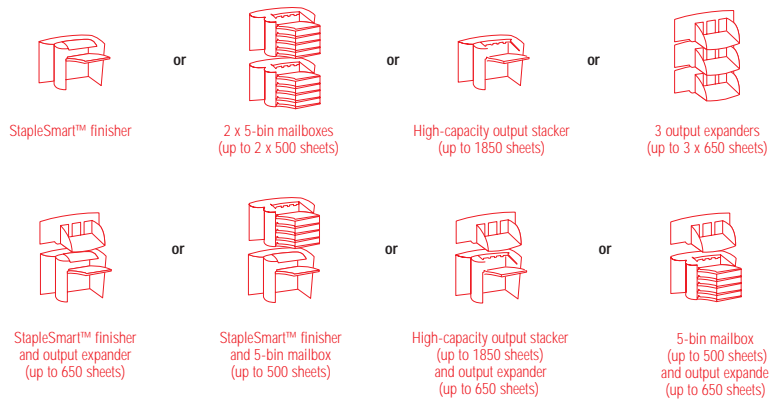
# Lexmark T642/T644



# Lexmark W840



## MAXIMUM OUTPUT CONFIGURATIONS

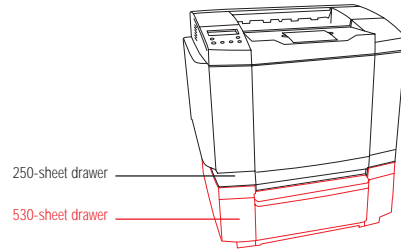


\* To install the side 2000-sheet high cap feeder, you need to have the 2000-sheet dual drawers installed or 2 x 500-sheet drawer  
 \*\* To install the 3500 finisher, you need to have the 2000-sheet dual drawers installed or 2 x 500 sheet drawer + the duplex unit.

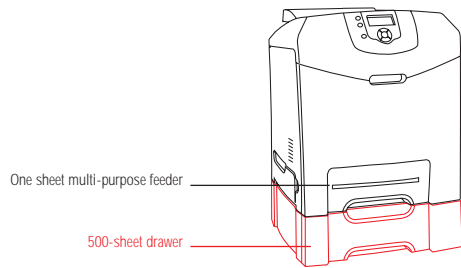
Standard  
 Optional

Standard  
 Optional

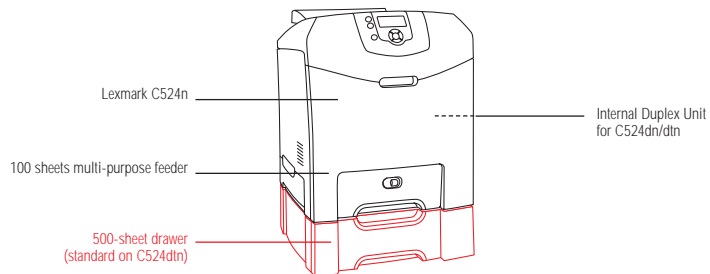
## Lexmark C500n



## Lexmark C522n

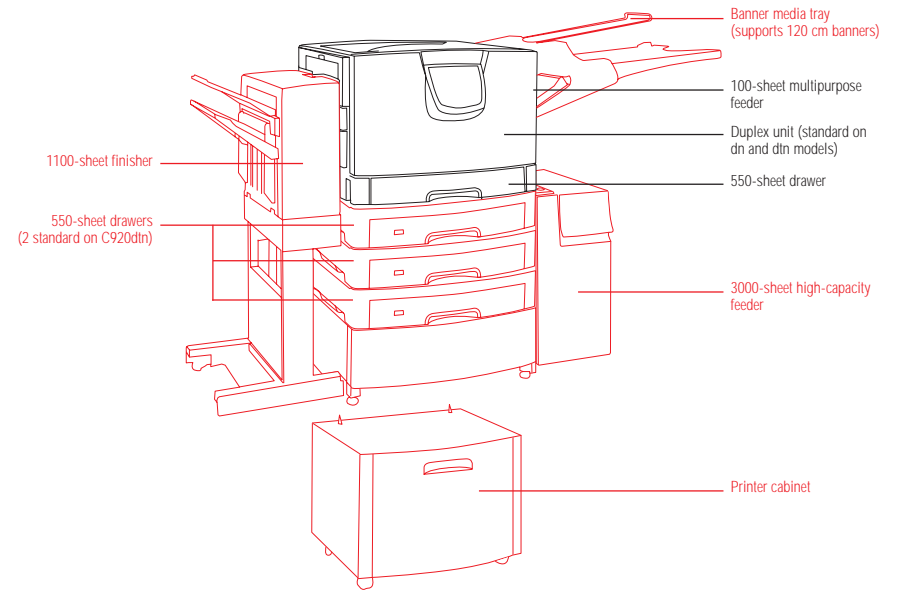


## Lexmark C524n

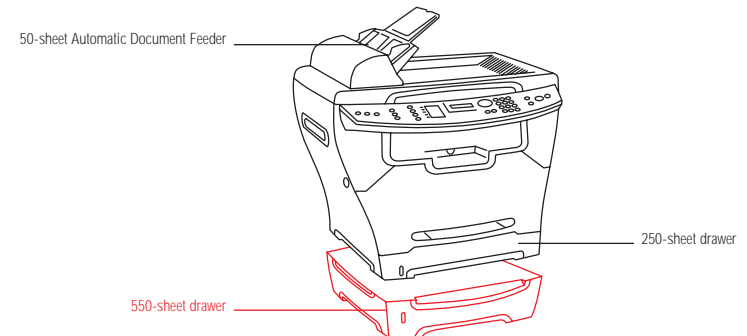


■ Standard  
■ Optional

## Lexmark C920

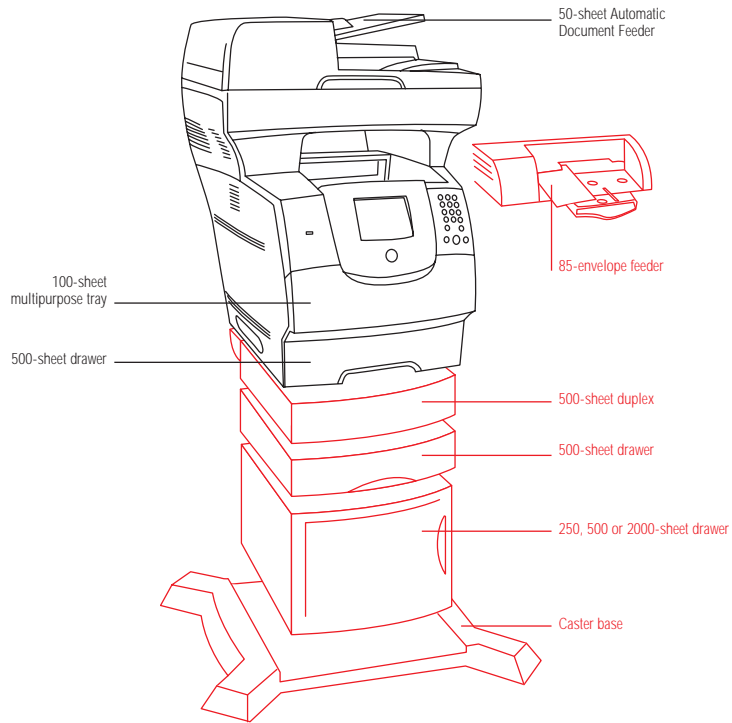


## Lexmark X340/X342n



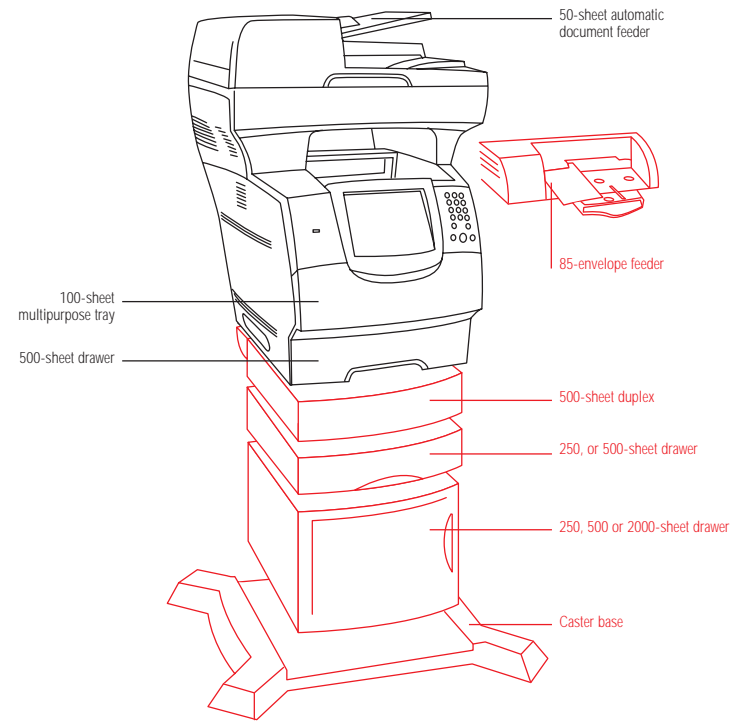
■ Standard  
■ Optional

# Lexmark X642e



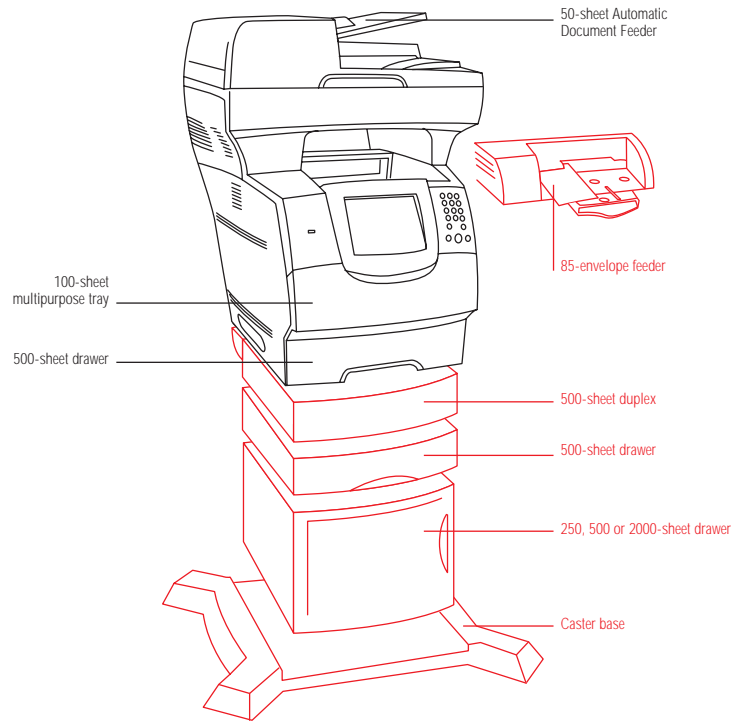
Standard  
 Optional

# Lexmark X644e



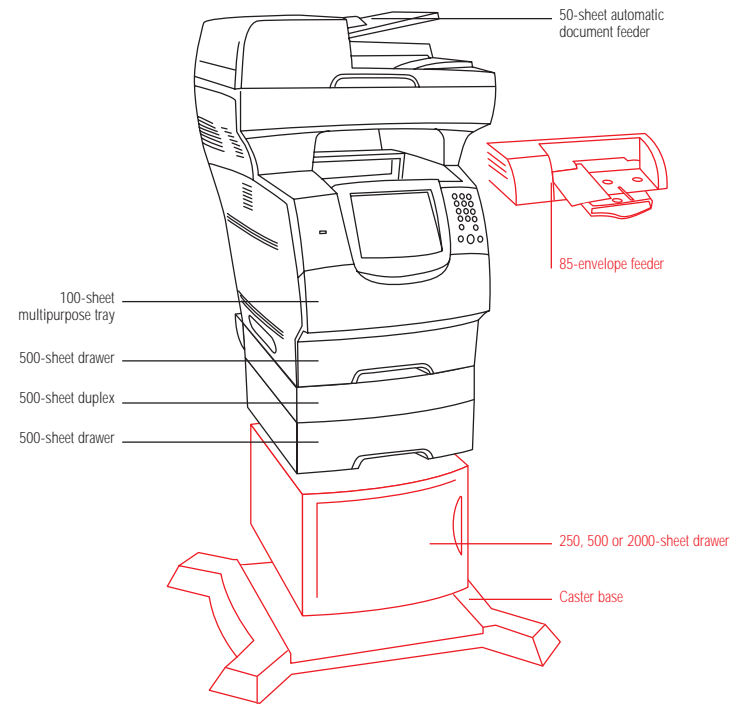
Standard  
 Optional

# Lexmark X646e



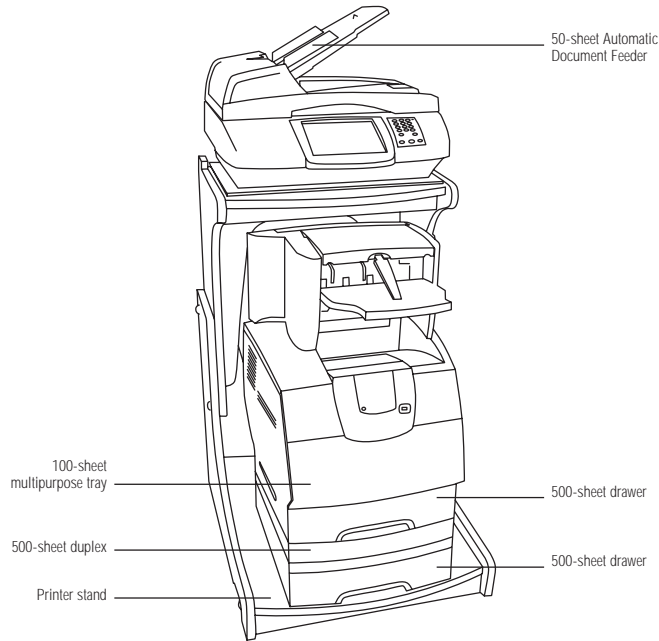
Standard  
 Optional

# Lexmark X646dte



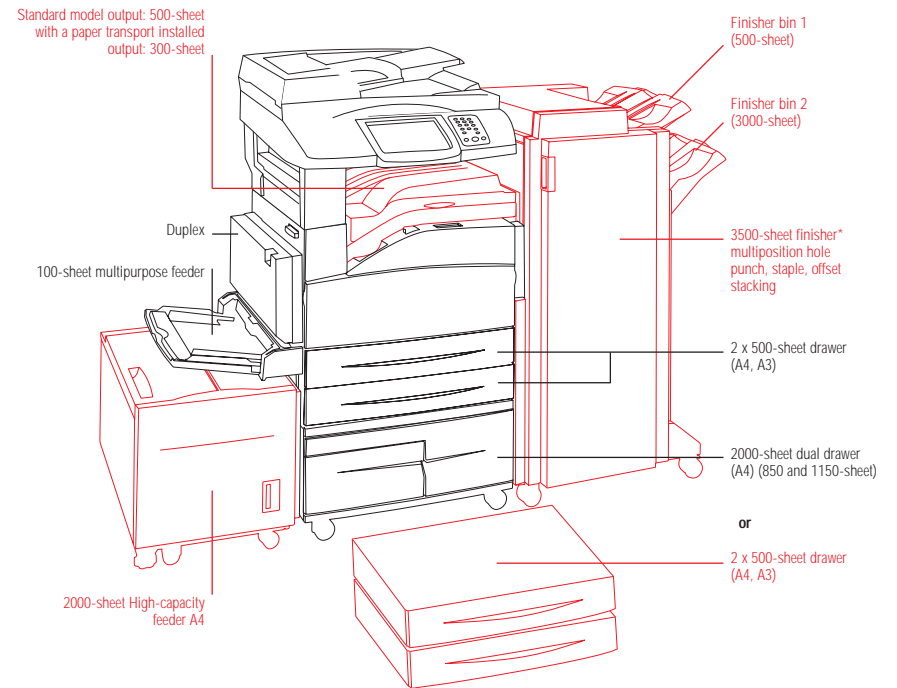
Standard  
 Optional

# Lexmark X646ef



Standard  
 Optional

# Lexmark X850e/X852e/X854e



Standard  
 Optional



## Electronic Forms, Easy and Effective

### Cost savings

- No more preprinted forms
- Reduced storage costs
- Maximise printer investment
- No dedicated server required

### Simple powerful design

- Merge programme in printer
- Reduced network traffic
- Forms archive and retrieval
- Central forms management

### Increase productivity

- Instant updates of forms
- High-quality forms

### Superior compatibility

- No application changes
- Host independent
- Embedded bar code support
- SAP R/3 RDI support.

### Eliminate costly, preprinted forms

Forms Card is an easy-to-use, electronic forms package that makes it possible to print forms on demand. Forms Card maximises printer investment with the use of electronic forms.

Preprinted forms are expensive to produce, store and handle, plus they can quickly become obsolete, forcing businesses to destroy and reprint them. Forms Card eliminates the need to buy preprinted forms and cuts storage and handling costs. Forms are created and printed as they are needed.

Additionally, forms can be updated with information such as new phone numbers, made available instantly to users.

### Easily integrate electronic forms into your business

Forms Card is one of the simplest way of integrating electronic forms into your workplace. It works with any host or network system. Since it generally requires no changes to host applications and as no server or host-based merge programme is necessary, you will find the integration extremely smooth. What's more, because forms are stored at the printer (and merged there), network traffic is reduced and through put is improved.

### A simple approach to high-quality electronic forms

Forms Card has an easy-to-use design programme, Forms Composer to create forms. Lexmark Forms Manager(1) allows downloading of the form to the printer's flash or hard disk memory option. Once the electronic form is designed and in the printer, data can be sent directly from your host computer (mainframe, mid-range, PC, etc.) and Forms Card will automatically merge the data with the correct form design and print the completed form. High-quality forms quickly and efficiently.

### Productivity enhancing integration

Finally, Lexmark Data Transformer(1) lets you complement and work with Forms Card to give you better control of printing function attributes and data to Forms Card output, for instance sending it to several printers at once. Lexmark Data Transformer(1) will let you manage your output more efficiently with, for instance, fax output via a MultiFunction printing device.

For users requiring bar code printing, extensive bar code support is provided natively in the Forms Card DLE. And Forms Card will also accept and process SAP RDI output.

Forms Card™ is an affordable, compatible and easy-to-implement forms solution designed for fast, high performance printing. Forms Card will help businesses eliminate pre-printed form costs while providing forms that can carry a powerful marketing image directly to their customers.

### SOFTWARE REQUIREMENTS

Forms Composer, Forms Manager and Data Transformer are compatible with the following operating systems

#### V3.3 Component

<b>Forms Composer</b>	Data Transformer, Windows XP Professional SP1, Windows XP Professional SP2
<b>Forms Manager</b>	Windows 2000 Professional SP4, Windows XP Professional SP1, Windows XP Professional SP2
<b>Data Transformer</b>	Windows 2000 Server SP4, Windows Server 2003 Standard Edition

### MINIMUM SYSTEM REQUIREMENTS

Pentium processor based personal computer  
32 MB of RAM  
CD ROM drive  
128 MB of available hard drive space

### MINIMUM PRINTER REQUIREMENTS

The following is required for use the Forms Card product :

A Forms Card DLE providing the merging software and an additional storage memory (Flash memory or Hard disk) to store the electronic template of the forms.

### BAR CODES AVAILABLE

Mono-dimensional : 3 of 9, Code 39, Code 93, Codabar, 2 of 5, EAN/JAN-8, EAN/JAN-13, HIBC128, ISBN, ISSN, ITF14, JIS-S-UCC, MSI, Postnet 5, Postnet 9, Postnet 11, RSS, UCC-EAN 128, UPC-A, UPC-E, USS 128, UCC 128, Planet, Bi-dimensional : Aztec, Codablock F, DataMatrix, EAN/UCC Composite, Maxicode, MicroPDF417, PDF417, QR

### ORDERING INFORMATION

#### FORMS DESIGN AND MANAGEMENT SOFTWARE

Lexmark Forms Composer(2)  
Lexmark Forms Manager(2)  
Lexmark Data Transformer(2)

#### Forms Cards DLE

Lexmark T430	0026H0399
Lexmark T63x, X63x	0010G0159
Lexmark T64x	0020G0742
Lexmark X642e	0022G0627
Lexmark X644e, X646e, X646dte	0022G0353
Lexmark W840	0025A0037
Lexmark X85xe	0015R0094
Lexmark C510	0020K1268
Lexmark C524	0018B0144
Lexmark C752/L	0015G3203
Lexmark C76x, X76x	0016N3210
Lexmark C920	0013N1345

### STILL AVAILABLE OPTRA FORMS SOLUTIONS

#### FORMS DESIGN AND MANAGEMENT SOFTWARE

Lexmark Optra Forms	0011N0040
Lexmark Optra Forms Director	0011N0052
Lexmark Optra Forms Management	0011N0056
Lexmark 2-Key Security	0043H5841

#### Flash Memory

2 MB PN:	E322, E323, M41x, T420d, T52x, T61x, T62x,
005K00215	W81x, W820, X820e, X83xe, C710, C720
16 MB PN:	E322, E323, M41x, T420d, T52x, T61x, T62x,
005K00218	W81x, W820, X820e, X83xe, C710, C720
16 MB PN:	E330, E332n, T430, X422, T63x, C510,
0010G0747	C752, C752L, C76x
16 MB PN:	C750, C91x, X912e
0012P0083	
32 MB PN:	E330, E332n, T430, X422, T63x, C510,
0010G0748	C752, C752L, C76x

#### Hard Disk Optra Forms

0010G0749	C510, T63x
0011K3928	T52x, T62x, W812, W820, X83xe
0012P0086	C75x, C76x, C91x

(1) Lexmark Forms Composer, Lexmark Forms Manager and Lexmark Data Transformer, are to be used by Lexmark Certified Solution Providers. For more information, please contact your local sales representative. (2) To be used only with Forms Cards DLE. Please, contact your Lexmark sales representative or get in touch with Lexmark's Certified Solution Providers to analyse, implement and managed your migration from hardcopy forms to electronic format. (3) Printer's Flash Memory or Hard Disk need also to be installed in Lexmark printers or MFPs. (4) NA: Not Available. Please contact Lexmark Sales Representative

# Bar Code Application Solution



This Lexmark bar code Application Solution supports PCL and PostScript command access for more than 47 industry standard one-and two-dimensional bar codes.

## The Complete Bar Code Solution for Business

### Bar code Application Solution

- Multiple 1-D and 2-D bar codes
- OCR-A and OCR-B as scalable and bitmap fonts
- FREESCAPE emulation alternate escape code feature

### Compatible with SAP R/3 Visual bar code creation

- Visual bar code Designer application provided
- Generate bar code data quickly and easily

### Flexible

- Independently scalable bar heights and widths
- Capability to embed text with selectable positioning
- Data format verification and error reporting
- Automatic bar code data compression

### Professional quality bar codes

The Lexmark bar code Application Solution supports 47 industry standard one and two-dimensional bar codes. Bar Codes are generated in the printer for better quality and can be combined with other applications, such as SAP R/3 or Lexmark Optra Forms.

### Bar code design made simple

The Lexmark Visual bar code Designer software allows programmers to save hours by visually choosing the bar code type and characteristics they want. The exact PCL escape sequences or PostScript commands needed to create the bar code in the host application are provided.

### SAP R/3 device type

The Bar Code Card or SIMM provides SAP R/3 customers with an intelligent, trouble-free solution requiring no additional fonts or software on the server. The supplied device type for SAP R/3 allows utilisation of all functions of the bar code option.

### FEATURES SUPPORTED

- Visual bar code Designer application that eliminates trial and error to create the correct commands for a specific bar code in PostScript and PCL
- Support for the new International Printing for mySAP Business Suite font, Andale WorldType in UNICODE 3.0 UTF-8 format.
- PCL and PostScript command access for bar codes in applications
- FREESCAPE emulation alternate escape code feature
- Independently scalable bar heights and widths
- Capability to embed text with selectable positioning
- Data format verification and error reporting
- Automatic bar code data compression (when required)
- Automatic bar code checksum calculation and character placement (when required)
- Automatic placement of special characters (prefix, start/stop, guard bars, etc., when required)
- Selectable fonts and automatic scaling
- Automatic text printing with selectable placement
- Bar code 3 of 9 standard in Lexmark T430, T63x, X63x, C76x and X762e products

### ORDERING INFORMATION

#### CURRENT

Lexmark T64x	0020G0737
Lexmark X642e	0022G0626
Lexmark X644e, X646e, X646dte	0022G0350
Lexmark W840	0025A0036
Lexmark X85xe	0015R0091
Lexmark C524	0018B0140
Lexmark C920	0013N1340

#### SUPPORTED

Lexmark T430	0026H0395
Lexmark T52x/T62x/X52x/X620	0011K3800
Lexmark T63x / X63x MFP	0010G0145
Lexmark W812	0014K0072
Lexmark W820 / X820e / X83xe	0019E0121
Lexmark C510	0020K1231
Lexmark C752 / X752e	0015G3201
Lexmark C76x	0016N3201
Lexmark C912, X912e	0012N1251

### SAP R/3 DEVICE TYPES SETTINGS

#### Adjustable settings in the SAP R/device type includes

Resolution	300 dpi, 600 dpi, 1200 dpi	Multi-up Printing	Off, 2-up, 3-up, 4-up, 6-up, 9-up
Image Quality	Toner Saver, PQET: Off, On	Lexmark W810,	Stapling, offset stacking, W840, T62x, T63x hole punch (not for T62x)
Print Darkness	5 settings from light to dark		
In/out destination	All input trays, all output bins		
Duplex Printing	Long edge, short edge		

### 1 DIMENSIONAL BAR CODES

- Australian Postal 4-State bar code
- British Royal Mail 4-State Bar Customer Code Symbol (RM4SCC)
- Codabar
- Codabar + mod16 check digit
- Code 128 A, Code 128 B, Code 128 C
- Code 128 autoswitch
- Code 3 of 9
- Code 3 of 9 + check digit
- Code 3 of 9 extended
- Code 3 of 9 extended + check digit
- Code 93, Code 93 extended
- Danish PTT 3 of 9,
- Dutch Postal 4-State bar code
- EAN/JAN-13
- EAN/JAN-13 + 2-digit supplemental
- EAN/JAN-13 + 5-digit supplemental
- EAN/JAN-8
- EAN/JAN-8 + 2-digit supplemental
- EAN/JAN-8 + 5-digit supplemental
- French Postal 3 of 9 A/R
- German Postal 2 of 5 Identcode
- German Postal 2 of 5 Leitcode
- Industrial 2 of 5
- Industrial 2 of 5 + check digit
- Interleaved 2 of 5
- Interleaved 2 of 5 + check digit
- ISBN, ISBN+5, ISSN, ISSN+5, ISSN+2
- Japan Postal 4-State bar code
- Matrix 2 of 5
- Matrix 2 of 5 + check digit
- MSI (Plessey)
- MSI + mod10 + mod10 check digits
- MSI + mod11 + mod10 check digits
- MSI, MSI + mod10 check digits
- POSTNET 11-digit Delivery Point Code
- POSTNET 5-digit ZIP Code
- POSTNET 9-digit ZIP + 4 Code
- Singapore Postal 4-State bar code for customer Encoding
- Swiss postal bar code
- UCC 128, EAN 128
- UPC-A
- UPC-A+2-digit supplemental
- UPC-A+5-digit supplemental
- UPC-E
- UPC-E+2-digit supplemental
- UPC-E+5-digit supplemental
- US Postal Service - Face Indicator Marking (FIM)
- USPS Expanded POSTNET
- USPS sack label, 8-digit 2 of 5
- USPS tray label, 10-digit 2 of 5

### 2 DIMENSIONAL BAR CODES

PDF 417	UPS MaxiCode
---------	--------------

### BAR CODE RELATED FONTS

Letter Gothic	Scalable	EAN/UPC 13 mil	Bitmap
Code 3 of 9 - 4.69 pitch	Bitmap	USPS POSTNET	Bitmap
OCR-A	Bitmap	Euro and other currency symbols	Scalable
OCR-A	Scalable	Electrical symbols	Scalable
OCR-B	Scalable	Manufacturing symbols	Scalable
Code 3 of 9 - 8.11 pitch	Bitmap	Line Draw	Bitmap
EAN/UPC 10 mil	Bitmap		

# PrintCryption™ Application Solution



## High-level Security Protection for Business

Provides a higher level of security with minimal administrator support

Strengthens security for proprietary and confidential information when transmitted over a TCP/IP network

Supports secure key management protocols with session keys or persistent keys

Ideal for businesses handling sensitive or personal information, such as financial institutions, government agencies and healthcare organisations

AES encryption meets FIPS-197 requirements (Federal Information Processing Standard)

Lexmark has extended its technology leadership with the introduction of the Lexmark PrintCryption™ Application Solution designed to protect sensitive information as it is printed. The new Lexmark PrintCryption™ Application Solution delivers encryption and decryption capabilities for secure printing to Lexmark network printers. This new level of printing security is ideal for businesses handling highly confidential, personnel, financial, medical, technical or propriety business information.

### Product overview

The PrintCryption™ Solution provides corporate environments with strengthened printing security.

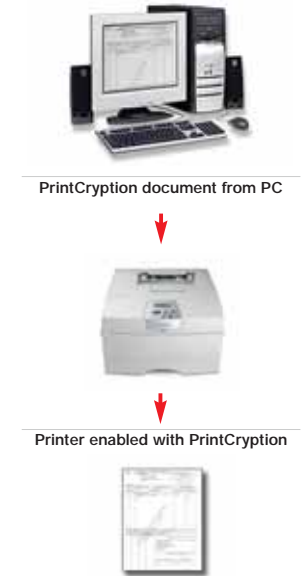
The new Lexmark PrintCryption™ Solution works with software from Levi, Ray and Shoup, Inc. (LRS), VPS/TCPIP 8.0 or later and VPS/Secure 8.0 or later, to provide encrypted, end-to-end print job security between common mainframe and Windows systems and wired or wireless Lexmark network printers.

A command line utility (DCP) is used to encrypt print jobs for Linux, Sun Solaris, HP-UX and IBM AIX.

### Compatibility

The Lexmark PrintCryption™ Application Solution provides support for the Advanced Encryption Standard (Rijndael algorithm). The printer must be connected to the TCP/IP network using the standard Ethernet connection in the network printer models. Unique TCP/IP port numbers are used for the encrypted print information. The card decrypts and prints the information appropriate for the port.

The PrintCryption™ Application Solution for Lexmark multi-function devices and network printers is designed to provide security for proprietary and confidential documents.



### ORDERING INFORMATION

#### CURRENT

Lexmark T64x	0020G0740
Lexmark X642e	0022G0628
Lexmark X644e, X646e, X646dte	0022G0352
Lexmark X85xe	0015R0093
Lexmark W840	0025A0034
Lexmark C524	0018B3035
Lexmark C920	0013N1343

#### SUPPORTED

Lexmark T430	0026H0397
Lexmark T52x/T62x/X52x/X620	0011K4400
Lexmark T63x / X63x MFP	0010G0149
Lexmark X912e	0012N1253
Lexmark W812	0014K0076
Lexmark W820, X820e / X83xe	0019E0123
Lexmark C510	0020K1232
Lexmark C752 / X752e	0015G3204
Lexmark C76x / X762e	0016N3204
Lexmark C912	0012N1253

### PACKAGE CONTENTS

- Lexmark PrintCryption™ Card
- Installation instruction sheet (French, German, Italian, Spanish, English and Portuguese)

- CD-ROM with the license agreement, README in PDF format and encryption software. Use selected UNIX and Windows system environment.
- Encryption software is included to secure and support print data sent from supported systems Sun Solaris (7, 8, 9), Linux (Red Hat 7, 8, Caldera 3.1, SuSE 8), Microsoft Windows (98, Me, NT 4.0, 2000 and XP), \*Apple Mac OS X, HP-UX 10, 11, and \*IBM AIX 4.3, 5.0.

### EXPORT RESTRICTIONS

These products have been classified by the US Bureau of Industry and Security under ECCN 5D002 (c.1) as retail PrintCryption items exportable to certain countries under License Exception ENC, Section 740.17 (b) (3) of the Export Administration Regulations. These products are subject to U.S. export control laws and may be subject to export or import regulations in other countries. Licenses and approvals to export, re-export, or import this product may be required after delivery.

These products may not be exported or re-exported to any countries (or any nationals of such countries) that support international terrorism, including, but not limited to, Cuba, Iran, Iraq, Libya, North Korea, Sudan and Syria. These products may not be exported for use in the design, development, production or use of nuclear, biological or chemical weapons.

# IPDS and SCS / TNe Application Solution



## Affordable, Flexible Host-Based Printing

### AFP/IPDS or SCS printing over TCP/IP

### Supported in both mono and colour laser printers

### Concurrent support for multiple datastreams

### Supports resident scaleable fonts

### Emulation of common IBM IPDS and SCS printers

### Provides traditional coax or twinax printing if needed

### The Affordable Application Solution

Lexmark Application Solution for IPDS and SCS/TNe is an inserted card that provides customers a way to print all types of output, host-based or client-based, on their network-attached Lexmark laser multifunction device or printer. With the Lexmark Card for IPDS and SCS/TNe businesses can use their multi-function devices and printers for both network printing and for IBM AS/400 or mainframe jobs. Printing bar codes, forms, publications and graphics can be done with ease. Now enterprises can realise the cost and time savings associated with true distributed printing.

### Assured Compatibility

The Lexmark Application Solution for IPDS and SCS/TNe option for network-attached multifunction devices and printers provides IBM IPDS or SCS printer emulation. Without any changes to host applications or software, businesses will be able to direct their legacy output (AFP/IPDS or SCS) across your LANs using today's popular TCP/IP protocol. The solution is also compatible with IBM mainframe or IBM AS/400 applications that generate SCS (LU1) output or with applications that output AFP/IPDS through Print Services Facility (PSF).

### Configuration Freedom

Maximise investment and productivity by locating your Lexmark multifunction device or printer whenever you need it, while maximising productivity. Thanks to Lexmark's SmartSwitch auto-emulation sensing built into almost all Lexmark printers, printers will automatically switch to the proper document language, whether it is SCS, IPDS, PostScript or PCL emulation.

### Easy Network Attachment

With Lexmark's Card option, customers can easily migrate from coax or twinax cable connections to Ethernet. To help in the process, Lexmark provides customers a range of both internal and external print servers and adapters for use on Fast Ethernet, 802.11g Wireless, Fibre, and Token Ring networks. For those needing a traditional connection, the Coax/Twinax Adapter for SCS is also available.

The application solution designed for AFP/IPDS or SCS printing over TCP/IP to Lexmark network laser multifunction devices and printers.



### ORDERING INFORMATION

#### CURRENT

Lexmark T64x	0020G0738
Lexmark X644e, X646e, X646dte	0022G0351
Lexmark X85xe	0015R0092
Lexmark W840	0025A0032
Lexmark C920	0013N1341

#### SUPPORTED

Lexmark T430	0026H0396
Lexmark T63x, X63x MFP	0010G0147
Lexmark X912e	0012N1729
Lexmark W820, X820e, X83xe	0019E0122
Lexmark W812	0014K0071
Lexmark C76x	0016N3202
Lexmark C912	0012N1729

### COAX/TWINAX ADAPTER

#### CURRENT

Lexmark T64x	0014S0240
Lexmark X85xe, X64x	0014S0240
Lexmark W840	0014S0240

#### SUPPORTED

Lexmark T63x, X63x MFP	0014S0240
Lexmark W820, X820e, X83xe	0014S0240
Lexmark C912	0014S0240
Lexmark W812	0014S0240
Lexmark X912e	0014S0240

### MEMORY REQUIREMENTS

6MB minimum

### NETWORK ATTACHMENT

#### Hardware

- Standard Ethernet (100BaseTX/10BaseT)
- Network printer port
- MarkNet N2000, N2100, N8000 series of network print servers
- MarkNet X2000 (AFP/IPDS only)

#### Software for AFP/IPDS Printing over

- TCP/IP PSF/MVS V2.2 or later
- PSF/MVS V3.1 or later
- PSF/VSE Version 2.2 with APAR/PTF: DY45247/UD51162
- PSF/VM Version 2.1 with APAR PO39895 (PTF UO45995)
- IBM iSeries or AS/400 OS/400 V3R1, V3R2, V3R6, V3R7, V4R1, V4R2, V4R3, V4R4, V5R1, V5R2 or later through PSF
- PSF for OS/2 (PSF/2) 2.0
- PSF for AIX (PSF/6000) 2.1 or later

#### Software for SCS LU1 Printing using a Gateway and TCP/IP

If TN3270E or TN5250 capable SNA gateway software supports the TN3270E or TN5250 protocol according to RFC 2355, then a TN3270E or TN5250 session can be used to print SCS jobs directly from a mainframe or AS/400 TN3270E or TN5250 session can be used to print SCS jobs directly from a mainframe or AS/400

#### Software for SCS LU1 Printing over TCP/IP

- IBM iSeries or AS/400 for TN5250E SCS LU1 printing as an IBM 3812-01 printer: IBM iSeries or AS/400 OS/400 V3R7 or later with all PTFs applied
- IBM Mainframe for TN3270E SCS (LU1) printing as an IBM 3287 printer: IBM Communications Server (CS) for OS/390 Version 2 Release 5 or later on ESA systems
- TCP/IP for MVS Version 3 Release 2 or later
- TCP/IP for VM/ESA Version 2 Release 4 or later (function level 310 or later)
- TCP/IP for VSE/ESA V1 R3 or later using General Print Server Feature
- Using Cisco 7500 Series Routers

### DIRECT TWINAXIAL ATTACHMENT(1)

#### Hardware

- IBM 3174 Control Unit
- ES/9000 Work Station Subsystem Controller Software

#### Any application or host software that generates the data stream for one of the emulated printers such as:

- PSF/MVS V2.2 or V3.1 or later
- PSF/VSE V2.2.1, 2.2.0

- PSF/VM V2.1.1, 2.1.0 (with maintenance)
- VTAM Printer Support R70 or later (VPS, VPS/IPDS Levi, Ray and Shoup software)
- GDDM V2.3 with APAR
- RSCS V3.2 or later

### DIRECT COAXIAL ATTACHMENT(1)

#### Hardware

- IBM iSeries or AS/400e servers, e-systems or Twinaxial Workstation Controllers
- 5494 or 5394 Remote Control Unit

#### Software

- AS/400 PSF/400 V3R1 to V5R2
- AS/400 OS/400 V3R1 to V5R2
- AS/400 OS/400 V3R6 with System Support Program (SSP) Release 7.5(2)
- AS/400 SSP Release 7.1(2)

(1)Requires Coax/Twinax Adapter for SCS p/n 11K4120. (2)IPDS Advanced Function PRPO required

# Lexmark Print Servers

## Six great reasons to connect with Lexmark!

### Cost-efficiency

Network printing is smart for every business's bottom line. By connecting your printer with a Lexmark print server, you can significantly boost workflow efficiency, drive down capital expenses, save money on supplies and consumables and reduce maintenance intervention.

### Optimal performance

Now you can leverage all the power and performance of your Lexmark printer, no matter what type of network you have. You can also break free from cables with our 802.11g wireless print servers, which let you place your printers wherever they're most productive for your business.

### Top-notch security

For greater peace of mind, Lexmark's N8000 series are armed with the latest 802.1x authentication methods to ensure your applications are protected. Plus, our N8050 802.11g wireless print server offers WPA-Enterprise security for high-level data protection, password controls, user restrictions and much more.

### Simplified network management

Lexmark's internal and external print servers support Lexmark's award-winning MarkVision Professional software, which lets you manage your network of devices easily and effectively. MarkVision also provides proactive tools, such as automated email alerts for low toner and paper.

### Very easy set-up

Whether you're working in a Windows or Mac environment, you can benefit from auto-discovery and zero configuration to be up and running quickly, with virtually no interruption to your business. You can also use the embedded Web server for hassle-free custom-configuration.

### Flexible and future-proof

In addition to being compatible with multiple network types, Lexmark servers support most standards and applications, including TCP/IP, IPP, IPX/SPX and AppleTalk printing. For further investment protection, you can also upgrade easily to the latest features, using downloadable firmware updates.



## INTERNAL PRINT SERVERS

Boost business productivity by attaching your Lexmark devices directly to your network with one of these high-performance print servers. There's one for every need, including Fast Ethernet, Gigabit Ethernet, Fibre and 802.11g wireless...

### Fast Ethernet print server

Lexmark MarkNet N8000

- Cost-effective sharing on Fast Ethernet networks
- Auto-discovery and Zero Configuration compliance
- Embedded Web server for easy custom configuration

### Fibre Ethernet print server

Lexmark MarkNet N8030

- Reliable, ultra-secure printing on fibre networks
- Dual 10BaseFL and 100BaseFX transceivers
- 802.1X authentication and SSL/TLS security

## EXTERNAL PRINT SERVERS

Lexmark's external print servers offer businesses an easy and affordable way to place a Lexmark or third-party laser, inkjet or dot matrix printer in just about any major network environment...

### Fast Ethernet

Lexmark N4000e

- Affordably priced server for USB-enabled printers
- Network-scanning capability with selected Lexmark All-in-One inkjets
- Wizard-like set-up utility and embedded Web server

### Fast Ethernet

Lexmark MarkNet N7000e & N7002e

- Connect to Lexmark or third-party printers via Hi-Speed USB (MarkNet N7000e) or Parallel port (MarkNet N7002e)
- Easy to use setup wizard and plain text LCD on panel
- Compatible with multiple protocols and operating systems

### Gigabit Ethernet print server

Lexmark MarkNet N8020

- High-speed performance for Gigabit Ethernet networks
- Compatible with both Fast and Gigabit Ethernet networks
- 802.1X authentication and SSL/TLS security

### 802.11 Wireless print server

Lexmark MarkNet N8050

- Wi-Fi certified
- WPA-Enterprise security for high-level data protection
- Backwards compatible with 802.11b products

### 802.11g Wireless print server

Lexmark N4050e

- Easy set-up via USB connection
- WPA (Wi-Fi Protected Access) Personal Security
- Network-scanning capability with selected Lexmark All-in-One inkjets

### Gigabit Ethernet

Lexmark MarkNet N7020e

- Connects to Lexmark or third-party printers via 4 Hi-Speed USB ports
- Printer pooling
- Advanced network management with MarkVision Professional





# Lexmark Print Servers

## Internal Print Servers

NETWORK CAPABILITIES	MARKNET N8000 SERIES
<b>Network Printing Methods</b>	
LPR/LPD	•
Direct IP (Port 9100)	•
Socket (Raw TCP/IP)	•
IPP 1.0 (Internet Printing Protocol)	•
IPP 1.1	•
HTTP	•
Lexmark Enhanced TCP/IP Print Port (port 9400)	•
NDS Queue-based printing	•
NDPS/NEPS (Novell Distributed Print Services, Novell Netware Enterprise Print Solutions)	•
<b>Browser Supported</b>	
Microsoft Internet Explorer 5.x, 6.x (or later)	•
Netscape Navigator 6.x, 7.x (or later)	•
Apple Mac OS X Safari 1.0 (or later)	•
Mozilla Firefox 1.0 (or later)	•
<b>Protocols</b>	
TCP/IP (IPv4)	•
NetWare (IPX/SPX)	•
AppleTalk	•
LexLink (DLC/LLC)	•
IPv6	•
<b>Advanced Security Features</b>	
SSL Enabled Embedded Web Server	•
SNMPv3	•
TCP/IP port access control	•
Authenticated & encrypted MarkVision Professional communication	•
802.1x Authentication: MD5, MSCHAPv2, LEAP, PEAP, TLS, TTLS	•
WEP Encryption (64- and 128-bit key)	•
WPA™ - Personal	•
IPSec	•
WPA™ - Enterprise	•
Function may vary by printer or MFP.	•
<b>Product Compatibility</b>	
	T64x, W84x, C9x (Also, C510, C752, C76x, C920, T6x, T64x, W840 for MarkNet N8000)
<b>MarkVision Supported</b>	
	Yes
<b>Upgradeable Firmware</b>	
	Yes
<b>Operating Systems Supported</b>	
	Microsoft Windows (98 2nd edition, 2000, NT, ME, XP, Server 2003), Novell Netware (3.2, 4.2, 5.x and 6.x, 6.x with Iprint, NDPS), Red Hat Enterprise Linux WS 3.0, 4.0, SuSE Linux Enterprise Server 8.0, 9.0, SuSE Linux Professional 9.0, 9.1, 9.2, Debian GNU/Linux 3.0, Linspire Linux 4.5, HP-UX 11.00, 11.11, IBM AIX 5.1, 5.2, 5.3, IBM series, Apple Mac OS X, OS 9.x

Specifications are subject to change without notice. Lexmark, Lexmark with diamond design is trademark of Lexmark International, Inc. registered in the United States and/or other countries. All other trademarks are the properties of their respective owners.

## External Print Servers

NETWORK CAPABILITIES	N4000 SERIES	MARKNET N7000E MARKNET N7002E	MARKNET N7020E
<b>Network Printing Methods</b>			
LPR/LPD	•	•	•
Direct IP (Port 9100)	•	•	•
IPP 1.0	•	•	•
IPP 1.1	•	•	•
HTTP	•	•	•
Lexmark Enhanced TCP/IP Print Port (port 9400)	•	•	•
NDS Queue-based printing	•	•	•
NDPS/NEPS (Novell Distributed Print Services, Novell Netware Enterprise Print Solutions)	•	•	•
<b>Browser Supported</b>			
Microsoft Internet Explorer 5.x, 6.x (or later)	•	•	•
Netscape Navigator 6.x, 7.x (or later)	•	•	•
Apple Mac OS X Safari 1.0 (or later)	•	•	•
Mozilla Firefox 1.0 (or later)	•	•	•
<b>Protocols</b>			
TCP/IP (IPv4)	•	•	•
IPv6	•	•	•
NetWare (IPX/SPX)	•	•	•
AppleTalk	•	•	•
<b>Advanced Security Features</b>			
SSL Enabled Embedded Web Server	•	•	•
SNMPv3	•	•	•
TCP/IP port access control	•	•	•
Authenticated & encrypted MarkVision Professional communication	•	•	•
802.1x Authentication: MD5, MSCHAPv2, LEAP, PEAP, TLS, TTLS	•	•	•
WEP Encryption (64- and 128-bit key)	•	•	•
WPA™ - Personal	•	•	•
IPSec	•	•	•
WPA™ - Enterprise	•	•	•
<b>Product Compatibility</b>			
	All USB enabled printers	All USB enabled printers for MarkNet N7000e, and all parallel port printers for MarkNet N7002e	All USB enabled printers
<b>MarkVision Supported</b>			
	No	Yes	Yes
<b>Upgradeable Firmware</b>			
	Yes	Yes	Yes
<b>Operating Systems Supported</b>			
	Microsoft Windows (95, 98, Me, NT 4.0, 2000, XP and Server 2003), Apple Mac OS X (10.2 or later - Apple Zero Configuration compatible), Red Hat and SuSE Linux and HP-UX, IBM AIX and Sun Solaris	Microsoft Windows (98 2nd edition, 2000, NT, ME, XP, Server 2003), Novell Netware (3.2, 4.2, 5.x and 6.x with Iprint, NDPS), Red Hat Enterprise Linux WS 3.0, 4.0, SuSE Linux Enterprise Server 8.0, 9.0, SuSE Linux Professional 9.0, 9.1, 9.2, Debian GNU/Linux 3.0, Linspire Linux 4.5, HP-UX 11.00, 11.11, IBM AIX 5.1, 5.2, 5.3, IBM series, Apple Mac OS X, OS 9.x	Microsoft Windows (98 2nd edition, 2000, NT, ME, XP, Server 2003), Novell Netware (5.x and 6.x with Iprint, NDPS), Red Hat Enterprise Linux WS 3.0, 4.0, SuSE Linux Enterprise Server 8.0, 9.0, SuSE Linux Professional 9.0, 9.1, 9.2, Debian GNU/Linux 3.0, Linspire Linux 4.5, HP-UX 11.00, 11.11, IBM AIX 5.1, 5.2, 5.3, IBM series, Apple Mac OS X

# MarkVision Professional



## Powerful Remote Multifunction Device and Printer Management

### Pro-active Monitoring

- Real-time remote operator panel and printer status
- Real-time filterable notification of printer conditions
- Perform tasks automatically depending on printer conditions

### Confidence for your Help Desk

- Monitor both Lexmark and 3rd Party multifunction devices and printers
- Apply enhanced secure communications settings quickly
- Install and configure multiple devices simultaneously

### Simple, flexible interface

- Customise most important tasks on a single home page
- Group devices logically by any criteria using dynamic filters
- Find printers easily and quickly using multiple methods

### Pro-active real-time remote management.

MarkVision Professional is designed to reduce the overall cost of network printing services while increasing the availability and variety of printing resources for all users. With more and more print devices distributed across organisations, the need for a printer and multifunction device management tool has become even more critical. MarkVision Professional makes it easy to set up, manage and maintain your printers and multifunction devices, while increasing productivity across your enterprise.

### A solution that satisfies IT and your Helpdesk center.

MarkVision Professional gives you the ability to monitor, configure and manipulate networked printer and multifunction devices in your enterprise, including those at different sites, in real time from one central point or through a web browser anywhere in the company. This will help in preventing and if necessary resolving printing problems quickly and cost effectively.

### Go one step further and automate processes!

Inside MarkVision Professional, the MarkVision Messenger listens for certain printer events to occur, then sends an alert automatically when that condition arises. It provides real-time notification of printer conditions via e-mail, paging or other applications. It also facilitates automated response to any alert before it becomes critical and disruptive to user productivity.

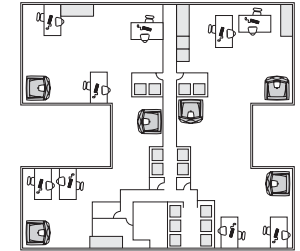
### Too many printers, too little time?

MarkVision Professional lets you organise your printers into a tree-like structure similar to that of a corporate organisational chart. In this way, you can locate and monitor those devices quickly and easily.

A Home Task Page allows users to create groups of tasks by adding or removing tasks to fit the organisation's needs.

When you have many printers on your network, being able to choose and view only those mission-critical printers or any other priority printer condition you can formulate, is essential. MarkVision Professional can automatically group devices into folders based on real-time status alerts, or filters.

The MarkVision Professional™ print management application increases end-user productivity while reducing IT and Helpdesk cost through easy-to-use remote problem prevention and resolution.



### SERVER AND CLIENTS ENVIRONMENTS SUPPORTED

These are true for both installations except where stated

- Windows 98/Me/XP (client only)
- Windows NT 4.0/2000/XP/ Server 2003
- HP-UX 11.00
- Mac Client Server OSX
- Novell Server
- IBM AIX 5.1, 5.2
- Sun Solaris 2.6, 9
- SuSE Linux 7.1, 7.2, 7.3, 8.0
- RedHat Linux 7.1, 7.2, 7.3, 8.0

### FEATURES SUPPORTED

- Plug-in support for new devices and functions to reduce need for re-installing the software
- Customisable user interface
- Remote Printer Monitoring and Management
- Real-time pro-active alerts with filtering
- User Accounts and groups
- Dynamic device folders and filters
- Quick printer find
- Scheduled tasks
- Automatic TCP/IP and IPX discovery
- Management of other manufacturers printers
- Links to multiple web pages
- Runs as an application or in a browser
- Customisable home Task page

### LEXMARK CONNECTIVITY SUPPORTED

- MarkNet N2000, N8000 and X2000 Series print servers

### NETWORK PRINTERS SUPPORTED\*

#### Full bi-directional (NPAP)

- Opra Family of Laser Printers
- Lexmark T, C, W
- Lexmark E323n, E332n
- Lexmark MFP range - X52x, X62x, X63x, T63x, T64x, X422, W840, C920, X64x, X720, X750e, X752e, X762e, X85xe, X912e, X83xe, C920

#### Using SNMP

- Any common-MIB compliant printer or MFP
- Specific support is provided for:
  - Brother HL-1470N Series
  - Brother HL-1650/1670N Series
  - Brother HL-2460 Series
  - Canon GP 200D
  - Canon Image Class 2100
  - Canon imageRUNNER 330/400, 500, 600, Canon 2800 and 5000i
  - HP 2000, 2500C
  - HP 8550MFP, 8550GM, 2250TN
  - HP Colour LaserJet 4550, 8500
  - HP Colour LaserJet 2500, 3700, 5500, 4600
  - HP LaserJet 4100 Series and 4100 MFD

- IBM Infoprint 20, 21
- IBM Network Printer 12, 17
- Konica KL-3015
- Kyocera FS-1700/1750, FS-3700+/3750, FS-7000/9000/9000DN- Kyocera FS 1800/3800
- Minolta Colour PageWorks, PageWorks 20
- Minolta-QMS Magicolor 2200 and 3100
- NEC SuperScript 1800
- QMS Magicolor 2, 6100
- Ricoh Aficio 450/455, 550, 650, 750, 850, 180, 270, modem 1045
- Ricoh Aficio 350/355
- Ricoh AP3800C Series
- Tektronix Phaser 350, 550, 560, 740E, 780GN, 840DX, 750dx, 750, 850
- Xerox DocuColour 4CP
- Xerox DocuColour 2006
- Xerox Document Centre 220ST, 230ST, 240ST, 440six, 332ST, 340ST, 265ST
- Xerox DocuPrint 4512, C55/C55mp



## Lexmark Compatibility Table and Options

DESCRIPTION	PN	A4		A3	A4		A3	A0	A4	Multifunction		A4	A3	A4	A3	
		Monochrome		Colour	Colour	Colour	Monochrome	Monochrome	Monochrome	Monochrome	Colour	Colour	Colour	Colour	Colour	Colour
<b>PAPER HANDLING OPTIONS</b>																
<b>PAPER INPUT OPTIONS</b>																
Lexmark E23x / E33x 250-Sheet Tray Only - Dark	0022S0300															
Lexmark E23x / E33x 550-Sheet Tray Only - Dark	0022S0301															
Lexmark E23x / E33x 550-Sheet Drawer with Tray - Dark	0022S0302															
Lexmark E24x / E34x 550-Sheet Drawer with Tray - Dark	0028S0802															
Lexmark X34x 550-Sheet Drawer with Tray - Dark	0028S0803															
Lexmark T42x / X422 250-Sheet Drawer	0016H0301															
Lexmark T420 / X422 250-Sheet Tray	0016H0302															
Lexmark T420 / X422 500-Sheet Tray	0016H0303															
Lexmark T430 250-Sheet Drawer	0026H0000															
Lexmark T430 500-Sheet Drawer	0026H0002															
Lexmark T430 250-Sheet Tray for Option	0026H0001															
Lexmark T430 500-Sheet Tray for Option	0026H0003															
Lexmark T430 250-Sheet Tray for Printer	0026H0350															
Lexmark T63x 250-Sheet Tray	0011K1059															
Lexmark T63x 500-Sheet Tray	0011K1060															
Lexmark T64x 250-Sheet Drawer	0020G0889															
Lexmark T64x 500-Sheet Drawer	0020G0890															
Lexmark T64x 250-Sheet Tray	0020G0879															
Lexmark T64x 500-Sheet Tray	0020G0884															
Lexmark T64x 2000-Sheet Drawer	0020G0893															
Lexmark T63x 250-Sheet Universally Adjustable Tray	0011K1574															
Lexmark T63x 400-Sheet Universally Adjustable Tray	0011K1941															

## Lexmark Compatibility Table and Options

DESCRIPTION	PN	A4		A3	A4		A3	A0	A4	Multifunction		A4	A3	A4	A3	
		Monochrome		Colour	Colour	Colour	Monochrome	Monochrome	Monochrome	Monochrome	Colour	Colour	Colour	Colour	Colour	Colour
<b>PAPER HANDLING OPTIONS</b>																
<b>PAPER INPUT OPTIONS</b>																
Lexmark T64X 250-Sheet Universally Adjustable Drawer	0020G1223															
Lexmark T64X 400-Sheet Universally Adjustable Drawer	0020G1218															
Lexmark T64X 250-Sheet Universally Adjustable Tray	0020G1224															
Lexmark T64X 400-Sheet Universally Adjustable Tray	0020G1217															
Lexmark W812 500-Sheet Drawer	0014K0063															
Lexmark W820 500-Sheet Drawer	001280080															
Lexmark W820 High Capacity Feeder	001280082															
Lexmark W840, X85xe 2 x 500-Sheet Drawer	0015R0146															
Lexmark W840, X85xe 2000-Sheet Dual Input	0015R0120															
Lexmark W840, X85xe 2000-Sheet High Capacity Feeder	0015R0145															
Lexmark C500n 530-Sheet Drawer	0022R0194															
Lexmark C510n 530-Sheet Drawer	0020K0509															
Lexmark C510n 530-Sheet Tray	0020K1025															
Lexmark C522n, C524 500-Sheet Drawer	0018B2100															
Lexmark C76x 500 Optional Sheet Drawer	0016A2300															
Lexmark C76x 500 Sheet Tray	0016A3601															
Lexmark C762 2000 Optional Sheet Drawer	0016A3600															
Lexmark C91x 550 Optional Sheet Drawer	0012N0778															
Lexmark C91x 3000 Optional Sheet Drawer	0012N0850															
Lexmark C91x 550-Sheet Heavy Media Tray	0012N0780															
Lexmark C920 550-Sheet Drawer	0013N1778															
Lexmark C920 2 x 550-Sheet Drawer with Stand	0013N1782															
Lexmark C920 Banner Tray Media	0013N1360															
Lexmark C920 High Capacity Feeder - UK/Ireland*	0013N1248															

\* Other PN for other EMEA countries available

## Lexmark Compatibility Table and Options

DESCRIPTION	PN	A4		A3		A4		A3		A4		A3		A4		A3		
		Monochrome		Colour		Monochrome		Colour		Monochrome		Colour		Multifunction		Colour		
<b>PAPER HANDLING OPTIONS</b>																		
<b>ENVELOPE FEEDER</b>																		
Lexmark T64x Envelope Feeder	0020G0891																	
Lexmark T63x Envelope Feeder	0011K0720																	
Lexmark W620 Envelope Feeder	0012B0083																	
Lexmark C762 Envelope Drawer	0016N3100																	
<b>DUPLEX UNIT</b>																		
Lexmark T640 250-Sheet Duplex Unit	0020G0887																	
Lexmark T642, T644 500-Sheet Duplex Unit	0020G0888																	
Lexmark C510 Duplex Unit	0020K0511																	
Lexmark C76x Duplex Unit	0016N2400																	
Lexmark C91x Duplex Unit	0012N0783																	
Lexmark W812 Duplex Unit	0014K0060																	
Lexmark W820 Duplex Unit	0012B0084																	
Lexmark W840 Duplex Unit	0025A0015																	
<b>OUTPUT EXPANDER</b>																		
Lexmark T64X 650-Sheet Output Expander	0020G0894																	
Lexmark T64X 1850-Sheet High Capacity Output Stackler	0020G0896																	
Lexmark C762 Output Expander	0016N3050																	
<b>MAILBOX</b>																		
Lexmark T64X 5-Bin Mailbox	0020G0895																	
Lexmark C762 5-Bin Mailbox	0016N3000																	

## Lexmark Compatibility Table and Options

DESCRIPTION	PN	A4		A3		A4		A3		A4		A3		A4		A3		
		Monochrome		Colour		Monochrome		Colour		Monochrome		Colour		Multifunction		Colour		
<b>PAPER HANDLING OPTIONS</b>																		
<b>FINISHER</b>																		
Lexmark T64X StapleSmart Finisher	0020G0897																	
Lexmark W820 Finisher Stapling, 4-Hole Finisher	0012B0086																	
Lexmark W840 X850e Stapling 4-Hole Finisher	0015R0143																	
Lexmark C75x Finisher T	0010B3603																	
Lexmark C762 Outdoor Media Drawer	0016N3340																	
Lexmark C762 Banner Tray	0016N5000																	
Lexmark C91x Staple Punch Finisher	0012N0785																	
Lexmark C920 Staple Punch Finisher 3-Hole	0013N1784																	
Lexmark C920 Staple Punch Finisher 4-Hole	0013N1785																	
<b>KIOSK PRESENTER</b>																		
Lexmark T64x Vertical Kiosk Presenter	0011K4647																	
Lexmark T64x Horizontal Kiosk Presenter	0011K4648																	
<b>MFP OPTIONS</b>																		
Lexmark X3100 MFP Option	0020R0040																	
Lexmark X3200 MFP Option	0020R0102																	
Lexmark X4500 MFP Option	0016C0108																	
Lexmark 4600 MFP Option	0021J0114																	
Lexmark 5500 MFP Option	0016C0377																	
Lexmark X7500 MFP Option	0016C0140																	
Lexmark T63x Printer Operator Panel Cover	0010G1021																	
Lexmark W820 Printer Operator Panel Cover	0016C0115																	
Lexmark C7xx Printer Operator Panel Cover	0016N0878																	
Lexmark C91x Printer Operator Panel Cover	0012N0228																	







# Lexmark Compatibility Table and Options

DESCRIPTION	PN	A4 Monochrome		Colour				A0		Multifunction		A3	A4	A3	A4	A3
		A4	A3	A4	A3	A4	A3	A4	A3							
<b>DLE CARDS</b>																
<b>OPTRA FORMS</b>																
<b>Forms card DLE</b>																
Forms Card DLE	0026H0399															
Forms Card DLE	0010G0159															
Forms Card DLE	0020G0742															
Forms Card DLE	0025A0037															
Forms Card DLE	0020K1268															
Forms Card DLE	0016N3210															
Forms Card DLE	0022G0627															
Forms Card DLE	0022G0353															
Forms Card DLE	0015R0094															
<b>Fonts</b>																
Simplified Chinese	0009H0690															
Simplified Chinese	0010G0744															
Simplified Chinese	001021241															
Simplified Chinese	0012P0101															
Traditional Chinese	0009H0691															
Traditional Chinese	0010G0745															
Traditional Chinese	001021242															
Traditional Chinese	0012P0102															
Japanese	0010G0746															
Japanese	001021243															
Japanese	0013K0227															
Japanese	0012P0103															
Japanese	0010G0743															
Korean	001021240															
Korean	0010G1705															

# Lexmark Compatibility Table and Options

DESCRIPTION	PN	A4 Monochrome		Colour				A0		Multifunction		A3	A4	A3	A4	A3
		A4	A3	A4	A3	A4	A3	A4	A3							
<b>NETWORK CONNECTIONS</b>																
<b>INTERNAL PRINT SERVERS</b>																
<b>N8000 Series</b>																
MarkNet N8000 Fast Ethernet Print Server	0014S0230															
MarkNet N8020 Gigabit Ethernet Print Server	0014S0200															
MarkNet N8030 Fiber Ethernet Print Server	0014S0220															
MarkNet N8050 802.11g Wireless Print Server	0014S0210															
<b>EXTERNAL PRINT SERVERS</b>																
<b>N4000 Series - USB Port</b>																
N4000e Print Server: Western Europe	0014T0040															
N4000e Print Server: United Kingdom	0014T0050															
N4050e 802.11g Wireless Print Server: Western Europe	0014T0155															
N4050e 802.11g Wireless Print Server: United Kingdom	0014T0165															
<b>N7000 Series</b>																
N7000e Print Server (USB Port)	0014T0230															
N7002e Print Server (Parallel Port)	0014T0240															
N7002e Print Server (USB Multiport)	0014T0220															
<b>LOCAL CONNECTIONS</b>																
<b>Adapters</b>																
RS-232C Serial Interface Card (ex 11K4602)	001021092															
Parallel 1284-B Interface Card (ex 11K4601)	001021091															
Ceex/Twinax Adapter for SCS (ex 11K4120)	0014S0240															
<b>Cables</b>																
10-Foot Parallel Cable (ex 1329605)	001021231															
2-Meter USB Cable (ex 12A2405)	001021294															

\* Print only



Some people treat  
our planet badly.



Some people don't.

# recover

"Environmentally sound waste management" is one of the priorities of the United Nations Environment Program. By inviting everyone to change unsustainable patterns of production and consumption, it makes us all responsible for doing something about it. At Lexmark, over the years, we have developed and enhanced the Lexmark Cartridge Collection Programme. We now offer environmentally sound collection and recycling of all our cartridges, soon to be extended to all our equipment. And you can also do your part; simply return your used cartridges to Lexmark. You will help the environment by increasing the recovery of materials, thus reducing production and materials consumption.



## Quality and Excellence

Lexmark supplies used together with your Lexmark printer deliver the highest performance and quality available every time.



### CUSTOMER NEEDS

The core of printing technology is in the cartridge itself. The majority of our cartridges are single-element (integrated drum for laser cartridges or printhead for inkjet cartridges) for ease of installation, avoiding the risk of deterioration of the print head and therefore degradation of print quality during printer life. Replacing a Lexmark cartridge is like getting a brand new printer!

### CUSTOMER CHOICE

Lexmark has developed a complete range of cartridges with its printers to fit the many needs of its various end-users: extra-high-yield, high-yield and standard-yield cartridges, tri-packs and low-priced cartridges for inkjet printers. High-Yield print cartridges are especially designed for heavy users, to reduce their cost of printing, but they are also 'green' products as you require fewer cartridges and less packaging.

### MEASURING YIELD WITH THE NEW ISO/IEC 19752

The ISO standard more accurately represents the potential customer experience by taking into account manufacturing variations in the performance of the cartridges and the printers. Until now, printer manufacturers have used a variety of methodologies to measure toner yield, making it challenging for customers to compare yield measurements accurately from leading suppliers. This single, rigorous worldwide ISO standard to measure monochrome toner cartridge yield will help customers more objectively and accurately evaluate printer and print cartridge yield. A requirement of the new standard is that all products must be tested and written reports must be made available to customers at their request. We have now completed ISO/IEC 19752 yield claim testing for mono laser cartridges introduced since 1999.

### A FACELIFT FOR LEXMARK SUPPLIES

We recently developed a fresh new packaging design for Lexmark's laser supplies. Today, virtually all of Lexmark's cartridges are sold in the new-style box. The result is a more aesthetically pleasing and environmentally friendly design with improved security features to combat counterfeiting. The individual boxes have optimised dimensions to enable the shipment of more units on a pallet. Also, the new box allows easy empty cartridge return. It's so easy to close that customers don't even need to tape the box before sending it back to Lexmark.

The development of new technologies and new cartridges is key to Lexmark's Business. We invest in R&D, integrating customers' input to design and develop a complete range of supplies: from laser cartridges to inkjet cartridges, papers and transparencies and ribbons. Backed by a 100% Satisfaction Guarantee, each laser and inkjet cartridge is tested individually before leaving the manufacturing site to guarantee high print quality day after day, print after print.



We make printing easy

**LEXMARK**

# Lexmark Supplies Compatibility Table

## Lexmark Monochrome Laser Printers Supplies

### CARTRIDGES AND PHOTOCONDUCTOR



MODEL	Extra High Yield Print Cartridge	High Yield Print/Toner Cartridge	Print/ Toner Cartridge	Label Print Cartridge	Extra High Yield Print Cartridge	Extra High Yield Print Cartridge	High Yield Print/Toner Cartridge	Print/ Toner Cartridge	Photoconductor Unit
<b>MODEL</b>	<b>Return Programme Cartridges</b>				<b>Regular Cartridges</b>		<b>Other Supplies</b>		
Lexmark E120/E120n			12016SE						12036SE
Lexmark E210									10S0150
Lexmark E220			12S0400						12S0300
Lexmark E232			24016SE						24036SE
Lexmark E240/E240n			24016SE						24036SE
Lexmark E320/E322	08A0478	08A0476			08A0477	08A0475			
Lexmark E321/E323	12A7405	12A7400			12A7305	12A7300			
Lexmark E330/E332n/E340/E342n/E342In (1)	34016HE	24016SE			34036HE	24036SE			12A8302
Lexmark T420d	12A7415	12A7410			12A7315	12A7310			
Lexmark T430	12A8425	12A8420			12A8325	12A8320			
Lexmark T520/X520, T522/X522s	12A6835	12A6830	12A6839		12A6735	12A6730			
Lexmark T620/ X620e, T622	12A6865	12A6860	12A6869		12A6765	12A6760		11K3188	
Lexmark T630/X630, T632/X632/X632e, T634	12A7465 <sup>(2)</sup>	12A7462	12A7460	12A7468	12A7365 <sup>(2)</sup>	12A7362	12A7360	11K3188	
Lexmark T640/T642/T644 (1)	64416XE <sup>(3)</sup>	64016HE	64016SE	64004HE	64436XE <sup>(3)</sup>	64036HE	64036SE	11K3188	
Lexmark W812							14K0050		
Lexmark W820/X820e							12B0090	12L0252	
Lexmark W840							W84020H	25A0013	W84030H
Lexmark X830e/X832e							X8302KH	12L0252	
Lexmark X215							18S0090		
Lexmark X340/X342e		X340H11G	X340A11G		X340H21G	X340A21G			X340H22G
Lexmark X422		12A4715	12A4710		12A3715	12A3710			
Lexmark X642e/X644/X646/X646dte	X644X11E <sup>(4)</sup>	X644H11E	X644A11E		X644X21E <sup>(5)</sup>	X644A21E			
Lexmark X850e/X852e/X854e							X850H21G		X850H22G
Opra™ E310/E312/E312L							13T0101	13T0301	
Opra E							69G8256		69G8257
Opra K 1220							12A4605	11A4097 <sup>(6)</sup>	11A4096
Opra M410/M412						17G0154	17G0152/4K00199		
Opra N							1401097 <sup>(6)</sup>	140109A	
Opra S		1382925	1382920	1382929		1382625	1382620		
Opra Se 3455			12A0825	12A0829			12A0725		
Opra T/ T610/T612/T614/T616		12A5845	12A5840	12A5849		12A5745	12A5740		
Opra W810							12L0250	12L0252	12L0251
Lexmark 4019-28-29, WinWriter™ 600							1380520		
Lexmark 4037-5E, 4047-5E, 4047-5W,							1382760		
ValueWriter™ 300/600, WinWriter 400									
Lexmark 4039/4039+						1380950	1380850		
Lexmark 4039 10+, 4049, Opra L/R series						1382150	1382100		

(1) Designed for use only in Europe, Middle East and Africa.  
 (2) Not compatible with Lexmark T630. Compatible with Lexmark T632 and T634 only.  
 (3) Compatible with Lexmark T644 only.  
 (4) Not compatible with Lexmark X642e  
 (5) Two packs  
 (6) With cartridge

## Lexmark Colour Laser Printers Supplies

### CARTRIDGES



MODEL	Black Extra High Yield Print Cartridge	Cyan Extra High Yield Print Cartridge	Magenta Extra High Yield Print Cartridge	Yellow Extra High Yield Print Cartridge	Black High Yield Print Cartridge	Cyan High Yield Print Cartridge	High Yield Print/Toner Cartridge	Yellow High Yield Print/Toner Cartridge	Black Print Cartridge	Cyan Print Cartridge	Magenta Print Cartridge	Yellow Print Cartridge
<b>MODEL</b>	<b>Return Programme Cartridges</b>											
Lexmark C522										C5220KS	C5220CS	C5220MS
Lexmark C524					C5240KH	C5240CH	C5240MH	C5240YH	C5220KS	C5220CS	C5220MS	C5220YS
Lexmark C750					10B042K	10B042C	10B042M	10B042Y	10B041K	10B041C	10B041M	10B041Y
Lexmark C752/ C762/ X752e/ X762e					15G042K	15G042C	15G042M	15G042Y	15G041K	15G041C	15G041M	15G041Y
Lexmark C752L, C760									15G041K	15G041C	15G041M	15G041Y
Lexmark C770, C772					C7700KH	C7700CH	C7700MH	C7700YH	C7700KS	C7700CS	C7700MS	C7700YS
Lexmark C772 only	C7720XX	C7720CX	C7720MX	C7720YX								

### CARTRIDGES



MODEL	Black Extra High Yield Print Cartridge	Cyan Extra High Yield Print Cartridge	Magenta Extra High Yield Print Cartridge	Yellow Extra High Yield Print Cartridge	Black High Yield Print / Toner Cartridge	Cyan High Yield Print / Toner Cartridge	Magenta High Yield Print / Toner Cartridge	Yellow High Yield Print / Toner Cartridge	Black Print / Toner Cartridge	Cyan Print / Toner Cartridge	Magenta Print / Toner Cartridge	Yellow Print / Toner Cartridge
<b>MODEL</b>	<b>Regular Cartridges</b>											
Lexmark C500n					C500H2KG	C500H2CG	C500H2MG	C500H2YG	C500S2KG	C500S2CG	C500S2MG	C500S2YG
Lexmark C510					20K1403	20K1400	20K1401	20K1402	20K0503	20K0500	20K0501	20K0502
Lexmark C522									C5222KS	C5222CS	C5222MS	C5222YS
Lexmark C524					C5242KH	C5242CH	C5242MH	C5242YH	C5222KS	C5222CS	C5222MS	C5222YS
Lexmark C720/ X720					15W0903	15W0900	15W0901	15W0902				
Lexmark C750/ X750e					10B032K	10B032C	10B032M	10B032Y	10B031K	10B031C	10B031M	10B031Y
Lexmark C752/ C762/ X752e/ X762e					15G032K	15G032C	15G032M	15G032Y	15G031K	15G031C	15G031M	15G031Y
Lexmark C752L, C760					15G031K	15G031C	15G031M	15G031Y				
Lexmark C770, C772					C7702KH	C7702CH	C7702MH	C7702YH	C7702KS	C7702CS	C7702MS	C7702YS
Lexmark C772 only	C7722XX	C7722CX	C7722MX	C7722YX								
Lexmark C910/ C912/ X912e					12N0771*	12N0768	12N0769	12N0770				
Lexmark C920					C9202KH	C9202CH	C9202MH	C9202YH				
Opra C710					10E0043*	10E0040	10E0041	10E0042				
Opra Color 1200					12A1454	12A1452	12A1451	12A1453				
Opra SC 1275					1361751	1361752	1361753	1361754				

### OTHER SUPPLIES



MODEL	Black Photoconductor for Unit	Photoconductor for Packs	Coating Roll	Fuser Oil/Oil Bottle	Transfer Kit	Waste Toner Bottle	Corona Charger	Fuser Cleaning Roller	Fuser Kit HV	Fuser Unit	Staple Cartridges
Lexmark C500n		C500X26G			C500X27G					C500X29G	
Lexmark C510	20K0504				20K0505					20K0507	
Lexmark C522 / C524	C52030X	C52034X (KCMY)				C52025X					
Lexmark C720 / X720	15W0904		15W0906		15W0907	15W0918	15W0905	15W0909			
Lexmark C750 / X750e					10B3100					12L0252	
Lexmark C752 / C752L / C760 / C762 / X752e / X762e					10B3100					11K3188	
Lexmark C910 / C912 / X912e	12N0773	12N0772 (CMY)	C92035X								11K3188
Lexmark C920	12N0773	12N0772 (CMY)	C92035X								
Opra C710		10E0044		10E0045							
Opra Color 1200	12A1450	12A1455 (CMY)									
Opra SC 1275	1361750										

\* Including coating roll.

# Lexmark Supplies Compatibility Table

## Lexmark Laser Printers Supplies

### PAPERS AND TRANSPARENCIES

MODEL	Laser Banner Paper		Glossy Paper	Outdoor Media	Transparencies		
	21 x 91.4 cm / Box of 50		A4 / Box of 200	A4 / Box of 100	A4 / Box of 50		
	12A8940	12A7940	12A5951	12A8601	12A8241	1053741	12A5010
Lexmark C500n/C510/C522/C524			•		•		
Lexmark C720/X720			•		•		
Lexmark C750, C752L, C760, X750e, X752e			•		•		
Lexmark C752			•		•		
Lexmark C762/X762e	•		•	•	•		
Lexmark C910			•		•		
Lexmark C912/X912e		•	•		•		
Lexmark C920		•	•		•		
Lexmark E120/E120n							•
Lexmark E210, E320/E322, 321/E323/E340/E342n/E342ln							•
Lexmark E232/E330/E332n							•
Lexmark E240/E240n							•
Lexmark T420d, T430, T630/X630, T632/X632/X632e/T634							•
Lexmark T520/X520, T522/X522s, T620/X620e, T622					•		
Lexmark T640/T642/T644							•
Lexmark W812							•
Lexmark W820/X820e, X830e, X832e							•
Lexmark W840							•
Lexmark X215, X422							•
Lexmark X340/X340n							•
Lexmark X642e/X644/X646/X646dle							•
Lexmark X850e, X852e, X854e							•
Optra C710			•		•		
Optra Color 1200			•		•		
Optra E310/E312/E312L							•
Optra E							•
Optra K 1220							•
Optra M410/M412							•
Optra N						•	
Optra S						•	
Optra Se 3455						•	
Optra SC 1275						•	
Optra T/ T610/T612/T614/T616						•	
Optra W810							•
4019, 4028, 4029, 4027-4W, 4037-5E, 4039/4039+, 4047-5E/4047-5W, ValueWriter 300/ 600, WinWriter 200/400/600							•
4039 10+, 4049, Optra L/ R Series						•	

## Lexmark Inkjet Printers Supplies

### PAPERS AND TRANSPARENCIES

MODEL	Everyday Glossy Photo Paper		Premium Glossy Photo Paper				Transparency
	A4 / 20 Sheets	A4 / 50 Sheets	A4 / 15 Sheets	A4 / 50 Sheets	10 x 15 / 20 Sheets	10 x 15 / 60 Sheets	A4 / 50 Sheets
	80D1706	21G0708	80D1707	21G0709	21G0710	21G0711	12A5412
Color Jetprinter 3200, 5000, 5700, 5770, 7000, 7200, 7200 V, OptraColor 40&45, Z31	•	•	•	•	•	•	•
Lexmark Z11 Color Jetprinter	•	•	•	•	•	•	•
Lexmark Z12 Color Jetprinter	•	•	•	•	•	•	•
Lexmark Z13, Z23e, Z24, Z25, Z25i, Z33, Z34, Z35	•	•	•	•	•	•	•
Color Jetprinter, i3, AIO X72, X74, X75							
Lexmark Z22, Z32 Color Jetprinter	•	•	•	•	•	•	•
Lexmark Z42, Z43, Z44, Z45, Z45se, Z51, Z52, Z53, Z54, Z54se Color Jetprinter, AIO X125	•	•	•	•	•	•	•
Lexmark Color Jetprinter Z730, AIO X2300 Series, X2400 Series, X3400 Series	•	•	•	•	•	•	•
Color Jetprinter 1000, 1020, 1100, 2030, 2050, 2055, 3000, ExecJet IIc, Winwriter 150c, Medlay 4c, 4x, 4sx	•	•	•	•	•	•	•
ExecJet II, WinWriter 100	•	•	•	•	•	•	•
Lexmark AIO X63, X70, X73, X80, X83, X84, X85	•	•	•	•	•	•	•
Lexmark Color Jetprinter, Z700 Series, P700 Series, AIO P3150, P3120	•	•	•	•	•	•	•
Lexmark Color Jetprinter, Z55, Z55se, Z65, Z65n, Z65p, AIO X5100 Series, Z600 Series, Z640 Series, AIO X1100 Series, X1200 Series	•	•	•	•	•	•	•
Lexmark Color Jetprinter, Z800 Series, AIO X3300 Series, X5200 Series	•	•	•	•	•	•	•
Lexmark Color Jetprinter Z515, Z600 Series, Z640 Series, AIO X1100 Series, X1200 Series, X2200 Series, X2300 Series	•	•	•	•	•	•	•
Lexmark AIO F4270, X4250	•	•	•	•	•	•	•
Lexmark P910 Series, P4300, P6200 Series, P6300 Series, AIO X7100 Series, X7300 Series, X8300 Series	•	•	•	•	•	•	•
Lexmark P310 Series, P450 series	•	•	•	•	•	•	•
Lexmark 4070							•

## Lexmark Matrix Printers Supplies

### RIBBONS

MODEL	Ribbons			
	General Purpose Ribbon		23XX/ 24XX Black Re-inking Ribbon	24XX High Yield Black Re-inking Ribbon
	1040864	13L0034	11A3540	11A3550
4226	•			
4227/ 4227 Plus		•		
2480/ 81, 2490/ 91, 2380/ 81, 2390/ 91 & 2380+			•	
2480/ 81, 2490/ 91			•	•





# Lexmark Supplies Compatibility Table

## Lexmark Linea™ Print Cartridges for HP and Canon Printers

MODEL	Print Engine	BX	WX	52X	NX	SX	EP-32	EX
	Part Number	140100A	140109A	140127X/A	140191A	140195A	140196A	140198X/A
APPLE	LaserWriter II F/ II G/ IINT/ IISC					•		
	LaserWriter I NTX/ II NTX/ IISX					•		
	LaserWriter Pro 600/ 630							•
	LaserWriter 16/ 600 PS							•
BROTHER	HL 8/ 8E/ 8J/ 8II/ 8D/ 8PS					•		
	HL 8J/ 8PSAP/ 8V					•		
	HL10/ 10DV/ 10PS/ 10V/ 10H					•		
	HL 8PSJ	•						
	HL1260/ 1660/ DX/ E/ NE/ NTR/ PS							•
	Calcomp - CCL1200 ES/ 600 - ES - XF	•						
CANON	LBP 2460		•					
	LBP B 406G	•						
	LBP 200V/ 8 II/ 8 II F/ 8 II R					•		
	LBP 8 II SX/ 8 II T/ 8 III/ 8IIIR					•		
	LBP 8 III Plus/ 8 III T/ RX/ SX/ TX					•		
	LBP 8 IV/ 8 Mark IV/ EX/ P270							•
	LBP 860/ 1260							•
	LBP NX/ NX600				•			
	LBP BXII	•						
	LBP 1000/ EP-32						•	
DEC	LBP 1760/ 1760E/ 1760NE/ 1760TNE/ 52X		•					
	PrintServer 17/ 600				•			
	DECLaser 2100/ 2150 / 2200/ 2250					•		
	LN 05/ LN 06					•		
GENCOM	DECLaser 5100							•
	6100 Series/ 6145					•		
	9170				•			
HEWLETT-PACKARD	9080	•						
	LaserJet Series II/ IID/ III/ IID					•		
	LaserJet 4/ 4M/ 4+/ 4M+							•
	LaserJet 5/ 5M/ 5N							•
	LaserJet 4V/ 4MV	•						
	LaserJet III/ 4Si/ 4Si MX				•			
	LaserJet 2100/ 2100SE/ 2100X/ 2100M/ 2100TN					•		
	LaserJet 2200/ 2200D/ 2200DT/ 2200DN/ 2200DTN					•		
	LaserJet 4000/ 4000N/ 4000T/ 4000TN			•				
	LaserJet 4050/ 4050N/ 4050T/ 4050TN			•				
OTHER	LaserJet 5Si/ 5Si MX/ 5Si NX/ 5Si Mopier	•						
	LaserJet 8000/ 8000N/ 8000DN		•					
	Lexmark - Optra N		•					
QMS	OCE - 6450/ 6451	•						
	Olivetti - PG 108					•		
	1725/ SLS/ E Print Systems				•			
	2308 S/ 3308S/ Kiss Plus					•		
	Lasergraphix 810/ 820					•		
	PS 810/ 810II/ 810 Turbo					•		
	PS 815/ 820/ 820 Turbo/ 825					•		
OTHER	Turbo Imageserver XP					•		
	860 Plus/ 1660 Plus	•						
2425		•						



Sometimes you want  
to take risks...

Sometimes you don't.

# beoriginal

Sometimes you like taking risks, but when it comes to your critical business printing applications or your valuable pictures Lexmark makes you feel safe. The cartridge and the printer form a complex sensitive solution designed by our engineers to work together, so only Lexmark high technology Original cartridges give you the longevity and quality you can count on, page after page. At Lexmark, our unique focus is to make printing easy for our customers, so they have the time to concentrate on designing brilliant documents...or to practise their favourite activities.



We make printing easy

**LEXMARK**

# Lexmark Authorized Parts Distributors



Please visit our website [www.lexmark.com](http://www.lexmark.com) for more information



France, Spain, Poland, UK, Sweden, South Africa, Russia, Italy, Norway

**EUROPARTS SA** 82, Rue Villeneuve  
Espace Clichy  
92110 Clichy  
Tel: +33 1 41 27 21 00  
Fax: +33 1 41 27 21 19  
[www.euro-parts.com](http://www.euro-parts.com)



Sweden, Denmark, Finland, Netherlands, Norway, Poland, Lithuania

**MK ELECTRONICS SCANDINAVIA AB** Box 194,  
431 23 Mölnda  
Sweden  
Tel: +46 (0) 31 334 25 00  
Tel: +46 (0) 31 334 25 90  
[www.mkelectronics.com](http://www.mkelectronics.com)



France, Belgium, Turkey, UK, Bulgaria, Croatia

**EXPRESS TERMINALS** The College business Park  
Kearsley Road  
Ripon HG4 2RN  
England  
Tel: + 44 (0)870 3977377  
Fax: +44 (0) 1765 694199  
[www.expressterminals.com](http://www.expressterminals.com)



Germany

**TOMTECH** Am seegraben 18  
63505  
Langenselbold  
Tel: +49-6184-9271-0  
Fax: +49-6184/9271-71  
[www.tomtech.de](http://www.tomtech.de)



France, Germany

**EAF SUPPLIES GMBH** borsigstr. 8  
d-47574 goch  
Tel: +49 (0)2823-9313-0  
Fax: +49 (0)2823-9313-30  
[www.eaf-gmbh.de](http://www.eaf-gmbh.de)



Italy, Germany, Austria, Poland

**MK COMPUTER ELECTRONIC GMBH** Heilbronner Straße 11  
D - 73037 Göppingen  
Tel: +49-7161-6066-0  
Fax: +49-7161-6066-170  
[www.mk-electronic.de](http://www.mk-electronic.de)



Spain

**IT DISTRIBUTION SA** C/Aragoneses No 15  
Pol. Ind. Alcobendas  
28100 Alcobendas  
Madrid  
Tel: +34 91 771 33 70  
Fax: +34 91 371 77 29  
[www.itdistribution.com](http://www.itdistribution.com)



Switzerland, Hungary, Slovakia

**SWISSPARTS AG** Siloring 9  
5606 Dintikon  
Tel: +41 848 84 74 64  
[www.swissparts.ch](http://www.swissparts.ch)



France, Germany, Italy, Sweden, Netherlands, Norway, Denmark, Finland

**EET DENMARK** Topstykket 24  
DK-3460 Birkerød  
Tel: +45 45 82 19 19  
Fax: +45 45 82 16 09  
[www.eet.dk](http://www.eet.dk)



UK

**XMA LIMITED** Unit 44  
Wilford Industrial Estate  
Ruddington Lane  
Nottingham - NG11 7EP  
Tel: +44 (0)115 846 4578  
[joan.peterkin@xma.co.uk](mailto:joan.peterkin@xma.co.uk)

# Lexmark Maintenance Kit

MODEL	PN	MAINTENANCE KIT DESCRIPTION	Yield (Pages)
<b>A4 MONO LASER PRODUCTS</b>			
12L, 12R IBM	001325532	Maintenance kit 220V: Fuser 220V, Transfer roll, D Roller, Lower redrive shaft Asm, Transfer Roll bearing cover, Installation instructions	200 000
12C	001325950	Maintenance kit 220V: Fuser 220V, Transfer roll, D Roller, Lower redrive shaft Asm, Transfer Roll bearing cover, Installation instructions	100 000
16L, 16L+ IBM	001329141	Maintenance kit 220V: Fuser 220V, Transfer roll, D Roller, Lower redrive shaft Asm, Transfer Roll bearing cover, Installation instructions	200 000
12R(R), 12L(L) OPTRA	0069G5267	Maintenance kit 220V: Fuser 220V, Transfer roll, D Roller, Lower redrive shaft Asm, Roller Asm, Installation instructions	200 000
16R(Rx), 16L(Lx) OPTRA	0069G5265	Maintenance kit 220V: Fuser 220V, Transfer roll, D Roller, Lower redrive shaft Asm, Roller Asm, Installation instructions	200 000
2420, 2450, 2455 OPTRA S	0099A1196	Maintenance kit 220V: Fuser 220V, Transfer roll, 6 Auto-Compensator Rollers, Charge Roll, Installation instructions	250 000
3455 OPTRA Se	0099A1198	Maintenance kit 220V: Fuser 220V, Auto-compensator rollers (6), Transfer Roll, Charge Roll, Instruction sheet	250 000
T610 / T612 OPTRA	0099A1765	Maintenance kit 220V: Fuser Unit 220V, Transfer Roll Asm, Charge Roll Asm, Pick Roll ASM (Quantity 2), Instruction sheet	300 000
T614 / T616 OPTRA	0099A1763	Maintenance kit 220V: Fuser Unit 220V, Transfer Roll Asm, Charge Roll Asm, Pick Roll ASM (Quantity 2), Instruction sheet	300 000
T420, X422	0056P2041	Maintenance kit 220V: Fuser 220V, Charge roll, Transfer roll, D Roller, Tray metal plate, Instruction sheet	200 000
T430	0056P2337	Maintenance kit 220V: Fuser 220V, Charge roll, Transfer roll, Tray 1 paper feed roll, Rear cover asm, Lower MPF housing asm, Lubricant Nyogel 744, Maintenance kit PP	200 000
T520 / T522	0099A2421	Maintenance kit 220V: Fuser Asm, Transfer roller, Charge roller	250 000
T620	0099A2407	Maintenance kit 220V: Fuser Unit 220V, Transfer Roll Asm, Charge Roll Asm, Pick Roll ASM (Quantity 3), Instruction sheet	300 000
T622	0099A2410	Maintenance kit 220V: Fuser Unit 220V, Transfer Roll Asm, Charge Roll Asm, Pick Roll ASM (Quantity 3), Instruction sheet	300 000
T630 / T632	0056P1412	Maintenance kit 220V: Fuser Unit 220V, Transfer roller, Charge Roll Asm, Pick Roll ASM (Quantity 3)	300 000
T634	0056P1856	Maintenance kit 220V: Fuser Unit 220V, Transfer roller, Charge Roll Asm, Pick Roll ASM (Quantity 3)	300 000
T640 / T642 / T644	0040X0101	Maintenance kit 220V: Fuser Unit 220V, Transfer roller, Charge Roll Asm, Pick Roll ASM (Quantity 3)	300 000

<b>A4 / A3 MONO LASER PRODUCTS</b>			
OPTRA N	0011A8124	Maintenance kit 220V: Fuser 240V, Transfer roll (supply item), Feed roller (Quantity 6), Installation Instructions	350 000
W810	0012G3420	Maintenance kit 220V: Fuser Unit 220V, Instruction sheet	250 000
	0012G3425	Transfer roller maintenance kit: Transfer Roller Asm, Instruction sheet	150 000
W812	0056P0885	Maintenance kit 220V	100 000
W820 / X830e / X832e	0012G4183	Maintenance kit 220V: Fuser Unit 220V, Transfer Roller Asm, Paperfeed Rollers (Quantity 15), Instruction shee	300 000
W840	0040X0957	Maintenance kit 220V: Fuser Unit 220V, Transfer Roller Asm, Paperfeed Rollers (Quantity 12), Instruction sheet	300 000
X642e / X644e / X646e / X646dte / X646ef	0040X0101	Maintenance kit 220V: Fuser ASM w/lamp, Roll ASM pick tire, Roll tranfer, Roll ASM double charge roll, Instruction sheet	300 000
X850e / X852e / X854e	0040X2376	Maintenance kit 220V: Fuser 220V, Feed / Pick / Sep Roll, Transfer roll, Instruction sheet	300 000
	0040X2734	Maintenance kit ADF: Separation roll, Dadf feed / Pick roll, Instruction sheet	120 000

MODEL	PN	MAINTENANCE KIT DESCRIPTION	Yield (Pages)
<b>A4 COLOUR LASER PRODUCTS</b>			
OPTRA C	0011A2375	Maintenance kit 220V: Fuser assembly, Air filter, Transfer cleaner unit, Corona charger, Ozone filter, Installation Instructions	60 000
SC1275 OPTRA	0011C0180	Maintenance kit 220V: Fuser 220V, Transfer roll, Installation instructions	100 000
	0012C0877	Transfer Belt	150 000 images
C710 OPTRA	0010E0059	Maintenance kit 220V: Fuser Unit 220V, Ozone Filter, Transfer Roller Asm	100 000 mono
	0010E0045	Transfer Roller Maintenance kit	100 000 images
C720	0012G7220	Maintenance kit 220V: Roller Transfer, Paper Discharger, Cleaner Drum	120 000
	0015W0909	Fuser kit	60 000 mono
C510	0020K0507	HV Fuser kit	51 000
C750	0012G6497	Maintenance kit 220V: Fuser ASM 230V	150 000
	0056P1296	ITU maintenance kit/ 2nd transfer roll: ITU Belt, 2nd transfer roll	105 000
C752	0012G6497	Maintenance kit 220V: Fuser ASM 230V	200 000
	0056P2848	ITU maintenance kit/ 2nd transfer roll: ITU Belt, 2nd transfer roll	120 000
C760 / C762	0056P2911	Maintenance kit 220V: Fuser ASM 230V	200 000
	0056P2848	ITU maint. kit/ 2nd transfer roll: ITU Belt, 2nd transfer roll	120 000
C522 / C524	0040X1402	Fuser ASM 230V	120 000
	0040X1401	Transfer Belt ASM KIT, Waste Toner Container	120 000

<b>A4 / A3 COLOUR LASER PRODUCTS</b>			
C1200 OPTRA Color	0011G0602	Maintenance kit 220V: Fuser Unit 220V, Belt Unit, Paper Feed Rollers (2), Instruction sheet	100 000
C910 / C912	0056P9901	Maintenance kit 220V: Fuser Unit 220V	120 000
	0056P9903	Intermediate Transfer belt maint. kit: Transfer belt	105 000
C920	0056P2651	Fuser Maintenance kit 220V: Fuser Unit 220V	105 000
	0040X1251	Intermediate Transfer belt Maintenance kit: Transfer belt	120 000

# Lexmark Standard Service Offerings

Since printing is a vital part of your business, Lexmark has developed a range of service offerings to ensure you security, peace of mind and a greater return on your investment. Total satisfaction being the core objective, these offerings provide you with the tools to keep business moving, including fast and reliable intervention from our specialised technical team.

## How does Lexmark deliver the service?

Depending on the type of product, different levels of service are available to our customers

### RETURN TO BASE

Return to base offers you remote product support by both telephone and Internet, as well as a dependable return process in case of product defect. In the event of a need for repair action, the helpdesk will instruct you to return the defected product at a Lexmark-designated location in your area. You will receive it back usually within five to seven days in serviced areas. This service covers offsite repair or equipment replacement, all parts and labour, and the return shipment straight to your door.

### EXCHANGE

A valuably priced offering, Exchange ensures you a fast and effective door-to-door process. The way it works is simple: We pick up your defective hardware unit (after you remove the cartridge and any options), simultaneously bringing to you an operational unit, and then repair or replace the defective unit offsite. All parts and labour are included. You also benefit from remote support by both telephone and Internet.

### ON-SITE EXCHANGE

On Site Exchange is a convenient and comprehensive exchange service that makes your life easier. While you focus on your business, Lexmark takes care of everything, including pickup of the defective product (after having removed the cartridge and any options), offsite repair or replacement, and complete reinstallation. You also benefit from telephone and Web-based support. Response time is usually next business day in serviced areas and can be adapted to your specific requests. This may vary depending on the type of product.

### ON-SITE REPAIR

With On-Site Repair, a Lexmark-authorized specialist comes to your home or office to analyse and repair your defective device directly on-site. The specialist will also make sure your product meets Lexmark's most stringent standards of quality and performance. This offering includes telephone and Web-based support, all parts and labour, complete on-site repair and testing. Response time is usually next business day in serviced areas and can be adapted to your specific requests. This may vary depending on the type of product.

### REPLACEMENT

Replacement ensures you a fast and effective door-to-door repair process. The way it works is simple: we bring you a practically new product without any cartridge or any options, and will come back later to collect your defective product. Response time is usually within 1 to 5 business days in serviced areas. All parts and labour are included. You also benefit from remote support by both telephone and Internet.



## Which service offering fits you best?

### Extended Guarantee

Expanding the coverage of your base guarantee, the extended guarantee prolongs service for a period of one, two or three years. It must be continuous from the base guarantee without a gap (lapsed coverage) and may be purchased only once. In very special cases, signing a four-year extended guarantee contract is possible. For such a request, contact Lexmark directly.

### Renewal Guarantee

The ability to renew an extended guarantee, or a previous renewal guarantee, is available for one year at a time, providing there is no gap in coverage. Renewal guarantees can be purchased each year as long as the reference is available in Lexmark's official pricing list. This new offering gives you the flexibility to benefit from your printer for an extended amount of time until a new installed base purchase is made.

### Base Guarantee Upgrade

At any moment during your initial base guarantee – but not exceeding it – you can opt for an even higher level of service, such as on-site support and exchange.

### Maintenance Kit Installation

When you purchase a new Maintenance Kit from Lexmark, a Lexmark authorised service partner can come to you to install it – or even sell you a new one on site. Maintenance Kits include a fuser unit, or transfer belt, as well as wearable parts.





# Lexmark Standard Service Offerings

Lexmark X632e		Financial & Pack PN
On-site repair	3 years total (1+2) on-site repair, response time next business day 1 year renewal on-site repair, response time next business day	002346029 002347645
Lexmark X632s		Financial & Pack PN
On-site repair	3 years total (1+2) on-site repair, response time next business day 1 year renewal on-site repair, response time next business day	002347344 002347647
Lexmark X634 (All models)		Financial & Pack PN
On-site repair	3 years total (1+2) on-site repair, response time next business day 1 year renewal on-site repair, response time next business day	002347352 002347648
Lexmark X642e		Financial & Pack PN
On-site repair	3 years total (1+2) on-site repair, response time next business day 1 year renewal on-site repair, response time next business day	002348758 002348761
Lexmark X644e		Financial & Pack PN
On-site repair	3 years total (1+2) on-site repair, response time next business day 1 year renewal on-site repair, response time next business day	002348310 002348317
Lexmark X646e / X646dte		Financial & Pack PN
On-site repair	3 years total (1+2) on-site repair, response time next business day 1 year renewal on-site repair, response time next business day	002348323 002348330
Lexmark X646ef		Financial & Pack PN
On-site repair	3 years total (1+2) on-site repair, response time next business day 1 year renewal on-site repair, response time next business day	002348297 002348304
Lexmark X850e		Financial & Pack PN
On-site repair	3 years total (1+2) on-site repair, response time next business day or total 1,8M pages 1 year renewal on-site repair, response time next business day or 600k pages	002348409 002348412
Lexmark X852e		Financial & Pack PN
On-site repair	3 years total (1+2) on-site repair, response time next business day or total 1,8M pages 1 year renewal on-site repair, response time next business day or 600k pages	002348422 002348425
Lexmark X854e		Financial & Pack PN
On-site repair	3 years total (1+2) on-site repair, response time next business day or total 1,8M pages 1 year renewal on-site repair, response time next business day or 600k pages	002348435 002348438

## Colour Laser Printers

Lexmark C500n		Financial & Pack PN
On-site repair	3 years total (1+2) on-site repair, response time next business day 1 year renewal on-site repair, response time next business day	002348671 002348674
Lexmark C510 (All models)		Financial & Pack PN
On-site repair	3 years total (1+2) on-site repair, response time next business day 1 year renewal on-site repair, response time next business day	002346484 002347600
Lexmark C522n		Financial & Pack PN
On-site repair	3 years total (1+2) on-site repair, response time next business day 1 year renewal on-site repair, response time next business day	002348146 002348160
Lexmark C524n (All models)		Financial & Pack PN
On-site repair	3 years total (1+2) on-site repair, response time next business day 1 year renewal on-site repair, response time next business day	002348164 002348178
Lexmark C760 (All models)		Financial & Pack PN
On-site repair	3 years total (1+2) on-site repair, response time next business day 1 year renewal on-site repair, response time next business day	002347246 002347604

Lexmark C762 (All models)		Financial & Pack PN
On-site repair	3 years total (1+2) on-site repair, response time next business day 1 year renewal on-site repair, response time next business day	002347261 002347605
Lexmark C912 / C912n		Financial & Pack PN
On-site repair	3 years total (1+2) on-site repair, response time next business day 1 year renewal on-site repair, response time next business day	002345933 002347607
Lexmark C912dn / C912fn		Financial & Pack PN
On-site repair	3 years total (1+2) on-site repair, response time next business day 1 year renewal on-site repair, response time next business day	002345955 002347747
Lexmark C920 (All models)		Financial & Pack PN
On-site repair	3 years total (1+2) on-site repair, response time next business day 1 year renewal on-site repair, response time next business day	002347506 002347747

## Colour Multifunction Printers

Lexmark X762 MFP		Financial & Pack PN
On-site repair	3 years total (1+2) on-site repair, response time next business day 1 year renewal on-site repair, response time next business day	002347348 002347652
Lexmark X912 MFP		Financial & Pack PN
On-site repair	3 years total (1+2) on-site repair, response time next business day 1 year renewal on-site repair, response time next business day	002346139 002347654

## Matrix Printers

Lexmark Forms Printer 24xx Series		Financial & Pack PN
On-site repair	3 years total (1+2) on-site repair, response time next business day 1 year renewal on-site repair, response time next business day	002346093 002347599
Lexmark Forms Printers 4227 plus / 4227*		Financial & Pack PN
On-site repair	3 years total (1+2) on-site repair, response time next business day 1 year renewal on-site repair, response time next business day	002346453 002347598

\* Service offerings available only on 4227-200 models. No longer available on 4227-100.

## MFP Option Scanners (When purchased separately)

Lexmark X3100 MFP Option		Financial & Pack PN
On-site exchange	3 years total (1+2) on-site exchange, response time next business day 1 year renewal on-site exchange, response time next business day	002346238 002347813
Lexmark X3200 MFP Option		Financial & Pack PN
On-site exchange	3 years total (1+2) on-site exchange, response time next business day 1 year renewal on-site exchange, response time next business day	002346265 002347925
Lexmark X4500 MFP Option		Financial & Pack PN
On-site repair	3 years total (1+2) on-site repair, response time next business day 1 year renewal on-site repair, response time next business day	002346399 002347816
Lexmark 4600 MFP Option		Financial & Pack PN
On-site repair	3 years total (1+2) on-site repair, response time next business day 1 year renewal on-site repair, response time next business day	002348400 002348403
Lexmark 5500 MFP Option		Financial & Pack PN
On-site repair	3 years total (1+2) on-site repair, response time next business day 1 year renewal on-site repair, response time next business day	002346503 002347818
Lexmark X7500 MFP Option		Financial & Pack PN
On-site repair	3 years total (1+2) on-site repair, response time next business day 1 year renewal on-site repair, response time next business day	002346421 002347822



# Lexmark Standard Service Offerings

## The Multifunction Installation Packs

### The Light Installation Pack (Level 1)

The light installation pack offers you a smooth delivery and assembly of your MFD device in a fast and methodical way, saving you valuable time. With this pack our Lexmark service engineers take care of all the preparation from unpacking and installation to device configuration. The Lexmark MFD is more than a high performance, high-quality printer. The Lexmark MFD merges print, copy and scan functions into a single space-saving device.

#### Level 1 detailed description:

- Unpacking the hardware
- Assembling the solution
- Assembling the scanner cabinet
- Installing the scanner
- Fitting the printer trays (1)
- Connecting:
  - > The mains
  - > The network
  - > The telephone line
- Preparing the printing solution (1)
- Loading paper consumables (1)
- Installing the photo-conductor (1)
- Fitting the quick reference board (1)
- Installing the cartridge (1)
- Fitting the paper jam board (1)
- Performing a power up test
- Setting the operator panel for option (1)
- Setting the operator panel for printer
- Printing out the printer menu page
- Performing a copy test
- Collecting the empty packing materials

001INEU01	Pack MFD Installation Low A4 L1	X642e
001INEU02	Pack MFD Installation High A4 L1	X644e/X646e/X646dte
001INEU04	Pack MFD Installation High A3 L1	X850e/X852e/X854e
001INEU05	Pack MFD Installation Scanner L1	4600 MFP Option

### The Pro Installation Pack (Level 2)

The Pro MFD installation pack gives you quick and easy access to these functions. Our service engineers will take care of all the installation and set up activities, as well as training a user group. This allows the device to be up and running quickly for the end user.

#### Level 2 detailed description: All elements of Installation level 1 + (6)

- Declaring the printer on the client's network (TCP/IP setup) (1- 4) (TCP/IP address, netmask, gateway, hostname)
- Installing or giving guidance regarding driver installation on one server or one windows PC (Customer's choice) (3)
- Configuring and setting up the different modules (Copy, fax, scan to PC)
- Installing the Lexmark Scan-back software on one customer station (software supplied with the option)(3)
- Training a user group of up to 5 people
- Setting up and configuring the fax
- Setting up of scan to e-mail (5)

002INEU01	Pack MFD Installation Low A4 L2	X642e
002INEU02	Pack MFD Installation High A4 L2	X644e/X646e/X646dte
002INEU04	Pack MFD Installation High A3 L2	X850e/X852e/X854e
002INEU05	Pack MFD Installation Scanner L2	4600 MFP Option

(1)Not applicable for the "Scanner only" Installation. (2)If installed. (3)MFD and server or PC have to be on same physical location. (4)Available for operating systems Windows 98, 2000, NT, ME, XP Others on demand. (5)This task includes only the set-up of the customer's mailbox. The task set-up does not cover the resolution of other potential problems regarding the mailbox. Non set-up related problems should be handled via Call Centre support. (6)IT manager or engineer should be present on site during installation.

# Lexmark Service Offerings

## Maintenance Kit Installation

Lexmark can make your life easier with the Maintenance Kit Installation service. A highly qualified technician will come on site and replace your used maintenance kit with your new one, with only a short delay.

### Maintenance Kits Installation

Products	Financial & Pack PN	
On-site	Lexmark Mono Printers A4	002348031
	Lexmark Color Printers A4	002348032
	Lexmark Mono Printers A3	002348033
	Lexmark Color Printers A3	002348034

## Choosing the right service for you

### THE OFFERING YOU NEED

All Service Offerings presented above exist in Lexmark Service Offerings Packs and direct sales. Total 2 year- and 4 year- contracts are also available for these products. Please contact the Contract Support Service representative in your country. For more information, visit [www.lexmark.co.uk/serviceofferings](http://www.lexmark.co.uk/serviceofferings)

### SERVICES OFFERINGS FOR MACHINES FROM PREVIOUS GENERATIONS

To get all information on Standard Services Offerings for machines from previous generations, please consult our Lexmark Services Brochure on [www.lexmark.co.uk/serviceofferings](http://www.lexmark.co.uk/serviceofferings)

### SPECIAL BID INFO

To find out about Lexmark's complete range of "non-standard" and customisable service offerings, please contact the Contract Support Service representative in your country. For more information, visit [www.lexmark.com](http://www.lexmark.com).



# Contacts



# Contacts



## Contacts



## Contacts



Specifications are subject to change without notice. Lexmark, Lexmark with diamond design is trademark of Lexmark International, Inc. registered in the United States and or other countries. All other trademarks are the properties of their respective owners.