

# Zebra Kiosk System Accessories Guide

Revised September 2024



 **ZEBRA**



# Z-Flex Connectors



SKU#	Description
	Z-FLEX SCANNER
ZFLX-SCNR-E00	<ul style="list-style-type: none"> <li>• Uses SE4720 scan engine</li> <li>• Connects to Z-Flex connector (USB-C port) on any side of KC50</li> <li>• Includes two screws for securing to KC50</li> </ul>



SKU#	Description
	Z-FLEX LIGHT BAR
ZFLX-LTBAR-200	<ul style="list-style-type: none"> <li>• Two-sided light bar</li> <li>• Connects to X-Flex connector (USB-C port) on any side of KC50</li> <li>• RGB colors</li> <li>• Includes two screws for securing to KC50</li> </ul>



## VESA Mounts

KC50 and TD50 support standard VESA 75x75mm and 100x100mm mounts

KC50 Kiosk Computer



KC50 Kiosk Computer



TD50 Touch Display

# Accessories that power device

## Power supply, cables, and adaptors



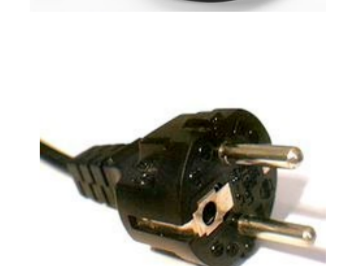
### Power supply

SKU#		Note
PWR-BGA24V78W4WW	AC/DC POWER SUPPLY. 5.5/2.5 PLUG. AC INPUT: 100-240V, 1.4ADC OUTPUT: 24V, 3.25A, 78W.	Requires: country specific grounded AC line cord



### Country-specific AC line cords: grounded, 3-prong

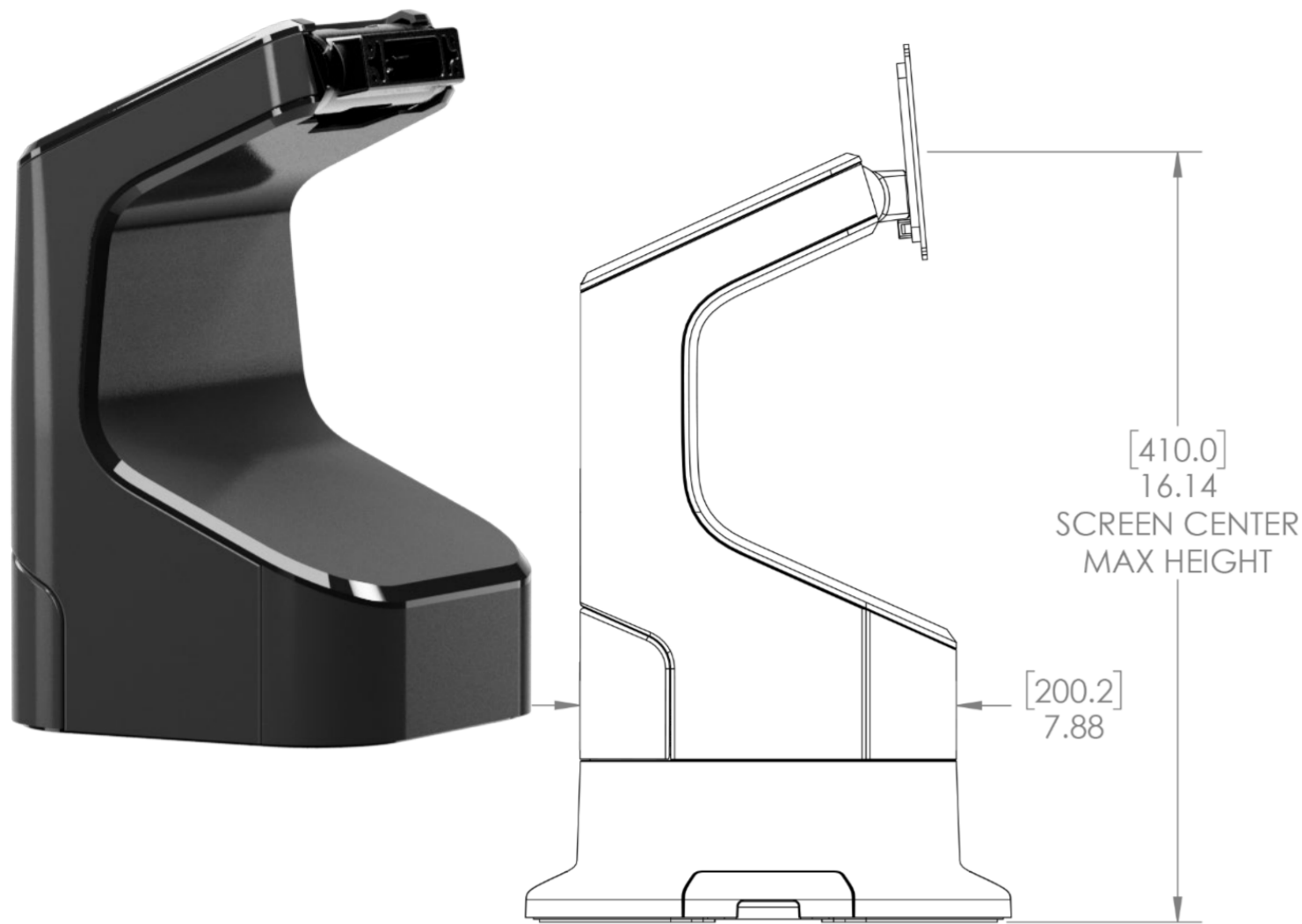
SKU#	Country / region	Note
23844-00-00R	North America (United States, Canada, Mexico)	7.5 feet long Commonly used with chargers mounted in server racks
50-16000-678R	North America (United States, Canada, Mexico)	3 feet long
50-16000-221R	North America (United States, Canada, Mexico)	6 feet long
50-16000-727R	Brazil	1.8 meters (6 feet) long
50-16000-680R	Argentina	1.8 meters (6 feet) long
50-16000-217R	American Samoa, Australia, New Guinea	1.8 meters (6 feet) long
50-16000-218R	Japan	1.8 meters (6 feet) long
50-16000-219R	Antigua, Bermuda, Burma, Channel Islands, Hong Kong, Iraq, Ireland, Malaysia, North Ireland, Scotland, Singapore, United Kingdom, Wales	1.8 meters (6 feet) long
50-16000-220R	Europe, Abu Dhabi, Bolivia, Dubai, Egypt, Iran, Korea, Vietnam	1.8 meters (6 feet) long
50-16000-671R	Italy	1.8 meters (6 feet) long
50-16000-669R	India, S. Africa, Africa	1.8 meters (6 feet) long



# Third Party Accessories for Zebra Kiosk System

Note: Products sold that do not bear the Zebra brand name are serviced and supported exclusively by their manufacturers in accordance with terms and conditions packaged with the products. Zebra's Limited Warranty does not apply to products that are not Zebra branded, even if packaged or sold with Zebra products. Please contact the manufacturer directly for technical support and customer service.

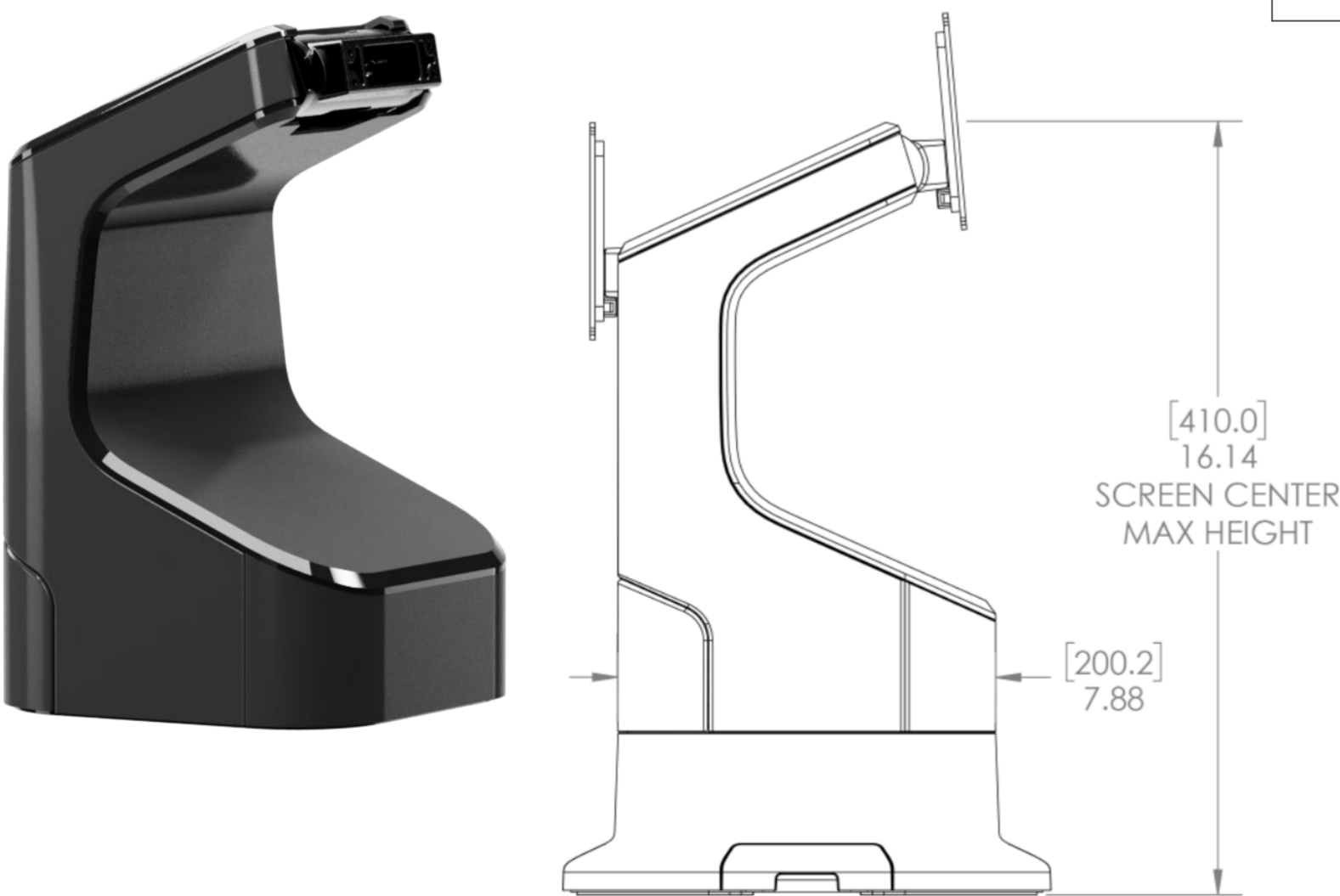
# Stands for Zebra Kiosk System



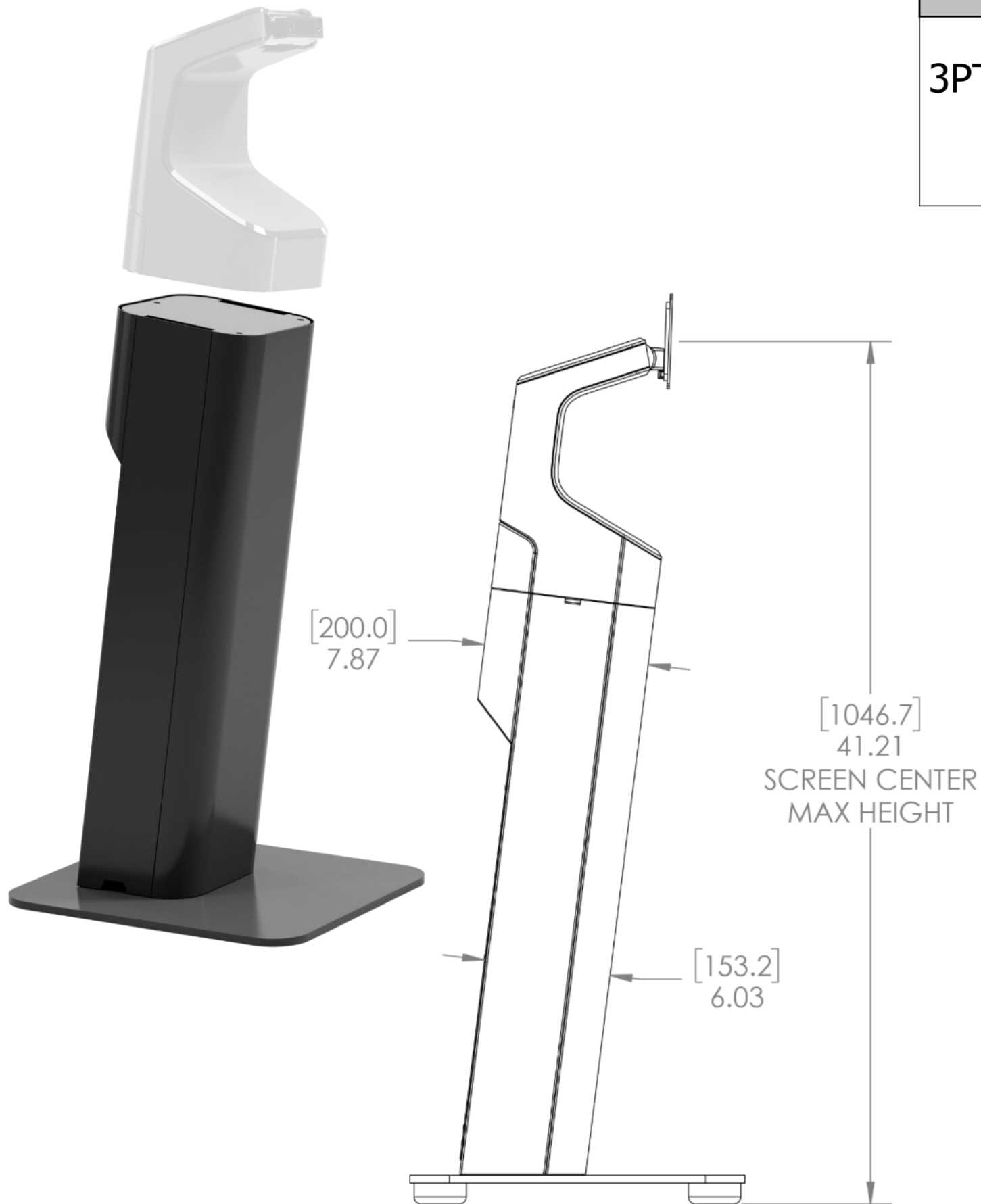
Part #	Description
3PTY-SC-2000-CF1-01	Kiosk Stand, KC50 compatible, Single display mount with countertop height base



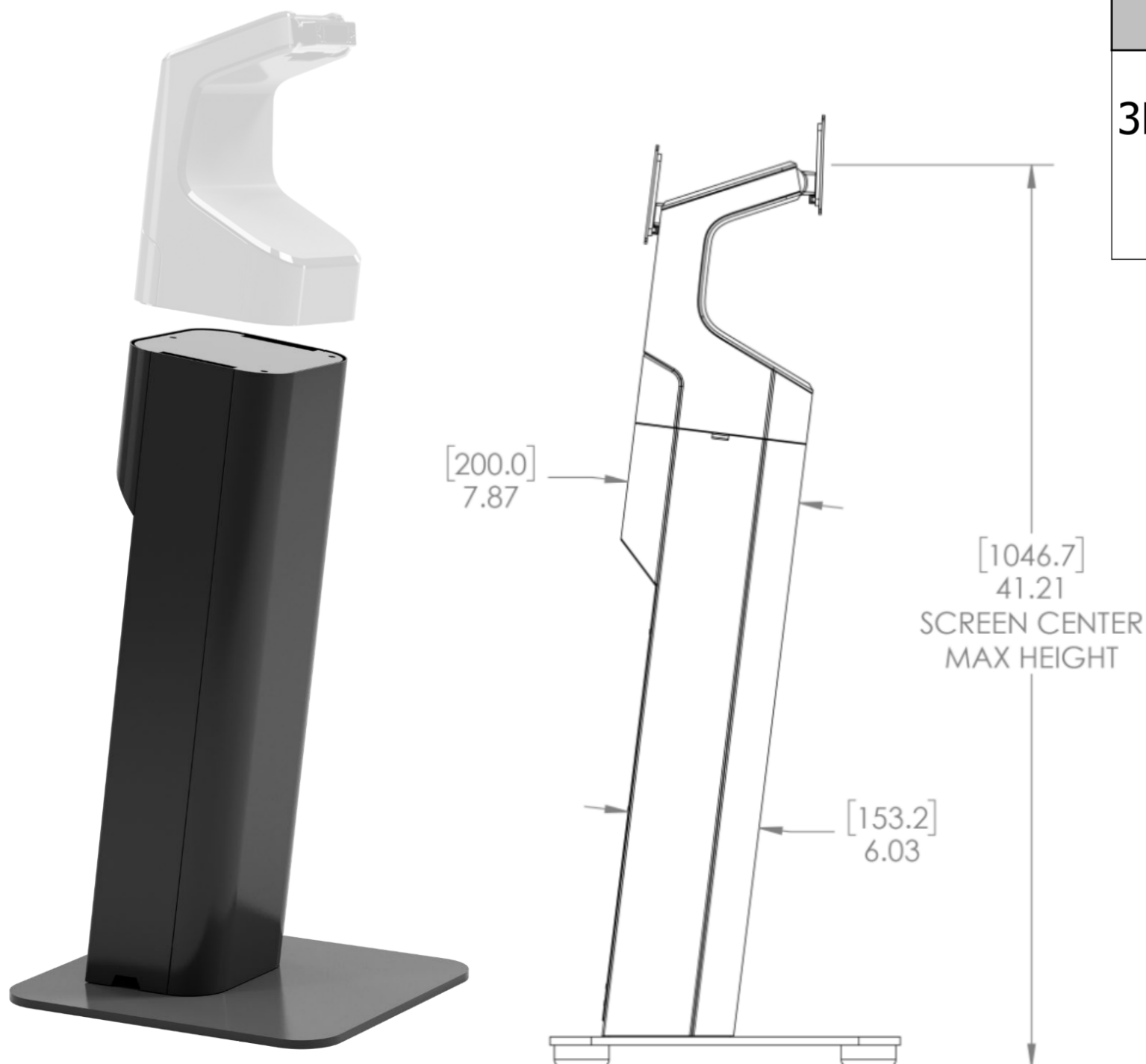
Part #	Description
3PTY-SC-2000-CF2-01	Kiosk Stand, KC50 compatible, Dual display mount with countertop height base



# Pedestals for Zebra Kiosk System



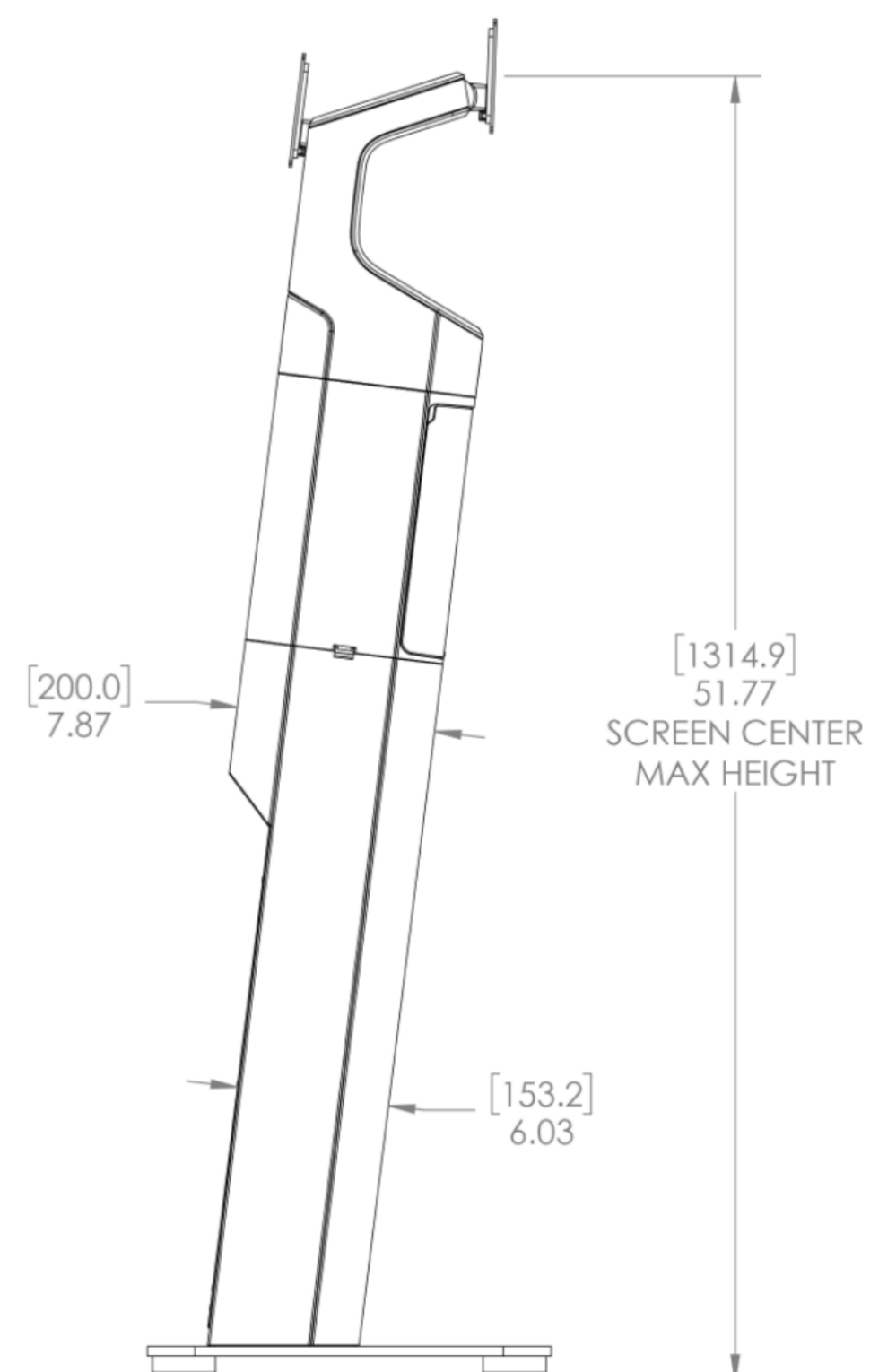
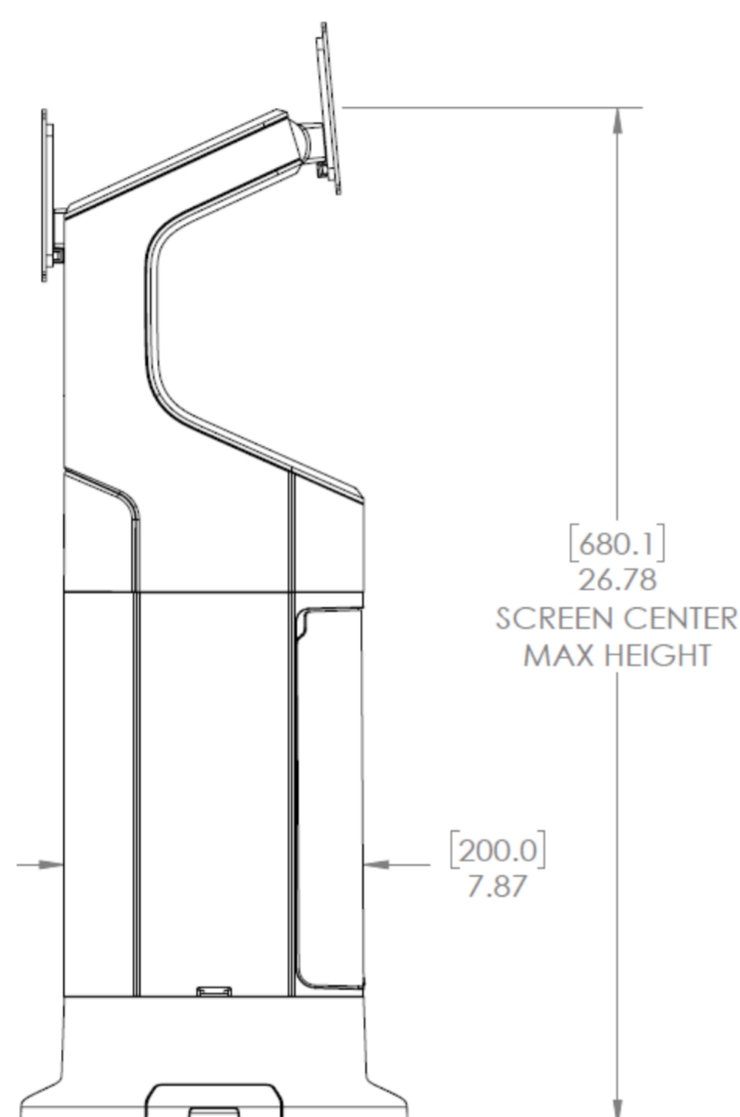
Part #	Description
3PTY-SC-2000-PB1-01	Kiosk Stand, KC50 compatible, Single Display mount with pedestal base. Riser or printer box sold separately - required for full height.



Part #	Description
3PTY-SC-2000-PB2-01	Kiosk Stand, KC50 compatible, Dual Display mount with pedestal base. Riser or printer box sold separately - required for full height.

# Riser for Pedestals and Stands

Part #	Description
3PTY-SC-2000-R1-01	<p>Kiosk Stand Riser, KC50 compatible</p> <p>Riser extends the height of Kiosk Stands with Countertop Base or Pedestal Base.</p> <p>Adds additional 10.6 in (269 mm) height.</p>





# Printer Box for Pedestals and Stands

Part #	Description
3PTY-SC-2000-PE-02	<p>Kiosk Stand Printer Enclosure, KC50 compatible.</p> <ul style="list-style-type: none"><li>• Enclosure extends the height of Kiosk Stands with Countertop Base or Pedestal Base.</li><li>• Adds additional 10.6 in (269 mm) height</li><li>• Provides storage and access to Epson T-88VII and similar receipt printers.</li><li>• Door with magnetic latch provides convenient access to printer for paper reloading or maintenance</li></ul>

