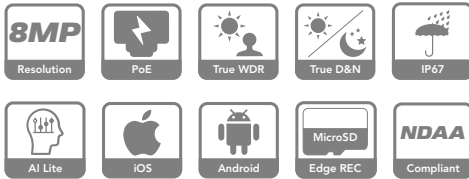


AVC-NCE81F28
8MP H.265 INFINITECOLOR TURRET CAMERA



InfiniteColor
(Full Color Technology)



8MP H.265 INFINITECOLOR TURRET CAMERA

8MP H.265 INFINITECOLOR TURRET CAMERA

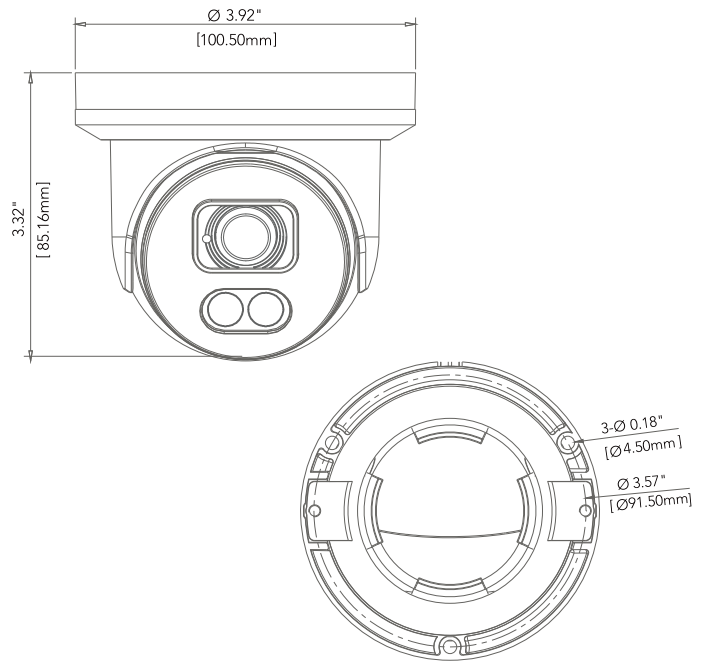
The AVYCON AVC-NCE81F28 camera is a 8MP H.265 Fixed Turret Camera. This 8MP IP camera supports True Day and Night mode, PoE, and up to 98ft. of Smart IR Illumination. It also incorporates AVYCON's InfiniteColor technology with the supplementation of a white floodlight, allowing videos to be viewed in color even in complete darkness. This camera includes a Fixed 2.8mm Lens. Also standard with this series is Digital NR, ROI, HLC, True WDR, and BLC capabilities. Optional accessories for this camera include a Junction Box Mount. Includes a MicroSD memory card slot for standalone recording applications.

FUNCTIONS

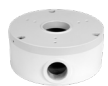
- 8MP (3840 x 2160) @ 20fps
- Max. Resolution: 3840 x 2160
- Supports Smart H.265/H.264 Encoding
- True Day & Night ICR
- Up to 98 ft. IR Illumination
- Fixed 2.8mm Lens
- 3D DNR, True WDR, HLC, BLC and ROI Encoding
- Supports Triple Streams
- Supports Remote Access with Windows, macOS, iOS and Android
- Operating Temperature: -22°F - 131°F
- DC12V / PoE (802.3af, ≤6W)
- Built-in MIC
- Built-in MicroSD Card Slot
- Built-in Reset Button
- NDA A Compliant

DIMENSIONS

Unit : inch (mm)



OPTIONAL ACCESSORIES



AVM-JB-BE-S1(-G)
 JUNCTION BOX



AVM-CWM-EV-S1
 WALL MOUNT



AVM-HWM-E-S1
 WALL MOUNT WITH
 JUNCTION BOX



AVM-HCM-E-S1
 CEILING MOUNT WITH
 JUNCTION BOX



AVM-CRM-A1
 CORNER MOUNT



AVM-POM-A1
 POLE MOUNT

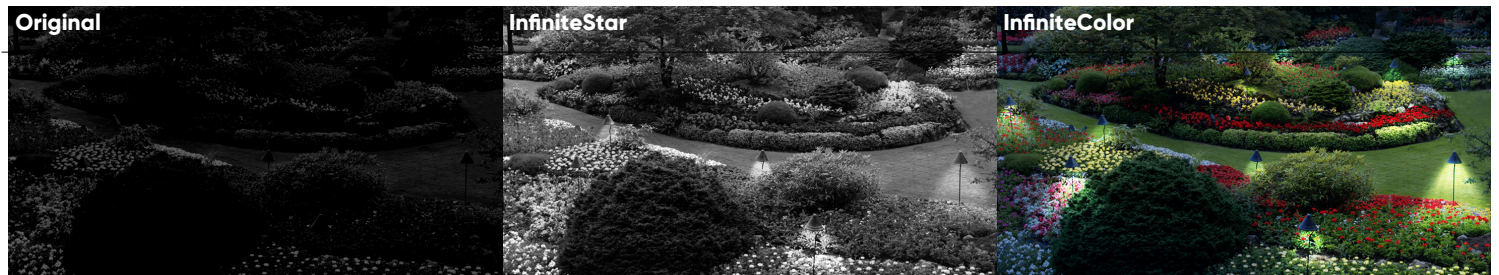


AVA-MICSPKSRN
 AUDIBLE AND VISUAL ALARM DEVICE

AVC-NCE81F28
8MP H.265 INFINITECOLOR TURRET CAMERA

SPECIFICATIONS

CAMERA											
Image Sensor	1/2.8" Progressive Scan CMOS										
Image Size	3840 x 2160										
Shutter Speed	1/5s to 1/20000s										
Min. Illumination	Color 0.007lux @ F1.0(AGC ON) ; B/W 0 lux @ IR ON										
IR Distance	Up to 95ft										
WarmLight Viewable Length	Up to 82ft										
Lens	2.8mm @ F No. 1.0 Horizontal: 105° Vertical: 55° Diagonal: 125°										
Lens Mount	M12										
Day & Night	Full Color Mode/Day&Night Mode/Schedule										
Wide Dynamic Range	True WDR										
Digital NR	Yes										
Backlight Compensation (BLC)	Off/On (5 Zone)										
Highlight Compensation (HLC)	Yes										
Defog	Yes										
Gain Control	Auto										
White Balance	Auto/Manual/Indoor										
Flip/Mirror	Yes										
Complementary Lighting	WarmLight x2, IR LED x2										
VIDEO IMAGE											
Video Compression	H.264 / H.265										
Resolution	8MP(3840x2160), 5MP(2592x1944,3072x1728), 4MP(2592x1520), 3MP(2304x1296), 1080P(1920x1080), 720P(1280x720), VGA(640x480), QVGA(320x240)										
Main Stream	8MP(3840x2160), 5MP(2592x1944,3072x1728), 4MP(2592x1520), 3MP(2304x1296), 1080P(1920x1080), 960P(1280*960), 720P(1280x720) @ 30 FPS										
Sub Stream	720P(1280x720), VGA(640x480), QVGA(320x240) @ 30 FPS										
Third Stream	VGA(640x480), QVGA (320x240) @ 30 FPS										
Video Bit Rate	256Kbps ~ 16Mbps										
Image Settings	Day & Night, BLC, WDR, DNR, Privacy Masking, White Balance										
ROI	Yes										
NETWORK / INTERFACE											
Network	RJ45(10/100BASE-T)										
Network Protocol	TCP/IP,HTTP,DHCP,DNS,DDNS,RTP/RTSP, SMTP,NTP,UPnP,SNMP,HTTPS,FTP										
Interface Protocol	ONVIF(Profile S/G/T)										
Web Browser	Mircosoft Edge, Safari, Firefox, Google Chrome										
Online Connection	Support simultaneous monitoring for up to 3 users; Support multi-stream real time transmission										
Security	IP Address Filter; Complicated Password; Authenticated Username and Password										
Streaming Method	Unicast / Multicast										
Storage	Built-in micro SD card slot, up to 256GB										
Video Output	No										
Audio	Built-in microphone										
Alarm	N/A										
Hardware Reset	Yes										
DORI DISTANCE											
	<table border="1"> <thead> <tr> <th>Lens</th> <th>Detect</th> <th>Observe</th> <th>Recognize</th> <th>Identify</th> </tr> </thead> <tbody> <tr> <td>2.8mm</td> <td>274.9ft (83.8m)</td> <td>109.3ft (33.3m)</td> <td>55.1ft (16.8m)</td> <td>27.6ft (8.4m)</td> </tr> </tbody> </table>	Lens	Detect	Observe	Recognize	Identify	2.8mm	274.9ft (83.8m)	109.3ft (33.3m)	55.1ft (16.8m)	27.6ft (8.4m)
Lens	Detect	Observe	Recognize	Identify							
2.8mm	274.9ft (83.8m)	109.3ft (33.3m)	55.1ft (16.8m)	27.6ft (8.4m)							
FUNCTIONS											
Remote Monitoring	Avycon CMSONE, Avycon Mobile One										
Smart Alarm	Motion Detection										
Smart Analytics	Face Recognition (FR) Human&Vehicle Detection (PD&VD) Perimeter Intrusion Detection (PID) Line Crossing Detection (LCD) Cross Counting (CC) Stationary Object Detection (SOD) Heat Map (HM) Crowd Density Detection (CD) Queue Lenght Detection (QD) license Plate Detection (LPD) Rare Sound Detection (RSD)										
GENERAL											
Power Supply	D12V/POE(IEEE802.3af)										
Power Consumption	TBD										
Operating Environment	-35~+60°C/less than ≤ 95% RHt										
Dimensions (in)	7.3" x 2.7" in (Ø186 X 70mm)										
Weight (lb)	.91b (415g)										
Ingress Protection	IP67										



Copyright © AVYCON. All rights reserved. Specifications and pricing are subject to change without notice.

phone: 949-752-7606
 email: info@avycon.com
 social: @avycon_aivo
 website: avycon.com