

CYBERVIEW 3020

3MP Smart WiFi Pan/Tilt Camera with Solar Panel



The Gyration Cyberview 3020 is a 3MP Smart WiFi Pan/Tilt Camera with Solar Panel, suitable for outdoor or indoor use. Support 24 Hrs. event recording; support two-way audio, AI motion detection. Support AI for event monitoring, Instant & accurate alerts; 2.4GHz WiFi connection, support Micro SD card, the maximum capacity can reach 128GB, support cloud storage; Support Android /iOS system mobile devices, remote real-time monitoring. The Cyberview 3020 initiates a video call via the CyberView Plus App when person trigger alert so you'll never miss a video conference or package delivery. See and talk to your visitors from your smartphone anywhere, any time. The built-in microphone and speaker make it easy for you to hear what's happening outside your property. With CyberView Plus app, you can protect, capture, save and share what's valuable to you.

KEY FEATURES

- High quality image with 3 MP, 1/2.8" CMOS sensor
- 3MP (2304*1296) @ 15 fps Resolution
- Supports Support Human Detection 、 Car recognition 、 Intelligent fence 、 Pet Recognition 、 Package Recognition and Intelligent Push
- Support Pan and Tilt with Digital Zoom
- Clear and smooth video browsing; intelligent transmission giving full play to capabilities of the network
- Supports Android /iOS system mobile devices for remote real-time monitoring
- With built-in rechargeable battery , support long battery life, which normal working up to 8 months and standby for 24 months
- Cloud storage, Micro SD card (up to 128GB) and mobile phone video recording supported
- IP65

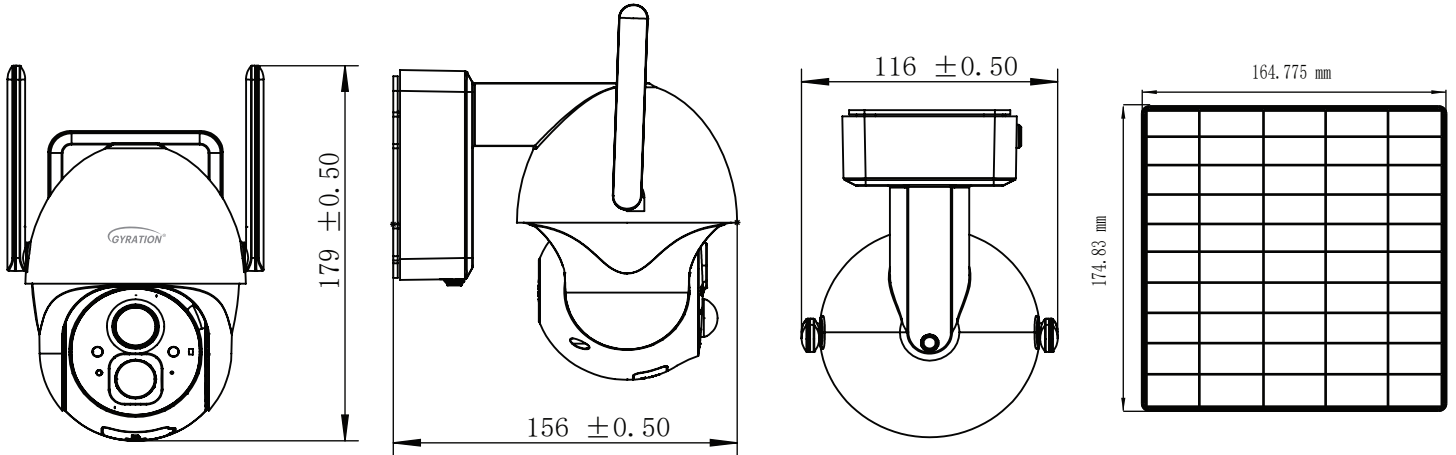


P/T camera Specification		
Image Sensor	Sensor	1/2.8" color CMOS Sensor
	Lens	M12, f: 3.2 mm, F2.2, 3-megapixel
	Visual angle	H (horizontal) 96 degrees; V (vertical) 56 degrees; D (diagonal) 128 degrees
	Minimum Illumination	0.01Lux
Audio	Input/Output	Two-way voice intercom available (built-in Microphone and speaker)
	Audio Compressing Method	AAC
Video	Video Compressing Method	H.264, H.265
	Lighting Frequency	50 Hz, 60 Hz
	Image Frame Rate	15 fps
	Maximum Image Resolution	2304*1296
	Light Source for Night Vision	Mid-power infrared lamp (850nm in wavelength) / dual-source white-light source with an irradiation distance of 7m
Network	Wireless Network	2.4G Wi-Fi (IEEE802.11b/g/n) , built-in antenna
	Protocols Supported	TCP/IP, UDP/IP, DHCP, RTMP, MUDP
	IP Address Supported	Dynamic IP address supported
Pan-tilt	Rotation angle	H (horizontal) 355 degrees; V (vertical) 90 degrees
AI	Intelligent Features	Human contour detection, activity zone, vehicle detection, pet snapshot and package inspection
Alarm Notification	Alarm Methods	Alarm push by mobile APP, white light flashing and alarm sound
Wake-up	Wake-up Method	PIR body induction wake-up, and remote wake-up
Video Recording	Recording Method	Alarm triggered recording, and manual recording
	Video Storage	Cloud storage, local Micro SD card, and mobile phone memory
Indicator Lamps	LED Indicator	RGB tri-color lamp indicating the status of power/network signal/functionality

Battery	Capacity	9000 mAh
	Removability	Unremovable
	Battery Life	8 months (provided that 20 10s videos are recorded per day, pan-tilt does not rotate)
	Standby Time	2 years
	Charging Voltage	DV 5V+ -5% 1.5A
	Charge Time	Within 15 hours
	Protection Method	IP65 is dustproof and waterproof; over-current/over-discharge/over-charge/short circuit/charging protection at high & low temperatures
Power	Standby Power Consumption	1.68 mW
	Power Consumption of Daytime Operation	0.88 W
	Power Consumption of Operation at Night	2.23 W
	5W Ultra Slim Solar Panel	Micro-USB; Standard Working Voltage: 6V ±5%; Standard Working Current: 830mA ±5%; Cable Length: >2.9m; Material: PVC; Cable Diameter: (13/0.15BC)*2C
Interfaces	Power Supply	1 Micro USB interface
	SD Card	1 Micro SD card (up to 128GB supported)
	Keys	1 reboot key and 1 on/off key
Installation Method	Installation Method	Magnet and 1/4 universal screw holes
Environment	Dustproof and waterproof	IP65
	Operating Environment	-10 °C ~ 45 °C
	Storage Environment	-20 °C ~ 60 °C
General	Size (LxWxH)	116*156*179
	Net Weight	Around 580 g
	Gross Weight	Around 650 g
	Material + Process	ABS+PC
	Color	White
Certifications	Certificate	CE, FCC, RoHS, WEEE, MSDS, UN38.3

Solar Panel Specification		
Dimensions	Length	169±0.25mm
	Width	159±0.25mm
	Thickness	2.5±0.3mm
	Deformation	≤1mm
Composition Materials	PCB	1.2 mm glass fiber
	Welding Width	1.6*0.12mm
	Solar Cell Sheet	0.18mm thick, 158 single imbricated solar cells
	EVA	0.45mm、 0.45mm
	ETFE	0.02mm
	Black Tape	4.0*185mm
	Plastic shell	173.8*163.8*14.7mm
	Wire	TYPE-C head or Micro USB 5P round head
performance parameters	The Output Power(STC)	≥4.6W
	Standard Operating Voltage(STC)	≥4.5V
	Standard Operating Current(STC)	≥1.02A
	Standard Test Conditions(STC)	AM=1.5 , 25°C , 1000W/m ² , SMQ+12%
Environment	Dustproof & Waterproof	IP65
	Temperature	-20 ° C to 60 ° C
	Humidity	not more than 60%

Dimensions (mm)



Shipping Information:

Item	UPC Code	Package Dimensions	Package Weight	Qty/Carton
CyberView 3020	744390953507	7.8 x 7.24 x 4.49 Inch	2.7 Lbs	8



User Manual