

## CYBERVIEW 3010

### 3 MP Smart Wifi Wireless Doorbell



The Gyration Cyberview 3010 is a 3 mp Smart AI Wi-Fi wireless battery camera, suitable for outdoor or indoor use. Support 24 Hrs. event recording; support two-way audio, AI motion detection. Support AI for event monitoring, Instant & accurate alerts; 2.4GHz WiFi connection, support Micro SD card, the maximum capacity can reach 128GB, support cloud storage; Support Android /iOS system mobile devices, remote real-time monitoring. The Cyberview 3010 initiates a video call via the CyberView Plus App when person trigger alert so you'll never miss a video conference or package delivery. See and talk to your visitors from your smartphone anywhere, any time. The built-in microphone and speaker make it easy for you to hear what's happening outside your property. With CyberView Plus app, you can protect, capture, save and share what's valuable to you.

### KEY FEATURES

- High quality image with 3 MP, 1/2.9" CMOS sensor
- 3MP (2304\*1296) @ 15 fps Resolution
- Supports Support Human Detection 、 Car recognition 、 Intelligent fence 、 Pet Recognition 、 Package Recognition and Intelligent Push
- Support two ways talk and echo cancellation , noise suppression
- Clear and smooth video browsing; intelligent transmission giving full play to capabilities of the network
- Supports Android /iOS system mobile devices for remote real-time monitoring
- With built-in rechargeable battery , support long battery life, which normal working up to 8 months and standby for 15 months
- Cloud storage, Micro SD card (up to 128GB) and mobile phone video recording supported
- IP65

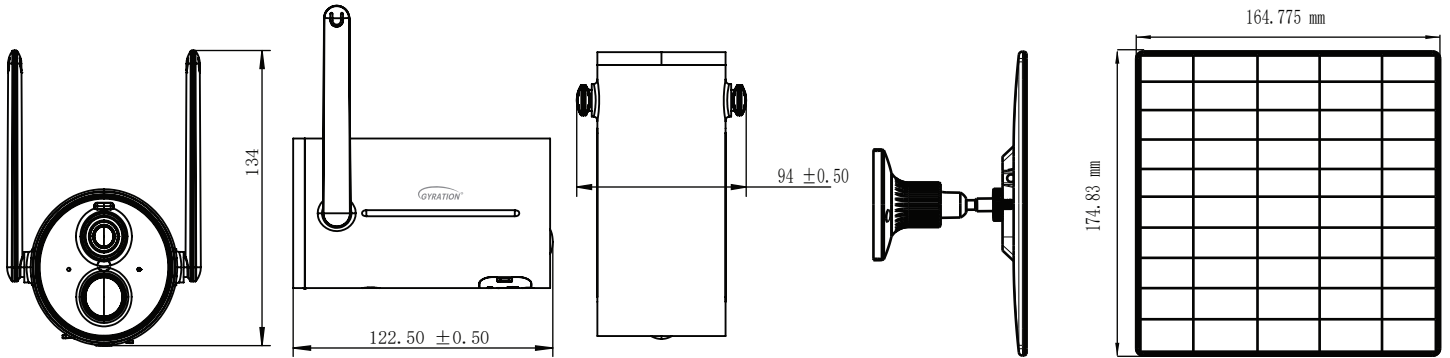


Bullet Camera Specifications		
<b>Main Processor</b>	SOC	ARM
<b>Image Sensor</b>	Cmos Sensor	1/2.9" Color CMOS Sensor
	Lens	M12,f: 3.3mm,F2.0, 3MP
	Visual angle	H(Horizontal)°; V(Vertical)55°; D(Diagonal)110°
	Minimum Illumination	0.01Lux
<b>Audio</b>	Input/Output	built-in Microphone and speaker
	Audio Compressing	AAC
<b>Video</b>	Video Compressing	H.264/H.265
	Lighting Frequency	50Hz, 60Hz
	Frame Rate	15fps
	Maximum Resolution	2304*1296
	Light Source for Night Vision	Double light source with medium power infrared LED (850nm wavelength) and white LED , irradiation distance :7 meters
<b>Network</b>	Wireless Network	2.4G Wi-Fi(IEEE802.11b/g/n), with External antenna
	Protocols Supported	TCP/IP、 UDP/IP、 DHCP、 RTMP、 MUDP
	IP Address Supported	Dynamic IP address supported
<b>AI</b>	Intelligent Features	Support Human Detection 、 Car recognition 、 Intelligent fence 、 Pet Recognition 、 Package Recognition and Intelligent Push
<b>Alarm</b>	Alarm Notification	Alarm push by mobile APP , white LED flashing and alarm sound warning
<b>Wake up</b>	Wake up Method	PIR body induction wake-up, and remote wake-up
<b>Recording</b>	Recording Method	Alarm triggered recording, and manual recording
	Video Storage	Cloud storage, local Micro SD card, and mobile phone memory
<b>Indicator</b>	LED Indicator	RGB tri-color lamp indicating the status of power/network signal/functionality

<b>Battery</b>	Capacity	9000mAH
	Removability	Unremovable
	Battery Life	8 months (Record 20 10S videos per day)
	Standby	15 months
	Charge Voltage	DV 5V+ -5%/1.5A
	Charge time	17hours
	Protect	IP65; over-current/over-discharge/over-charge/short circuit/charging protection at high & low temperatures
<b>Power</b>	Standby	1.68mW(4V 0.42mA)
	Day	1W(3.8V 264mA)
	Night	2.23W(3.8V 588mA)
	5W Ultra Slim Solar Panel	Micro-USB; Standard working voltage: 6V ±5%; Standard working Current: 830mA ±5%; Cable Length: >2.9m; Material: PVC; Cable Diameter: (13/0.15RC)*2C
<b>Interface</b>	Power	Micro USB
	SD Card	1 Micro SD card (up to 128GB supported)
	Key	one reset key and one power key
<b>Installation</b>	method	1/4 universal screw holes
<b>Environment</b>	Dustproof and waterproof	IP65
	Operating Environment	-10° ~ 45°C /10% ~ 80% (no condensation)
	Storage Environment	-20°C ~ 60° /0% ~ 90% (no condensation)
<b>Dimension</b>	dimension(LxWxH)	81.3*119.2*80.6(mm)
	The bare weight	500g
	finished weight	600g
	Material	ABS+PC
	Color	White
<b>Certification</b>	Certification	CE,FCC,RoHS,WEEE,MSDS,UN38.3

Solar Panel Specification		
<b>Dimensions</b>	Length	169±0.25mm
	Width	159±0.25mm
	Thickness	2.5±0.3mm
	Deformation	≤1mm
<b>Composition Materials</b>	PCB	1.2 mm glass fiber
	Welding Width	1.6*0.12mm
	Solar Cell Sheet	0.18mm thick, 158 single imbricated solar cells
	EVA	0.45mm、 0.45mm
	ETFE	0.02mm
	Black Tape	4.0*185mm
	Plastic shell	173.8*163.8*14.7mm
	Wire	TYPE-C head or Micro USB 5P round head
<b>performance parameters</b>	The Output Power(STC)	≥4.6W
	Standard Operating Voltage(STC)	≥4.5V
	Standard Operating Current(STC)	≥1.02A
	Standard Test Conditions(STC)	AM=1.5 , 25°C , 1000W/m <sup>2</sup> , SMQ+12%
<b>Environment</b>	Dustproof & Waterproof	IP65
	Temperature	-20 ° C to 60 ° C
	Humidity	not more than 60%

## Dimensions (mm)



### Shipping Information:

Item	UPC Code	Package Dimensions	Package Weight	Qty/Carton
CyberView 3010	744390953491	7.20 x 6.65 x 3.7 Inch	1.8 Lbs	10



User Manual