



Turing CORE AI cloud VSaaS-ready w/ SMART Series NVR & bridge



People & vehicle detection on the edge



Large sensor full color low light performance



White light LED

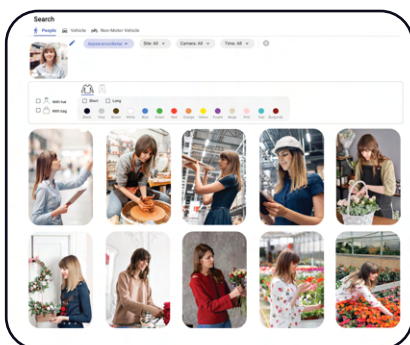


NDAA compliant

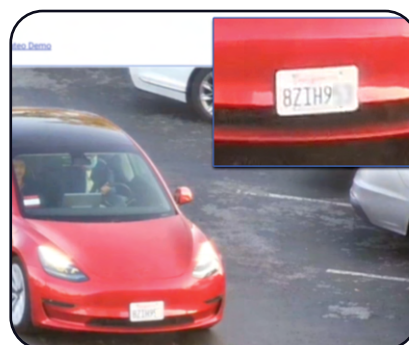


Up to 10-year extended warranty with CORE AI license

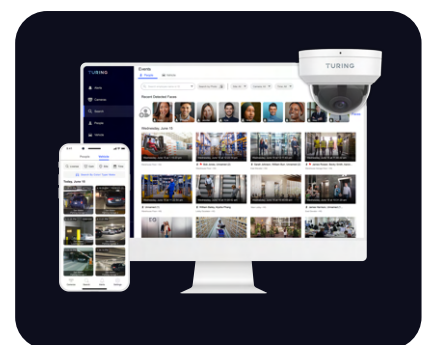
## Fast & Easy Security Workflow with CORE AI License



People\* & vehicle attribute search



License plate recognition with black- and whitelists



Customized smart alerts anywhere using Vision apps

\*Activation depends on state regulations and the compliance with Biometric Information Protection Act (BIPA). Please refer to our privacy policy.



4 or 8MP | Fixed Lens | White Light LED | Vibrantview™ Full Color

## SPECIFICATIONS



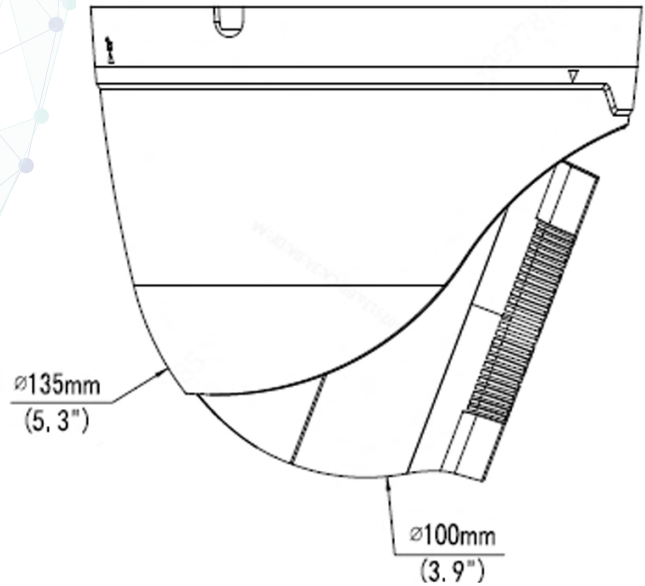
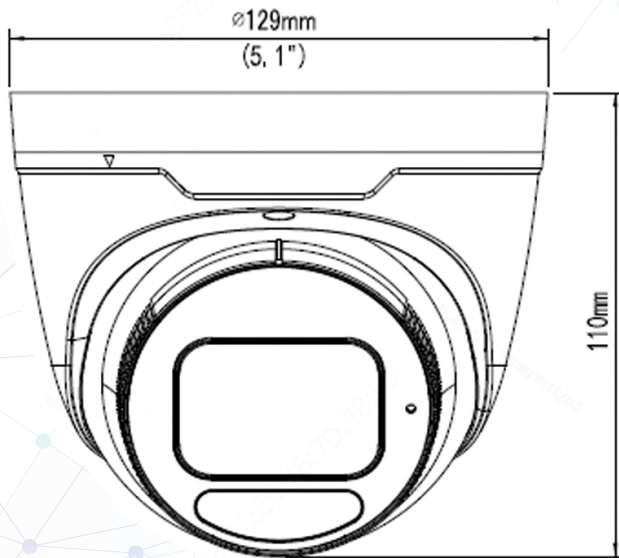
Q2 2023

Model Number	TP-MED4M28C	TP-MED8M28C
Sensor	1/1.8", 4.0 megapixel Progressive Scan CMOS	1/1.8", 8.0 megapixel Progressive Scan CMOS
Minimum Illumination	Color: 0.0005 Lux (F1.0, AGC ON); IR-cut filter with auto switch (ICR)	Color: 0.001 Lux (F1.0, AGC ON); IR-cut filter with auto switch (ICR)
Lens	2.8 mm fixed lens; F1.0	2.8 mm fixed lens; F1.0
Field of View	H: 108.6°; V: 81.3°; D: 135.1°	H: 110.5°; V: 59.06°; D: 143.19°
Manual Angle Adjustment	Pan: 0°~360°; Tilt: 0°~75/72°; Rotate: 0°~360°	
Supplemental Lights	White light LED x 2 up to 98 ft (30m)	
Video Encoding	Ultra 265, H.265, H.264, MJPEG	
Max Video Resolution & Frame Rate	Main Stream: 2688*1520 @ 30 FPS Sub Stream: 1280*720 @ 30 FPS Third Stream: 720*576 @ 30 FPS	Main Stream: 3840*2160 @ 30 FPS Sub Stream: 1920*1080 @ 30 FPS Third Stream: 720*576 @ 30 FPS
Digital Processing	120 dB wide dynamic range (WDR); 2D & 3D digital noise reduction; defog	
On-Screen Display & Masking	Up to 8 OSD; up to 4 areas privacy masks; Up to 8 ROI; Triple Streams	
Image Flip & Rotation	Normal / Vertical / Horizontal / 180° / 90° Clockwise / 90°Counterclockwise	
Event Handling	Basic: motion detection, tampering alarm, audio detection; Intelligent: cross Line, intrusion, enter area, with people, vehicle, and non-motor vehicle classifications	
Audio	Onboard mic, audio I/O available; G.711 Audio Compression, 64Kbps Audio Bitrate, Two-way audio and suppression, 8KHz Sampling Rate	
Cloud VSaaS Integration	Turing Vision, with SMART Series NVR, Bridge, and CORE AI license	
Software Clients	Turing Vision mobile & desktop APP; SMART Station	
ONVIF Compatibility	Profiles S, G, T	
Network Interface	1 * RJ45 10M/100M Base-TX Ethernet	
Onboard Storage	microSD (not included), up to 256 GB	
Reset Button	Supported	
Power & Protection	DC 12V±25%, PoE (IEEE 802.3af); up to 9.0W; 4KV Surge Protection	DC 12V±25%, PoE (IEEE 802.3af); up to 11W 4KV Surge Protection
Dimensions & Weight	Φ5.1" x 4.3" (Φ129 x 110mm); 1.52lb (0.69kg)	Φ5.1" x 4.3" (Φ129 x 110mm); 1.41lb (0.64kg)
Temperature & Humidity Ratings	Working: -22°F ~ 140°F (-30°C ~ 55°C), Humidity: ≤95% RH (non-condensing) Storage: -22°F ~ 140°F (-30°C ~ 55°C), Humidity: ≤95% RH (non-condensing)	
Certifications	FCC, UL, CE	
Environmental Protection	IP67	

## ORDERING INFORMATION

Resolution	Camera Only	Camera w/ 1-Yr Lic	Add 1-Yr License	Add 3-Yr License	Add 5-Yr License	Add 10-Yr License
4MP	TP-MED4M28C	TP-MED4M28C-1Y	TV-CORE1Y	TV-CORE3Y	TV-CORE5Y	TV-CORE10Y
8MP	TP-MED8M28C	-	TV-CORE1Y	TV-CORE3Y	TV-CORE5Y	TV-CORE10Y

## DIMENSIONS



## MOUNTING ACCESSORIES

