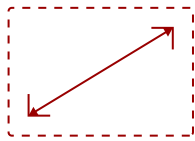


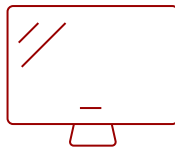
CDE7530

Key Features

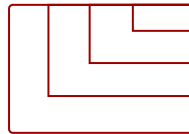
- Multiple Ways To Connect And Share Content
- AV Control System Interoperability
- Centralized Control Device Management
- Reliable 24/7 Operation Rating
- Superb And Stunning Picture Quality
- Powerful Secured Embedded Platform



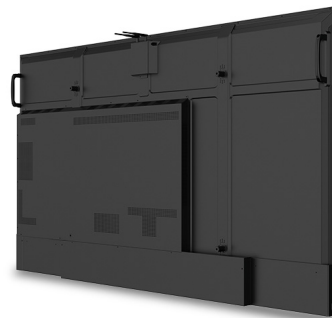
75
DISPLAY



ADS
PANEL



RESOLUTION



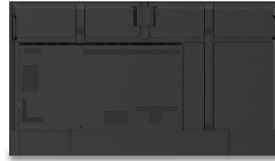
Product Description

Streamline your presentations, enhance collaboration, and succeed with the ViewSonic CDE7530 digital display. Whether your employees are in office or working remotely, they will enjoy fast and easy ways to communicate thanks to ViewBoard Cast™ screen sharing software and the myViewBoard® Display app that allows up to four participants to connect and share content. For maximum visibility even in rooms with high ambient light, these displays offer stunning 4K Ultra HD resolution, high brightness and a 25% high haze anti-glare screen. What's more, these all-in-one displays simplify installation and maintenance thanks to a powerful secured embedded platform that delivers smooth content playback without the need for a PC or media player.

Specifications

Display Type	LCD
Screen Size	75
Viewable Area (in.)	75
Orientation	Landscape / Portrait
Colors	1.07B
Color Space Support	8 bit + FRC
Light Source	DLED
Resolution	3840 x 2160
Refresh Rate (Hz)	60
Panel Type	ADS
Aspect Ratio	16:9
Static Contrast Ratio	1,200:1
Dynamic Contrast Ratio	5,000:1
Backlight Life (Hours)	50,000
Brightness	450 cd/m2
Response Time (Typical GTG)	8ms
Bezel Width (in.)	0.59 (uniform)
Bezel Width (mm)	15 (uniform)
Viewing Angles	178° horizontal, 178° vertical
Panel Surface	Anti-Glare type, Hard-coating (3H), Haze 25%
Operation Rating	24/7
Ethernet LAN	10/100/1000 MB
Wifi	Wi-Fi 6 (802.11ax (a/b/g/n/ac/ax))
Bluetooth	Bluetooth 5.0
OS	Android 11.0
Media Player Type	Media Player
GPU	G52MP2
CPU	Amlogic T982 / 1.9GHz CPU
CPU Processor Speed	Quad-core, 1.5GHz
Memory	4GB DDR4
Storage	32GB
Built-in Software	HTML5, JavaScript and CSS
Internal Speakers	10W (x2)
HDMI 2.1 In	3
Audio-out (HDMI ARC)	1
HDMI 2.0 Out	1

HDMI 2.0 (with HDCP 2.2)	3
SPDIF Audio Out	1
USB 3.0	1
USB 2.0	1
USB Type C	1
RS232	1
Ethernet LAN (RJ45)	1
WIFI Module Slot	1
Intel® OPS Slot In (80-pin)	1
Voltage	100-240 VAC +/- 10% Wide Range, 50-60Hz +/-3 Hz
Consumption (max)	415W
Consumption (typical)	235W
Stand-by	<0.5W
Temperature	32-104° F (0 - 40° C)
Humidity (non-condensing)	20-80%
Net (lbs)	56.0
Gross (lbs)	73.3
Net (kg)	25.4
Gross (kg)	33.3
Packaging (in.)	73.35 x 42.91 x 8.86
Physical (in.)	66.36 x 37.94 x 3.21
Packaging (mm)	1863 x 1090 x 225
Physical (mm)	1685.6 x 963.7 x 81.6
VESA Compatible	800 x 400 mm
Screw Size	M8
Screw Length (mm)	25
AV Control	AMX Certified, Extron Certified, Crestron Connected
Warranty	Three-year limited warranty on parts, labor and backlight
Recycle/Disposal	Please dispose of in accordance with local, state or federal laws.
PACKAGE CONTENTS	CDE7530 Wireless Presentation Display, Remote control with batteries, Quick Start Guide, Power cable, HDMI Cable, USB-C cable, Wall Mount Screws and RS232 cable
Regulations	cTUVus, FCC, Energy Star 8.0, RoHS, Mexico NOM, Mexico Energy



Contact Sales

ViewSonic.com

888.881.8781

email:

salesinfo@viewsonic.com