

## Universal Laptop Holder for Monitor Arms

Part Number: K53801WW | UPC Code: 0 85896 53801 1

Raise your laptop,  
free up desk space.

At home or in a traditional office, you want to be comfortable and productive. Many studies suggest that multiple monitors help increase productivity, including using your laptop as an additional screen.

Easily raise or lower your laptop to an optimal viewing level and create an ideal desktop setup with the Universal Laptop Holder for Monitor Arms. Mounting easily to any monitor arm with a standard VESA® 75/100 plate, the holder provides a stable and secure laptop platform that's off the desk and out of the way.

Strong but gentle clamps provide a stable and secure platform, freeing up valuable desk space.

Features include:

- Mounts easily to any monitor arm with a standard VESA® 75/100 plate
- Saves space
- Supports laptops up to 16" and up to 9.9lbs (4.5kg)
- Adjustable clamps and safety tabs secure laptop
- Open design assists airflow
- Sturdy construction

## Universal Laptop Holder for Monitor Arms

Part Number: K53801WW | UPC Code: 0 85896 53801 1



### Mounts Easily To Any Monitor Arm with a Standard VESA® 75/100 Plate

Takes the guesswork out of compatibility.



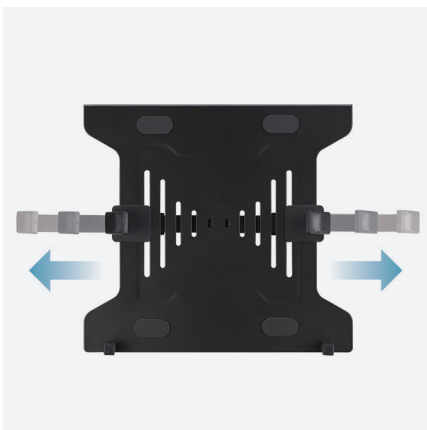
### Saves Space

Utilizes one monitor arm to raise the laptop off the desktop and free up desk space.



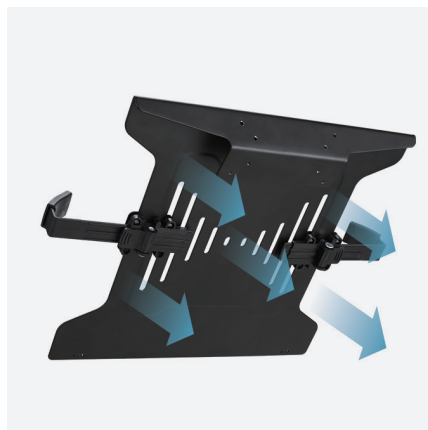
### Universally Compatible

Supports laptops up to 16" and up to 9.9lbs (4.5kg).



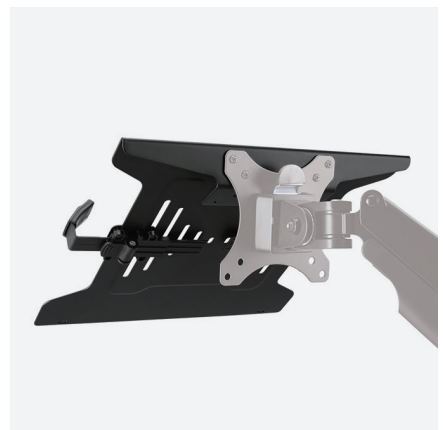
### Adjustable Clamps and Safety Tabs

Secure the laptop tightly, and prevent it from slipping.



### Open Design

Promotes air circulation to cool the laptop.



### Sturdy Construction

Provides a stable and secure laptop platform.

## Universal Laptop Holder for Monitor Arms

Part Number: K53801WW | UPC Code: 0 85896 53801 1

### Material Specifications

Laptop Holder	Steel with Powder Coating
Width Adjusting clamps	240 - 420mm (9.45 - 16.54")
Safety Ledge Stopper	Black plastic

### Other Features

Compatibility	VESA® 75 and 100 compatible monitor arms
---------------	------------------------------------------

### Product Dimensions

Unit Dimensions with Peripherals (like cap)	300 x 280 x 44mm (11.8 x 11 x 1.7in)
Unit Weight	1.18kg (2.60lbs)
Unit Dimensions without Peripherals	300 x 280 x 44mm (11.8 x 11 x 1.7in)
Enclosure Color & Material	Black
Desktop Footprint	300 x 280mm (11.8 x 11in)
Weight Capacity	4.5kg (9.9lbs)
Laptop Size Support	Compatible with laptops up to 16"

### Packaging Dimensions

Packaging Style	Brown Box
Packaging Dimensions	335 x 296 x 50mm (13.19 x 11.65 x 1.97in)
Packaging Weight	1.60kg (3.53lbs)
Packaging Content	1 x Laptop Holder for VESA Compatible Monitor Arms (including installation kit with parts), 1 x Warranty Card, 1 x Installation Guide.

### Width Adjustments

Width	240 - 420mm (9.45 - 16.54")
-------	-----------------------------

### Country of Origin, Regulatory, and Warranty

Country of Origin	China
Certifications & Compliance	REACH, RoHS, Prop 65
Warranty	2-Year Limited



All specifications are subject to change without notice. Products may not be available in all markets. Kensington and the ACCO name and design are registered trademarks of ACCO Brands. Kensington The Professionals' Choice is a trademark of ACCO Brands. All other registered and unregistered trademarks are the property of their respective owners. © 2022 Kensington Computer Products Group, a division of ACCO Brands. All rights reserved. k21-20027p

# Kensington

The Professionals' Choice™