



Vertiv™ Liebert® GXT5 Lithium-Ion UPS

1000 - 3000VA 120V

Rack/Tower

Intelligent and Efficient Double
Conversion Online UPS Offers the
Highest Level of Power Protection



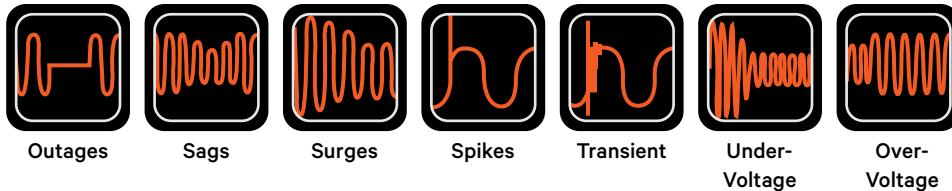
The Vertiv™ Liebert GXT5 Lithium-Ion UPS provides the highest level of power protection for your business critical IT applications.

High Performance Online Power Protection

The GXT5 Lithium-Ion double conversion online UPS provides both the highest level of power conditioning and battery backup for business critical IT equipment such as business network gear and servers ensuring your mission-critical applications are protected in the event of an unanticipated loss of power or an unprecedented power surge.

The GXT5 Lithium-Ion UPS protects against the widest range of power fluctuations and automatically switches to battery backup when power loss is detected. With a 0.9 or better output power factor (PF) and no transfer time to operation on battery, you can ensure your most critical assets are protected.

Protects Against



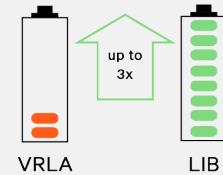
The rack/tower convertible design of the Vertiv Liebert GXT5 Lithium-Ion UPS makes it ideal for edge or distributed IT applications where floor space is at a premium. It is a true low-maintenance, set-it and forget-it solution ideal for remote locations with limited onsite technical resources.

Vertiv Liebert GXT5 Lithium-Ion Overview

- 1000VA, 1500VA, 2000VA, & 3000VA UPSs in a rack/tower convertible form factor
- Standard 5-year warranty provides peace of mind that your investment is protected against potentially costly equipment failures
- Achieve the lowest total cost of ownership over the lifetime of the UPS with fewer battery replacements and up to 10 years of useable life
- Hot-swappable, user-replaceable batteries increase the useable life of the UPS by allowing you to easily replace the batteries without disrupting power to connected equipment
- Internal batteries offer industry-leading runtime (up to 14 minutes at full load) to protect critical equipment during an unexpected power loss
- Lithium-Ion battery technology offers better performance in high temperature environments, supports up to 10 times more discharge cycles, and delivers faster recharge times compared to VRLA batteries

Why should you choose Lithium-Ion Technology?

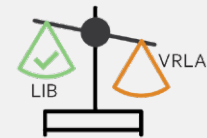
LONGER LIFE



LOWEST TCO



SMALLER AND LIGHTER



LONGER RUNTIME



ENVIRONMENTALLY FRIENDLY



FAST BATTERY RECHARGE



Lithium-Ion technology delivers up to 3 times the life expectancy of lead-acid batteries and lowers the total cost of ownership by nearly half

Lithium-Ion Outperforms VRLA when compared...

Battery Feature	VRLA Battery	Lithium-Ion Battery	Lithium-Ion Benefit
Standard battery life	3-5 years	8-10 years	Up to 3 times longer life
Typical cycle life	200-260	2000	Up to 10x more discharge/recharge cycles
Battery recharge time (@ 90%)	3-6 hours	<2 hours	Fast recovery time safeguards your critical IT equipment in the event of multiple outages
Battery weight	10.9 kg	5.9 kg	45% lighter making it ideal for small spaces and wall-mount racks
Warranty	2 or 3 years	5 years	Worry free operation so you can set-it and forget-it

Visit the TCO calculator at vertiv.com -> Products & Services -> UPS -> GXT5 Lithium -> Models to calculate the cost savings for your installation.

Build Your Total Infrastructure Solution with Vertiv

Discover expert designed IT infrastructure solutions with proven success in diverse environments and countless applications.

Vertiv™ VR Rack
Self-contained 42U server rack designed to simplify equipment installation and provides an additional 6cm of useable depth.

Vertiv™ Geist™ rPDU
Reliable power distribution with outlet level remote monitoring and management providing the highest level of power visibility and control.

Cable and Air Flow Management
Included accessories ensure proper cable management and airflow to keep your equipment cool.

Software and IT Management
Monitor the entire system either locally or remotely to ensure you are alerted of out-of-range conditions that could result in costly downtime.

Vertiv™ VRC
Keep critical IT equipment cool with a dedicated high-efficiency rack-mount cooling system with scalable capacity.

Vertiv™ Liebert GXT5 Lithium-Ion UPS
Protect mission critical equipment in the event of power loss or extreme power fluctuations.

Visit Vertiv.com or contact a Vertiv Sales Representative today to find out how Vertiv can help you configure an all-in-one infrastructure solution.

High Performance

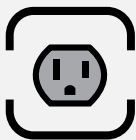


0.9 (or Better) Output Power Factor (PF): Provides more useable power enabling you to connect more equipment saving you money and space.



Increased Runtime: Internal batteries offer up to 14 minutes of runtime at full load.

Programmable Outlet Group: Extend run time when on battery power by power-cycling connected equipment and shedding less critical loads.



Battery Backed Outlets: Up to 7 battery backed outlets ensuring critical equipment is protected.

Advanced Warning Status: Receive early audible and visual alarms warning you of system status to alert you to an input voltage, output overload, low battery, or battery replacement condition.

Wide Input Voltage Range: Prolong battery life by allowing the UPS to maximize the use of the utility power before transferring to battery.

Superior Battery Technology

Fewer Battery Replacements: Lithium-Ion batteries require fewer battery replacements and last on average up to 3 times as long as traditional VRLA batteries reducing maintenance, labor, and replacement costs (lower TCO).

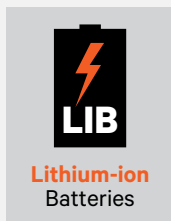
More Discharge Cycles: Lithium-Ion batteries deliver up to 10 times more charge / discharge cycles than VRLA batteries.

Fast Recharge: Lithium-Ion batteries recharge twice as fast as traditional VRLA batteries getting you back to 90% in as little as 2 hours.

Hot-Swappable, User-Replaceable Batteries: Increase product life and reliability with batteries that can be easily replaced without disrupting power to connected equipment.

Safe and Reliable: Safest Lithium-Ion (LiFePO4) battery chemistry and integrated battery management system (BMS) ensure safe and reliable operation.

Environmentally Friendly: Significantly reduce battery disposal and recycling with lower replacement rates.



Enhanced Manageability

LCD Display: User-friendly full-color LCD interface with gravity sensing orientation simplified installation and configuration while also providing instant at-a-glance status and insights.

Free Power Management Software:

- Vertiv™ [Power Insight](#) – Add the Liebert® RDU101 card for web/SNMP manageability
- Vertiv™ [Power Assist](#) – Monitor UPS conditions through a local USB connection
- Vertiv™ Intelligence Director – Together with Vertiv™ Geist™ rPDU one single IP Address to monitor and manage up to 50 devices



Remote Monitoring and Management: Add an optional Liebert® IntelliSlot RDU101 communication card to enable remote monitoring / management (web based, SNMP, BACnet, MODBUS and relay contacts) and environmental monitoring via external sensors.

Remote Emergency Power Off: Remotely shutdown the UPS during an emergency.



Vertiv™ Liebert® GXT5 Lithium-Ion Features



High power factor (0.9-1.0)
More usable power enables more connected loads saving space and costs.

Efficiency (up to 95%) in online mode

Energy Star 2.0 certification. Higher efficiency means an optimized energy management and lower heat dissipation, for energy savings and improved reliability.



Efficiency (up to 98%) in Active ECO mode
Superior protection with maximum efficiency.

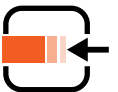
Colored graphic LCD with gravity sensitive orientation

User-friendly interface provides insight to UPS status for easy installation, configuration and operation.



Compact rack/tower design

Space-saving UPS provides rack space optimization and flexible installation.



Battery cabinets with auto-detection
Be confident the UPS is set up correctly to report available runtime when used with external battery cabinets.



Product warranty

Comprehensive coverage through a standard five-year advanced exchange warranty.



Vertiv™ Liebert GXT5 Lithium-Ion UPS | 1000 - 3000VA 120V UPS

1000-1500VA – 120V Rack/Tower

External Battery Connector

Scalable runtime solution supported for extended outage protection (up to 8 External Battery Cabinets)

4 x Individually Controllable Receptacle

Manage load on battery and control unauthorized access to UPS receptacle



Communications

IntelliSlot (Web/SNMP Card), Serial Port, Dry Contacts, USB Port for Local and Remote Configuration and UPS Management

NEMA 5/15P input with over current protection

Simple installation and power on with connected input cord

2000VA – 120V Rack/Tower

External Battery Connector

Scalable runtime solution supported for extended outage protection (up to 8 External Battery Cabinets)

NEMA L5-20R

Support larger devices or rack PDU

4x Individually Controllable Receptacle, 2x Always on Receptacles

Manage load on battery and control unauthorized access to UPS receptacle



Communications

IntelliSlot (Web/SNMP Card), Serial Port, Dry Contacts, USB Port for Local and Remote Configuration and UPS Management

NEMA L5-20P input with over current protection

Includes NEMA 5-20 Adapter for non-locking receptacles

3000VA – 120V Rack/Tower

External Battery Connector

Scalable runtime solution supported for extended outage protection (up to 8 External Battery Cabinets)

NEMA L5-30R

Support larger devices or rack PDU

4x Individually Controllable Receptacle, 2x Always on Receptacles

Manage load on battery and control unauthorized access to UPS receptacle



Communications

IntelliSlot (Web/SNMP Card), Serial Port, Dry Contacts, USB Port for Local and Remote Configuration and UPS Management

NEMA L5-30P input with over current protection

Simple installation and power on with connected input cord

Technical Specifications | 1000 VA - 3000 VA, 120V, Rack/Tower Convertible

Standard Models Models with RDU101 Network Card*	GXT5LI-1000LVRT2UXL GXT5LI-1000LVRT2UXLN	GXT5LI-1500LVRT2UXL GXT5LI-1500LVRT2UXLN	GXT5LI-2000LVRT2UXL GXT5LI-2000LVRT2UXLN	GXT5LI-3000LVRT2UXL GXT5LI-3000LVRT2UXLN
Form Factor	2U Rack/Tower	2U Rack/Tower	2U Rack/Tower	2U Rack/Tower
Power Rating	1000VA / 1000W	1500VA / 1350W	2000VA / 1800W	3000VA / 2700W
Dimensions, W X D X H, IN (MM)				
Unit	16.9 x 17.3 x 3.4 (430 x 446 x 85)	16.9 x 18.7 x 3.4 (430 x 476 x 85)	16.9 x 18.7 x 3.4 (430 x 476 x 85)	16.9 x 21.5 x 3.4 (430 x 546 x 85)
Shipping	22.4 x 23.5 x 9.5 (570 x 597 x 242)	22.4 x 23.5 x 9.5 (570 x 597 x 242)	22.4 x 23.5 x 9.5 (570 x 597 x 242)	22.4 x 28.2 x 9.5 (570 x 717 x 242)
Weight, LB (KG)				
Unit	37.5lbs (17kg)	39.7lbs (18kg)	39.7lbs (18kg)	48.5lbs (22kg)
Shipping	47.6lbs (21.6kg)	52.9lbs (24kg)	52.9lbs (24kg)	59.7lbs (27.1kg)
Input/Output AC Parameters				
Input Plug	NEMA 5-15P	NEMA 5-15P	NEMA L5-20P	NEMA L5-30P
Input Cord	10ft (3m) Attached	10ft (3m) Attached	10ft (3m) Attached L5-20 To 5-20P Adapter	10ft (3m) Attached
Total Receptacles	(6) NEMA 5-15R	(6) NEMA 5-15R	(1) NEMA L5-20R, (6) NEMA 5-15/20R	(1) NEMA L5-30R, (6) NEMA 5-15/20R
Programmable Receptacles	(4) NEMA 5-15R	(4) NEMA 5-15R	(4) NEMA 5-15/20R	(4) NEMA 5-15/20R
Nominal Voltage Setting	120VAC Default; 100/110/115/120V/125VAC (User-Configurable)	120VAC Default; 100/110/115/120V/125VAC (User-Configurable)	120VAC Default; 100/110/115/120V/125VAC (User-Configurable)	120VAC Default; 100/110/115/120V/125VAC (User-Configurable)
Voltage Range Without Battery Operation	Nominal (Full Load): 102 - 150 VAC; Maximum: 60 - 150 VAC	Nominal (Full Load): 102 - 150 VAC; Maximum: 60 - 150 VAC	Nominal (Full Load): 102 - 150 VAC; Maximum: 60 - 150 VAC	Nominal (Full Load): 102 - 150 VAC; Maximum: 60 - 150 VAC
Frequency Range	40-70Hz	40-70Hz	40-70Hz	40-70Hz
Surge Protection	ANSI C62.41, Category B	ANSI C62.41, Category B	ANSI C62.41, Category B	ANSI C62.41, Category B
Transfer Time	0 ms	0 ms	0 ms	0 ms
Battery Waveform	Pure Sine Wave	Pure Sine Wave	Pure Sine Wave	Pure Sine Wave
Battery Parameters				
Type	Lithium-Ion (LiFePO4)	Lithium-Ion (LiFePO4)	Lithium-Ion (LiFePO4)	Lithium-Ion (LiFePO4)
Recharge Time (from full discharge)	< 2 hrs to 90%	< 2 hrs to 90%	< 2 hrs to 90%	< 2 hrs to 90%
Full-Load Runtime	13 min	14 min	10.5 min	6.5 min
Half-Load Runtime	28 min	28 min	22.5 min	15 min
External Battery Cabinet	VEBCLI-48VRT1U	VEBCLI-48VRT1U	VEBCLI-48VRT1U	VEBCLI-48VRT1U
Environmental				
Operating Temperature, °F (°C)	32°F to 104°F (0°C to 40°C) (10% Derating at 50°C)	32°F to 104°F (0°C to 40°C) (10% Derating at 50°C)	32°F to 104°F (0°C to 40°C) (10% Derating at 50°C)	32°F to 104°F (0°C to 40°C) (10% Derating at 50°C)
Storage Temperature °F (°C)	-4° to 140° (-20° to 60°)	-4° to 140° (-20° to 60°)	-4° to 140° (-20° to 60°)	-4° to 140° (-20° to 60°)
Relative Humidity	0% - 95%, non-condensing	0% - 95%, non-condensing	0% - 95%, non-condensing	0% - 95%, non-condensing
Operating Altitude, ft (m)	0 to 10,000 (0 to 3,000) w/o Derating (15% Derating at 4000m)	0 to 10,000 (0 to 3,000) w/o Derating (15% Derating at 4000m)	0 to 10,000 (0 to 3,000) w/o Derating (15% Derating at 4000m)	0 to 10,000 (0 to 3,000) w/o Derating (15% Derating at 4000m)
Audible Noise	< 48 dB	< 48 dB	< 48 dB	< 48 dB
Certifications				
Safety	UL 1642 (Li-Ion Battery Cells), UL 1973 (Li-Ion Battery Pack w/UPS), UL 1778, CSA 22.2 No. 107.3	UL 1642 (Li-Ion Battery Cells), UL 1973 (Li-Ion Battery Pack w/UPS), UL 1778, CSA 22.2 No. 107.3	UL 1642 (Li-Ion Battery Cells), UL 1973 (Li-Ion Battery Pack w/UPS), UL 1778, CSA 22.2 No. 107.3	UL 1642 (Li-Ion Battery Cells), UL 1973 (Li-Ion Battery Pack w/UPS), UL 1778, CSA 22.2 No. 107.3
Agency	UL 1778, c-UL, NOM, FCC Part 15, Class A	UL 1778, c-UL, NOM, FCC Part 15, Class A	UL 1778, c-UL, NOM, FCC Part 15, Class A	UL 1778, c-UL, NOM, FCC Part 15, Class A
Environmental	RoHS2 / REACH / WEEE	RoHS2 / REACH / WEEE	RoHS2 / REACH / WEEE	RoHS2 / REACH / WEEE
Network Surge	IEC 61000-4-5, ANSI C62.41, Category B	IEC 61000-4-5, ANSI C62.41, Category B	IEC 61000-4-5, ANSI C62.41, Category B	IEC 61000-4-5, ANSI C62.41, Category B
Transportation	ISTA Procedure 2A	ISTA Procedure 2A	ISTA Procedure 2A	ISTA Procedure 2A
Warranty	5 years on UPS and Battery	5 years on UPS and Battery	5 years on UPS and Battery	5 years on UPS and Battery
Equipment Protection Plan	Up To \$500,000 (For Covered Equipment)	Up To \$500,000 (For Covered Equipment)	Up To \$500,000 (For Covered Equipment)	Up To \$500,000 (For Covered Equipment)

*Liebert® GXT5 Lithium-Ion Rack/Tower UPS + RDU101 card bundles available through select distributors in North America (by adding an "N" at the end of the standard model number)

Optional Accessories



External battery cabinets and replacement battery kits

UPS	External battery cabinets*	Internal Replacement Battery Kits
GXT5LI-1000LVRT2UXL	VEBCLI-48VRT1U	GXT5LI-48VBATKIT1
GXT5LI-1500LVRT2UXL	VEBCLI-48VRT1U	GXT5LI-48VBATKIT2
GXT5LI-2000LVRT2UXL	VEBCLI-48VRT1U	GXT5LI-48VBATKIT2
GXT5LI-3000LVRT2UXL	VEBCLI-48VRT1U	GXT5LI-48VBATKIT2

*EBCs are hot-swappable, user-replaceable to allow for the full EBC to be replaced, as needed. Up to 8 EBCs can be used per UPS.



Network communications and environmental sensors

Network Communications	RDU101	Intellislot web card for SNMP and web management. Supports environmental sensors.
	IS-RELAY	Intellislot Interface Kit for Relay Contacts
Environmental Sensors	SN-Z01	Integrated cable with single temperature sensor
	SN-Z02	Integrated cable with three temperature sensors
	SN-Z03	Integrated cable with three temperature and one humidity sensors
	SN-T	Modular with single temperature sensor
	SN-TH	Modular with single temperature and single humidity sensor
	SN-2D	Modular with two door contact inputs
	SN-3C	Modular with three dry contact inputs
	SN-L20	Modular leak zone sensor with 20 foot cable (Liebert RDU-S only)
UPS manageability options	Vertiv™ Power Insight Software Management	Vertiv™ Power Insight is a complimentary web-based software designed to monitor up to 100 Vertiv™ UPSs and rPDUs



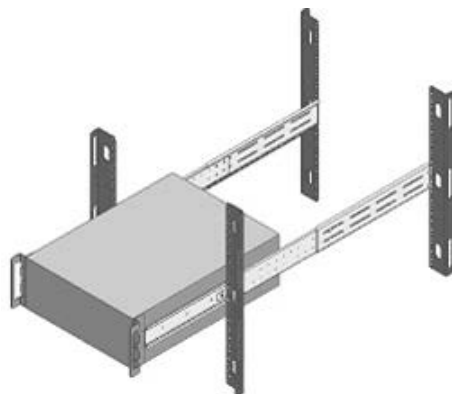
MicroPOD - Maintenance bypass and output distribution

The Vertiv™ Liebert® MicroPOD (Power Output Distribution) is a maintenance bypass option for UPS products, 3 kVA and below. It allows removal of the UPS without powering down the connected equipment. The 2U POD's can be installed on the floor or mounted to a Liebert® GXT5 UPS using the included mounting brackets.

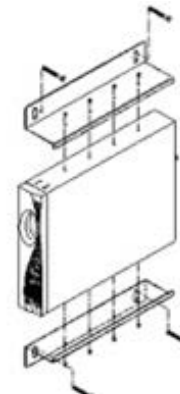
UPS VA rating	POD model number	Output receptacles	Plug to utility
500-1500VA UPS	MP2-115HW	Hard Wired	Hardwired
	MP2-115A	8 x 5-15R	5-15P
2000VA UPS	MP2-120HW	Hard Wired	Hardwired
	MP2-120C	8 x 5-15/20R	5-20P
	MP2-120E	4 x 5-15/20R; 1 x L5-20R	5-20P
3000VA UPS	MP2-130HW	Hard Wired	Hardwired
	MP2-130C	8 x 5-15/20R	L5-30P
	MP2-130E	2 x 5-15/20R; 1 x L5-30R; 4 x 5-15/20R	L5-30P
	MP2-130P	4 x 5-15R; 2 x L5-20R	L5-30P



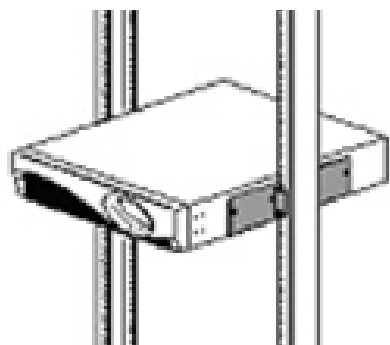
2POSTRMKIT



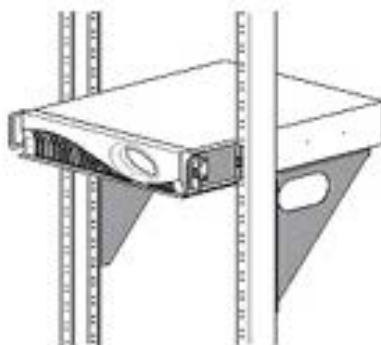
Rack Slide Kits for all Liebert® GXT5 Rack Tower Models (RMKIT 18-32)



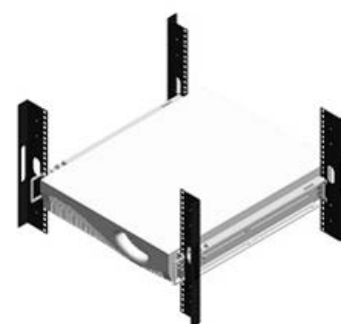
Wall Mount Bracket Kit for Liebert® GXT5 500VA – 3000VA models WMBKT2U and WMBKT2U-SS



2UTELECOMRKIT



Rack Shelves - Center mount shown RS600 / RS800



Standard Kit included inside the UPS box 201193G1L

Mounting Kit Options

Application	Model Supported	Style	Model	Description
2 Post - Telecom Rack	Entire Liebert GXT5 UPS family (500VA to 10kVA)	Shelf	RS500	Flush-mount shelf for 19" rack wide
		Shelf	RS600	Center-mount shelf for 19" rack wide
		Shelf	RS700	Flush-mount shelf for 23" rack wide
		Shelf	RS800	Center-mount shelf for 23" rack wide
	Liebert GXT5 up to 3kVA	Bracket	2UTELECOMRKIT	Only center-mount bracket for 19" rack wide
		Bracket	2POSTRMKIT	Front flush/ center-mount bracket - 4-piece design
Wall Mount	Liebert GXT5 up to 3kVA	Bracket	WMBKT2U	Wall mount bracket holds (1) GXT5 2U or (1) PS15 2U product, steel painted black
		Bracket	WMBKT2USS	Wall mount bracket holds (1) GXT5 2U or (1) PS15 2U product, stainless steel
4 Post Rack	Entire GXT5 UPS family (500VA to 10kVA)	Bracket	RMKIT18-32	Cabinet/racks with 18" - 32" deep support rails - Telescopic rail

Note: RS600 and RS800 kits include adapter brackets for installation of up to (2) Liebert® GXT5 2U model

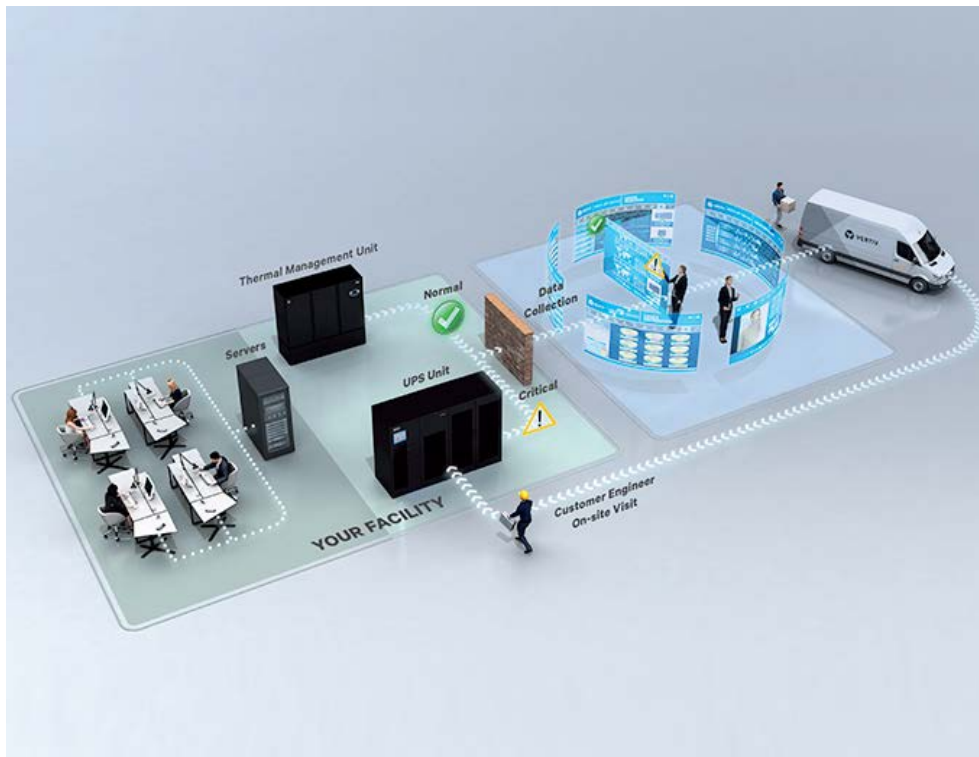
Power Assurance Package: Comprehensive Service Support for Critical Systems

- **Five-year protection plan** with 100% parts coverage and 24x7 emergency service
- **On-site installation and startup** of UPS and internal batteries (excludes hard-wired applications); configuration of new UPS and accessories; and if purchased, safe removal and disposal of legacy UPS and batteries
- **On-site service support** available 24x7 (within 150 miles of regional service center) and includes 100% labor and travel coverage
- **100% parts coverage** for UPS includes POD (power output distribution), web card, and battery defects
- **24x7 access** to customer resolution center and online access to Customer Services Network

Key benefits:

- Hassle-free management of multi-site rollouts
- Frees up IT staff from maintaining and servicing UPS equipment Reduces the worry of critical equipment downtime
- Ensures rapid recovery in the event of failure (within 24-48 hours)
- Frees you from the responsibility of handling and documenting the disposal of legacy UPS and batteries

LIFE™ Remote Diagnostic Services for Rapid Response



Refer to page 11 for service SKUs

Uptime assurance

- Continuous monitoring for early detection of trends and operating anomalies
- Analysis and interpretation of alarm and status messages

Rapid incident response

- Automatic transmission of data for analysis
- Concurrent diagnosis and dispatch of engineer to site
- Shipment of parts for corrective maintenance

Increased insight and ease of management

- Notification of operating conditions that may impact system health
- Periodic trend and analysis reports
- Integration of remote and on-site services to ensure business continuity

Liebert® GXT5 Lithium-Ion UPS - Power Assurance Services

Power Assurance Package

Bundled Start-up Service AND 5-Year On-site Emergency Response	Standard	With LIFE™ Services	With Removal	With LIFE™ and Removal
Equipment Model / Type	Part Number	Part Number	Part Number	Part Number
Liebert® GXT5 LI UP TO 3 KVA	PAPGXTLI-1K3K	PAPGXTLI-1K3KLF	PAPGXTLI-1K3KRMV	PAPGXTLI-1K3KRFLF
External Battery Cabinets (48V)	PAPGXTLI-48VBATT	N/A	PAPGXTLI-48VBATTRMV	N/A

Power Startup Services

Startup Service Only	Standard	With Removal
Equipment Model / Type	Part Number	Part Number
Liebert GXT5 LI UP TO 3 KVA	SUGXT-1K3K	SUGXT-1K3KRMV
External Battery Cabinet (48V)	SUGXT-EXTBTCB	SUGXT-EXTBTCBRMV

Power Emergency Services

5-Year On-site Emergency Coverage - Only	Standard	With LIFE Services
Equipment Model / Type	Part Number	Part Number
Liebert® GXT5 LI 1-3 KVA	PEPGXTLI-1K3K5YR	PEPGXTLI-1K3KLF
Lithium-Ion External Battery Cabinet 48V	PEPGXTLI-48VBAT5YR	N/A

Power Assurance Package - Summary

- Includes all below "Power Start-up Services" and "Power Emergency Services" support

Power Startup Services - Summary

- Installation includes mounting and start-up of new UPS or EBC (excludes hard-wired applications)
- Services performed by Vertiv factory trained technician
- Services performed 7 X 24, excluding national holidays within the 48 contiguous states and Hawaii
- Removal and disposal of existing UPS or EBC equipment, if selected

Power Emergency Services - Summary

- On Site Service Support
- Full-service five (5) year contract term commencing upon the start-up date
- 100% parts coverage, including POD, web card and battery defects
- 100% labor and travel coverage 7 days/week, 24 hours/day
- 24-Hour Customer Resolution Center via 1-800-LIEBERT
- Access to Customer Services Network portal

LIFE™ Services includes above plus:

- Continuous Monitoring, Alarm Notification, Expert Analysis, and Proactive Response

Note: LIFE Services requires an RDU101 card.

Please refer to the Scopes of Work for full and additional details.



Vertiv.com | Vertiv Headquarters, 1050 Dearborn Drive, Columbus, OH, 43085, USA

© 2022 Vertiv Group Corp. All rights reserved. Vertiv™ and the Vertiv logo are trademarks or registered trademarks of Vertiv Group Corp. All other names and logos referred to are trade names, trademarks or registered trademarks of their respective owners. While every precaution has been taken to ensure accuracy and completeness here, Vertiv Group Corp. assumes no responsibility, and disclaims all liability, for damages resulting from use of this information or for any errors or omissions. Specifications, rebates and other promotional offers are subject to change at Vertiv's sole discretion upon notice.