

TP-MVD4MV2

8MP HD TwilightVision™ IR VF Turret Network Camera



KEY FEATURES

- ✓ To be used with SMART Series NVR with Turing Vision Cloud
- ✓ 2.7~13.5mm Motorized Lens
- ✓ Max. 4 MP (2688*1520)@ 30/25fps
- ✓ **TwilightVision™** technology superior low-light performance
- ✓ Built-in Mic
- ✓ Smart IR, up to 40m
- ✓ Supports 256 G Micro SD card
- ✓ PoE, WDR, IP67, IK10



SPECIFICATIONS

CAMERA			
Sensor	1/3", 4.0megapixel, progressive scan, CMOS		
Lens	2.7 ~ 13.5mm, AF automatic focusing and motorized zoom lens		
Angle of view (H)	98.26° ~ 31.35°		
Angle of View (V)	54.76° ~ 18.55°		
Angle of View7 (O)	127.74° ~36.99°		
Adjustment angle	Pan: 0° ~ 360°	Tilt: 0° ~ 75°	Rotate: 0° ~ 360°
Shutter	Auto/Manual, 1 ~ 1/100000s		
Minimum Illumination	Color: 0.002Lux (F1.2, AGC ON) 0Lux with IR on		
Day/Night	IR-cut filter with auto switch (ICR)		
Digital noise reduction	2D/3D DNR		
S/N	>56dB		
IR Range	Up to 40m (131ft) IR range		
Wavelength	850nm		
IR On/Off Control	Auto/Manual		
Defog	Digital Defog		
WDR	120dB		

VIDEO & AUDIO	
Video Compression	Ultra 265,H.265, H.264, MJPEG
H.264 code profile	Baseline profile, Main profile, High profile
Frame Rate	Main Stream: 4MP (2688*1520), Max 30fps;4MP (2560*1440), Max 30fps; 3MP (2304*1296), Max 30fps; 1080P (1920*1080), Max 30fps; Sub Stream: 720P (1280*720), Max 30fps; D1 (720*576), Max 30fps; 640*360,Max 30fps; 2CIF(704*288), Max 30fps; CIF(352*288), Max 30fps; Third Stream: D1 (720*576), Max 30fps; 640*360,Max 30fps; 2CIF(704*288), Max 30fps; CIF(352*288), Max 30fps;
Video Bit Rate	128 Kbps~16 Mbps
9:16 Corridor Mode	Supported
OSD	Up to 8 OSDs
Privacy Mask	Up to 4 areas
ROI	Up to 8 areas
Motion Detection	Up to 4 areas

IMAGE	
White Balance	Auto/Outdoor/Fine Tune/Sodium Lamp/Locked/Auto2
Digital Noise Reduction	2D/3D DNR
Smart IR	Support
Flip	Normal/Vertical/Horizontal/180°/90°Clockwise/90°Anti-clockwise
De-warping	N/A
HLC	Supported
BLC	Supported

INTELLIGENCE	
Smart Intrusion Prevention	Cross line, intrusion, enter area detection
Basic Detection	Motion detection, tampering alarm, audio detection
Supported NVR	Turing SMART NVR: TR-MR(P) models

AUDIO	
Audio Compression	G.711
Suppression	Supported
Sampling Rate	8KHZ

STORAGE	
Edge Storage	Micro SD, up to 256GB
Network Storage	ANR, NAS(NFS)

NETWORK	
Protocols	IPv4, IGMP, ICMP, ARP, TCP, UDP, DHCP, PPPoE, RTP, RTSP, RTCP, DNS, DDNS, NTP, FTP, UPnP, HTTP, HTTPS, SMTP, 802.1x, SNMP, QoS
Compatible Integration	ONVIF (Profile S, Profile G, Profile T), API
General Function	Watermark, IP address filtering, access policy, ARP protection, RTSP authentication, user authentication
Web Browser	Plug-in required live view: IE9+, Chrome 41 and below, Firefox 52 and below Plug-in free live view: Chrome 57.0+, Firefox 58.0+, Edge 16+, Safari 11+

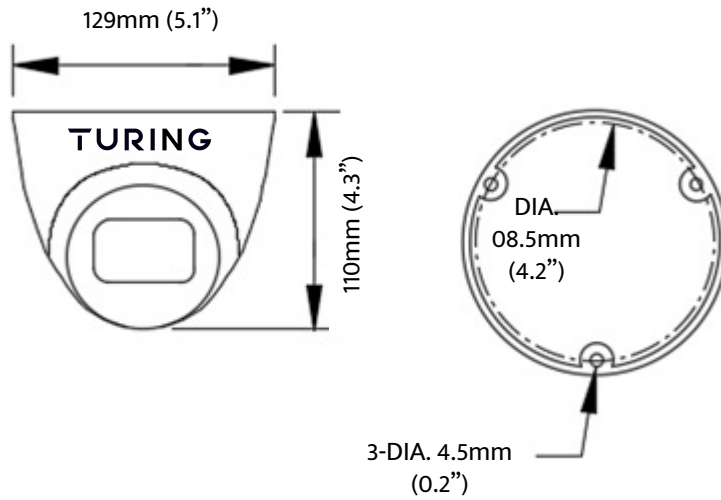
INTERFACE	
Built-in Mic	Supported
Network	1 RJ45 10M/100M Base-TX Ethernet

CERTIFICATIONS	
Certifications	CE: EN 60950-1 UL: UL60950-1 FCC: FCC Part 15

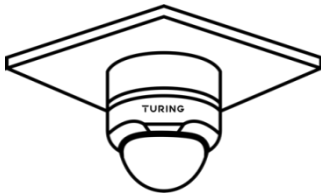
GENERAL	
Power	DC 12V±25%, PoE (IEEE 802.3af) Power consumption: Max 7.0W
Dimensions (Ø x H)	Φ129 x 110mm (Ø5.1" x 4.3")
Net Weight	0.69kg (1.52lb)
Material	Metal
Working Environment	-30°C ~ 60°C (-22°F ~ 140°F), Humidity: ≤95% RH (non-condensing)
Storage Environment	-30°C ~ 60°C (-22°F ~ 140°F), Humidity: ≤95% RH (non-condensing)
Surge Protection	6KV
Ingress Protection	IP67
Vandal Resistant	IK10
Reset Button	Supported



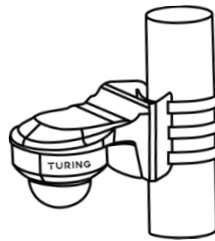
DIMENSIONS



MOUNTING



Junction Box: TP-VDJB



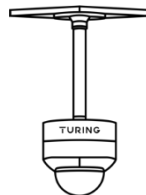
Pole Mount: TP-UDPM
Wall Mount: TP-VDWM
WM w/ Junc. Box: TP-VDWJ



Optional Cable Gland:
TP-UWPJ



Wall Mount: TP-VDWM
w/ Junction Box: TP-VDWJ



Pendant Mount: TP-AIPMB
Junction Box: TP-VDJB
Optional Extensions: TP-IPME2 (9") &
TP-IPME5 (22")

