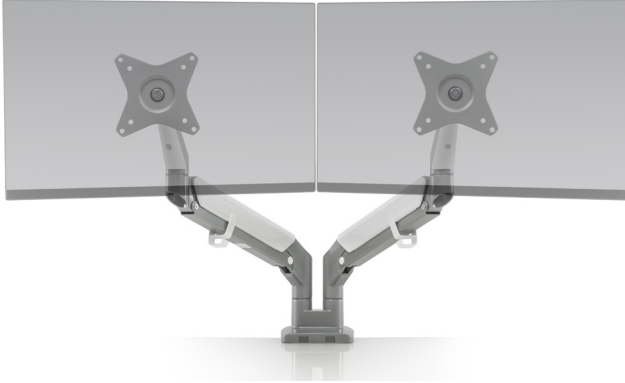


ALIGN

The Align articulating monitor arm is an attractive, durable monitor arm for your workspace. Featuring a gas spring that can be easily counter-balanced. Align can quickly be re-positioned to fit your needs and provide ergonomic comfort.



FEATURES

- Adjustable height for optimal ergonomic positioning.
- Detachable, quick-install VESA plates reduces installation time.
- Effortless swivel, tilt and portrait to landscape rotation provide a wide range of movement.
- Sleek cable management system routes cables beneath the monitor arms.
- Mounts to desk edge or bolts through desk.
- Gas spring which allows for counter-balancing the weight of your monitor.
- Free-Tilt designs makes for simple adjustment and better viewing.
- VESA-monitor compatible - 75mm & 100mm VESA adapter included.

SPECIFICATIONS

DIMENSIONS

Available in Single and Dual configurations.

ALIGN-1 Supports a 0.9 - 8.9 kg (2.2 - 19.8 lb) monitor
ALIGN-2 Supports 0.9 - 8.9 kg (2.2 - 19.8 lb) per monitor

FINISHES

■ Silver
color code: SLV

