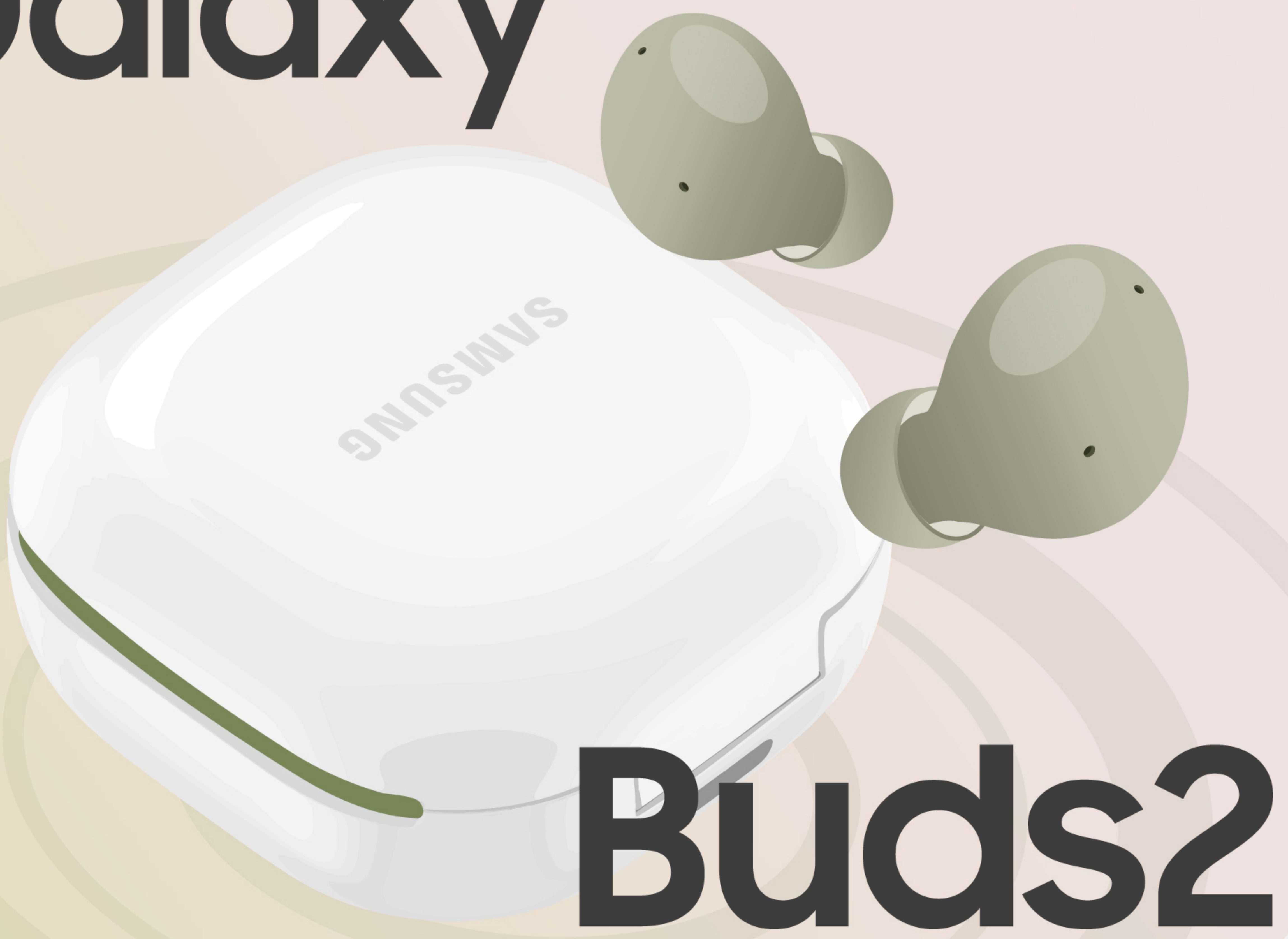


Product Specifications

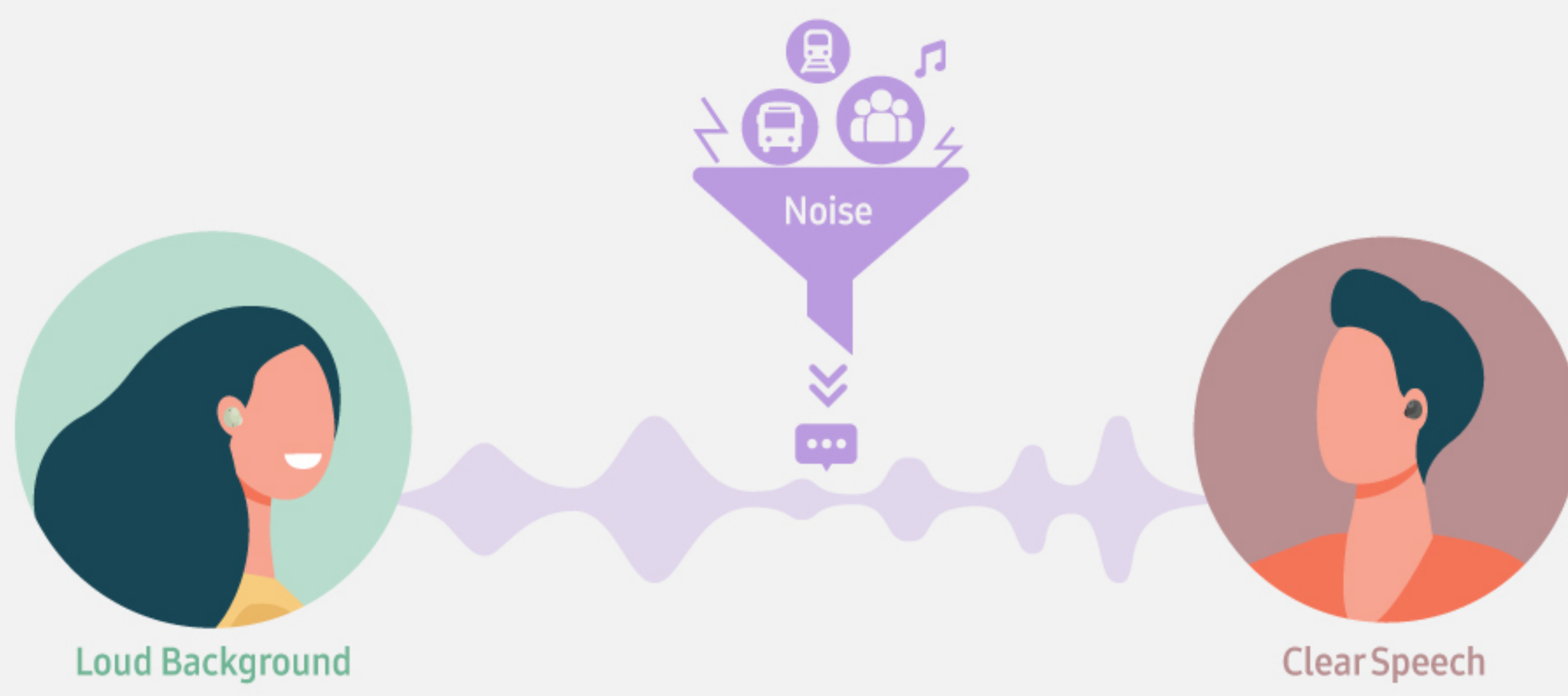
Galaxy



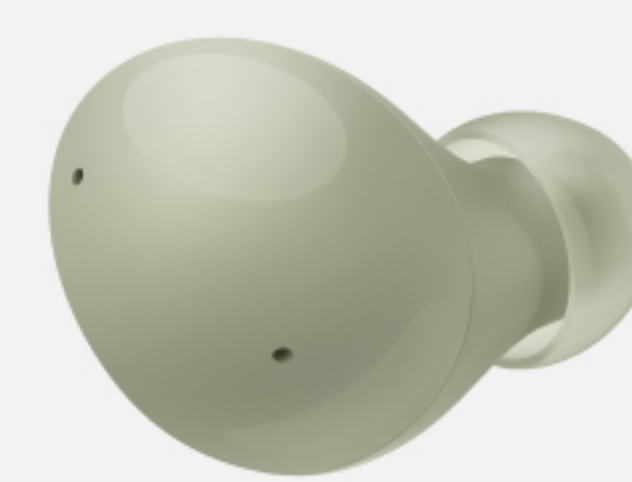
Buds2



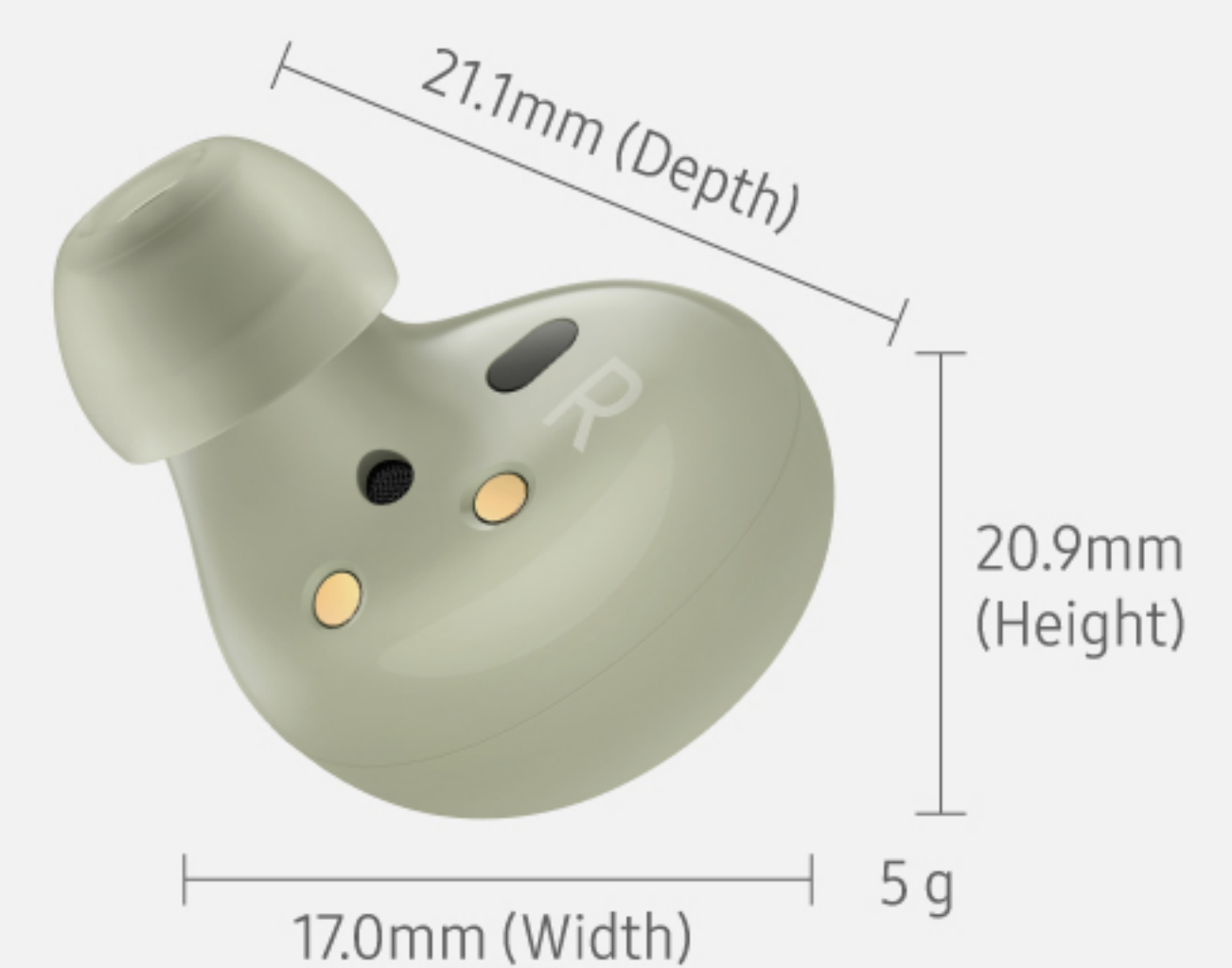
Machine learning based solution for phone calls



Dynamic 2-way Speakers



Active Noise Cancellation



Up to 20H

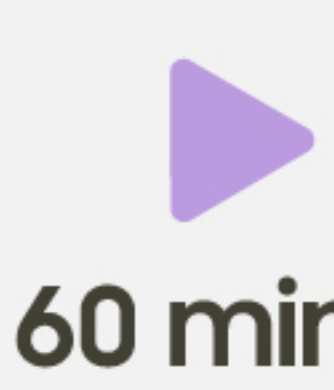
Play Time
ANC ON



Comfortable Fit



5 mins



60 mins



Qi-Compatible Quick & Wireless Charging¹

Colors²



Graphite



White



Olive



Lavender

ANC & Ambient Sound

- ANC Supported
- Natural Ambient Sound

Speaker & Microphone

- Dynamic 2-way Speakers
- Machine Learning Based Solution
- 3 Mics + VPU

Battery

- Capacity (Buds/Case)³: 61/472mAh (typical)
- Play Time (Buds/Total)⁴: 5/20H (ANC ON) | 7.5/29H (ANC OFF)
- Talk Time (Buds/Total)⁴: 3.5/13H (ANC ON) | 3.5/14H (ANC OFF)

Connectivity

- Auto Switch⁵
- Buds Controller⁶
- Galaxy Buds PC App⁷

SAMSUNG

1. Charging time is based on the battery of earbuds being less than 30 percent when they start to charge. Actual battery life and charging time may vary and depend on factors such as usage conditions and number of times charged. Measured with Active Noise Cancellation off mode for play time. 2. Available colors may vary by market, carrier and retailer. 3. Typical value tested under third-party laboratory condition. Typical value is the estimated average value considering the deviation in battery capacity among the settings, playback file type, and Bluetooth® signal strength. 4. Actual average value may vary depending on usage conditions such as function settings, playback file type, and Bluetooth® signal strength. 5. Auto Switch feature with the Galaxy Watch4 Series requires Galaxy Buds Plus and later models, paired with Galaxy smartphones and tablets with One UI 3.1.1 or above. Certain applications may not support Auto Switch. Galaxy devices must be logged in to Samsung Account to enable Auto Switch. 6. Buds Controller is available on Galaxy Buds Plus and later models, and the Galaxy Watch4 Series. 7. This app is downloadable through Microsoft Store and available on Windows 10 or above. Galaxy Buds2, Galaxy Buds Pro and Galaxy Buds Live are supported. Bluetooth® connection is required.

All specifications and descriptions provided herein may be different from the actual specifications and descriptions of the product. Samsung reserves the right to make changes to this page and the contents herein, including without limitation, functionality, features, specifications, GUI, images, videos, benefits, design, pricing, components, performance, availability, capabilities, and any other product information, without notice.