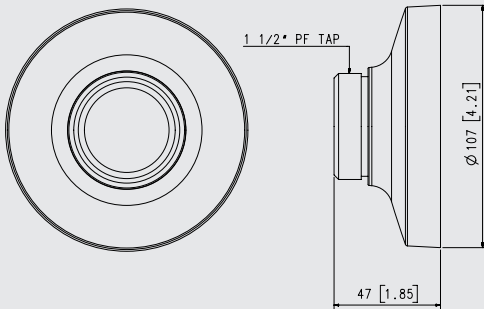




SBP-099HMW

Dimensions

Unit:mm(inch)



SBP-099HMW	
ENVIRONMENTAL	
Operating Temperature / Humidity	None
Storage Temperature / Humidity	None
Fan/Heater	None
Certification	None
ELECTRICAL	
Input Voltage	None
Power Consumption	None
MECHANICAL	
Colour	White
RAL Code	None
Material	Aluminum
Product dimensions / weight	Ø107 x 47mm, 133g
Tile thickness	None
Mount Screw size	PF 1 1/2"
Max. load	None
Conduit hole	None
Supported products	QND-8021/8011/6021/6011 QNF-9010/8010
	※ For further compatible models, please visit our website or use "Toolbox"

- * The latest product information / specification can be found at hanwha-security.com
- * Design and specifications are subject to change without notice.
- * Wisenet is the proprietary brand of Hanwha Techwin.