

Instructions for 0E-FRLYMVENC Multi-Voltage Relay in Enclosure

Applications:

The W Box 0E-FRLYMVENC is a stand-alone multi-voltage relay providing SPDT 10 amp resistive contacts that may operate via one of four input control voltages by wiring to corresponding input terminals: 24VDC, 24VAC, 120VAC or 230VAC. It provides local contacts that may be required for system status, remote contacts that may be required for control of electrical loads and general purpose switching. Applications include Fire Alarm Control, security systems, HVAC, temperature control, lighting systems and energy management.

A red LED visible through a port in the relay enclosure indicates the relay is energized.

W Box 0E-FRLYMVENC is cULus 864 listed (Control Unit Accessory).

Product specifications:

- Voltage input: 24 (18-35) VDC, 24VAC (18-35), 120 VAC or 230VAC
- Current draw: 11mA@18VDC, 22mA@35VDC; 38mA@18VAC, 76mA@35VAC, 29mA@120VAC
- Polarized coil input: DC control input only
- Contacts: Dry Form C SPDT
- Resistive load contact ratings: 10A @ 28VDC, 125VAC, 230VAC
- Inductive load contact ratings: 0.25 HP 125/250VAC (N.C.); 0.33 HP 125/250VAC (N.O.)
- Indicator: Red LED indicates relay coil is energized
- Wire type: stranded or solid, 12AWG to 22AWG terminals
- Housing: Back box: 18 gauge CRS plate with knock outs
Cover: Red ABS 94V-0 rated
Snap track for relay PCB mounted inside back box
- Operating temperature: 32°F to 120°F (0°C to 49°C)
- Relative humidity: 85%
- Dimensions: 3.1"W X 5.3"H X 2.5"D (78W X 132H X 63Dmm)
- Approvals: cULus864 listed (Control Unit Accessory), CSFM, MEA

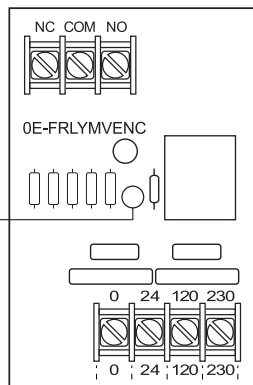
Wiring:

NOTE: DC coil input is polarized

Lighted LED indicates relay coil is energized

For input control voltage:

24VDC (18-35)@11-22mA	(-);(+)
24VAC 60Hz(18-35)@38-76mA	AC AC
120VAC, 60Hz@29mA	N H
230VAC, 50Hz@31mA	H H

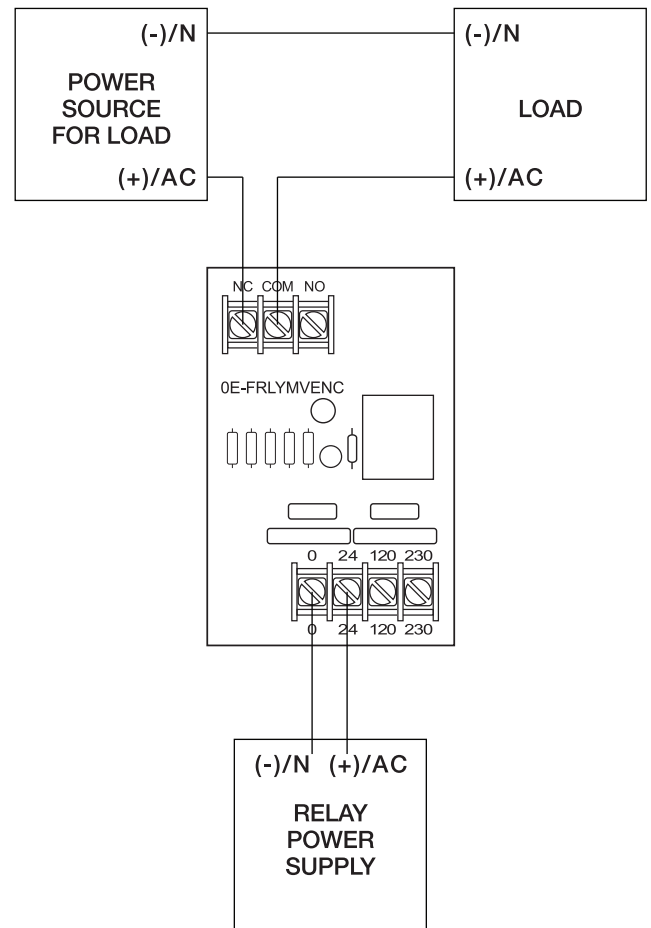


Install in accordance with the applicable National Fire Protection Association Installation Standard for each type of control unit, such as, in this case NFPA 70, 72. Install as per the Canadian Electrical Code and CAN/ULC S524.

WARNING: DISCONNECT POWER BEFORE OPENING.
AVERTISSEMENT: ,COUPER LE COURANT AVANT D'OUVRIIR

Typical application:

In a typical application, W Box 0E-FRLYMVENC is used to cut power to a device or devices when the control input voltage is applied. In a normal operating state, the relay coil is not energized, allowing power to pass from the load power source through NC contacts to the load (device or devices). When the control input voltage is applied, the relay coil is energized, switching the NC contacts to the open position and power is disconnected between the load power source and the load:



SIGNALING



UL 864 LISTED
FIRE ALARM CONTROL EQUIPMENT



MULTI-VOLTAGE RELAY IN ENCLOSURE