

PC140-PT

Dome Camera Pendant Cap

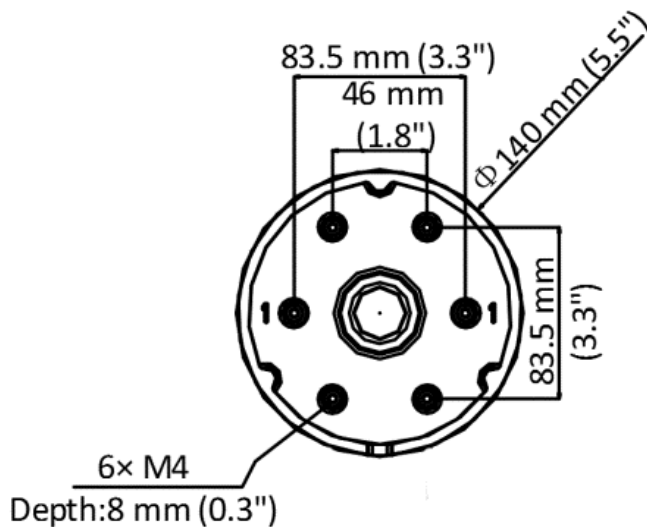
- Aluminum Alloy Material with Surface Spray Treatment
- Lower Bowl Facilitates Installation
- Waterproof Design

Install the bracket on the flat surface of a wall. The wall must be capable of supporting at least three times the total load of the camera and the mount. The maximum load capacity of the mount is 3 kg.

Available Model: PC140-PT



Dimensions



Specifications

	PC-140PT
Description	Dome camera pendant cap
Appearance	Hikvision white
Material	Aluminum alloy
Compatible Camera	DS-2DE3304W-DE
Dimension	Φ5.5" × 7.2" × 9.1" (140 mm × 183.5 mm × 232 mm)
Weight	1.1 lb (520 g)