

# Standard LCD Monitors



**WELDEX**  
CORPORATION

# WDL-3501M

3.5" LCD Monitor



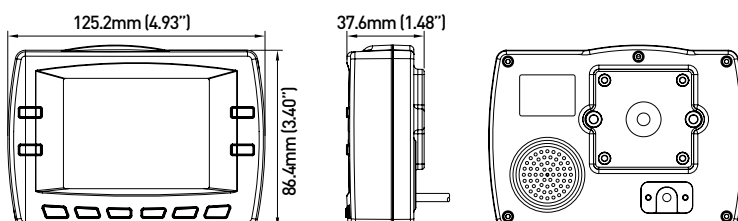
## SPECIFICATION

Display	
Screen size	3.5" (diagonal)
Resolution	320(W) × 240(H)
Brightness	300cd/m <sup>2</sup>
Viewing angle	Up : 50° / Down : 55° / Right : 60° / Left : 60°
Contrast ratio	400:1
Color system	NTSC/PAL
Pixel pitch	0.073(H) × 0.219(V)(mm)
Power	
Input	DC 12~24V
Power consumption	max 4.8W
Video/Audio Input	
Video input	1Vp-p (75Ω impedance)
Connectors	Audio(RCA), Video(RCA), Power jack
Environmental	
Operating temperature	-20°C ~ +70°C (-4°F ~ +158°F)
Dimensions	
Dimensions	125.2(W) × 86.4(H) × 37.6(D)(mm)
Weight	420g (gross weight)

## FEATURES

- Weatherproof high resolution TFT LCD monitor
- Miniature size color monitor for compact applications
- Selectable mirror-image mode
- Active matrix for absolute picture clarity
- OSD for AV source  
(color, brightness, contrast, tint & volume control)
- Integrated audio speaker

## DIMENSIONS



# WDL-5001M

5" LCD Monitor



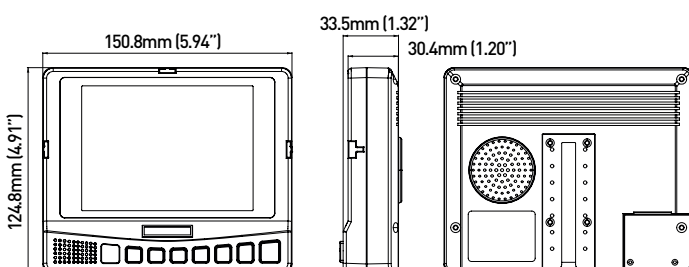
## SPECIFICATION

Display	
Screen size	5.0" (diagonal)
Resolution	800(W) × 480(H)
Brightness	max 350cd/m <sup>2</sup>
Viewing angle	Up : 50° / Down : 70° / Right : 70° / Left : 70°
Active area	108.0(W) × 64.8(H)(mm)
Contrast ratio	500:1
Color system	NTSC/PAL
Pixel pitch	0.045(W) × 0.135(H)(mm)
Power	
Input	DC 12~24V
Power consumption	max 5W
Video/Audio Input	
Video input	1Vp-p (75Ω impedance)
Connectors	Audio(RCA), Video(RCA), Power jack
Environmental	
Operating temperature	-20°C ~ +70°C (-4°F ~ +158°F)
Dimensions	
Dimensions	150.8(W) × 124.8(H) × 33.5(D)(mm)
Weight	670g (gross weight)

## FEATURES

- Weatherproof high resolution TFT LCD monitor
- Miniature size color monitor for compact applications
- Selectable mirror-image mode
- Active matrix for absolute picture clarity
- OSD for AV source  
(color, brightness, contrast, tint & volume control)
- Integrated audio speaker
- Sunshield (option)

## DIMENSIONS



# WDL-7001M

7" LCD Monitor



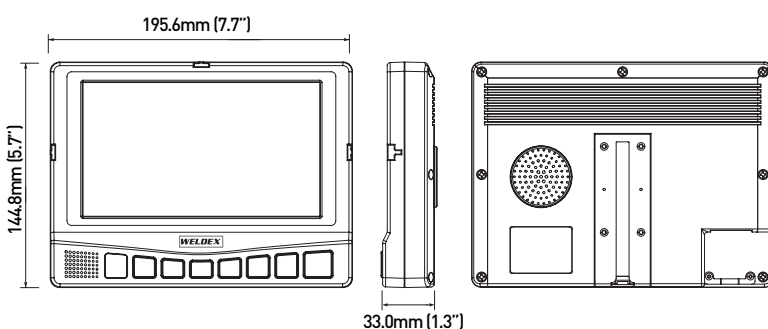
## SPECIFICATION

Display	
Screen size	7.0" (diagonal)
Resolution	800(W) × 480(H)
Brightness	max 400cd/m <sup>2</sup>
Viewing angle	Up : 50° / Down : 70° / Right : 70° / Left : 70°
Active area	154.08(W) × 85.92(H)(mm)
Contrast ratio	500:1
Color system	NTSC/PAL
Pixel pitch	0.0642(W) × 0.1790(H)(mm)
Power	
Input	DC 12~24V
Power consumption	max 5W
Video/Audio Input	
Video input	CVBS 1Vp-p (75Ω)
Connectors	Audio(RCA), Video(RCA), Power jack
Environmental	
Operating temperature	-20°C ~ +70°C (-4°F ~ +158°F)
Storage temperature	-30°C ~ +70°C (-22°F ~ +158°F)
Dimensions	
Dimensions	195.6(W) × 144.8(H) × 33.0(D)(mm)
Weight	850g (gross weight)

## FEATURES

- Weatherproof high resolution TFT LCD monitor
- Miniature size color monitor for compact applications
- Selectable mirror-image mode
- Active matrix for absolute picture clarity
- OSD for AV source  
(color, brightness, contrast, tint & volume control)
- Integrated audio speaker
- Sunshield (option)

## DIMENSIONS



# WDL-7002M

7" LCD Monitor with VGA Input



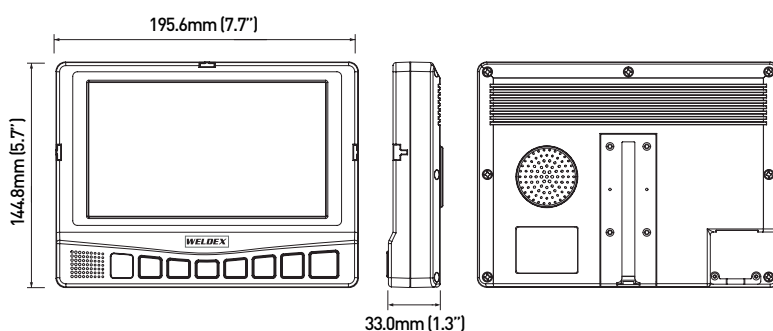
## SPECIFICATION

Display	
Screen size	7.0" (diagonal)
Resolution	800(W) × 480(H)
Brightness	400cd/m <sup>2</sup>
Viewing angle	Up : 50° / Down : 70° / Right : 70° / Left : 70°
Active area	154.08(W) × 85.92(H)(mm)
Contrast ratio	500:1
Color system	NTSC/PAL
Pixel pitch	0.0642(W) × 0.1790(H)(mm)
Power	
Input	DC 12~24V
Power consumption	max 5W
Video/Audio Input	
Video input	Analog RGB(0.7Vp-p) + H/V sync
Connectors	D-SUB, Audio(RCA), Power jack
Environmental	
Operating temperature	-20°C ~ +70°C (-4°F ~ +158°F)
Storage temperature	-30°C ~ +70°C (-22°F ~ +158°F)
Dimensions	
Dimensions	195.6(W) × 144.8(H) × 33.0(D)(mm)
Weight	850g (gross weight)

## FEATURES

- Weatherproof high resolution TFT LCD monitor
- Miniature size color monitor for compact applications
- Selectable mirror-image mode
- Active matrix for absolute picture clarity
- OSD for AV source  
(color, brightness, contrast, tint & volume control)
- Integrated audio speaker
- Sunshield (option)

## DIMENSIONS



# WDL-8001M

8" LCD Monitor



## SPECIFICATION

Display	
Screen size	8.0" (diagonal)
Resolution	800(W) × 480(H)
Brightness	max 450cd/m <sup>2</sup>
Viewing angle	Up : 50° / Down : 70° / Right : 70° / Left : 70°
Active area	176.64(W) × 99.36(H)(mm)
Contrast ratio	500:1
Color system	NTSC/PAL
Pixel pitch	0.0736(W) × 0.270(H)(mm)
Power	
Input	DC 12~24V
Power consumption	max 5W
Video/Audio Input	
Video input	CVBS 1Vp-p (75Ω)
Connectors	Audio(RCA), Video(RCA), Power jack
Environmental	
Operating temperature	-20°C ~ +70°C (-4°F ~ +158°F)
Storage temperature	-30°C ~ +70°C (-22°F ~ +158°F)
Dimensions	
Dimensions	222.0(W) × 159.0(H) × 32.0(D)(mm)
Weight	1.1kg (gross weight)

## FEATURES

Weatherproof high resolution TFT LCD monitor

Selectable mirror-image mode

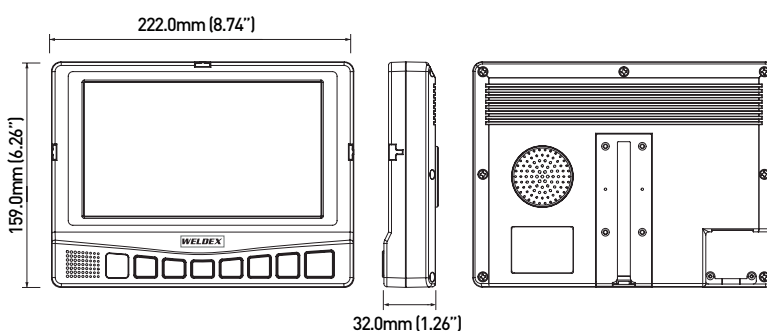
Active matrix for absolute picture clarity

OSD for AV source

(color, brightness, contrast, tint & volume control)

Integrated audio speaker

## DIMENSIONS



# WDL-8003M

8" LCD Monitor with VGA Input



## SPECIFICATION

Display	
Screen size	8.0" (diagonal)
Resolution	800(W) × 480(H)
Brightness	max 450cd/m <sup>2</sup>
Viewing angle	Up : 50° / Down : 70° / Right : 70° / Left : 70°
Active area	176.64(W) × 99.36(H)(mm)
Contrast ratio	500:1
Color system	NTSC/PAL
Pixel pitch	0.0736(W) × 0.270(H)(mm)
Power	
Input	DC 12~24V
Power consumption	max 5W
Video/Audio Input	
Video input	Analog RGB(0.7Vp-p) + H/V sync, CVBS(1Vp-p)
Connectors	D-SUB, Audio(RCA), Video(RCA), Power jack
Environmental	
Operating temperature	-20°C ~ +70°C (-4°F ~ +158°F)
Storage temperature	-30°C ~ +70°C (-22°F ~ +158°F)
Dimensions	
Dimensions	222.0(W) × 159.0(H) × 32.0(D)(mm)
Weight	1.1kg (gross weight)

## FEATURES

Weatherproof high resolution TFT LCD monitor

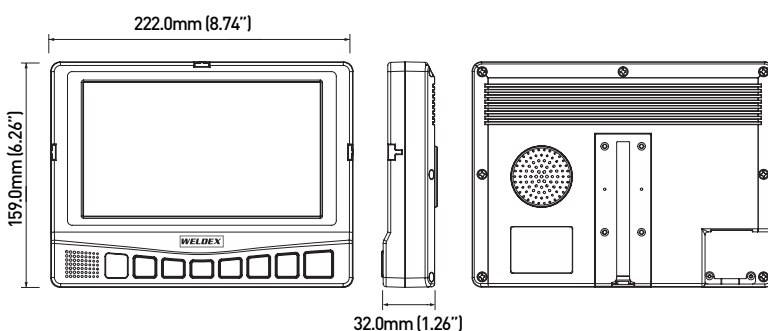
Active matrix for absolute picture clarity

OSD for AV source

(color, brightness, contrast, tint & volume control)

Integrated audio speaker

## DIMENSIONS



# WDL-1040M

10.4" LCD Monitor



## SPECIFICATION

Display	
Screen size	10.4" (diagonal)
Resolution	800(W) × 600(H)
Brightness	300cd/m <sup>2</sup>
Viewing angle	Up : 50° / Down : 60° / Right : 75° / Left : 75°
Active area	211.2(W) × 158.4(H)(mm)
Contrast ratio	500:1
Color system	NTSC/PAL/SECAM/auto
Pixel pitch	0.264(H) × 0.264(V)(mm)
Pixel format	RGB vertical stripe
Display color	16.7M color
Response time	30ms
Wall mounting	Yes
Built-in speakers	with speaker (2W × 2stereo)
Plug & play support	VESA DDC 1/2B
Video source	Composite, HDMI, VGA
Power	
Power consumption	40W, saving mode : 5W
Power supply	Input : AC 100~240V, 50~60Hz / Output : DC 12V, 4A
Video/Audio Input	
Video input	D-SUB 15P, HDMI, Video 1, 2 BNC
Audio input	RCA, Ø3.5 Stereo phone jack
Video/Audio Output	
Video output	BNC Video Monitor output
Audio output	Ø3.5 Stereo phone jack Audio Lineout
Environmental	
Operating temperature	0°C ~ +50°C (+32°F ~ +122°F)
Storage temperature	-10°C ~ +60°C (14°F ~ +140°F)
Dimensions	
Dimensions	269.2(W) × 228.6(H) × 30.5(D)(mm)
Weight	1.84kg (gross weight)

## FEATURES

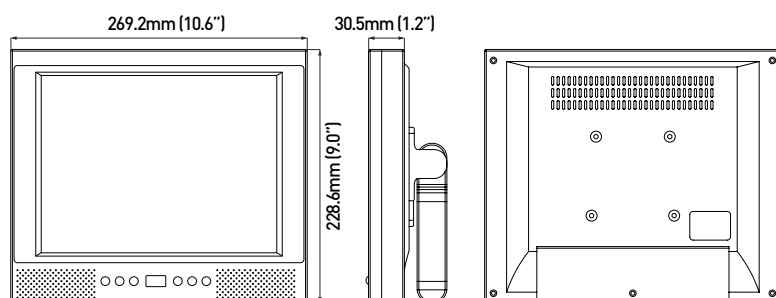
Thin cross section - less than 2.5" deep panel

Audio (left/right) line inputs and built-in speaker

On-screen menu display for feature and video adjustments

Power supply included

## DIMENSIONS





# WDL-1500M

15" LCD Monitor



## SPECIFICATION

Display	
Screen size	15" (diagonal)
Resolution	1024(W) × 768(H)
Brightness	250cd/m <sup>2</sup>
Viewing angle	Up : 80° / Down : 80° / Right : 75° / Left : 75°
Active area	304.13(W) × 228.1(H)(mm)
Contrast ratio	800:1
Color system	NTSC/PAL/SECAM/auto
Pixel pitch	0.297(H) × 0.297(V)(mm)
Pixel format	RGB vertical stripe
Display color	16.7M color
Response time	8ms
Wall mounting	Yes
Built-in speakers	with speaker (2W × 2stereo)
Plug & play support	VESA DDC 1/2B
Video source	Composite, HDMI, VGA
Power	
Power consumption	36W, saving mode : 5W
Power supply	Input : AC 100~240V, 50~60Hz / Output : DC 12V, 3A
Video/Audio Input	
Video input	D-SUB 15P, HDMI, Video 1, 2 BNC
Audio input	RCA, Ø3.5 Stereo phone jack
Video/Audio Output	
Video output	BNC Video Monitor output
Audio output	Ø3.5 Stereo phone jack Audio Lineout
Environmental	
Operating temperature	0°C ~ +50°C (+32°F ~ +122°F)
Storage temperature	-10°C ~ +60°C (14°F ~ +140°F)
Dimensions	
Dimensions	396.0(W) × 363.0(H) × 229.0(D) (mm)
Weight	4.82kg (gross weight)

## FEATURES

Thin cross section - less than 2.5" deep panel

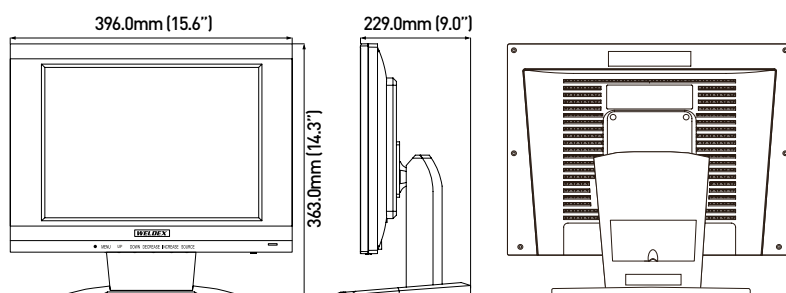
Audio (left/right) line inputs and built-in speaker

Audio outputs - speaker / earphone

On-screen menu display for feature and video adjustments

Power supply included

## DIMENSIONS



# WDL-1700M

17" LCD Monitor



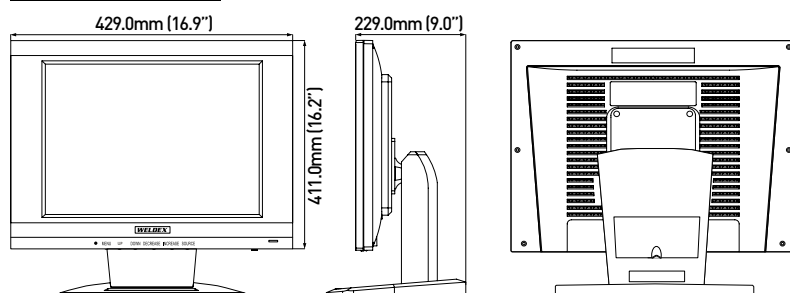
## SPECIFICATION

Display	
Screen size	17" (diagonal)
Resolution	1280(W) × 1024(H)
Brightness	250cd/m <sup>2</sup>
Viewing angle	Up : 80° / Down : 80° / Right : 85° / Left : 85°
Active area	337.9(W) × 270.3(H)(mm)
Contrast ratio	1000:1
Color system	NTSC/PAL/SECAM/auto
Pixel pitch	0.264(H) × 0.264(V)(mm)
Pixel format	RGB vertical stripe
Display color	16.7M color
Response time	9ms
Wall mounting	Yes
Built-in speakers	with speaker (2W × 2stereo)
Plug & play support	VESA DDC 1/2B
Video source	Composite, HDMI, VGA
Power	
Power consumption	48W, saving mode : 5W
Power supply	Input : AC 100~240V, 50~60Hz / Output : DC 12V, 4.58A
Video/Audio Input	
Video input	D-SUB 15P, HDMI, Video 1, 2 BNC
Audio input	RCA, Ø3.5 Stereo phone jack
Video/Audio Output	
Video output	BNC Video Monitor output
Audio output	Ø3.5 Stereo phone jack Audio Lineout
Environmental	
Operating temperature	0°C ~ +50°C (+32°F ~ +122°F)
Storage temperature	-10°C ~ +60°C (14°F ~ +140°F)
Dimensions	
Dimensions	429.0(W) × 411.0(H) × 229.0(D) (mm)
Weight	5.58kg (gross weight)

## FEATURES

- Thin cross section - less than 2.5" deep panel
- Multiple inputs - composite video, HDMI, D-sub
- Audio (left/right) line inputs and built-in speaker
- Audio outputs - speaker / earphone
- On-screen menu display for feature and video adjustments
- Power supply included

## DIMENSIONS



# WDL-1900M

19" LCD Monitor



## SPECIFICATION

Display	
Screen size	19" (diagonal)
Resolution	1280(W) × 1024(H)
Brightness	250cd/m <sup>2</sup>
Viewing angle	Up : 80° / Down : 80° / Right : 85° / Left : 85°
Active area	376.32(W) × 301.06(H)(mm)
Contrast ratio	1000:1
Color system	NTSC/PAL/SECAM/auto
Pixel pitch	0.294(H) × 0.294(V)(mm)
Pixel format	RGB vertical stripe
Display color	16.7M color
Response time	8ms
Wall mounting	Yes
Built-in speakers	with speaker (2W × 2stereo)
Plug & play support	VESA DDC 1/2B
Video source	Composite, HDMI, VGA
Power	
Power consumption	48W, saving mode : 5W
Power supply	Input : AC 100~240V, 50~60Hz / Output : DC 12V, 4.58A
Video/Audio Input	
Video input	D-SUB 15P, HDMI, Video 1, 2 BNC
Audio input	RCA, Ø3.5 Stereo phone jack
Video/Audio Output	
Video output	BNC Video Monitor output
Audio output	Ø3.5 Stereo phone jack Audio Lineout
Environmental	
Operating temperature	0°C ~ +50°C (+32°F ~ +122°F)
Storage temperature	-10°C ~ +60°C (+14°F ~ +140°F)
Dimensions	
Dimensions	432.0(W) × 427.0(H) × 229.0(D) (mm)
Weight	5.68kg (gross weight)

## FEATURES

Thin cross section - less than 2.5" deep panel

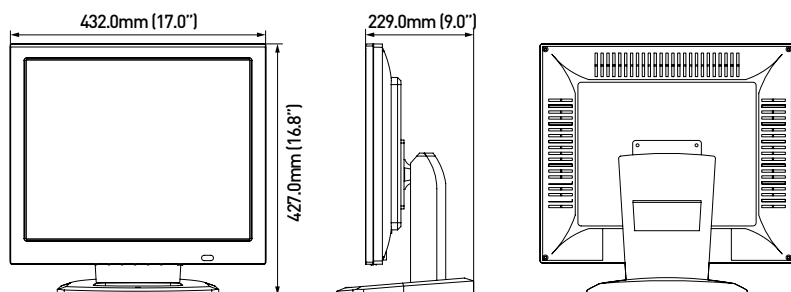
Audio (left/right) line inputs and built-in speaker

Audio outputs - speaker / earphone

On-screen menu display for feature and video adjustments

Power supply included

## DIMENSIONS



# WDL-2700M

27" LCD Monitor



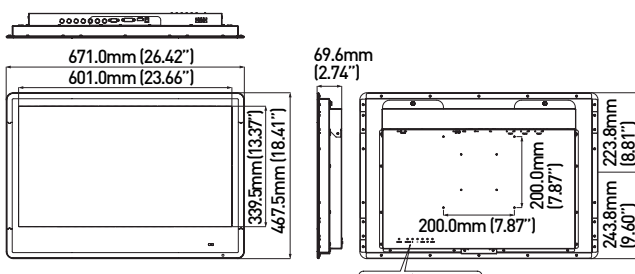
## SPECIFICATION

Display	
Screen size	27"
Resolution	1920 × 1080
Brightness	300cd/m <sup>2</sup>
Viewing angle	170°(H), 178°(V)
Active area	176.64(W) × 99.36(H)(mm)
Contrast ratio	1200:1
Color system	NTSC / PAL / SECAM
Display color	16.7M
Response time	5ms (max 8ms)
Wall mounting	Yes
Aspect ratio	16:9
Video input	
Video input	HDMI, DVI-D, D-SUB15P
Video output	
Video output	CVBS (BNC)
Power	
Power input	DC 24V (MIN_2.5A)
Power consumption	Max 32W
Power output	12V / 0.5A (for external camera)
Environmental	
Operating temperature	0°C ~ +50°C (+32°F ~ +122°F)
Humidity	10~50% RH, non condensing
Dimensions	
Dimensions	671.0(W) × 467.5(H) × 69.6(D)(mm)
Weight	T.B.D

## FEATURES

- High quality and cost-effective
- 27" 16:9 full HD LCD panel
- LED backlight
- Supported OSD (On Screen Display) and control button
- IR remote control
- Multiple video inputs - 3 CVBS(BNC), D-SUB, HDMI, DVI-D
- Analog video output - 3 × CVBS loopout (BNC)
- 3D comb. filter
- 3D video noise reduction
- 3D motion adaptive deinterlacer
- In/Out connector location - top side
- VESA wall mount - 100 × 100, 200 × 200

## DIMENSIONS





**WELDEX**  
CORPORATION