



SINGER®

Start™

Automatic Settings Eliminate Guesswork

Automatic Tension

Ensures stable straight stitch quality regardless of the type of fabric.

Preset Stitch Length and Width

Getting started sewing is easy! There's no need to make stitch length and width adjustments.

Automatic Bobbin Winding System

Simply follow the numbered diagram printed on the sewing machine and your bobbin is full in no time! The needle bar automatically disengages when winding the bobbin, making bobbin winding safe. The bobbin will automatically stop turning when the bobbin is completely filled. Never worry about overfilling a bobbin!



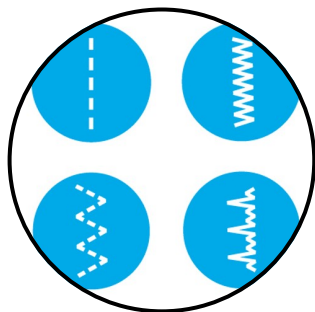
A Good Place to Begin!

The SINGER® START™ sewing machine gives beginning sewers and hobbyists just enough features to get their creativity off the ground.



Easy Threading

Threading diagrams are printed right on the machine so you can be set-up in no time!



6 Built-In Stitches

- Straight
- Satin
- ZigZag
- Blind Hem
- Scallop
- 4-Step Buttonhole

Unleash Your Creativity

Dual Spool Pins for Twin Needle Sewing

The two vertical spool pins make twin needle sewing quick and easy. When sewing with a twin needle (optional purchase), parallel rows of stitching are perfect for hemming or adding a decorative touch. Just reduce the stitch width on selected stitches and twin needle sewing expands your creative possibilities.

LED Sewing Space Light

The LED Sewing Space Light keeps your workspace illuminated.

Extra-High Presser Foot Lifter

Offers more clearance when sewing multiple layers of bulky fabric.

Free Arm Convertible

The removable free arm provides easy access to cuffs, collars, pant hems and other difficult-to-reach areas.



Easy Stitch Selection

With the easily accessible stitch dial you can change stitches in one easy step!

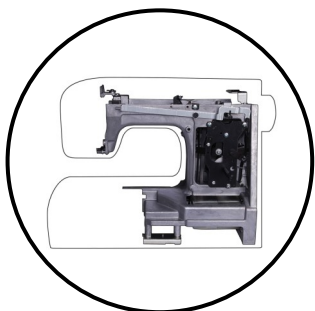


SINGER®

Start™



Women's Choice
SINGER has won the 2013 & 2014 Women's Choice Award for America's Best Home Sewing Machine!



Heavy Duty Metal Frame
The internal skeleton of the sewing machine consists of a Heavy Duty Metal Frame that holds all the mechanisms in perfect alignment for skip-free sewing and overall durability. You can be sure that your sewing machine will last for years of extended use.



What's In The Box

Free Accessories (Located in the free arm storage tray)

All-Purpose Foot, Zipper Foot, Buttonhole Foot, Darning Plate, Pack of Needles, Bobbins, Needle Plate, Screwdriver, Spool Pin Felts, Seam Ripper / Lint Brush, Soft-Sided Dust Cover, Power Line Cord, Foot Control, Quick Start Guide, Instruction Manual.

Put Your Mind at Ease

This SINGER sewing machine comes with a limited 25-Year Warranty including 2 years on electronic components and 90 days on adjustments.

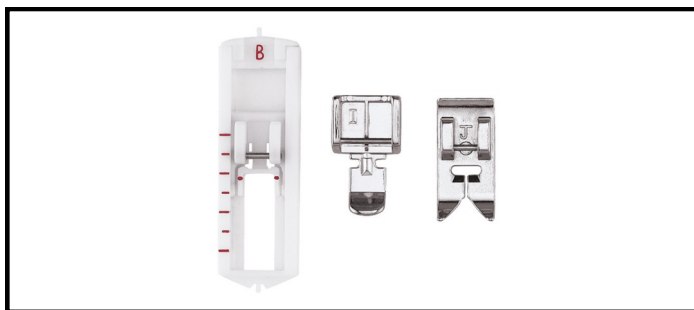
Answers At Your Fingertips

Toll-Free Helpline 1-800-4-SINGER (1-800-474-6437)
Monday through Friday, 8:00 a.m. to 4:00 p.m. C.T.

Online Support available any time at singerco.com
Social Media Support allows you to connect with other sewers for tips and tricks!

YouTube.com/SingerSewingCompany offers a variety of helpful videos tutorials including the following topics: Threading, Presser Feet Training, Maintenance and Troubleshooting.

Consumer's Choice - More people own SINGER machines than all other brands combined!



All-Purpose Foot

For the majority of your sewing projects.

Buttonhole Foot

For adding buttonholes, slots for ribbon and more.

Zipper Foot

For adding zippers, piping, cording and more.