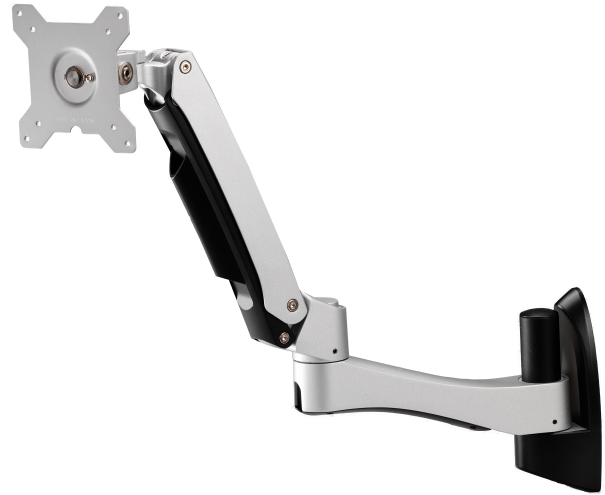


AMR1AWL

Long Articulating Monitor Wall Mount

This single monitor mount allows the connection of flat panel monitors through standard VESA mounting brackets. Our revolutionary hinge modules are designed to enable display monitors to be rotated, swiveled and tilted. The engineering of the AMR1AWL is designed to meet high ergonomic expectation and to be rugged without compromising the aesthetics of the design. The AMR1AWL is constructed with aluminum alloy to ensure sturdiness. It will support various monitor sizes as long as it weighs no more than 22.1lbs. This product must have an appropriate wall base to support the mount fixture.



Specifications

General

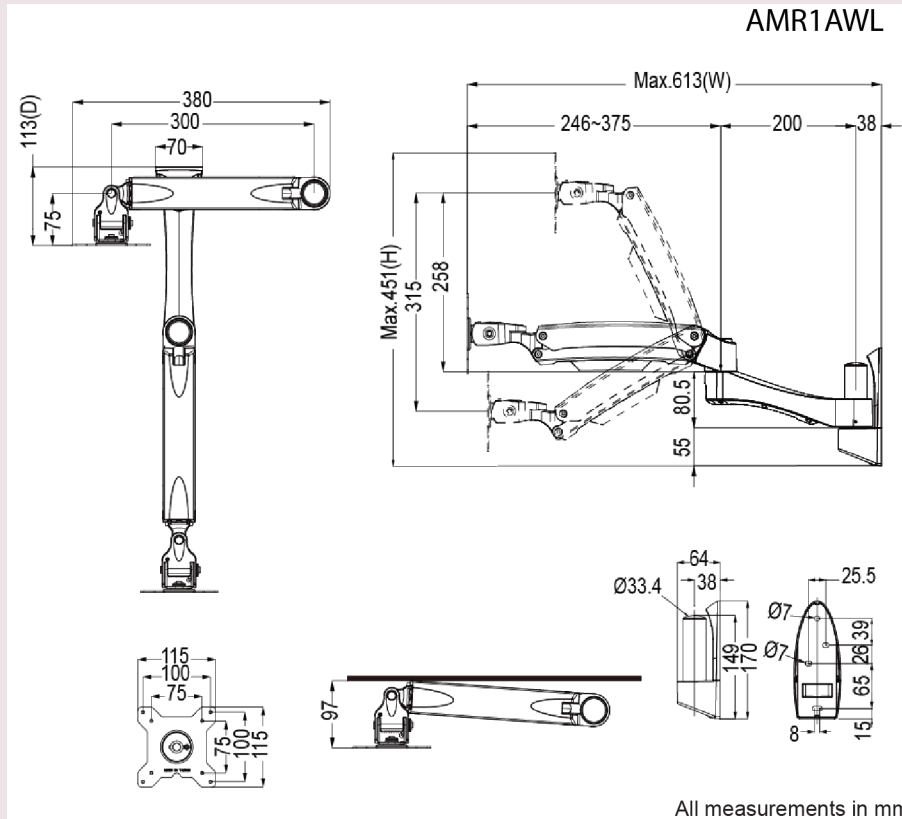
Material:	Steel/Plastic/Aluminum Alloy	Screw Type:	• M4
Weight:	• 2.10 kg (4.63lbs)	Dimensions:	• (W*H*D) 613*451*113mm 24.13" X 17.76" x 4.45"
Tilt:	• +90°/-20° (Hinge) • +65°/-30° (Arm)	Swivel:	• Max. +/-90°
Support Max Weight:	• 2~10Kg (4.4~22.1lbs)	Rotate(Pivot):	• 360° (For each "Hinge")
Compliant with VESA:	• 100x100mm & 75x75mm	Max Distance to Wall:	613mm(24.13")
Support Flat Panel Size:	• 24"-32	Min Distance to Wall:	• 97mm(3.82")

Warranty and Support

Warranty: 3 Years
Support: Free technical support (phone/email)

AMR1AWL

Long Articulating Monitor Wall Mount



www.amer.com / www.amermounts.com

sales@amer.com
1-800-262-9703

Specifications subject to change without notice. Errors and omissions excepted. All trademarks are properties of their respective owners.

Revision 2.03