

# AMR1AW

## Short Articulating Monitor Wall Mount

This single monitor mount allows the connection of flat panel monitors through standard VESA mounting brackets. Our revolutionary hinge modules are designed to enable display monitors to be rotated, swiveled and tilted. The engineering of the AMR1AW is designed to meet high ergonomic expectation and to be rugged without compromising the aesthetics of the design. The AMR1AW is constructed with aluminum alloy to ensure sturdiness. It will support various monitor sizes as long as it weighs no more than 22.1lbs. This product must have an appropriate wall base to support the mount fixture.



## Specifications

### General

Material: Steel/Plastic/Aluminum Alloy

Weight: 1.70 kg (3.75 lbs)

Tilt: +90°/-20° (Hinge)  
+65°/-30° (Arm)

Support Max Weight: 2-10kg (4.4~22.1lbs)

Compliant with VESA: 100x100mm & 75x75mm

Support Flat Panel Size: 24"-32"

Screw Type:

- M4

Dimensions:

- (W\*H\*D) 413\*370.5\*113 mm  
16.26"x14.59"x4.45"

Swivel:

- Max. +/-90 (Hinge)

Rotate(Pivot):

- 360°

Max Distance to Wall:

- 413mm(16.26")

Min Distance to Wall:

- 97mm(3.82")

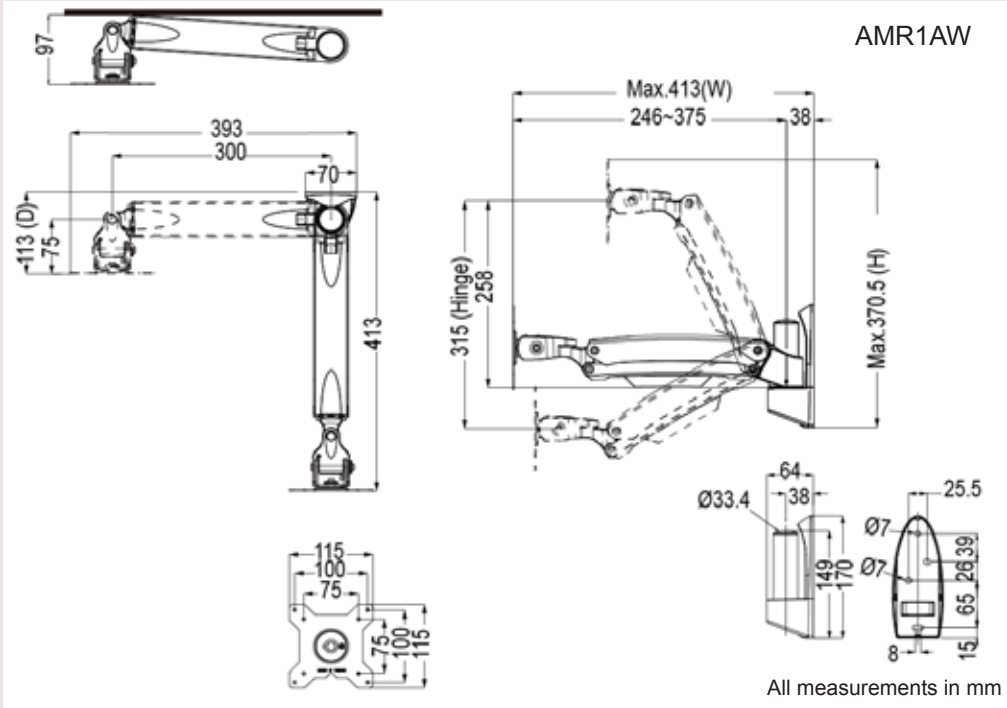
### Warranty and Support

Warranty: 3 Years

Support: Free technical support (phone/email)

# AMR1AW

Short Articulating Monitor Wall Mount



[www.amer.com](http://www.amer.com) / [www.amermounts.com](http://www.amermounts.com)

sales@amer.com  
1-800-262-9703

Specifications subject to change without notice. Errors and omissions excepted. All trademarks are properties of their respective owners.