

PIG30

Power-over-Ethernet Injector.

The PIG30 is a single port IEEE802.3af Mid-Span offering a compact and cost effective solution for remote powering of wireless LAN (WAN) access points, IP security cameras, VoIP telephones and other low port density installations.

The PIG30 PoE Injector eliminates the need for an external power supply and its associated AC/DC power cabling, providing a compact, affordable, safe and reliable power solution over existing Ethernet cabling.



Features

- Full IEEE802.3af, IEEE802.3at compliant
- Up to 30W of power on 2-pairs
- Auto-detect of PoE IEEE802.3af and IEEE802.3at equipment
- Supports 10/100/1000 Base-T applications
- LED indicators power input and PoE output indication
- Distance up to 100 meters
- Internal AC/DC converter – no need for external power brick
- Easy plug-and-play installation
- Surge protection
- Complies with UL/cUL, ICES, GS, SAA, CCC, KC, PSE, NOM, S-mark, BSMI, EAC, BIS, FCC, CE, ROHS

Specifications

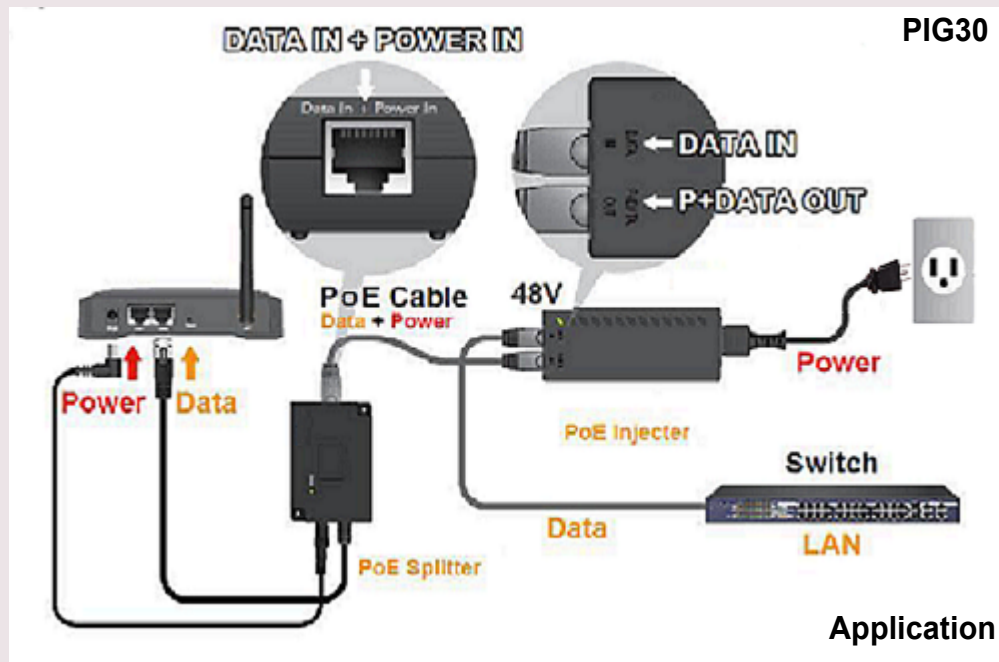
Ports:	• 1	Environmental Conditions :	• Operating Ambient Temperature: 0° - 40° C
Pass Through Data Rates:	• 10/100/1000 Mbps		• Operating Humidity: Maximum 90%, Non-condensing
Power over Ethernet Output:	• Pin Assignment and Polarity: 3/6 (+), 1/2 (-) • Output Power Voltage: 52Vdc • User Port Power: 30W		• Storage Temperature: -20° - 70° C
Input Power Requirements :	• AC Input Voltage: 100 to 240 Vac • AC Input Current: 0.6A 100-240 Vac • AC Frequency: 50 to 60 Hz		• Storage Humidity: Maximum 95%, Non-condensing
Dimensions :	• 145.5 x 61.5 x 40 mm • 5.73" x 2.42" x 1.57"	Electromagnetic Emission & Immunity :	• FCC (Part15, Class B) • CE (EN55022/24) • C-Tick (AS/NZS55022/24) • CCC (GB4943) • KCC (K60950-1) • BSMI (CNS13438)
Indicators	• System Indicator: AC Power • User Indicator: Channel Power	Safety Approvals:	• UL/cUL (EN6095-1) ICES (ICES-003) • GS (EN60950-1) CE/LVD (EN60950-1) • SAA (AS/NZS60950-1) CCC (GB4943) • KC (K60950-1) PSE (J60950-1) • NOM (IEC60950-1) S-mark (IEC60950-1) • BSMI (CNS14336) EAC (LEC60950-1) • BIS (BISIS13252)
Connectors :	• Shielded RJ-45, EIA 568A and 568B		
Regulatory Compliance :	• IEEE802.3af (PoE) • IEEE802.3at (PoE+)		

www.amer.com
sales@amer.com
 1-800-262-9703

Specifications subject to change without notice. Errors and omissions excepted. All trademarks are properties of their respective owners.

PIG30

Power-over-Ethernet Injector.



www.amer.com / www.amermounts.com

sales@amer.com
1-800-262-9703

Specifications subject to change without notice. Errors and omissions excepted. All trademarks are properties of their respective owners.

Revision 1.03