

The Planar PS4200 is a 42" professional LCD display delivering multiple connectivity options, enhanced durability, and superior visual performance. To meet the requirements of demanding public signage and corporate applications, the Planar PS4200 provides full HD 1080p resolution with advanced features such as automatic/manual backlight control, video wall support, RS-232 control, and optional touch screen. For added protection, the metal bezel on the Planar PS4200 improves durability and reduces heat load on the LCD. The Planar PS4200 is the ideal combination of value, performance, and reliability for any professional large format monitor application.



## FEATURES

Comprehensive set of data and video inputs

Durable metal bezel

Wide range of advanced features for professional applications

Superior full HD 1080p image quality with 500 cd/m<sup>2</sup> brightness

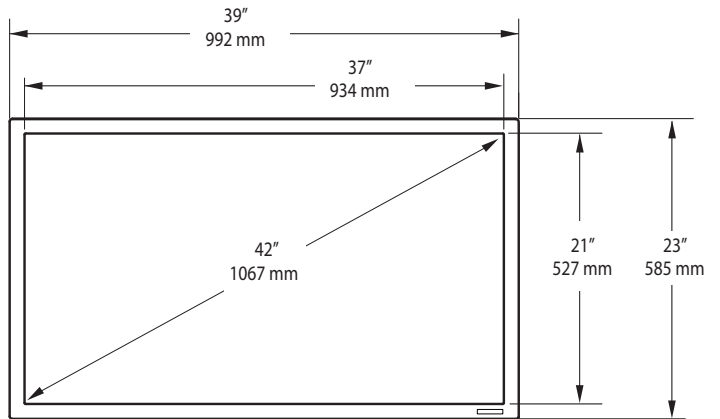
Optional fully integrated dual touch

PLANAR PS4200 and PS4200TL		
	PS4200	PS4200TL
Cabinet dimensions (WxHxD)	39.1" x 23.0" x 4.7" (992.0mm x 585.0mm x 119.6mm)	39.1" x 23.0" x 5.1" (992.0mm x 585.0mm x 128.9 mm)
Display weight*	54 lbs (25 kg)	68 lbs (31 kg)
Shipping weight*	62 lbs (28 kg)	71 lbs (32 kg)
Touch technology	N/A	Optical Dual Touch
Touch interface	N/A	USB
OS compatibility	N/A	Window XP, Window Vista, Window 7
Speakers	12W x 2 built-in	N/A
Display resolution	FHD 1080p (1920 x 1080)	
Aspect ratio	16:9	
Display type	LCD Active Matrix Flat Panel Display	
Viewable size	42" diagonal	
Bezel width	1.1" (29mm)	
Screen brightness (typical)	500 cd/m <sup>2</sup>	
Response time (typical)	5 ms	
Frame rate	60Hz	
Contrast ratio (full field)	1500:1	
Full viewing angle	178°	
Color gamut	72% NTSC	
Backlight type	CCFL (cold cathode fluorescent lamp)	
Line voltage	100 - 240V; 50/60Hz	
Power consumption	190W (Max)	
Operating temperature range	0-40°C (32 -104°F)	
Operating humidity range	10-90% RH non-condensing	
Safety regulations	FCC Class A, UL, CE	
Standard inputs	HDMI, DVI, VGA, Composite Video, Component Video, S-Video	
Audio input	Phone jack and L/R RCA jack	
Audio output	RCA jack, external speaker connector (10W x 2)	
Display control	RS-232C in/out, IR Remote Control, Keypad	
Auto brightness control	Ambient light sensor	
Enclosure	Metal, industrial	
Mounting	VESA: 400 x 200mm; 8 holes PC Mounting: 100x200mm; 6 holes	
Auto brightness control	Ambient light sensor	
Display orientation	Landscape	
Features	Video wall support up to 10x10 configuration, Carrying handles, On/Off scheduling, Picture-in-Picture (PiP)	
Optional accessories	Flat wall mount, tilting wall mount, table stand	
Warranty	3-year, 2-day advance replacement	

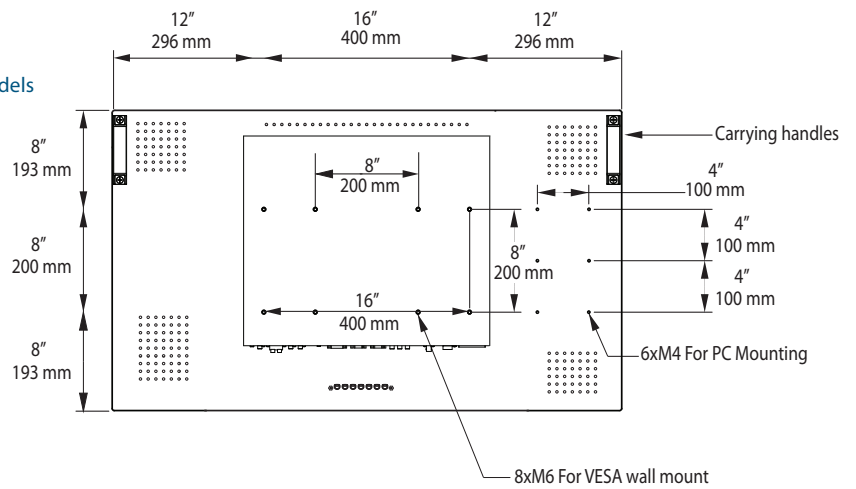
# PLANAR PS4200 and PS4200TL



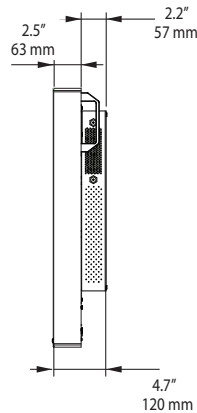
Front  
Both Models



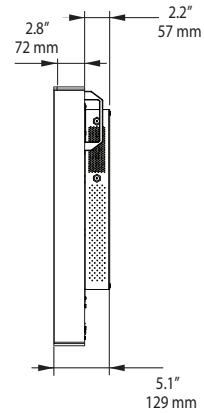
Back  
Both Models



Side  
PS4200



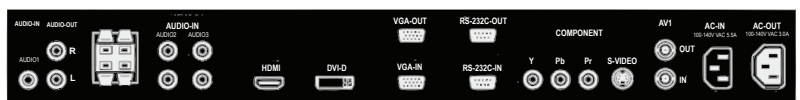
Side  
PS4200TL



## For more information

To learn more about the Planar PS4200 by Planar Systems, call 503-748-1100 or visit [www.planardigitalsignage.com](http://www.planardigitalsignage.com).

## Standard inputs



When image experience matters.

Planar Systems, Inc.  
1195 NW Compton Drive  
Beaverton, OR, 97006-1992, USA  
Toll Free +1-866-475-2627  
[www.planar.com](http://www.planar.com)

Planar is a trademark of Planar Systems, Inc. All other trade and service marks are the property of their holders.

Copyright © 2011 Planar Systems, Inc. All rights reserved. This document may not be copied in any form without written permission from Planar Systems, Inc. Information in this document is subject to change without notice.

15525 9/11