



Steam Dynamo

Model SC1000



Care and Use Instructions

Customer Services, Ewbank Products Ltd, Billington Road, Burnley
Lancashire, BB11 5ED.

Tel: 01282 835841

www.ewbank.co.uk



Thank you for purchasing your Steam Dynamo,
we hope you enjoy using it.

Please read the manual carefully to get the most
out of your product.

Pack contents:

- | | |
|---|-----------|
| • Steam Dynamo - | SC1000RUK |
| • Jug | |
| • Funnel | |
| • Towel - | EB0056 |
| • Straight Adaptor - | EB0048 |
| • Steam Cap - | EB0055 |
| • Extension Wands - | EB0047 |
| • Floor Tool and Adaptor - | EB0051 |
| • Window/Tile Cleaner - | EB0054 |
| • Angled Nozzle - | EB0052 |
| • Plastic Brushes,
Large and Small - | EB0053 |

- **Please note that some accessories are stored at the front of the product under the lifting section.**

Read the instruction book before using the Steam Dynamo and make sure that...

- The cable is in perfect condition.
- All packaging materials are removed from the product.



Safety Instructions - CAUTION

- Do not direct steam at people, animals or at electrical devices.
- Do not operate machine without water in the tank.
- Do not allow machine to run unattended at any time.
- Close supervision is necessary when this machine is used near children. Do not allow it to be used as a toy.
- The machine is designed for household use only, do not expose to rain.
- Do not overfill the water tank. The machine contains a maximum of 1500ml of water only. Excessive filling of the water tank may cause damage or injury.
- Never turn the machine over or tilt more than 45° when it is switched on or if it's still producing steam.
- Use extra care when cleaning on stairs or step-ladders.
- To provide continued protection against the risk of electric shock connect properly grounded outlets only.
- Use only genuine manufacturer's parts.
- It is recommended that a RCD (residual current device) rated at 30mA is fitted into the mains supply socket for added protection against electric shock.
- Do not immerse cord, plug or machine in water or any other liquid.
- Do not drag or try to move boiler by pulling either the hose or the mains lead.
- Do not operate with a damaged cord, keep feet and all parts of body away from the jet of steam. Do not operate machine in bare feet or when wearing open toe shoes or sandals.
- Do not pull or carry by cord, or use cord as a handle, close door on cord or pull cord around sharp edges or corners. Keep cord away from heated surfaces.
- Unplug cleaner when not in use. Turn all controls off before unplugging from electrical outlet.
- Do not unplug by pulling on cord. Always grasp the plug, not the cord. Never handle plug or appliance with wet hands.
- Store in a dry place. Do not expose machine to freezing temperatures.
- This appliance is not intended for use by persons (including children) with reduced physical, sensory or mental capabilities, or lack of experience and knowledge, unless they have been given supervision or instruction concerning use of the appliance by a person responsible for their safety.
- The boiler becomes hot in use. Move only by using the carrying handle.
- Allow to cool completely before emptying boiler.
- Do not stand on boiler or hose.
- The equipment must be unplugged after use and before cleaning.



Warning - Risk of injury

Caution! - Steam 100°C - Don't direct at people or animals

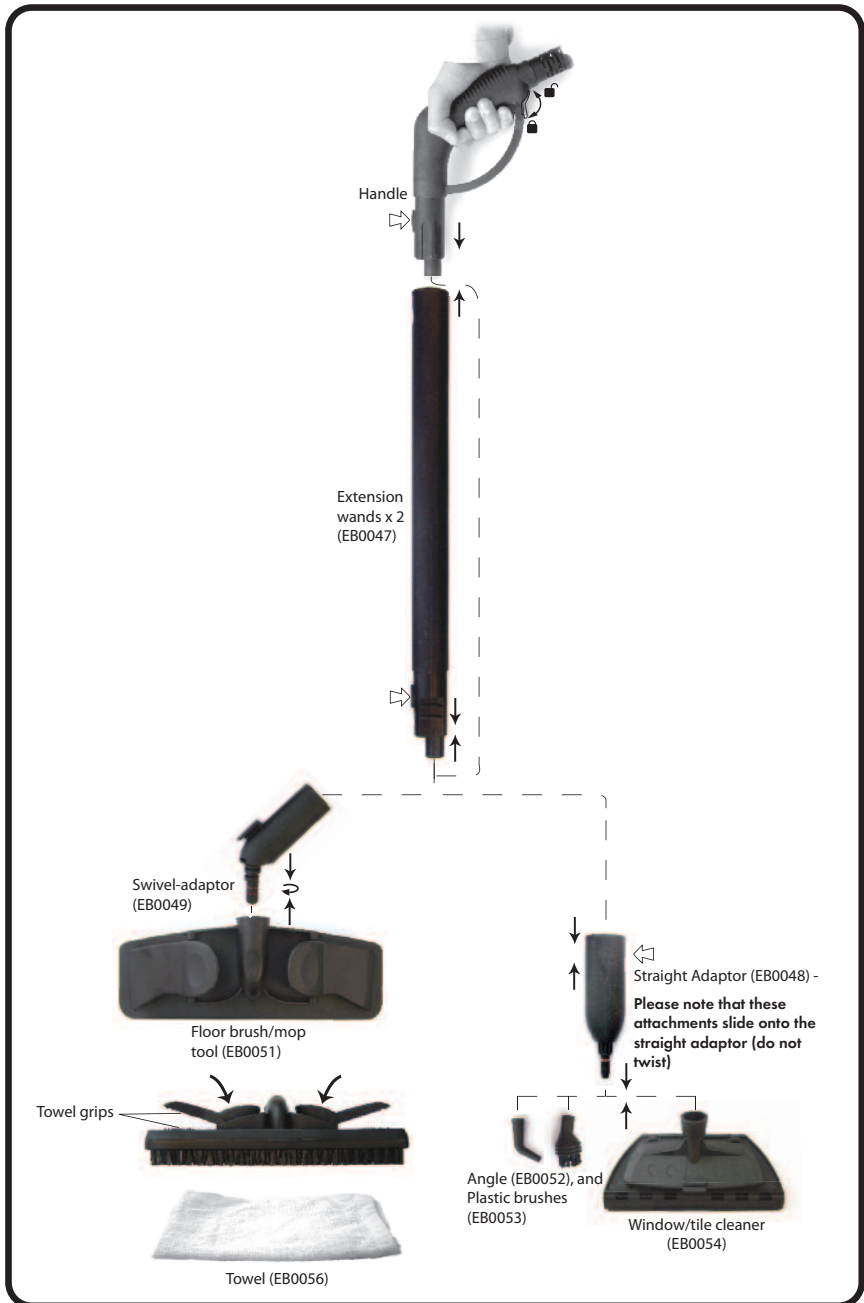
Cleaning Fabrics:

A number of materials and fabrics are NOT suitable to be cleaned by steam for example: Do not use on leather, wax polished furniture or floors, synthetics fabrics, velvet, Dralon or other delicate, steam-sensitive materials.

Cleaning Glass/Mirrors:

Thermal shock can shatter glass. Before cleaning glass surfaces, carefully warm the surface by directing the steam jet on the glass from a distance of no less than 6" or 15cm.

How to put your Steam Dynamo together



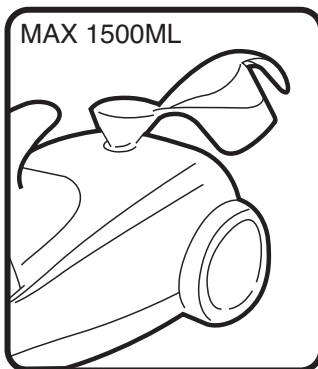
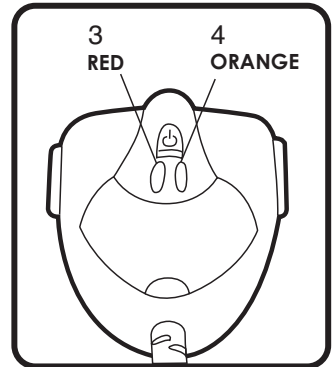
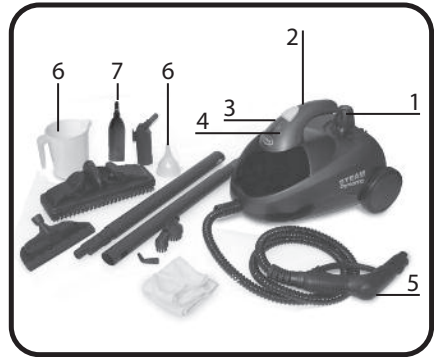
Steam Dynamo

Cleaning Floors

Instructions for Use

- Make sure the machine is unplugged from the electrical outlet.
- Unscrew the safety cap (1) by turning anti-clockwise.

Please note the cap cannot be unscrewed when the unit is pressurized.
- Using the measuring jug and funnel (6) fill the machine with up to 1500ml of water. This should be sufficient to steam clean for approximately 45 minutes.
- Once full, replace the safety cap by turning clockwise and fasten tightly.
- Attach the accessory or floor cleaning tool you require to the machine. (See page 4)
- Now plug the machine into the electrical outlet and switch on. Two lights should illuminate. The red light (3) is a power indicator. The orange light (4) indicates that the machine is building steam pressure. When the machine is first turned on this light will illuminate. The machine takes up to 12 minutes to reach the correct pressure level depending on the amount of water in the tank.
- Once the orange light has gone out the machine is ready to use. The orange light may come back on when the machine is in use. If this happens, release the safety trigger and allow the steam pressure to build up once again. This should take no longer than 40 seconds. If the safety trigger is pressed when the orange light is on, hot water may come out of the machine.

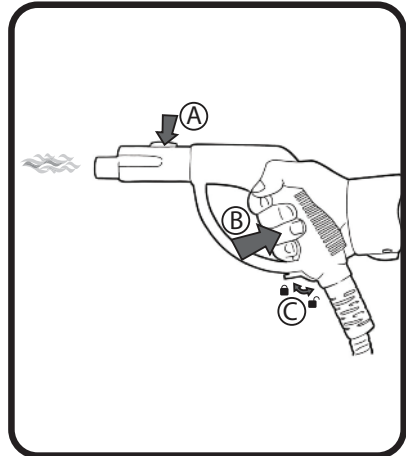


Refilling the water tank

- Switch the machine off using the on/off button (2).
- Disconnect the power cable from the electrical outlet. Wait 5 minutes before squeezing the safety trigger to make sure the machine is no longer under pressure before unscrewing the safety cap. **DO NOT** unscrew the safety cap until the steam has stopped.
- Fill the water tank as necessary using the funnel provided. **DO NOT** exceed 1500ml of water before replacing the safety cap by turning clockwise. Fasten cap tightly.
- You are now ready to switch the machine on and resume steam cleaning.

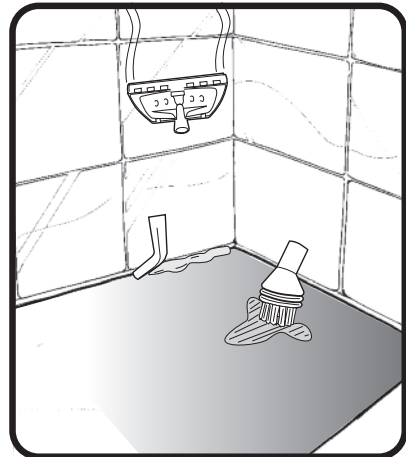
How to use the handle

- A. Press the button in to attach the straight adaptor or the extension tubes.
- B. Squeeze the trigger on the handle for steam.
- C. Lock the trigger for constant steam.



How to use the nozzles

- The angled nozzle and the brush tool can be used to get into awkward corners that are normally difficult to clean.
- Use the brush tool to scrub and loosen stubborn dirt from hard surfaces.
- Use the window/tile cleaner to clean grime from tiles and windows.
- To use these tools, first fit the straight adaptor. Depress the button on top of the handle and push the straight adaptor on.
- Now you can push any of these three tools onto the tip of the jet-nozzle. Please note that these attachments slide onto the straight adaptor (do not twist).



Steam Dynamo

- Attach the floor brush to the extension wands, which snap together. Then attach the extension wand to the steam gun. Do ensure the extension wands are firmly connected.
- Before cleaning always remove dust from the surface you wish to clean.
- To release the extension wands depress the button on the hose connection.

Cleaning floors & carpets with cleaning cloth.

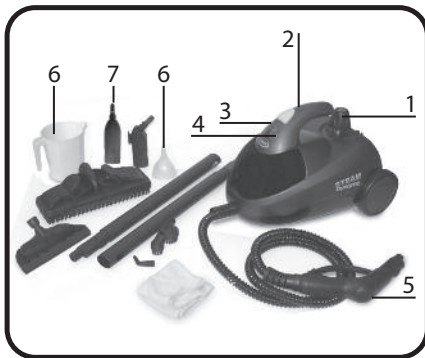
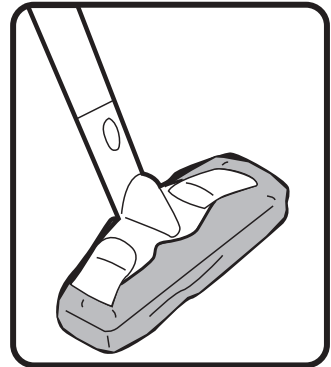
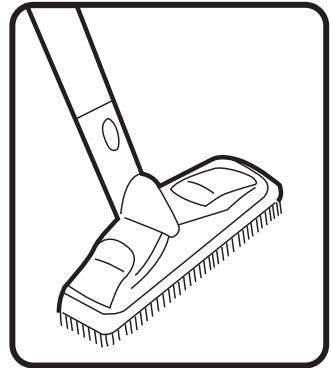
- While the machine is switched off attach the cleaning cloth to the floor brush via the spring-loaded clips, Make sure the edges of the cleaning cloth are secure. DO NOT attempt to do this while the machine is still hot.
- Never remove the cleaning cloth while the safety trigger is released or the machine is warm to the touch.

WARNING - Risk of injury!

Fitting the Accessories

- The accessories may be fitted to the steam gun (5) using adaptor (7).
- When fitting the squeegee, adaptor (7) is required.

When using the round brushes or high-pressure nozzle, adaptor (7) is required.



Cleaning and Maintenance

- Cleaning and maintenance operations should be carried out with the appliance disconnected from the power supply.
- The machine should be allowed to completely cool down before it is stored away or cleaned.
- Clean the machine and its accessories with a slightly damp cloth only.
- Never use a cleaning product or detergent.
- To ensure that your machine operates correctly over a long period, rinse out the water tank once a month to remove lime-scale deposits. A vinegar solution or a proprietary de-scaler solution can be used to clean inside the water tank.
- There are no customer service parts to the boiler unit, all repairs must be carried out by a qualified person.

Technical data

- 2.5 metre power cord
- Water capacity - 1500ml
- Steam-up time – up to 12 minutes depending on volume of water
- Working time – 45 minutes
- Tank material - Stainless Steel
- Power - 1500W

Troubleshooting

• **Water comes out of the Nozzle**

The Steam Cleaner creates a large amount of steam. This may condense as water or water droplets in the Steam Hose and can be expelled when used after a period of cooling. This is normal and not a cause for concern.

• **No Steam comes out**

Check that the hose has not become kinked or blocked. Also check the power supply and water level.

• **I can't get the Pressure Cap off**

Make sure that you have fully de-pressurized the Boiler. See the section 'Refilling the water in use'.

• **Steam flow is erratic; sometimes it works well, other times it does not**

If you have not used distilled or deionized water, you may have a small blockage inside your Steam Cleaner. Try descaling your unit. Check all attachments are fitted correctly.

• **I live in a hard water area, my Steam Cleaner does not work as well**

Empty the machine after use. In hard water areas your Steam Cleaner may benefit from occasional descaling. This can be done by using a kettle descaler solution. You can also use distilled or deionized water to extend the life of the product.

INFORMATION ON THE DISPOSAL OF WASTE ELECTRICAL EQUIPMENT KNOWN AS WEEE

Your attention is brought to new directives applicable to the disposal of this electrical equipment, where in accordance with the legislation this product must not be disposed of in your normal household waste. Instead it is your responsibility to dispose of this type of waste by handing it over to special designated collection points for recovery and recycling. This product is marked with a 'Wheelie bin' symbol with a cross on it to remind you of this action. The objective of this directive is to help conserve resources and ensure that it is recycled in a manner that protects human health and the environment. For more information about where you can drop off your waste please contact your local authority, take back facilities are free of charge.



Your Guarantee

This product is covered by a 12 month guarantee.

This does not cover normal wear and tear or abuse.

For guarantee purposes, please retain your original receipt as proof of purchase.

This guarantee does not affect your statutory rights.

For spares, service and further information please contact;

Customer Services, Ewbank Products Ltd, Billington Road, Burnley, Lancashire, BB11 5ED

Tel: 01282 835841

www.ewbank.co.uk

Made in China

2010 © Ewbank Products Ltd

ED0028 02/10