

CAT5Balun

CAT5 DISTRIBUTION



high
performance

PROGRADE

UTP Balun Transformer

Distribute a high definition component video/digital audio source to a remote location over extended distances using economical CAT5 cable.

- Uses standard CAT5 or CAT6 cable
- Can be used with four composite video channels and mono analog audio
- Four RCA connectors for component video and digital SPDIF audio
- Heavy gauge steel, powder-coated chassis, is corrosion and scratch resistant.

Call **1.800.767.6189** or **469.429.9200**

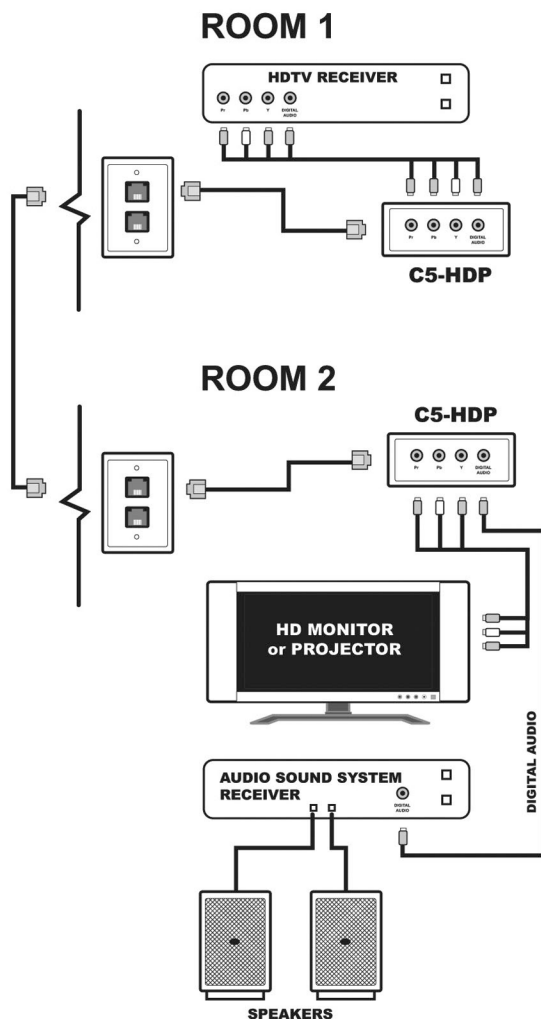


3209 Wood Drive
Garland, TX 75041
Toll free: 800.767.6189
www.celabs.net

CAT5Balun

CAT5 DISTRIBUTION

Distribute a high definition component video/digital audio source to a remote location over extended distances using economical CAT5 cable.



Video

Nominal Input Level: 1 Volt peak to peak

Gain: N/A (passive unit)

Input Impedance: 75 ohms, Unbalanced

Output impedance: 100 ohms, Balanced

Isolation port to port: > 60 dB

Isolation out to input: Bidirectional

Return loss: > 15 dB

Video bandwidth: > 35 MHz

Audio (Digital & Analog)

1 Audio Channel Available: It may be used to transport a SPDIF digital audio signal or a mono audio signal (mono analog signal will be attenuated slightly due to lower impedance of the digital audio channel.)

Distance

The adapter provides a minimum of signal loss and may be used for high definition distribution with cable lengths up to 200 feet typically with no monitor adjustment.

Composite video picture quality is excellent in excess of 750 feet. When used in security applications, a monochrome picture will work in excess of 1,500 feet.

Power

Requirement: No power required



3209 Wood Drive
Garland, TX 75041
Toll free: 800.767.6189
www.celabs.net

CE labs® is a manufacturer of high quality HD, HDMI and component matrix switchers, distribution amplifiers, CAT5 extenders, active and passive baluns, digital media players, RF modulators and amplifiers. CE labs® features an in-house design studio capable of custom electronic merchandising solutions including interactive displays, kiosks and digital signage content. CE labs® is an industry icon proudly celebrating 20 years of innovative design and dedicated customer service.