

P R E M I U M  
B B E W I N W  
H O M E T H E A T E R A C C E S S O R I E S





# VANCO INTERNATIONAL *Home Theater* *Innovation*

Vanco International is a leading supplier of cutting edge home theater accessories. With the accelerated development of digital consumer electronic products, separation between technologies has been rapidly disappearing. The convergence of these technologies allows audio and voice, data networks, computers and real time, multi-channel video to be delivered on the same media at speeds unheard of a decade ago. Vanco is committed to providing leading edge electronic accessories that advance connectivity and embrace the digital information evolution.

Vanco draws upon years of electronic experience to design and offer innovate electronic accessory products that address emerging new markets. Their high-end home theater digital product offering includes Blue Jet® HDMI™ Matrix Switchers, HDMI™ V1.3 Cable, HDMI™ V1.3 Switchers and Splitters, Unique Whole House Audio and Home Theater Wall Plates, Patent-Pending Hinged Bulk Cable Wall Plates, Rapid Link Power™ In-Wall Power Solution and Patent-Pending QuickTye-Standoffs®.

With more than 50 years in the Electronics Accessories Industry, Vanco remains passionate about the customer, demanding high quality and innovative product development combined with impeccable customer service.



# Table of Contents

Blue Jet® HDMI™ Matrix Switchers .....	2
HDMI™ Splitters/Extenders.....	4
Audio/Video Selector Switches.....	6
HDMI™, Component Video, & VGA over Cat 5e Extenders.....	10
HDMI™ In-line Extenders .....	14
HDMI™ A/V Cables .....	15
Display Port Cables.....	19
Premium Video and Audio Cables.....	20
HDMI™ Adapters.....	28
Premium Home Theater Wall Plates and Connectors.....	30
Bulk Cable Wall Plates .....	42
Low Voltage Mounting Devices .....	44
Category Jacks and Keystone Inserts.....	47
Datacom Keystone Wall Plates .....	53
Category Networking Cables.....	55
Rapid Link™ In-Wall Power Solution .....	57
QuickTye-Standoffs®.....	61
Index .....	62

**Vanco International**  
506 Kingsland Dr.  
Batavia, IL 60510

call 1.800.626.6445  
fax 1.630.879.9189  
visit [www.vanco1.com](http://www.vanco1.com)



## Blue Jet® HDMI™ 4 x 4 Matrix Selector Switch



- ✓ Allows up to Four (4) HDMI Audio/Video Devices to be Independently Switched to Four (4) HDMI Monitors, HDTVs, or Projectors
- ✓ Supports High Definition Resolutions 1080p, 1080i, 720p and Standard Video Format
- ✓ H.D.C.P. (High-Bandwidth Digital Content Protection) Compliant
- ✓ HDMI 1.3 Compliant
- ✓ Includes IR Remote Control and Rack Ears
- ✓ RS232 Port
- ✓ IR Extender Jack, 3.5 mm Stereo
- ✓ 5V DC, UL Listed Power Supply
- ✓ Dimensions: 16.96" W x 1.75" H x 7.9" D
- ✓ **For Compatibility Information see page 64**



Front



Back



### APPLICATION:



Allows Any Source (Next Generation DVD Player, Satellite Receiver, Game System, etc.) to be shown on Multiple Displays Simultaneously

PART NO.	PKG.
281444	Pkgd

## Blue Jet® HDMI™ 4 x 2 Matrix Selector Switch



- ✓ Allows up to Four (4) HDMI Audio/Video Devices to be Independently Switched to Two (2) HDMI Monitors, HDTVs, or Projectors
- ✓ Supports High Definition Resolutions 1080p, 1080i, 720p and Standard Video Format
- ✓ H.D.C.P. (High-Bandwidth Digital Content Protection) Compliant
- ✓ HDMI 1.3 Compliant
- ✓ Includes IR Remote Control and Rack Ears
- ✓ RS232 Port
- ✓ IR Extender Jack, 3.5 mm Stereo
- ✓ 5V DC, UL Listed Power Supply
- ✓ Dimensions: 16.96" W x 1.75" H x 7.9" D
- ✓ **For Compatibility Information see page 64**



Front



Back



### APPLICATION:



Allows Any Source (Next Generation DVD Player, Satellite Receiver, Game System, etc.) to be shown on Multiple Displays Simultaneously

PART NO.	PKG.
284220	Pkgd

## Blue Jet® HDMI™ 2 x 4 Matrix Selector Switch



- ✓ Allows up to Two (2) HDMI Audio/Video Devices to be Independently Switched to Four (4) HDMI Monitors, HDTVs, or Projectors
- ✓ Supports High Definition Resolutions 1080p, 1080i, 720p and Standard Video Format
- ✓ H.D.C.P. (High-Bandwidth Digital Content Protection) Compliant
- ✓ HDMI 1.3 Compliant
- ✓ Includes IR Remote Control and Rack Ears
- ✓ RS232 Port
- ✓ IR Extender Jack, 3.5 mm Stereo
- ✓ 5V DC, UL Listed Power Supply
- ✓ Dimensions: 16.96" W x 1.75" H x 7.9" D
- ✓ **For Compatibility Information see page 64**



Front



Back



### APPLICATION:

Allows Any Source (Next Generation DVD Player, Satellite Receiver, Game System, etc.) to be shown on Multiple Displays Simultaneously

PART NO.	PKG.
281244	Pkgd

## Blue Jet® HDMI™ 2 x 2 Matrix Selector Switch



- ✓ Allows up to Two (2) HDMI Audio/Video Devices to be Independently Switched to Two (2) HDMI Monitors, HDTVs, or Projectors
- ✓ Supports High Definition Resolutions 1080p, 1080i, 720p and Standard Video Format
- ✓ H.D.C.P. (High-Bandwidth Digital Content Protection) Compliant
- ✓ HDMI 1.3 Compliant
- ✓ Includes IR Remote Control
- ✓ RS232 Port
- ✓ IR Extender Jack, 3.5 mm Stereo
- ✓ 5V DC, UL Listed Power Supply
- ✓ Dimensions: 10.4" W x 1.1" H x 6.02" D
- ✓ **For Compatibility Information see page 64**



Front



Back



### APPLICATION:

Allows Any Source (Next Generation DVD Player, Satellite Receiver, Game System, etc.) to be shown on Multiple Displays Simultaneously

PART NO.	PKG.
281222	Pkgd

## 2 x 8 HDMI™ Splitter/Extender



- ✓ Use as an Extender by Placing at the End of a Long HDMI™ Cable to Regenerate the HDMI™ Signal
- ✓ Supports High Definition Resolutions 1080p, 1080i, 720p, and Standard Video Format
- ✓ HDMI 1.3 Compliant
- ✓ H.D.C.P. (High-Bandwidth Digital Content Protection) Compliant
- ✓ 2 Inputs to 8 Outputs
- ✓ Audio/Video Input and Output Type: HDMI (19 Pin - Type A) Female Jack
- ✓ 5V DC, UL Listed Power Supply
- ✓ Dimensions: 13.5" W x 1" H x 4.68" D
- ✓ **For Compatibility Information see page 64**



Front



Back

### APPLICATION:

Allows Two HDTV Audio/Video Device (Digital Cable Box, DVD player) with a HDMI™ Output to be Connected to up to Eight HDTV Display Devices (HDTV, LCD projector) with HDMI™ Inputs

PART NO.	PKG.
280382	Pkgd

## 1 x 8 HDMI™ Splitter/Extender



- ✓ Use as an Extender by Placing at the End of a Long HDMI™ Cable to Regenerate the HDMI™ Signal
- ✓ Supports High Definition Resolutions 1080p, 1080i, 720p, and Standard Video Format
- ✓ HDMI 1.3 Compliant
- ✓ H.D.C.P. (High-Bandwidth Digital Content Protection) Compliant
- ✓ 1 Inputs to 8 Outputs
- ✓ Audio/Video Input and Output Type: HDMI (19 Pin - Type A) Female Jack
- ✓ 12V DC, UL Listed Power Supply
- ✓ Dimensions: 11.2" W x 1.75" H x 7" D
- ✓ **For Compatibility Information see page 64**



Front



Back

### APPLICATION:

Allows One HDTV Audio/Video Device (Digital Cable Box, DVD player) with a HDMI™ Output to be Connected to up to Eight HDTV Display Devices (HDTV, LCD projector) with HDMI™ Inputs

PART NO.	PKG.
280418	Pkgd

## 2 x 4 HDMI™ Splitter/Extender



- ✓ Use as an Extender by Placing at the End of a Long HDMI™ Cable to Regenerate the HDMI™ Signal
- ✓ Supports High Definition Resolutions 1080p, 1080i, 720p, and Standard Video Format
- ✓ HDMI 1.3 Compliant
- ✓ H.D.C.P. (High-Bandwidth Digital Content Protection) Compliant
- ✓ 2 Inputs to 4 Outputs
- ✓ Audio/Video Input and Output Type: HDMI (19 Pin - Type A) Female Jack
- ✓ 12V DC, UL Listed Power Supply
- ✓ Dimensions: 9" W x 1" H x 4.75" D
- ✓ **For Compatibility Information see page 64**



Front



Back

### APPLICATION:

Allows Two HDTV Audio/Video Device (Digital Cable Box, DVD player) with a HDMI™ Output to be Connected to up to Four HDTV Display Devices (HDTV, LCD projector) with HDMI™ Inputs

PART NO.	PKG.
280334	Pkgd

## 1 x 4 HDMI™ Splitter/Extender



- ✓ Use as an extender by placing at the end of a long HDMI™ cable to Regenerate the HDMI™ Signal
- ✓ Supports High Definition Resolutions 1080p, 1080i, 720p, and Standard Video Format
- ✓ HDMI 1.3 Compliant
- ✓ H.D.C.P. (High-Bandwidth Digital Content Protection) Compliant
- ✓ 1 Input to 4 Outputs
- ✓ Audio/Video Input and Output Type: HDMI™ (19 Pin - Type A) Female Jack
- ✓ 5V DC, UL Listed Power Supply
- ✓ Dimensions: 10.4" W x 1.1" H x 6" D
- ✓ **For Compatibility Information see page 64**



Front



Back

### APPLICATION:

Allows One HDTV Audio/Video Device (Digital Cable Box, DVD player) with a HDMI™ Output to be Connected to up to Four HDTV Display Devices (HDTV, LCD projector) with HDMI™ Inputs

PART NO.	PKG.
280327	Pkgd

## 1 x 2 HDMI™ Splitter/Extender



- ✓ Use as an Extender by Placing at the end of a long HDMI™ Cable to Regenerate the HDMI™ Signal
- ✓ Supports High Definition Resolutions 1080p, 1080i, 720p, and Standard Video Format
- ✓ HDMI 1.3 Compliant
- ✓ H.D.C.P. (High-Bandwidth Digital Content Protection) Compliant
- ✓ 1 Input to 2 Outputs
- ✓ Audio/Video Input and Output Type: HDMI™ (19 Pin - Type A) Female Jack
- ✓ 5V DC, UL Listed Power Supply
- ✓ Dimensions: 7.5" W x 1" H x 3.44" D
- ✓ **For Compatibility Information see page 64**



### APPLICATION:

Allows One HDTV Audio/Video Device (Digital Cable Box, DVD player) with a HDMI™ Output to be Connected to up to Two HDTV Display Devices (HDTV, LCD projector) with HDMI™ Inputs

PART NO.	PKG.
280332	Pkgd

## 3 Way Digital HDMI™ Selector Switch with IR Remote Control



- ✓ Use as an Extender by Placing at the End of a Long HDMI™ Cable to Regenerate the HDMI™ Signal
- ✓ Supports High Definition Resolutions 1080p, 1080i, 720p and Standard Video Format
- ✓ HDMI 1.3 Compliant
- ✓ H.D.C.P. (High-Bandwidth Digital Content Protection) Compliant
- ✓ 3 Inputs to 1 Output
- ✓ Audio/Video Input and Output Type: HDMI (19 Pin - Type A) Female Jack
- ✓ IR Extender Jack, 3.5 mm Stereo
- ✓ 5V DC, UL Listed Power Supply
- ✓ Dimensions: 4.75" W x .75" H x 2.5" D
- ✓ **For Compatibility Information see page 64**



### APPLICATION:

Connects Three HDMI™ Audio/Video Devices (Digital DVD Player, Satellite Receiver) to a HDTV Display

PART NO.	PKG.
280329	Pkgd



## A/V Digital/Analog Selector Switch with IR Remote Control

- ✓ Built-in HDMI™ Output Signal Extender Up to 100 ft.
- ✓ H.D.C.P. (High-Bandwidth Digital Content Protection) Compliant
- ✓ Supports High Definition 1080p, 1080i, 720p and Standard Video Format
- ✓ Allows for Switching Between Like Inputs and Outputs Only (HDMI to HDMI, VGA to VGA, etc.)
- ✓ HDMI™- Digital Audio/Video: HDMI 3 In - HDMI™ 1 Out
- ✓ VGA - Analog Video: VGA 3 In - VGA 1 Out
- ✓ RGB Component Video and Audio: RGB 3 In - RGB 1Out
- ✓ Composite Analog Audio and Video: Composite 3 In - Composite 1 Out
- ✓ IR Extender Jack, 3.5 mm Stereo
- ✓ 6V DC, UL Listed Power Supply
- ✓ Infrared Remote Control
- ✓ Does not Convert from Digital to Analog Signals
- ✓ Dimensions: 12.5" W x 2.25" H x 6" D
- ✓ **For Compatibility Information see page 64**



### APPLICATION:

Connects Three HDMI™, VGA, RGB Component Video or Composite Audio/Video Devices to a HDTV Display

PART NO.	PKG.
280326	Pkgd

## RGB Component/Composite Audio/Video Selector Switch

- ✓ Connects Audio/Video Devices with Either RGB Component Video Connections or Composite Video Connections to One Television or Flat Panel Display
- ✓ Allows (3) RGB Component Video Inputs to (1) RGB Component Video Output
- ✓ Allows (2) Composite, S-Video and Stereo Audio Inputs to (1) Composite, S-Video and Stereo Audio Output. (1) Set located on Front of Switch with 3.5 mm Stereo Audio Jack
- ✓ Does not Covert Component (RGB) Video to Composite or S-Video
- ✓ Dimensions: 10.75" W x 1.5" H x 4.5" D



PART NO.	PKG.
280322	Pkgd

## Digital HDMI™/DVI Video Selector A/B Switch

- ✓ Allows Switching Between Two Sources with Like Inputs to the Same Output Only:
  - (2) HDMI Inputs to (1) HDMI Output
  - (2) DVI Inputs to (1) DVI Output
  - (2) Stereo Audio (L/R) Inputs to (1) Stereo Audio (L/R) Output
  - (2) Digital Audio RCA Inputs to (1) Digital Audio RCA Output
- ✓ Does not Convert from Digital to Analog Signals
- ✓ Dimensions: 5.5" W x 1.25" H x 5.5" D



PART NO.	PKG.
280321	Pkgd

## Six Pair Stereo Speaker Selector Box

- ✓ Six Pairs of Speakers can be Controlled Independently. Any One Pair or Up to All Six Pairs of Speakers can be Played at the Same Time
- ✓ Two Sets of Electrical Safety Devices for Safeguarding the Stereo Amplifier have been Installed to Protect the Stereo Amplifier Against Shorting of Lines and/or Open Speaker Connectors
- ✓ Rated 100 Watts Continuous per Channel
- ✓ 8 Ohm Impedance
- ✓ Accepts 14 to 22 AWG Speaker Wire
- ✓ Button Indicator Labels to Customize Your Selector to Make Speaker Selection Fool-Proof
- ✓ Push Terminal Connections
- ✓ Dimensions: 11.75" W x 2.88" H x 5.88" D



Front



Back

PART NO.	PKG.
SS6	Pkgd

## 1 X 8 VGA Splitter



- ✓ Ideal for Commerical Demonstrations, Conferences, Conventions, School and Corporate Training and Presentations
- ✓ Supports 450 MHz Video Bandwidth for Each Port
- ✓ Supports Computer Resolutions QXGA (2048 x 1536), UXGA (1600x1200), SXGA (1280x1024), XGA (1024x768), SVGA (800x600), VGA (640x480)
- ✓ One (1) Input HD-DB15 (15 Pin) Female Jack
- ✓ Eight (8) Output HD-DB15 (15 Pin) Female Jacks
- ✓ 6 V DC, UL Listed Power Supply
- ✓ Dimensions: 7.87" W x 1.65" H x 2.95" D

Note: Incompatible with CGA, EGA, and Mono Monitors



Front



Back

### APPLICATION:

Use to Duplicate and Boost Signals from a Single Source to Eight Monitors or Other Display Devices

PART NO.	PKG.
280448	Pkgd

## 1 X 4 VGA Splitter



- ✓ Ideal for Commerical Demonstrations, Conferences, Conventions, School and Corporate Training and Presentations
- ✓ Supports 450 MHz Video Bandwidth for Each Port
- ✓ Supports Computer Resolutions QXGA (2048 x 1536), UXGA (1600x1200), SXGA (1280x1024), XGA (1024x768), SVGA (800x600), VGA (640x480)
- ✓ One (1) Input HD-DB15 (15 Pin) Female Jack
- ✓ Four (4) Output HD-DB15 (15 Pin) Female Jacks
- ✓ 6 V DC, UL Listed Power Supply
- ✓ Dimensions: 7.87" W x 1.65" H x 2.95" D

Note: Incompatible with CGA, EGA, and Mono Monitors



Front



Back

### APPLICATION:

Use to Duplicate and Boost Signals from a Single Source to Four Monitors or Other Display Devices

PART NO.	PKG.
280444	Pkgd

## HDMI™ Over Single Category 5e Cable Extender

### APPLICATION:

Allows HDMI audio/video signals to be transmitted using one Cat 5e or Cat 6 cable

- ✓ Transmission Range:
  - Extends 1080p resolution up to 40 meters (130 ft)
  - Extends 1080i/720p resolution up to 60 meters (196 ft)
- ✓ Supports high definition resolutions 1080p, 1080i, 720p and standard video format
- ✓ Supports computer resolutions up to 1920x1200 (WUXGA), 12-bit color depth
- ✓ HDMI 1.3 Compliant
- ✓ H.D.C.P. (High-Bandwidth Digital Content) Compliant
- ✓ Adjustable control of equalization and amplification
- ✓ 2 Power Supplies: 5V DC, UL Listed: (1) for Transmitter and (1) for Receiver
- ✓ Dimensions: 2" W x 1.88" H x 3.25" D



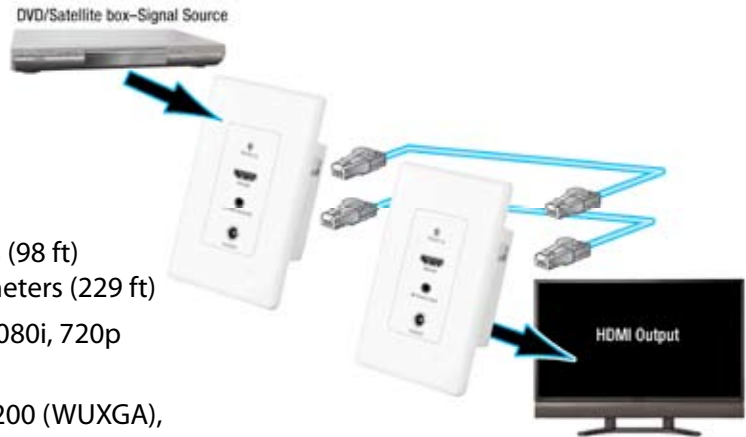
PART NO.	PKG.
280532	Pkgd

## HDMI™ Over 2X Category 5e Cables Wall Plate Extender

### APPLICATION:

Allows HDMI audio/video signals to be transmitted using two Cat 5e or Cat 6 cables

- ✓ Transmission Range:
  - Extends 1080p resolution up to 30 meters (98 ft)
  - Extends 1080i/720p resolution up to 70 meters (229 ft)
- ✓ Supports high definition resolutions 1080p, 1080i, 720p and standard video format
- ✓ Supports computer resolutions up to 1920x1200 (WUXGA), 12-bit color depth
- ✓ HDMI 1.3 Compliant
- ✓ H.D.C.P. (High-Bandwidth Digital Content) Compliant
- ✓ 2 Power Supplies: 5V DC, UL Listed: (1) for Transmitter and (1) for Receiver



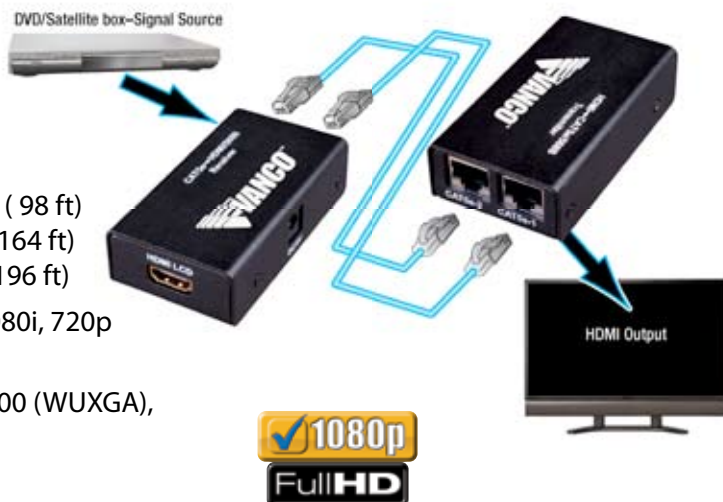
PART NO.	PKG.
280521	Pkgd

## HDMI™ Extender Over 2X Category 5e Cables

### APPLICATION:

Allows HDMI audio/video signals to be transmitted using two Cat 5e or Cat 6 cables

- ✓ Transmission Range:
  - Extends 1080p resolution up to 30 meters ( 98 ft)
  - Extends 1080i resolution up to 50 meters (164 ft)
  - Extends 720p resolution up to 60 meters (196 ft)
- ✓ Supports high definition resolutions 1080p, 1080i, 720p and standard video format
- ✓ Supports computer resolutions up to 1920x1200 (WUXGA), 12-bit color depth
- ✓ HDMI 1.3 Compliant
- ✓ H.D.C.P. (High-Bandwidth Digital Content Protection) Compliant
- ✓ Data Speed Transfer: 10.2 Gbps
- ✓ 5V DC, UL Listed Power Supply
- ✓ Dimensions: 2"W x 1.88" H x 3.25" D



PART NO.	PKG.
280502	Pkgd

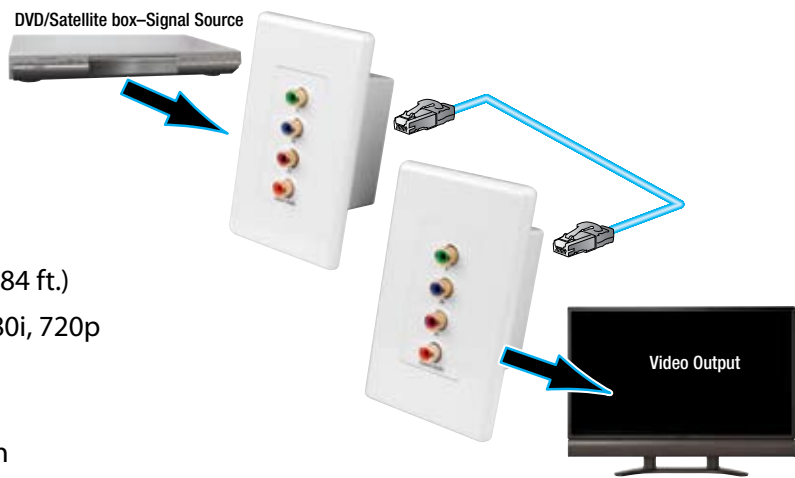
Check Out Innovative New Products, How-to Connection Guides, Product Manuals, and Demo Videos at the NEW [www.vanco1.com](http://www.vanco1.com)

## RGB Component Video + Digital Audio over Cat5e Wall Plate Extender

### APPLICATION:

Allows Component Video and Digital Audio Signals to be Transmitted using one Cat5e or Cat 6 cable

- ✓ Transmission Range: Up to 300 meters (984 ft.)
- ✓ Supports High Definition Resolutions 1080i, 720p and Standard Video Format
- ✓ Passive, No Power Required
- ✓ Wall Mountable Type for a Neat and Clean Installation
- ✓ Perfect for DVD, VCR, DVR, TV, Satellite Receivers, Monitors, Home Theater and other Equipment that Supports Component Video



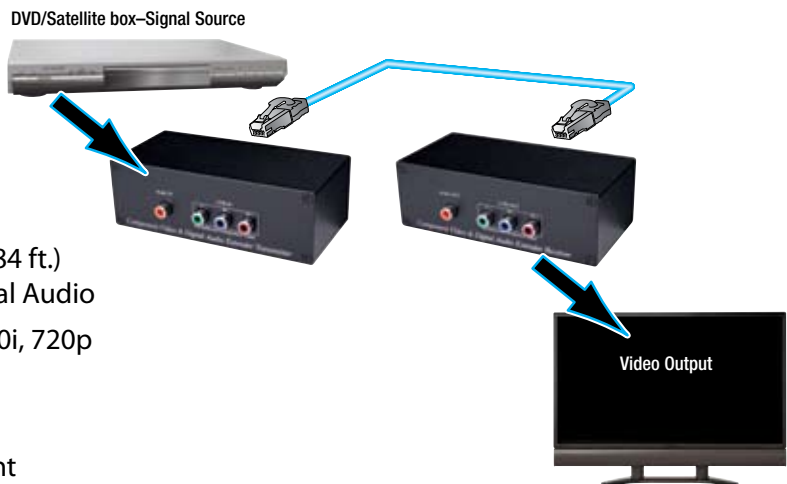
PART NO.	TYPE	PKG.
120912	with Digital Audio	Pkgd
120903	without Digital Audio	Pkgd

## RGB Component Video + Digital Audio over Cat5e Extender

### APPLICATION:

Allows Component Video and Digital Audio Signals to be Transmitted using one Cat5e or Cat 6 cable

- ✓ Transmission Range: Up to 300 meters (984 ft.) for Video and 180 meters (590 ft) for Digital Audio
- ✓ Supports High Definition Resolutions 1080i, 720p and Standard Video Format
- ✓ Passive, No Power Required
- ✓ Perfect for Integrated Home Entertainment Application
- ✓ Perfect for DVD, VCR, DVR, TV, Satellite Receivers, Monitors, Home Theater and other Equipment that Supports Component Video
- ✓ Dimensions:
  - 280523: 5.25" W x 1.75" H x 2.5" D
  - 280503: 4.31" W x .88" H x 3" D



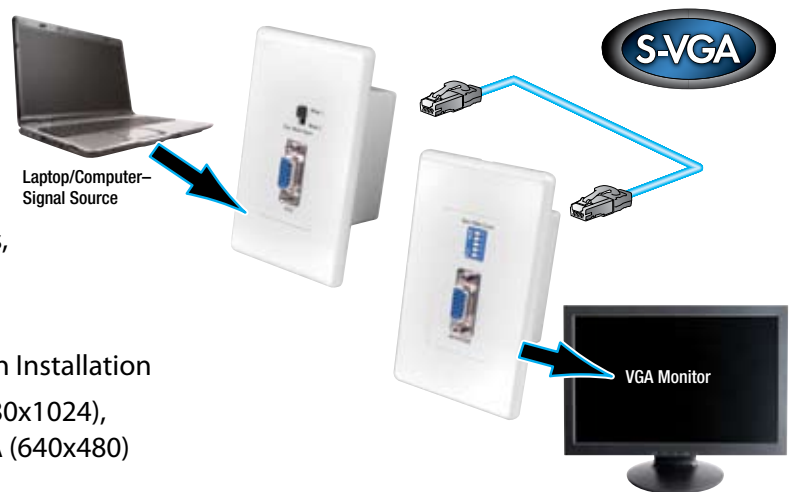
PART NO.	TYPE	PKG.
280523	with Digital Audio	Pkgd
280503	without Digital Audio	Pkgd

## SVGA over Cat5e Wall Plate Extender

### APPLICATION:

Allows VGA Signals to be Transmitted using one Cat5e or Cat 6 cable

- ✓ Ideal for Classroom Video Distribution, Lecture Halls, Overhead Projector Systems, and Tradeshows etc.
- ✓ Passive, No Power Needed
- ✓ Wall Mountable Type allows for Easy, Clean Installation
- ✓ Supports computer resolutions SXGA (1280x1024), XGA (1024x768), SVGA (800x600) and VGA (640x480)
- ✓ Signal Transmission Distance:
  - Supports up to 60 meters (197 ft) with resolution 1280x1024
  - Supports up to 75 meters (246 ft) with resolution 1024x768
  - Supports up to 105 meters (344 ft) with resolution 800x600
  - Supports up to 135 meters (443 ft) with resolution 640x480



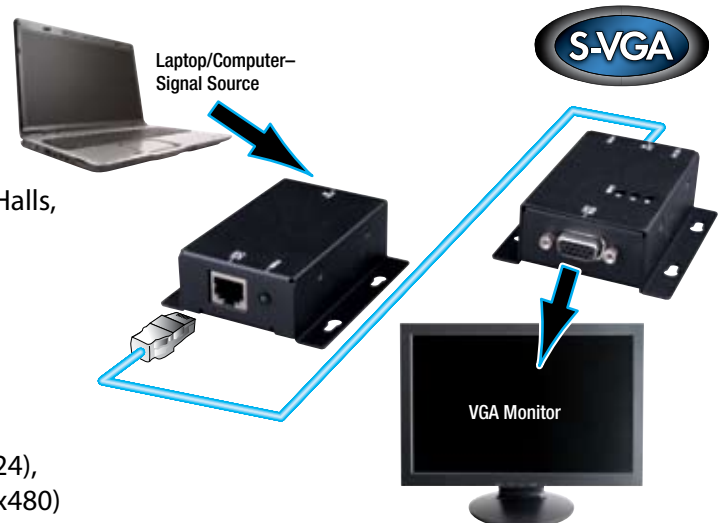
PART NO.	PKG.
120921	Pkgd

## SVGA over Cat5e Extender

### APPLICATION:

Allows VGA Signals to be Transmitted using one Cat5e or Cat 6 cable

- ✓ Ideal for Classroom Video Distribution, Lecture Halls, Overhead Projector Systems, Tradeshows etc.
- ✓ Passive, No Power Needed
- ✓ LED Indicator Light
- ✓ Metal Housing with Easy Wall Mounts
- ✓ RoHS Compatible
- ✓ Supports computer resolutions SXGA (1280x1024), XGA (1024x768), SVGA (800x600) and VGA (640x480)
- ✓ Signal Transmission Distance:
  - Supports up to 60 meters (197 ft) with resolution 1280x1024
  - Supports up to 75 meters (246 ft) with resolution 1024x768
  - Supports up to 105 meters (344 ft) with resolution 800x600
  - Supports up to 135 meters (443 ft) with resolution 640x480
- ✓ 5V DC, UL Listed Power Supply
- ✓ Dimensions: 2.88" W x 1" H x 3.25" D



PART NO.	PKG.
280504	Pkgd

## Powered HDMI™ In-Line Extender

- ✓ Use to Join or Extend the Length of Two HDMI™ Cables
- ✓ Active Cable Extender/ Dynamic Equalizer Provides Up to 40 dB of Insertion Loss Correction at 825 MHz and Automatically Adapts to any Cable Length Connected
- ✓ Supports High Definition Resolutions 1080p, 1080i, 720p, and Standard Video Format
- ✓ HDMI 1.3 Compliant
- ✓ H.D.C.P. (High-Bandwidth Digital Content Protection) Compliant
- ✓ 5V DC, UL Listed Power Supply
- ✓ Status Indicator Light
- ✓ Dimensions: 2.91" W x .87" H x 3.27" D



Front



Back

PART NO.	PKG.
280520	Pkgd

## HDMI™ In-Line Extender

- ✓ Use to Join or Extend the Length of Two HDMI™ Cables
- ✓ Self Powered Active Circuitry Regenerates the High Definition Video and Audio Signal
- ✓ Delivers Clean, Uncompressed Digital Signals for Longer Length Connections
- ✓ Supports High Definition Resolutions 1080p, 1080i, 720p, and Standard Video Format
- ✓ HDMI 1.3 Compliant
- ✓ H.D.C.P. (High-Bandwidth Digital Content Protection) Compliant
- ✓ Dimensions: 1.56" W x .5" H x 2" D



PART NO.	PKG.
280320	Pkgd

## HDMI™ In-Line Coupler

- ✓ Use to join Two HDMI™ Cables
- ✓ Delivers Clean, Uncompressed Digital Signals for Longer Length Connections
- ✓ Supports High Definition Resolutions 1080p, 1080i, 720p, and Standard Video Format
- ✓ HDMI 1.3 Compliant
- ✓ Dimensions: 1" W x .5" H x 1.25" D



PART NO.	PKG.
280328	Pkgd
280328X	Bulk



## Blue Jet® HDMI™ 1.3 Audio/Video Cable

- ✓ Uncompressed Digital Video and Multi-Channel Audio On One Cable
- ✓ HDMI 1.3 Compliant
- ✓ Supports High Definition Resolutions 1080p, 1080i, 720p and Standard Video Format
- ✓ Data Speed Transfer: 10.2 Gbps
- ✓ 100 ft and 75 ft. Include an Extender that Delivers Clean, Razor-Sharp Digital Signals for Longer Length Connections
- ✓ Triple Layer Shielding:
  - (2) 100% Aluminum Foil Mylar
  - (1) Tinned Copper Braid
- ✓ 24K Gold Plated HDMI™ (Type A to Type A) Connectors
- ✓ Resolution: 2048 x 1536
- ✓ Nylon Blue Mesh Jacket (3 ft, 6 ft, and 12 ft)
- ✓ UL Listed
- ✓ CL3 Rated (25-100 ft)
- ✓ Lifetime Performance Guarantee



### APPLICATION:

The Ultimate Performance in High Definition Home Theater for a Lifetime



PART NO.	LENGTH	AWG	O.D.	PKG.
HDMI36V1.3	3 ft	26	10 mm	Pkgd
HDMI72V1.3	6 ft	26	10 mm	Pkgd
HDMI144V1.3	12 ft	26	10 mm	Pkgd
HDMI300V1.3	25 ft	24	10.5 mm	Pkgd
HDMI420V1.3	35 ft	24	10.5 mm	Pkgd
HDMI600V1.3	50 ft	24	10.5 mm	Pkgd
HDMI900V1.3	75 ft	26	10 mm	Pkgd
HDMI1200V1.3	100 ft	26	10 mm	Pkgd

Add "X" to Part Number for Bulk

## Blue Jet® HDMI™ 1.3 Type A to Mini Type C AV Cable

- ✓ Uncompressed Digital Video and Multi-Channel Audio On One Cable
- ✓ HDMI 1.3 Compliant
- ✓ Supports High Definition Resolutions 1080p, 1080i, 720p and Standard Video Format
- ✓ Data Speed Transfer: 10.2 Gbps
- ✓ Triple Layer Shielding:
  - (2) 100% Aluminum Foil Mylar
  - (1) Tinned Copper Braid
- ✓ 24K Gold Plated HDMI™ (Type A to Type A) Connectors
- ✓ Resolution: 2048 x 1536
- ✓ UL Listed
- ✓ Lifetime Performance Guarantee



### APPLICATION:

The Ultimate Performance in High Definition Home Theater for a Lifetime. Designed for Portable Digital Devices that Require Mini HDMI (Type C) Connections



PART NO.	LENGTH	AWG	O.D.	PKG.
HDMI72AMC	6 ft	28	9 mm	Pkgd
HDMI144AMC	12 ft	28	9 mm	Pkgd

## Pro Digital HDMI™ Audio/Video Cable

### APPLICATION:

Engineered to Deliver the Best True-Life Video and Sound at a Great Price

- ✓ Uncompressed Digital Video and Multi-Channel Audio On One Cable
- ✓ HDMI 1.3 Compliant
- ✓ Supports High Definition Resolutions 1080p, 1080i, 720p and Standard Video Format
- ✓ Data Speed Transfer: 10.2 Gbps
- ✓ Gold Plated HDMI (Type A to Type A) Connectors
- ✓ UL listed and CL3 Rated



PART NO.	LENGTH	AWG	O.D.	PKG.
120336	3 ft	28	7.3 mm	Pkgd
120306	6 ft	28	7.3 mm	Pkgd
120313	12 ft	28	7.3 mm	Pkgd
120325	25 ft	26	10 mm	Pkgd
120335	35 ft	26	10 mm	Pkgd
120350	50 ft	24	10.5 mm	Pkgd

Add "X" to Part Number for Bulk

## Pro Digital HDMI™ Audio/Video Cable with Extender

### APPLICATION:

Engineered to Deliver the Best True-Life Video and Sound at a Great Price

- ✓ Uncompressed Digital Video and Multi-Channel Audio On One Cable
- ✓ Includes an Extender that Delivers Clean, Razor-Sharp Digital Signals for Longer Length Connections
- ✓ HDMI 1.3 Compliant
- ✓ Supports High Definition Resolutions 1080p, 1080i, 720p and Standard Video Format
- ✓ Data Speed Transfer: 10.2 Gbps
- ✓ Gold Plated HDMI (Type A to Type A) Connectors
- ✓ Status Indicator Light
- ✓ UL Listed and CL3 Rated



PART NO.	LENGTH	AWG	O.D.	PKG.
120375	75 ft	28	7.3 mm	Pkgd
120300	100 ft	28	7.3 mm	Pkgd

Add "X" to Part Number for Bulk

## Pro Digital HDMI™ Male to Female Cable

### APPLICATION:

Engineered to Deliver the Best True-Life Video and Sound at a Great Price

- ✓ Uncompressed Digital Video and Multi-Channel Audio On One Cable
- ✓ Use to Extend a Pre-Existing Cable
- ✓ HDMI 1.3 Compliant
- ✓ Supports High Definition Resolutions 1080p, 1080i, 720p and Standard Video Format
- ✓ Data Speed Transfer: 10.2 Gbps
- ✓ Gold Plated HDMI™ Connectors
- ✓ UL Listed and CL3 Rated



PART NO.	LENGTH	AWG	O.D.	PKG.
120501	1 ft	28	7.3 mm	Pkgd
120503	3 ft	28	7.3 mm	Pkgd
120506	6 ft	28	7.3 mm	Pkgd
120512	12 ft	28	7.3 mm	Pkgd

Add "X" to Part Number for Bulk

## Pro Digital HDMI™ Swivel Cable

### APPLICATION:

Engineered to Deliver the Best True-Life Video and Sound at a Great Price

- ✓ Uncompressed Digital Video and Multi-Channel Audio On One Cable
- ✓ Swivel 180 Degree Design is Ideal for Flat Panel HDTV's and Other Hook-Ups where Space is Limited
- ✓ Engineered to Complement Flat Screen LCDs and Plasma Displays
- ✓ HDMI 1.3 Compliant
- ✓ Supports High Definition Resolutions 1080p, 1080i, 720p and Standard Video Format
- ✓ Data Speed Transfer: 10.2 Gbps
- ✓ Gold Plated HDMI Connections
- ✓ Resolution: 2048 x 1536
- ✓ UL Listed and CL3 Rated



PART NO.	LENGTH	AWG	O.D.	PKG.
299003	3 ft	28	7.3 mm	Pkgd
299006	6 ft	28	7.3 mm	Pkgd
299012	12 ft	28	7.3 mm	Pkgd
299025	25 ft	28	7.3 mm	Pkgd

Add "X" to Part Number for Bulk

## Installer Series HDMI™ Audio/Video Cable

### APPLICATION:

Delivers Great Picture and Sound at the Most Affordable Price



- ✓ Uncompressed Digital Video and Multi-Channel Audio On One Cable
- ✓ HDMI 1.3 Compliant
- ✓ Supports High Definition Resolutions 1080p, 1080i, 720p and Standard Video Format
- ✓ Data Speed Transfer: 10.2 Gbps
- ✓ Gold Plated HDMI™ (Type A to Type A) Connectors
- ✓ Available in Bulk Polybag Packaging Only
- ✓ UL Listed and CL3 Rated

PART NO.	LENGTH	AWG	O.D.	PKG.
288003X	3 ft	28	7.3 mm	Bulk
288006X	6 ft	28	7.3 mm	Bulk
288010X	10 ft	28	7.3 mm	Bulk
288012X	12 ft	28	7.3 mm	Bulk
288015X	15 ft	28	7.3 mm	Bulk
288020X	20 ft	28	7.3 mm	Bulk
288025X	25 ft	28	7.3 mm	Bulk

**HDMI™**  
HIGH-DEFINITION MULTIMEDIA INTERFACE

**SOLD Here!**

**VANCO™**  
ADVANCING...CONNECTIVITY

HDTV HOME THEATER

1080p Full HD

*Vanco International is at the Forefront of HDMI Technology.*

Visit  
**[www.vanco1.com](http://www.vanco1.com)**  
for the Latest  
in HDMI Products and  
Industry News

## Display Port Cable

- ✓ Offers Full Digital Audio Support (Up to Eight Channels) in the Same Cable as Video
- ✓ Supports the DPCP (Display Port Content Protection) Standard in Addition to HDCP
- ✓ Works with any Display Port Enabled Desktops, Laptops, or Monitors
- ✓ Smaller Connector Footprint than either DVI or VGA
- ✓ Supports Color Depth of 6, 8, 10, 12 and 16 bits per component
- ✓ Latching Connector Provides a Secure Connection that will not Slip Out
- ✓ Connector Types - Display Port Male, 1 - Display Port Female - Latching
- ✓ Supports High Definition Resolutions 1080p, 1080i, 720p and Standard Video Format
- ✓ Supports All Computer Resolutions up to WQXGA (2560x1600)
- ✓ Lane Bandwidth: 1.62 - 2.7 Gbps
- ✓ Digital Audio: Supports All Digital Audio Formats Including Dolby® TrueHD and DTS-HD Master Audio
- ✓ 24K Gold Plated Connectors
- ✓ High-Density Triple Shielding for Maximum Rejection of EMI and RFI
- ✓ 100% Display Port Certified
- ✓ UL Listed and CL3 Rated



### APPLICATION:

Display Port Cables Feature a Secure, Latching Connector, Two-Way Display Connectivity, Optional Audio Support, Higher Performance than Dual Link DVI at 10.8 Gbps, and a Unique Micro-Packet Architecture that Enables New Display Features. Display Port Supports a Maximum of 10.8 Gbps and WQXGA (2560x1600) Resolution.

PART #	LENGTH	AWG	PKG.
121006X	6 ft	28	Bulk
121012X	12 ft	28	Bulk
121025X	25 ft	28	Bulk



*To Learn More About Display Port  
and Other  
New Technology visit:*

**[www.vanco1.com](http://www.vanco1.com)**

## Blue Jet® RGB Component Video Metal Hooded Cable

### APPLICATION:

For Connecting Component Video Technology to VCR, DVD, HDTV, TV, Satellite Receiver, High Resolution Camcorder, and Video Projectors



- ✓ Excellent Noise and RF Rejection
- ✓ Supports High Definition Resolutions 720p and Standard Video Format
- ✓ Silver Plated Copper Stranded Center Conductor: 20/0.12 mm SPC
- ✓ Braid: 64/0.12 mm OFC
- ✓ Shield: 100% Aluminum Foil Mylar
- ✓ 24K Gold Plated RCA Plug Connector
- ✓ UL Listed and CL3 Rated (25 ft. and longer)

PART NO.	LENGTH	O.D.	PKG.
HTDV372	6 ft	7 mm	Pkgd
HTDV312	12 ft	7 mm	Pkgd
HTDV325	25 ft	7 mm	Pkgd
HTDV350	50 ft	7 mm	Pkgd
HTDV375	75 ft	7 mm	Pkgd
HTDV3100	100 ft	7 mm	Pkgd

Add "X" to Part Number for Bulk

## RGB Component Video Cable

### APPLICATION:

For Connecting Component Video Technology to VCR, DVD, HDTV, TV Satellite Receiver, High Resolution Camcorder, and Video Projectors



- ✓ Color-Coded Triple RCA Male Plugs to Triple RCA Male Plugs
- ✓ 24K Gold Plated Precision Machined RCA Plugs
- ✓ 75 Ohm, Oxygen Free, Heavy Duty Shielded Cable
- ✓ Provides Low Loss Signal and Video Clarity within 100 MHz Frequency Range
- ✓ Offers Maximum Noise Reduction

PART #	LENGTH	O.D.	PKG.
DVB336	3 ft	6 mm	Pkgd
DVB372	6 ft	6 mm	Pkgd
DVB312	12 ft	6 mm	Pkgd
DVB325	25 ft	6 mm	Pkgd
DVB350	50 ft	6 mm	Pkgd

Add "X" to Part Number for Bulk

## RGB Component Video Cable with Left/Right Digital Audio

### APPLICATION:

For Connecting Component Video Technology to VCR, DVD, HDTV, TV Satellite Receiver, High Resolution Camcorder, and Video Projectors with Left/Right Analog Audio

- ✓ Color-Coded Triple RCA Male Plugs to Triple RCA Male Plugs with Left/Right Audio
- ✓ 24K Gold Plated Precision Machined RCA Plugs
- ✓ 75 Ohm, Oxygen Free, Heavy Duty Shielded Cable
- ✓ 20 AWG Center Conductor L/R Audio Cables
- ✓ Provides Low Loss Signal and Video Clarity within 100 MHz Frequency Range
- ✓ Offers Maximum Noise Reduction



PART #	LENGTH	O.D.	PKG.
DV336LR	3 ft	6 mm	Pkgd
DV372LR	6 ft	6 mm	Pkgd
DV312LR	12 ft	6 mm	Pkgd
DV325LR	25 ft	6 mm	Pkgd
DV350LR	50 ft	6 mm	Pkgd

Add "X" to Part Number for Bulk

## Blue Jet® High Resolution S-Video Metal Hooded Cable

### APPLICATION:

For Connecting VCRs, DVD, TV, Satellite Receivers, Camcorder, and Laptops



- ✓ Precise Transmission of Luminance and Chrominance Video Signals
- ✓ Carries Video Signal Over Two Separate Paths to Provide Superior, Vivid Picture
- ✓ Dual Silver Plated Copper Stranded Separate Center Conductors
- ✓ Braid: 40/0.12 mm OFC
- ✓ Shield: 100% Aluminum Foil Mylar
- ✓ UL Listed and CL3 Rated (25 ft. and longer)

PART NO.	LENGTH	O.D.	PKG.
HTSVHS3	3 ft	7 mm	Pkgd
HTSVHS6	6 ft	7 mm	Pkgd
HTSVHS12	12 ft	7 mm	Pkgd
HTSVHS25	25 ft	7 mm	Pkgd
HTSVHS50	50 ft	7 mm	Pkgd

Add "X" to Part Number for Bulk

## Blue Jet® Triple RCA Composite Audio/Video Cable



### APPLICATION:

For Connecting VCRs, DVD, and Satellite Receivers

- ✓ High Quality Transmission of Stereo Audio and Video Signals Deliver Clear Sharp Picture Image
- ✓ Oxygen Free Solid Center Conductor and Copper Braid
- ✓ 24K Gold Plated RCA Plug Connectors
- ✓ UL Listed and CL3 Rated (25 ft. and longer)

PART NO.	LENGTH	O.D.	PKG.
HTDKE3	3 ft	6 mm	Pkgd
HTDKE6	6 ft	6 mm	Pkgd
HTDKE12	12 ft	6 mm	Pkgd
HTDKE25	25 ft	6 mm	Pkgd
HTDKE50	50 ft	6 mm	Pkgd

Add "X" to Part Number for Bulk

## Blue Jet® Metal Hooded Video Cable with "F" Connectors



### APPLICATION:

For Connecting VCRs, DVD, TV, Satellite Receivers, and Cable Boxes

- ✓ Delivers High-Quality Picture and Sound with One Easy "F" Type Connection
- ✓ High Density Braid for Excellent Rejection of RF Interference
- ✓ Silver Plated Copper Solid Center Conductor: 1/0.5 mm SPC
- ✓ Braid: 64/0.12 mm OFC
- ✓ Insulation: Foam PE
- ✓ Shield: 100% Aluminum Foil Mylar
- ✓ 24K Gold Plated "F" Connector
- ✓ UL Listed and CL3 Rated (25 ft.)

PART NO.	LENGTH	O.D.	PKG.
HTFPG3	3 ft	7 mm	Pkgd
HTFPG6	6 ft	7 mm	Pkgd
HTFPG12	12 ft	7 mm	Pkgd
HTFPG25	25 ft	7 mm	Pkgd

Add "X" to Part Number for Bulk



## RG6 Quad Digital Coax Cable with Premium Gen II Compression Connectors

### APPLICATION:

For Connecting VCRs, DVD, TV, Satellite Receivers, Cable Boxes, Video Switches, Antennas, and other Video Components



- ✓ Maximum Shielding and Superior Picture and Sound
- ✓ Digital Ready, HDTV Compatible
- ✓ Premium Commercial Grade Compression Connectors for Precise and Secure Connections
- ✓ 3 GHz Bandwidth, 5-3000 MHz
- ✓ Weatherproof for Indoor and Outdoor Use
- ✓ Solid Copper Clad Steel Center Conductor
- ✓ Insulator: Foamed PE (Polyethylene)
- ✓ Braid: 60% Aluminum (.16 x 4 x 16 mm)
- ✓ UL Listed, CL2 Rated

PART NO.	LENGTH	COLOR	PKG.
200-007-06	6 ft	Black	Pkgd
200-007-06W	6 ft	White	Pkgd
200-007-12	12 ft	Black	Pkgd
200-007-12W	12 ft	White	Pkgd
200-007-25	25 ft	Black	Pkgd
200-007-25W	25 ft	White	Pkgd
200-007-50	50 ft	Black	Pkgd
200-007-50W	50 ft	White	Pkgd
200-007-100	100 ft	Black	Pkgd
200-007-100W	100 ft	White	Pkgd

## High Resolution S-VGA Cable

### APPLICATION:

Use to Connect a Computer, Digital Cable Box or Any Other Equipment that has a 15 Pin Connection to a Computer Monitor or Flat-Panel TV with a 15-Pin Connection



- ✓ For VGA/S-VGA Monitors and Video Applications with 800 x 600 Resolution
- ✓ Compatible with High Definition 720p and Standard Video Format
- ✓ HD-DB15 (15 pin) Male Connections
- ✓ UL Listed

PART NO.	LENGTH	O.D.	PKG.
VGA-VGA-6	6 ft	9 mm	Pkgd
VGA-VGA-12	12 ft	9 mm	Pkgd
VGA-VGA-25	25 ft	9 mm	Pkgd
VGA-VGA-50	50 ft	9 mm	Pkgd
VGA-VGA-75	75 ft	9 mm	Pkgd
VGA-VGA-100	100 ft	9 mm	Pkgd

Add "X" to Part Number for Bulk

## S-VGA to (5) BNC RGB Component Video Cable

### APPLICATION:

Use to Connect a Home Theater HDTV Video Converter to a Digital Satellite Receiver or Any Other Equipment with BNC Video Connections

- ✓ Component Video Plus Vertical/Horizontal Signals
- ✓ Supports (Y, Pr, Pb), (Y, Cr, Cb) RGB High Resolution Standards and S-VGA (Super Video Graphic Array) 800 x 600 Resolution
- ✓ Compatible with High Definition 720p and Standard Video Format
- ✓ Gold-Plated HD-DB15 (15 pin) Male Connector
- ✓ Gold-Plated (5) Color-Coded BNC Connectors
- ✓ UL Listed



PART NO.	LENGTH	O.D.	PKG.
VGA-5BNC-6	6 ft	11 mm	Pkgd
VGA-5BNC-12	12 ft	11 mm	Pkgd
VGA-5BNC-25	25 ft	11 mm	Pkgd

Add "X" to Part Number for Bulk

## S-VGA to (5) RGB Component Video Cable

### APPLICATION:

Use to Connect a Home Theater HDTV Video Converter to a Digital Satellite Receiver or Any Other Equipment with RGB Video Connections

- ✓ Component Video Plus Vertical/Horizontal Signals
- ✓ Supports (Y, Pr, Pb), (Y, Cr, Cb) RGB High Resolution Standards and S-VGA (Super Video Graphic Array) 800 x 600 Resolution
- ✓ Compatible with High Definition 720p and Standard Video Format
- ✓ Gold-Plated HD-DB15 (15 pin) Male Connector
- ✓ Gold-Plated (5) Color-Coded RCA Connectors
- ✓ UL Listed



PART NO.	LENGTH	O.D.	PKG.
VGA-5RCA-6	6 ft	11 mm	Pkgd
VGA-5RCA-12	12 ft	11 mm	Pkgd
VGA-5RCA-25	25 ft	11 mm	Pkgd

Add "X" to Part Number for Bulk

## S-VGA to (3) BNC RGB Component Video Cable

### APPLICATION:

Connects a Computer, Digital Cable Box, or Any Other Equipment to a Computer Monitor or Display



- ✓ Supports (Y, Pr, Pb), (Y, Cr, Cb) RGB High Resolution Standards and S-VGA (Super Video Graphic Array) 800 x 600 Resolution
- ✓ Compatible with High Definition 720p and Standard Video Format
- ✓ Gold-Plated HD-DB15 (15 pin) Male Connector
- ✓ Gold-Plated (3) Color-Coded BNC Connectors
- ✓ UL Listed

PART NO.	LENGTH	O.D.	PKG.
VGA-3BNC-6	6 ft	9 mm	Pkgd
VGA-3BNC-12	12 ft	9 mm	Pkgd
VGA-3BNC-25	25 ft	9 mm	Pkgd

Add "X" to Part Number for Bulk

## S-VGA to (3) RGB Component Video Cable

### APPLICATION:

Use to Connect TVs, HDTVs, LCD Displays, Plasma Screens or Projectors to Digital Satellite Receiver or Any Other Equipment with RGB Video Connections



- ✓ Supports (Y, Pr, Pb), (Y, Cr, Cb) RGB High Resolution Standards and S-VGA (Super Video Graphic Array) 800 x 600 Resolution
- ✓ Compatible with High Definition 720p and Standard Video Format
- ✓ Gold-Plated HD-DB15 (15 pin) Male Connector
- ✓ Gold-Plated (3) Color-Coded RCA Connectors
- ✓ UL Listed

PART NO.	LENGTH	O.D.	PKG.
VGA-3RCA-6	6 ft	9 mm	Pkgd
VGA-3RCA-12	12 ft	9 mm	Pkgd
VGA-3RCA-25	25 ft	9 mm	Pkgd

Add "X" to Part Number for Bulk

## Blue Jet® Digital RCA Audio Metal Hooded Cable

### APPLICATION:

Allows for Digital Audio Multiple Channels to be Transmitted Through One Cable

- ✓ For the Highest Quality Transmission of Digital Audio Signals
- ✓ Allows for Digital Audio Multiple Channels to be Transmitted Through One Cable
- ✓ Superior Cable Construction Maximizing Noise Rejection and Minimizing Signal Loss
- ✓ Silver Plated Copper Stranded Center Conductor: 86/0.12 mm SPC
- ✓ Braid 1: 16/9/0.12 mm OFC
- ✓ Braid 2: 16/9/0.12 mm OFC
- ✓ 24K Gold Plated RCA Plug Connector
- ✓ UL Listed and CL3 Rated (25 ft.)



PART NO.	LENGTH	O.D.	PKG.
HTRCA3	3 ft	8.5 mm	Pkgd
HTRCA6	6 ft	8.5 mm	Pkgd
HTRCA12	12 ft	8.5 mm	Pkgd
HTRCA25	25 ft	8.5 mm	Pkgd

Add "X" to Part Number for Bulk

## Blue Jet® Digital Optical Fiber Toslink™ to Toslink™ Metal Hooded Cable

### APPLICATION:

Allows for Digital Audio Multiple Channels to be Transmitted Through One Optical Cable

- ✓ High Speed, Optical Digital Toslink™ to Toslink™ Connections
- ✓ Superior Cable Construction Maximizing Noise Rejection, Minimizing Distortion, Eliminating EMI and Ensuring High Speed Transmission
- ✓ High-Grade Optical Fiber Core
- ✓ Insulation: Ultra Dark PE Inner Jacket
- ✓ UL Listed and CL3 Rated (25 ft. and longer)



PART NO.	LENGTH	O.D.	PKG.
HTADT36	3 ft	7 mm	Pkgd
HTADT72	6 ft	7 mm	Pkgd
HTADT12	12 ft	7 mm	Pkgd
HTADT25	25 ft	7 mm	Pkgd

Add "X" to Part Number for Bulk

## Blue Jet® Stereo RCA Metal Hooded Video Cable

### APPLICATION:

For Connecting Stereo Audio Inputs/Outputs for HDTV, DVD, Cable Box, Satellite Receiver, etc.



- ✓ Balance Frequency, Superior Construction Maximizing Noise Rejection and Minimizing Signal Loss
- ✓ Silver Plated Copper Center Conductor: 2/0.5 mm (Red)
- ✓ Ground: 2/0.5 mm Tinned Plated Copper (White)
- ✓ Drain: 7/0.20 mm Tinned Plated Copper
- ✓ 24K Gold Plated RCA Plug Connector
- ✓ UL Listed and CL3 Rated (25 ft.)

PART NO.	LENGTH	O.D.	PKG.
HT2RCA3	3 ft	7 mm	Pkgd
HT2RCA6	6 ft	7 mm	Pkgd
HT2RCA12	12 ft	7 mm	Pkgd
HT2RCA25	25 ft	7 mm	Pkgd

Add "X" to Part Number for Bulk

## Blue Jet® Subwoofer RCA Metal Hooded Video Cable

### APPLICATION:

For Connecting Dolby® Digital Receiver to a Pre-Amplified Subwoofer



- ✓ Specially Designed to Ensure Bass, Fullness and Stabilization
- ✓ Meets Rigorous Subwoofer Frequencies Below 80 HZ
- ✓ Center Conductor: 1/0.5 m SPC + 15/0.2 mm OFC
- ✓ Conductor #2: 1/0.5 mm SPC + 15/0.2 mm SPC
- ✓ Drain: 7/0.2 mm Tinned Plated Copper
- ✓ Braid: 16/8/0.12 mm OFC
- ✓ 24K Gold Plated RCA Plug Connector
- ✓ UL Listed and CL3 Rated (25 ft. and longer)

PART NO.	LENGTH	O.D.	PKG.
HTSWRCA6	6 ft	8 mm	Pkgd
HTSWRCA12	12 ft	8 mm	Pkgd
HTSWRCA25	25 ft	8 mm	Pkgd
HTSWRCA50	50 ft	8 mm	Pkgd

Add "X" to Part Number for Bulk

## HDMI™ Adapters

- ✓ Converts a HDMI™ Male Plug to a HDMI™ Female Jack or Vice Versa
- ✓ Repositions Cable Jack for Easy Access Where Space is Limited
- ✓ Supports High Definition Resolutions 1080p, 1080i, 720p, and Standard Video Format
- ✓ HDMI 1.3 Compliant
- ✓ Gold Plated HDMI™ Male Plug to HDMI™ Female Jack



120710



120720



120730



120740



120750



PART NO.	TYPE	PKG.
120710	Horizontal Flat Top	Pkgd
120720	Horizontal Flat Bottom	Pkgd
120730	Vertical Flat Left	Pkgd
120740	Vertical Flat Right	Pkgd
120750	180 Degree Swivel	Pkgd

Add "X" to Part Number for Bulk

## DVI to HDMI™ Video In-Line Adapter

- ✓ Connects a HDMI™ Component to a HTDV or Other Equipment with DVI Connections
- ✓ Supports High Definition Resolutions 1080p, 1080i, 720p, and Standard Video Format
- ✓ Provides Maximum Noise Rejection and Ensures Exceptional Video Quality
- ✓ DVI Female Jack (24 Pin) to HDMI Male Plug
- ✓ Gold Plated Connections for Optimal Signal Transfer
- ✓ Conductor: Oxygen Free Copper



PART NO.	PKG.
120235	Pkgd
120235X	Bulk

## HDMI™ Jack to DVI Male Plug Video In-Line Adapter

- ✓ Connects a HDMI Component to a HDTV or Other Equipment with DVI Connections
- ✓ Supports High Definition Resolutions 1080p, 1080i, 720p and Standard Video Format
- ✓ Provides Maximum Noise Rejection and Ensures Exceptional Video Quality
- ✓ HDMI Female Jack to DVI Male Plug (24 Pin)
- ✓ Gold Plated Connections for Optimal Signal Transfer
- ✓ Conductor: Oxygen Free Copper



PART NO.	PKG.
120238	Pkgd
120238X	Bulk

## HDMI™ Female to DVI Female Jack Video In-Line Adapter

- ✓ Connects a HDMI Component to a HDTV or Other Equipment with DVI Connections
- ✓ Supports High Definition Resolutions 1080p, 1080i, 720p and Standard Video Format
- ✓ Provides Maximum Noise Rejection and Ensures Exceptional Video Quality
- ✓ HDMI Female Jack to DVI Female Jack (24 Pin)
- ✓ Gold Plated Connections for Optimal Signal Transfer
- ✓ Conductor: Oxygen Free Copper



PART NO.	PKG.
120239	Pkgd
120239X	Bulk

## Slim Line HDMI™ Decor Wall Plate with Extender

- ✓ Allows a Quick and Easy HDMI™ Wall Plate Connection
- ✓ Built-in Extender regenerates the HDMI™ Digital Audio and Video Signals to Maintain the Superior Digital Signals for Longer Length Connections
- ✓ Supports High Definition Resolutions 1080p, 1080i, 720p, and Standard Video Format
- ✓ HDMI 1.3 Compliant
- ✓ H.D.C.P. (High-Bandwidth Digital Content Protection) Compliant
- ✓ Fits on a Single Gang J-box or Low Voltage Mounting Bracket
- ✓ Includes a Trim Plate and Color Matching Mounting Screws
- ✓ Gold Plated HDMI™ Female Jack (19 Pin) to HDMI™ Female Jack (19 Pin)



PART NO.	COLOR	PKG.
120910	White	Pkgd
120910X	White	Bulk

## Slim Line HDMI™ Decor Wall Plates

- ✓ Allows a Quick and Easy HDMI™ Wall Plate Connection
- ✓ Supports High Definition Resolutions 1080p, 1080i, 720p and Standard Video Format
- ✓ HDMI 1.3 Compliant
- ✓ Fits on a Single Gang J-Box or Low Voltage Mounting Bracket
- ✓ Includes a Trim Plate and Color Matching Mounting Screws
- ✓ Gold Plated HDMI Female Jack (19 Pin) to HDMI Female Jack (19 Pin)



120900



120902

PART NO.	TYPE	COLOR	PKG.
120900	Single	White	Pkgd
120902	Dual	White	Pkgd

Add "X" to Part Number for Bulk



## HDMI™ Wall Plate With Component Video Cable

### APPLICATION:

Allows you to Connect an HDMI™ Cable, RGB Component Video Cable, and an Analog Stereo Cable all on One Wall Plate



- ✓ Allows a Quick and Easy HDMI™ Wall Plate Connection
- ✓ Supports High Definition Resolutions 1080p, 1080i, 720p and Standard Video Format
- ✓ Fits on a Single Gang J-Box or Low Voltage Mounting Bracket
- ✓ HDMI 1.3 Compliant
- ✓ Includes a Trim Plate and Color Matching Mounting Screws
- ✓ Gold Plated HDMI Female Jack (19 Pin) to HDMI Female Jack (19 Pin)
- ✓ Gold Plated (5) RCA Jacks: Video (Red, Green, Blue); Audio (White, Red)

PART NO.	COLOR	PKG.
120920	White	Pkgd
120920X	White	Bulk

## RGB Component Video with Audio Wall Plate

- ✓ Use with RGB Component Video Cables and Red/White Audio Cables
- ✓ Gold Plated (5) RCA Jacks: Video (Red, Green, Blue); Audio (White, Red)
- ✓ Mounts to Standard Electrical Box
- ✓ Color Matching Mounting Screws Included

PART NO.	COLOR	PKG.
120905	White	Pkgd
120905X	White	Bulk



## RGB Component Video Triple RCA Jacks Decor Wall Plate

- ✓ Use with RGB Component Video Cables
- ✓ Gold Plated (3) Color-Coded RCA Jacks (Red/ Green/Blue)
- ✓ Solderless Type
- ✓ Fits on a Single Gang J-Box or Low Voltage Mounting Bracket
- ✓ Easy Installation
- ✓ Color Matching Mounting Screws Included



PART NO.	COLOR	PKG.
28106RGBI	Ivory	Pkgd
28106RGBW	White	Pkgd

Add "X" to Part Number for Bulk

*Vanco International has got you covered with the products you need to achieve a clean, professional finish every time!*

**We've Got You Covered!**

Unique...  
Simple...  
Convenient!

Patent Pending

**VANCO**  
ADVANCING...CONNECTIVITY

## Slim Line VGA Wall Plates

- ✓ Allows a Quick and Easy VGA Wall Plate Connection
- ✓ Supports Computer Resolutions S-VGA (800x600) and VGA (640x480)
- ✓ For VGA/S-VGA Monitors and Video Application with 800 x 600 Resolution
- ✓ Ideal for Wall Mounted Flat Panel TVs and LCD/Plasma HDTVs
- ✓ Fits on a Single Gang J-Box or Low Voltage Mounting Bracket
- ✓ Includes a Trim Plate and Color Matching Mounting Screws
- ✓ Gold Plated VGA HD-DB15 Female Jack to VGA HD-DB15 Female Jack



PART NO.	TYPE	COLOR	PKG.
281201	Single	White	Pkgd
281202	Dual	White	Pkgd

Add "X" to Part Number for Bulk

## VGA and Dual RCA Jacks Decor Wall Plate

- ✓ Allows a Quick and Easy VGA and Dual RCA Audio Wall Plate Connection
- ✓ Supports Computer Resolutions S-VGA (800x600) and VGA (640x480)
- ✓ For VGA/S-VGA Monitors and Video Application with 800 x 600 Resolution
- ✓ Ideal for Wall Mounted Flat Panel TVs and LCD/Plasma HDTVs
- ✓ Fits on a Single Gang J-Box or Low Voltage Mounting Bracket
- ✓ Includes a Trim Plate and Color Matching Mounting Screws
- ✓ Gold Plated VGA HD-DB15 Female Jack
- ✓ Gold Plated Color-Coded (Red/White) Dual RCA Jacks (Left and Right Stereo)



PART NO.	COLOR	PKG.
281206	White	Pkgd
281206X	White	Bulk

## VGA and 3.5 mm Stereo Jack Decor Wall Plate

- ✓ Allows a Quick and Easy VGA and 3.5 mm Stereo Jack Wall Plate Connection
- ✓ Supports Computer Resolutions S-VGA (800x600) and VGA (640x480)
- ✓ For VGA/S-VGA Monitors and Video Application with 800 x 600 Resolution
- ✓ Ideal for Wall Mounted Flat Panel TVs and LCD/Plasma HDTVs
- ✓ Fits on a Single Gang J-Box or Low Voltage Mounting Bracket
- ✓ Includes a Trim Plate and Color Matching Mounting Screws
- ✓ Gold Plated VGA HD-DB15 Female Jack
- ✓ Gold Plated 3.5 mm Stereo Jack



PART NO.	COLOR	PKG.
281212	White	Pkgd
281212X	White	Bulk

## Whole House Audio and 7.2 Home Theater Wall Plate

- ✓ Allows the Connections of Whole House Audio and Home Theater Cables into One Convenient Wall Location
- ✓ For Multiple Audio and Video Cable Professional Installations
- ✓ Whole House Audio - Provides an Open Port (3/4" x 1-9/16") for Bulk Wire and Direct Connections to the System's A/V Components
- ✓ 7.2 Home Theater - Designed for Home Theater Systems that Consist of (7) Audio Speakers and (2) Subwoofers
- ✓ Fits on a Four Gang J-box or Low Voltage Mounting Bracket
- ✓ 7/16" Hex Nuts accepts Banana Plugs or Stripped Wire Creating Precise and Secure Installation
- ✓ Accepts up to 12 AWG Wire
- ✓ Gold Plated Binding Post and RCA Jacks for Excellent Sound Performance
- ✓ Compatible with Dolby® Digital Sound Systems



PART NO.	COLOR	PKG.
HTWP72BW	White	Pkgd

**PATENT NO:**  
**US D578,081 S**

## Whole House Audio Wide Port and 6.2 Home Theater Wall Plate

- ✓ Allows the Connections of Whole House Audio and Home Theater Cables into One Convenient Wall Location
- ✓ For Multiple Audio and Video Cable Professional Installations
- ✓ Whole House Audio - Provides an Open Port (3/4" x 2-1/2") for Bulk Wire and Direct Connections to the System's A/V Components
- ✓ 6.2 Home Theater - Designed for Home Theater Systems that Consist of (6) Audio Speakers and (2) Subwoofers
- ✓ Fits on a Four Gang J-box or Low Voltage Mounting Bracket
- ✓ 7/16" Hex Nuts accepts Banana Plugs or Stripped Wire Creating Precise and Secure Installation
- ✓ Accepts up to 12 AWG Wire
- ✓ Gold Plated Binding Post and RCA Jacks for Excellent Sound Performance
- ✓ Compatible with Dolby® Digital Sound Systems



PART NO.	COLOR	PKG.
HTWP64BW	White	Pkgd

**PATENT NO:**  
**US D579,882 S**

## Whole House Audio and 6.2 Home Theater Wall Plate

- ✓ Allows the Connections of Whole House Audio and Home Theater Cables into One Convenient Wall Location
- ✓ For Multiple Audio and Video Cable Professional Installations
- ✓ Whole House Audio - Provides an Open Port (3/4" x 1-9/16") for Bulk Wire and Direct Connections to the System's A/V Components
- ✓ 6.2 Home Theater - Designed for Home Theater Systems that Consist of (6) Audio Speakers and (2) Subwoofers
- ✓ Fits on a Triple Gang J-box or Low Voltage Mounting Bracket
- ✓ 7/16" Hex Nuts accepts Banana Plugs or Stripped Wire Creating Precise and Secure Installation
- ✓ Accepts up to 12 AWG Wire
- ✓ Gold Plated Binding Post and RCA Jacks for Excellent Sound Performance
- ✓ Compatible with Dolby® Digital Sound Systems



PART NO.	COLOR	PKG.
HTWP62BW	White	Pkgd

**PATENT NO:**  
**US D578,081 S**

## 7.2 Home Theater Connection Wall Plate

- ✓ Use with Speaker Wire to Connect Audio Speakers and Subwoofers to a Receiver/Amplifier for Home Theater Surround Sound
- ✓ Designed for Home Theater Systems that Consists of (7) Audio Speakers and (2) Subwoofers
- ✓ Accepts Up to 12 AWG Speaker Wire
- ✓ Fits on a Triple Gang J-Box or Low Voltage Mounting Bracket
- ✓ Gold Plated (14) Gold Binding Posts and (2) RCA to F Jacks
- ✓ Solderless Type



PART NO.	COLOR	PKG.
HTWP72	White	Pkgd
HTWP72X	White	Bulk

## 6.2 Home Theater Connection Wall Plate

- ✓ Use with Speaker Wire to Connect Audio Speakers and Subwoofers to a Receiver/Amplifier for Home Theater Surround Sound
- ✓ Designed for Home Theater Systems that Consists of (6) Audio Speakers and (2) Subwoofers
- ✓ Accepts Up to 12 AWG Speaker Wire
- ✓ Designed to Fit on a Dual Gang J-Box or Low Voltage Mounting Bracket
- ✓ Gold Plated (12) Binding Posts and (2) RCA to F Jacks
- ✓ Solderless Type



PART NO.	COLOR	PKG.
HTWP62	White	Pkgd
HTWP62X	White	Bulk

## 5.2 Home Theater Connection Wall Plate

- ✓ Use with Speaker Wire to Connect Audio Speakers and Subwoofer to a Receiver/Amplifier for Home Theater Surround Sound
- ✓ Allows for 5 Surround Sound Speakers and 2 Subwoofers to be Connected on a Dual "J" Box
- ✓ Accepts Up to 14 AWG Speaker Wire
- ✓ Designed to Fit on a Dual Gang J-Box or Low Voltage Mounting Bracket
- ✓ Gold Plated (10) Binding Posts and (2) RCA to F Jacks
- ✓ Solderless Type



PART NO.	COLOR	PKG.
45-0060	White	Pkgd
45-0060X	White	Bulk

## Spring Loaded Binding Post Decor Wall Plates

- ✓ Allows for One, Two, or Four Speakers to be Connected on a Single "J" Box
- ✓ Spring Loaded Design allows for Fast and Secure Connections
- ✓ Designed for Home Theater Surround Sound
- ✓ Solderless Type
- ✓ Easy Installation
- ✓ Fits on a Single Gang J-Box or Low Voltage Mounting Bracket
- ✓ Accepts up to 12 AWG Speaker Wire
- ✓ Color Matching Mounting Screws Included

PART NO.	TYPE	COLOR	PKG.
28152W	2 Gold Binding Posts	White	Pkgd
28154W	4 Gold Binding Posts	White	Pkgd
28158W	8 Gold Binding Posts	White	Pkgd

Add "X" to Part Number for Bulk



## Binding Post Decor Wall Plates

- ✓ Allows for One, Two, or Four Speakers to be Connected on a Single "J" Box
- ✓ Designed for Home Theater Surround Sound
- ✓ Solderless Type
- ✓ Fits on a Single Gang J-Box or Low Voltage Mounting Bracket
- ✓ Accepts up to 12 AWG Speaker Wire
- ✓ Easy Installation
- ✓ Color Matching Mounting Screws Included

PART NO.	TYPE	COLOR	PKG.
28146I	2 Gold Binding Posts	Ivory	Pkgd
28146W	2 Gold Binding Posts	White	Pkgd
28147I	4 Gold Binding Posts	Ivory	Pkgd
28147W	4 Gold Binding Posts	White	Pkgd
28148I	8 Gold Binding Posts	Ivory	Pkgd
28148W	8 Gold Binding Posts	White	Pkgd

Add "X" to Part Number for Bulk



## Blank Wall Plates

- ✓ Use to Cover Up and Protect Holes in a Wall
- ✓ Made of High Impact Resistant Thermoplastic
- ✓ Color Matching Screws Included
- ✓ UL Listed



PART NO.	TYPE	COLOR	PKG.
820540X	Single	White	Bulk
820542X	Dual	White	Bulk
820543X	Single	Stainless Steel	Bulk



## Decor Style Face Plates

- ✓ For Professional Installation
- ✓ Color Matching Mounting Screws Included
- ✓ Printed Polybag Packaging

PART NO.	TYPE	COLOR	PKG.
820501	Single	Ivory	Pkgd
820511	Single	White	Pkgd
820502	Dual	Ivory	Pkgd
820512	Dual	White	Pkgd
820503	Triple	Ivory	Pkgd
820513	Triple	White	Pkgd

Add "X" to Part Number for Bulk

PART NO.	TYPE	COLOR	PKG.
820523X	Eight Gang	Almond	Bulk
820521X	Eight Gang	Ivory	Bulk
820518X	Eight Gang	White	Bulk





## Decor Style Wall Plate Inserts

✓ All Part Numbers Include a Pack of 3

PART NO.	HOLES	COLOR	PKG.
280311	1	Ivory	Pkgd
280301	1	White	Pkgd
280312	2	Ivory	Pkgd
280302	2	White	Pkgd
280313	3	Ivory	Pkgd
280303	3	White	Pkgd
280314	4	Ivory	Pkgd
280304	4	White	Pkgd
280316	6	Ivory	Pkgd
280306	6	White	Pkgd
280318	8	Ivory	Pkgd
280308	8	White	Pkgd
280310	Blank	Ivory	Pkgd
280300	Blank	White	Pkgd



Add "X" to Part Number for Bulk

## Gold Plated Premium RCA Plugs

PART NO.	COLOR	PKG.
280051	1 Pair (Platinum Red, White)	Bulk
280051RDX	Red	Bulk
280051WHX	White	Bulk
280067	1 Pair (Red)	Pkgd
280067RDX	Red	Bulk
280068	1 Pair (White)	Pkgd
280068WHX	White	Bulk
280069	1 Pair (Yellow)	Pkgd
280069YLX	Yellow	Bulk



## Gold Plated RCA Jack to RCA Jack Bulkhead Connectors

- ✓ Compatible with Decor Style Wall Plate Inserts with 7/16" Hex Hole (page 39)

PART NO.	COLOR	PKG.
280043BKX	Black	Bulk
280045BUX	Blue	Bulk
280045GNX	Green	Bulk
280044ORX	Orange	Bulk
280046RDX	Red	Bulk
280043VLX	Violet	Bulk
280046WHX	White	Bulk
280049YLX	Yellow	Bulk



## Gold Plated RCA Jack to F Female Bulkhead Connectors

- ✓ Compatible with Decor Style Wall Plate Inserts with 7/16" Hex Hole (page 39)

PART NO.	COLOR	PKG.
280036BKX	Black	Pkgd
280036BUX	Blue	Bulk
280036GNX	Green	Bulk
280036ORX	Orange	Bulk
280036RDX	Red	Bulk
280036VLX	Violet	Bulk
280036WHX	White	Bulk
280036YLX	Yellow	Bulk



## Gold Plated Banana Plugs

PART NO.	COLOR	PKG.
280039	1 Pair (Red, Black)	Pkgd
280039BKX	Black	Bulk
280039RDX	Red	Bulk
280040	1 Pair (Red, Black)	Pkgd
280040BKX	Black	Bulk
280040RDX	Red	Bulk
FR0503R	1 Pair (Red, Black)	Pkgd
FR0503RX	1 Pair (Red, Black)	Bulk



## Gold Plated Bulkhead Binding Posts

PART NO.	TYPE	COLOR	PKG.
280034	Feed Through	1 Pair (Red, Black)	Pkgd
280034BKX	Feed Through	Black	Bulk
280034RDX	Feed Through	Red	Bulk
280035	Binding Post to Solder Post	1 Pair (Red, Black)	Pkgd
280035BKX	Binding Post to Solder Post	Black	Bulk
280035RDX	Binding Post to Solder Post	Red	Bulk



## Hinged Bulk Cable Wall Plate

- ✓ Allows for Installation after all Cables and Electronic Hardware are terminated, without disconnecting.
- ✓ Allows for Multiple Bulk Cables, HDMI™, DVI and VGA, to be Organized for Professional Installations
- ✓ Designed for Home Theater Surround Sound
- ✓ Designed to Fit Single or Dual Gang J-Box or Low Voltage Mounting Bracket
- ✓ Hole Diameter Approximately:  
Single: 3/4" x 1-1/2"  
Dual: 3/4" x 3"



PART NO.	TYPE	COLOR	PKG.
120615	Single	Almond	Pkgd
120618	Single	Black	Pkgd
120616	Single	Ivory	Pkgd
120617	Single	White	Pkgd
120625	Dual	Almond	Pkgd
120628	Dual	Black	Pkgd
120626	Dual	Ivory	Pkgd
120627	Dual	White	Pkgd

Add "X" to Part Number for Bulk

## Custom Two-Piece Bulk Cable Wall Plates

- ✓ Unique Wall Plate Design Provides for Easier Installation
- ✓ Removable Design to Accommodate Areas where Space is Limited
- ✓ Accommodates HDMI™, DVI and VGA Cables
- ✓ Designed to Fit Single or Dual Gang J-Box or Low Voltage Mounting Bracket
- ✓ Hole Diameter Approximately:  
Single: 1-1/2" x 1-1/4"  
Dual: 1-1/2" x 3"

PART NO.	TYPE	COLOR	PKG.
120611	Single	Almond	Pkgd
120612	Single	Black	Pkgd
120613	Single	Ivory	Pkgd
120614	Single	White	Pkgd
120621	Dual	Almond	Pkgd
120622	Dual	Black	Pkgd
120623	Dual	Ivory	Pkgd
120624	Dual	White	Pkgd

Add "X" to Part Number for Bulk



## Flat Panel TV Bulk Cable Wall Plates

- ✓ Slim, Compact Housing Allows for Multiple Bulk Cables to be Organized Between Wall and Flat Panel TV for Professional Installations
- ✓ Accommodates HDMI™, DVI and VGA Cables
- ✓ Designed to Fit Single or Dual Gang J-Box or Low Voltage Mounting Bracket
- ✓ Hole Diameter Approximately:  
Single: 3/4" x 1-5/8"  
Dual: 3/4" x 2-3/4"
- ✓ Designed to fit Conveniently Behind Most Wall Mount, Flat Panel TVs



**PATENT NO:**  
**US D540,656 S**

**PATENT NO:**  
**US D577,987 S**

PART NO.	TYPE	COLOR	PKG.
VANWPBWA	Single	Almond	Pkgd
VANWPBWB	Single	Black	Pkgd
VANWPBWI	Single	Ivory	Pkgd
VANWPBWW	Single	White	Pkgd
VANWPBW2A	Dual	Almond	Pkgd
VANWPBW2B	Dual	Black	Pkgd
VANWPBW2I	Dual	Ivory	Pkgd
VANWPBW2W	Dual	White	Pkgd

Add "X" to Part Number for Bulk

## Bulk Cable Wall Plates

- ✓ Allows for Multiple Bulk Cables to be Organized for Professional Installations
- ✓ Designed for Home Theater Surround Sound
- ✓ Designed to Fit Single or Dual Gang J-Box or Low Voltage Mounting Bracket
- ✓ Hole Diameter Approximately:  
Single: 1-1/4" x 1"  
Dual: 1-1/4" x 2-1/2"

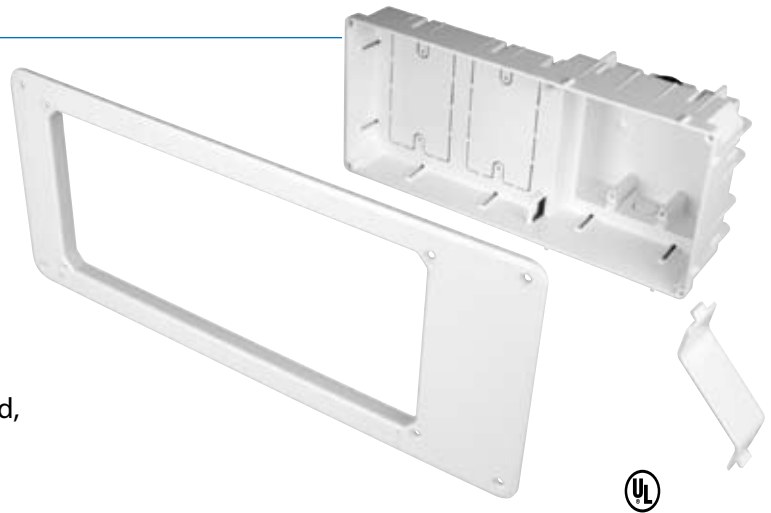


PART NO.	TYPE	COLOR	PKG.
WPBWA	Single	Almond	Pkgd
WPBWB	Single	Black	Pkgd
WPBWI	Single	Ivory	Pkgd
WPBWW	Single	White	Pkgd
WPBWDI	Single Decor	Ivory	Pkgd
WPBWDW	Single Decor	White	Pkgd
WPBW2A	Dual	Almond	Pkgd
WPBW2B	Dual	Black	Pkgd
WPBW2I	Dual	Ivory	Pkgd
WPBW2W	Dual	White	Pkgd

Add "X" to Part Number for Bulk

## LCD/Plasma TV Box™ Box

- ✓ Recessed Box that Allows LCD/Plasma TVs or Furniture to go Flush Against the Wall
- ✓ Plugs Stay Inside the Box – Does not Extend Past the Wall
- ✓ Allows Two (2) Duplex Receptacles (or Use the Voltage Separator for One Duplex Power and One Low Voltage Outlet)
- ✓ Two (2) Built-In Mounts for Low Voltage Use Such as Speakers, Satellite, TV, Surround Sound, or Datacom Connections.
- ✓ Can be Used for Retrofit or New Construction
- ✓ Ideal for Installing Cable, Category Networking Cable, Home Theater, Audio, Security, and Telephone
- ✓ Smooth PVC Construction Protects Cables from Damage
- ✓ 13" Wide Box Mounts Between 16" O.C. Studs for a Secure Horizontal or Vertical Installation
- ✓ Includes a Textured, Paintable Face Plate that Covers the Edges of the Cut Drywall
- ✓ UL and CSA Listed



### APPLICATION:

Organizes Power Outlets and Audio/Video/ Data Connections for Easy Installation

PART NO.	TYPE	PKG.
TVB613	4 Gang	Pkgd

## Recessed Dual Gang indoor InBox™ for Plasma and LCD TVs

- ✓ Recessed non-metallic box allows items, such as furniture, to be placed closer to the wall
- ✓ Ideal for new or retrofit construction to, flush mount a flat panel TV
- ✓ Plugs don't extend past the wall like a regular box
- ✓ Trim plate is textured/paintable
- ✓ Non-conductive plastic to protect cable from damage
- ✓ For power or low voltage applications
- ✓ UL and CSA Listed



### APPLICATION:

To install power and phone/cable outlets together in one location.

PART NO.	TYPE	PKG.
TVB2GW	Dual Gang	Pkgd

## Power and Low Voltage Combo Box

- ✓ Use on wood or metal stud
- ✓ Ideal for new construction
- ✓ Adjusts to fit 1/4" to 1-1/2" wall thicknesses
- ✓ Non-conductive plastic to protect cable from damage
- ✓ Includes combo 1/2" and 3/4" KOs for raceway on low voltage side
- ✓ 2-Hour Fire Rating
- ✓ UL and CSA Listed



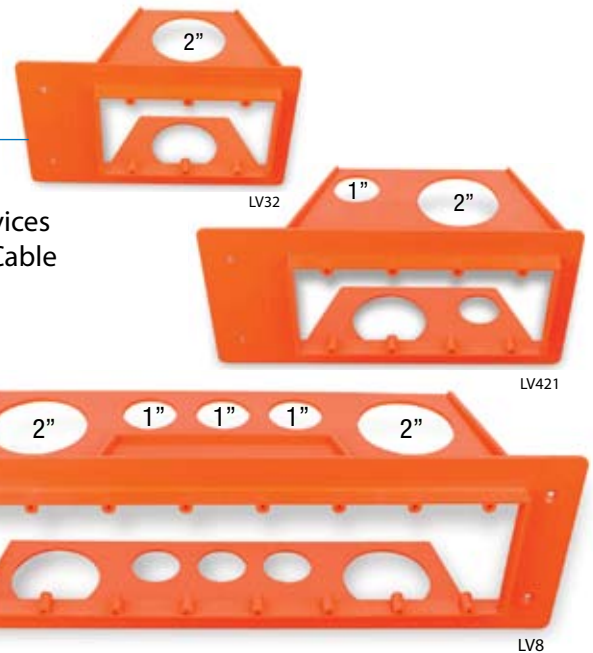
PART NO.	TYPE	PKG.
LVDR2	Dual Gang	Pkgd

## Box Buddy Low Voltage Mounting Brackets

### APPLICATION:

Use for Mounting a Wide Variety of Low Voltage Mounting Devices Associated with Home Theater, Computer Wiring, Telephone, Cable and Satellite TV hookups.

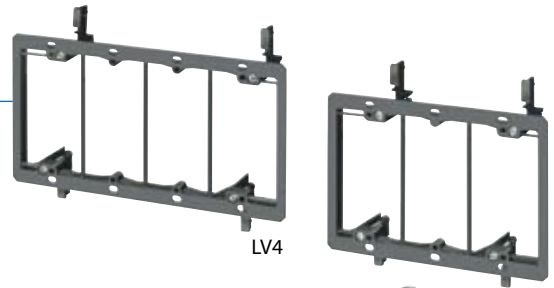
- ✓ Use to Install Low Voltage Devices
- ✓ Conduit Flanges Off-Set by 5/8" which Enable Unobtrusive Use of Conduit Connectors
- ✓ Used for New Construction
- ✓ For Use in Home Theater, Computer Wiring, Telephone, Cable and Satellite TV hookups
- ✓ Ideal for Installing Coax Cable, Category Networking Cable, Home Theater Audio Cable, Security Cable, and Telephone Wire
- ✓ Smooth PVC Construction Protects Cables from Damage
- ✓ Ideal to Use with the Vanco Whole House Audio Wall Plates, Home Theater Wall Plates, and Decor Style Wall Plates
- ✓ UL and CSA Listed



PART NO.	TYPE	CONDUIT OPENING	PKG.
LV32	Triple	2 in	Pkgd
LV421	Four	1 and 2 in	Pkgd
LV8	Eight	1 and 2 in	Pkgd

## PVC Low Voltage Mounting Brackets

- ✓ Use to Retrofit Telephone, Coax, or Network Installation Where an Electrical Box is Not Present
- ✓ Seats Wall Plates Flush with Mounting Surface
- ✓ Adjusts to Fit 1/4" to 1" Thick Wallboard, Paneling, or Drywall.
- ✓ UL and CSA Listed



LV4

LV3



LV2

LV1

PART NO.	TYPE	PKG.
LV1PK	Single	Pkgd
LV1	Single	Pkgd
LV2PK	Dual	Pkgd
LV2	Dual	Pkgd
LV3	Triple	Pkgd
LV4	Four	Pkgd



## Nail-On/Screw-On Low Voltage Mounting Brackets

- ✓ Designed to Install Low Voltage Class 2 Only
- ✓ Built-In Loop to Tie Off Cable
- ✓ UL and CSA Listed

PART NO.	TYPE	PKG.
LVN1	Nail-On	Pkgd
LVN2	Nail-On	Pkgd
LVS1	Screw-On	Pkgd
LVS2	Screw-On	Pkgd



Nail-On

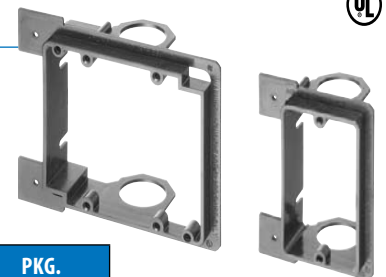
Screw-On



## Low Voltage Mounting Brackets for New Construction

- ✓ Install Wire Without Needing an Electrical Box
- ✓ Allows the Use of 3/4" EMT
- ✓ Works with 1/2" or 5/8" Drywall
- ✓ Designed to Install Low Voltage Class 2 Only
- ✓ UL and CSA Listed

PART NO.	TYPE	PKG.
LVMB1	Single	Pkgd
LVMB2	Dual	Pkgd



## Low Voltage Metal Mounting Brackets

- ✓ Economy Mounting Bracket
- ✓ For Use with Audio, Video, Telephone, Home Theater and Datacom Devices
- ✓ UL and CSA Listed

PART NO.	TYPE	PKG.
LV3P	Single	3 Pk
LV3P-10	Single	10 Pk
LV3X	Single	Bulk





## Category 6 Keystone Jacks

- ✓ Compatible with Leviton, ICC, Allen Tel and Many Others
- ✓ RJ45, 90 Degree, 110 Style IDC Punch Down
- ✓ Accepts 23-24 AWG Solid Cable
- ✓ Accepts T568A or T568B Standard Wiring
- ✓ 50 Microns Gold Plating
- ✓ Meets EIA/TIA 568B.2
- ✓ Includes Dust Cover
- ✓ UL Listed



PART NO.	COLOR	TYPE	PKG.
820425	Blue	8-Conductor	Pkgd
820427	Ivory	8-Conductor	Pkgd
820426	White	8-Conductor	Pkgd

## Category 5e 90 Degree Keystone Jacks

- ✓ Compatible with Leviton, ICC, Allen Tel and Many Others
- ✓ RJ45, 90 Degree, 110 Style IDC Punch Down
- ✓ Accepts 23-24 AWG Solid Cable
- ✓ Accepts T568A or T568B Standard Wiring
- ✓ 50 Microns Gold Plating
- ✓ Meets EIA/TIA 568B.2
- ✓ Includes Dust Cover
- ✓ UL Listed



PART NO.	COLOR	TYPE	PKG.
824012	Almond	8-Conductor	Pkgd
820455	Black	8-Conductor	Pkgd
820556	Blue	8-Conductor	Pkgd
820555	Green	8-Conductor	Pkgd
820424	Ivory	8-Conductor	Pkgd
820553	Orange	8-Conductor	Pkgd
820454	Red	8-Conductor	Pkgd
820423	White	8-Conductor	Pkgd
820554	Yellow	8-Conductor	Pkgd

## Category 3 Voice Grade 90 Degree Keystone Jacks

- ✓ Compatible with Leviton, ICC, Allen Tel and Many Others
- ✓ RJ25, 90 Degree, 110 Style IDC Punch Down
- ✓ Accepts 23-24 AWG Solid Cable
- ✓ Accepts T568A or T568B Standard Wiring
- ✓ 15 Microns Gold Plating
- ✓ Meets EIA/TIA 568B.2
- ✓ Includes Dust Cover
- ✓ UL Listed



PART NO.	COLOR	TYPE	PKG.
824053	Almond	6-Conductor	Pkgd
820422	Black	6-Conductor	Pkgd
820421	Ivory	6-Conductor	Pkgd
820420	White	6-Conductor	Pkgd

## HDMI™ Keystone Insert with Pigtail

- ✓ HDMI Keystone / Quick Port Insert
- ✓ HDMI Pigtail Enables Easier Installation in Tighter Spaces
- ✓ Compatible with Leviton, ICC, Allen Tel and Many Others
- ✓ 3.5" Free Cable Length
- ✓ Either end can snap into Keystone/Quick Port Plates



PART NO.	INSERT COLOR	TYPE	PKG.
820490	White	HDMI F to HDMI F with 6" Pigtail Connector	Pkgd

## HDMI™ Keystone Insert

- ✓ Compatible with Leviton, ICC, Allen Tel and Many Others

PART NO.	INSERT COLOR	TYPE	PKG.
820491	White	HDMI F to HDMI F Jack	Pkgd



## 3.5mm Keystone Inserts

- ✓ Compatible with Leviton, ICC, Allen Tel and Many Others

PART NO.	INSERT COLOR	TYPE	PKG.
824105	Almond	3.5mm Jack to 3.5mm Jack, Gold	Pkgd
820486	Ivory	3.5mm Jack to 3.5mm Jack, Gold	Pkgd
820489	White	3.5mm Jack to 3.5mm Jack, Gold	Pkgd



## F81 Keystone Inserts

- ✓ Compatible with Leviton, ICC, Allen Tel and Many Others

PART NO.	INSERT COLOR	TYPE	PKG.
824079	Almond	F81 Type, Gold	Pkgd
820472	Ivory	F81 Type, Gold	Pkgd
820428	White	F81 Type, Gold	Pkgd
820482	Ivory	F81 Type, 1 GHz, Nickel	Pkgd
820483	White	F81 Type, 1 GHz, Nickel	Pkgd
820701	Ivory	F81 Type, 3 GHz, Nickel	Pkgd
820628	White	F81 Type, 3 GHz, Nickel	Pkgd



## RCA Keystone Inserts

✓ Compatible with Leviton, ICC, Allen Tel and Many Others

PART NO.	INSERT COLOR	INSULATOR COLOR	TYPE	PKG.
824137	Almond	Red	RCA Jack to RCA Jack, Gold	Pkgd
824138	Almond	White	RCA Jack to RCA Jack, Gold	Pkgd
820622	Ivory	Black	RCA Jack to RCA Jack, Gold	Pkgd
820626	Ivory	Blue	RCA Jack to RCA Jack, Gold	Pkgd
820625	Ivory	Green	RCA Jack to RCA Jack, Gold	Pkgd
820623	Ivory	Orange	RCA Jack to RCA Jack, Gold	Pkgd
820624	Ivory	Red	RCA Jack to RCA Jack, Gold	Pkgd
820621	Ivory	Violet	RCA Jack to RCA Jack, Gold	Pkgd
820474	Ivory	White	RCA Jack to RCA Jack, Gold	Pkgd
820627	Ivory	Yellow	RCA Jack to RCA Jack, Gold	Pkgd
820612	White	Black	RCA Jack to RCA Jack, Gold	Pkgd
820616	White	Blue	RCA Jack to RCA Jack, Gold	Pkgd
820615	White	Green	RCA Jack to RCA Jack, Gold	Pkgd
820613	White	Orange	RCA Jack to RCA Jack, Gold	Pkgd
820614	White	Red	RCA Jack to RCA Jack, Gold	Pkgd
820611	White	Violet	RCA Jack to RCA Jack, Gold	Pkgd
820429	White	White	RCA Jack to RCA Jack, Gold	Pkgd
820617	White	Yellow	RCA Jack to RCA Jack, Gold	Pkgd



Check Out Innovative New Products, How-to Connection Guides, Detailed Product Manuals, and Demo Videos at:

**[www.vanco1.com](http://www.vanco1.com)**

## RCA Jack to F Female Keystone Inserts

✓ Compatible with Leviton, ICC, Allen Tel and Many Others

PART NO.	INSERT COLOR	INSULATOR COLOR	TYPE	PKG.
820620	Ivory	Black	RCA Jack to F Female Jack, Gold	Pkgd
820646	Ivory	Blue	RCA Jack to F Female Jack, Gold	Pkgd
820645	Ivory	Green	RCA Jack to F Female Jack, Gold	Pkgd
820643	Ivory	Orange	RCA Jack to F Female Jack, Gold	Pkgd
820629	Ivory	Red	RCA Jack to F Female Jack, Gold	Pkgd
820641	Ivory	Violet	RCA Jack to F Female Jack, Gold	Pkgd
820642	Ivory	White	RCA Jack to F Female Jack, Gold	Pkgd
820647	Ivory	Yellow	RCA Jack to F Female Jack, Gold	Pkgd
820632	White	Black	RCA Jack to F Female Jack, Gold	Pkgd
820636	White	Blue	RCA Jack to F Female Jack, Gold	Pkgd
820635	White	Green	RCA Jack to F Female Jack, Gold	Pkgd
820633	White	Orange	RCA Jack to F Female Jack, Gold	Pkgd
820634	White	Red	RCA Jack to F Female Jack, Gold	Pkgd
820631	White	Violet	RCA Jack to F Female Jack, Gold	Pkgd
820630	White	White	RCA Jack to F Female Jack, Gold	Pkgd
820637	White	Yellow	RCA Jack to F Female Jack, Gold	Pkgd



## Binding Post Keystone Inserts

✓ Compatible with Leviton, ICC, Allen Tel and Many Others

PART NO.	INSERT COLOR	COLOR	TYPE	PKG.
824111	Almond	1 Pair (Red, Black)	Binding Post, Gold	Pkgd
820487	Ivory	1 Pair (Red, Black)	Binding Post, Gold	Pkgd
820407	White	1 Pair (Red, Black)	Binding Post, Gold	Pkgd



## Banana Jack Keystone Inserts

✓ Compatible with Leviton, ICC, Allen Tel and Many Others

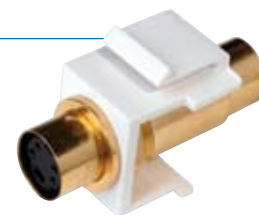
PART NO.	INSERT COLOR	TYPE	PKG.
820488	Ivory	Banana Jack, Gold	Pkgd
820408	White	Banana Jack, Gold	Pkgd



## SVHS Jack Keystone Inserts

✓ Compatible with Leviton, ICC, Allen Tel and Many Others

PART NO.	INSERT COLOR	TYPE	PKG.
820481	Ivory	SVHS Jack to SVHS Jack, Gold	Pkgd
820410	White	SVHS Jack to SVHS Jack, Gold	Pkgd



## BNC Jack Keystone Inserts

✓ Compatible with Leviton, ICC, Allen Tel and Many Others

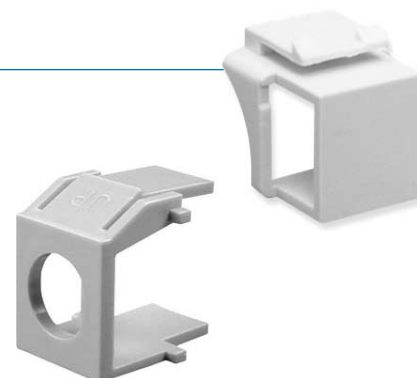
PART NO.	INSERT COLOR	TYPE	PKG.
820473	Ivory	BNC Jack to BNC Jack, Nickel	Pkgd
820409	White	BNC Jack to BNC Jack, Nickel	Pkgd



## Blank Keystone Inserts

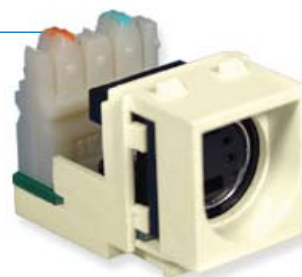
✓ Compatible with Leviton, ICC, Allen Tel and Many Others

PART NO.	INSERT COLOR	TYPE	PKG.
824095	Almond	Blank, 5 Pack	Pkgd
820435	Ivory	Blank, 5 Pack	Pkgd
820430	White	Blank, 5 Pack	Pkgd
820445	Ivory	Blank Hex Hole, 5 Pack	Pkgd
820440	White	Blank Hex Hole, 5 Pack	Pkgd



## IDC Adapters

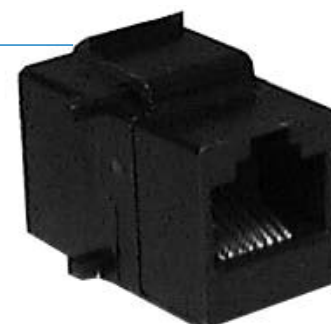
- ✓ Compatible with Leviton, ICC, Allen Tel and Many Others
- ✓ Converts Twisted Pairs to Coax
- ✓ Allows for Use of Category Wire to Connection of Multi-Media Termination
- ✓ UL Listed



PART NO.	INSERT COLOR	TYPE	PKG.
820480	Ivory	RCA Jack to IDC	Pkgd
820479	White	RCA Jack to IDC	Pkgd
820477	White	S-Video to IDC	Pkgd

## Panel Mount Cat5e and Cat6 In-Line Coupler

- ✓ Compatible with Leviton, ICC, Allen Tel and Many Others
- ✓ Cat 5e or Cat 6 Feed-Thru Jacks
- ✓ Accepts Two (2) Cat 5e or Cat 6 Cables
- ✓ Expands the Length while Maintaining the Cat 5e or Cat 6 Standards
- ✓ Meet the EIA/TIA 568 A & B and TSB40A Standards
- ✓ Can be Snapped into a Standard Keystone Opening (.58" x .76")
- ✓ Contains a 8-Conductor RJ45 Jack on Each Side
- ✓ UL Listed



PART NO.	INSERT COLOR	TYPE	PKG.
820354	Black	Cat5e RJ45 Feed-Thru Panel Mount	Pkgd
820658	Black	Cat6 RJ45 Feed-Thru Panel Mount	Pkgd

Add "X" to Part Number for Bulk

## Multi-Media Keystone Wall Plates

- ✓ Use to Connect Computer, Audio, Video, and Telephone Connections on One Wall Plate
- ✓ Holds Various Multi-media Inserts (Not Included) for Custom Installations
- ✓ Mounts to Standard Electrical J-box or Low Voltage Mounting Bracket
- ✓ Cutouts Comply with the Universal of .58" x .76" Measurements
- ✓ Compatible with Leviton, ICC, Allen Tel and Many Others
- ✓ Available in 1, 2, 3, 4 or 6 Port Configurations
- ✓ Color Matching Mounting Screws Included
- ✓ UL Listed



PART NO.	PORTS	COLOR	PKG.
823766	1	Almond	Pkgd
820001	1	Ivory	Pkgd
820101	1	White	Pkgd
823840	2	Almond	Pkgd
820002	2	Ivory	Pkgd
820102	2	White	Pkgd
823841	3	Almond	Pkgd
820003	3	Ivory	Pkgd
820103	3	White	Pkgd
823907	4	Almond	Pkgd
820004	4	Ivory	Pkgd
820104	4	White	Pkgd
823956	6	Almond	Pkgd
820006	6	Ivory	Pkgd
820106	6	White	Pkgd

## Decor Style Multi-Media Wall Plates with Hex Holes

- ✓ For Use with Keystone Jack "F" Inserts, Telephone Jacks, Audio Connectors, and Fiber Optic Connectors
- ✓ Printed Polybag Packaging
- ✓ UL Listed

PART NO.	COLOR	PKG.
820315	Ivory	Pkgd
820325	White	Pkgd



## Decor Style Multi-Media Wall Plates

- ✓ For Use with Keystone Jack "F" Inserts, Telephone Jacks, Audio Connectors, and Fiber Optic Connectors
- ✓ Printed Polybag Packaging
- ✓ UL Listed

PART NO.	PORT	COLOR	PKG.
820311	1	Ivory	Pkgd
820321	1	White	Pkgd
820312	2	Ivory	Pkgd
820322	2	White	Pkgd
820313	3	Ivory	Pkgd
820323	3	White	Pkgd
820314	4	Ivory	Pkgd
820324	4	White	Pkgd
820316	6	Ivory	Pkgd
820326	6	White	Pkgd



## Surface Mount Housings for Datacom Jacks

- ✓ Available in One (1) Port or Two (2) Port Design
- ✓ Includes Adhesive Pad and Mounting Screws
- ✓ Use with Multi-Media Inserts
- ✓ UL Listed



PART NO.	TYPE	COLOR	PKG.
820341	Single Housing	Ivory	Pkgd
820340	Single Housing	White	Pkgd
820344	Dual Housing	Ivory	Pkgd
820343	Dual Housing	White	Pkgd



## Category 5e In-Line Coupler

- ✓ Use to Extend the Length of (2) Category 5e Networking Cables
- ✓ Meets and Maintains EIA/TIA T568 A/B Standards
- ✓ 8-Position, 8-Conductor
- ✓ RJ45 Female Jacks on Each End
- ✓ White Color
- ✓ UL Listed



PART NO.	PKG.
820355	Pkgd
820355X	Bulk

## Category 6, 550 MHz Network Cables

- ✓ Use for High Speed Internet, DSL/Cable Modem, Home Networking and Fast Ethernet Connections
- ✓ Connects a Computer to a DSL/Cable Modem, Networking Router, Hub, or Wall Plate
- ✓ Stranded UTP (Unshielded Twisted Pair) Cat 6 Cable rated at 550 MHz
- ✓ Cat 6 Approved RJ45 Style Plugs
- ✓ Zero Clearance Protective Molded Boot with Snagless Strain Relief Ends
- ✓ 100% Tested and Certified to Meet the EIA/TIA T568 A/B Standards
- ✓ ETL Tested and Verified
- ✓ UL Listed



COLOR	3 FT	7 FT	10 FT	14 FT	25 FT	50FT	100 FT
Black	CAT6-3BK	CAT6-7BK	CAT6-10BK	CAT6-14BK	CAT6-25BK		
Blue	CAT6-3BU	CAT6-7BU	CAT6-10BU	CAT6-14BU	CAT6-25BU	CAT6-50BU	CAT6-100BU
Gray	CAT6-3GY	CAT6-7GY	CAT6-10GY	CAT6-14GY	CAT6-25GY	CAT6-50GY	CAT6-100GY
Red	CAT6-3RD	CAT6-7RD	CAT6-10RD	CAT6-14RD	CAT6-25RD		

**Other Lengths and Colors Available upon Special Request**

## Category 5e, 350 MHz Network Cables

- ✓ Use for High Speed Internet, DSL/Cable Modem, Home Networking and Fast Ethernet Connections
- ✓ Connects a Computer to a DSL/Cable Modem, Networking Router, Hub, or Wall Plate
- ✓ Stranded UTP Cat 5e Cable Rated at 350 MHz Band Width
- ✓ Cat 5e Approved RJ45 Plugs
- ✓ Zero Clearance Protective Molded Boot with Snagless Strain Relief Ends
- ✓ 100% Tested and Verified to Meet EIA/TIA T568A/B Standards
- ✓ ETL Tested and Verified
- ✓ UL Listed

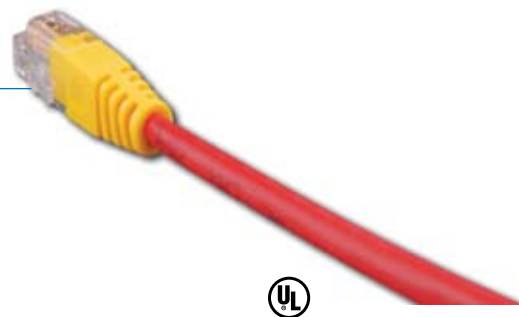


COLOR	1 FT	3 FT	7 FT	10 FT	14 FT	25 FT	50FT	75FT	100 FT
Black	CAT5E-1BK	CAT5E-3BK	CAT5E-7BK	CAT5E-10BK	CAT5E-14BK	CAT5E-25BK	CAT5E-50BK	CAT5E-75BK	
Blue	CAT5E-1BU	CAT5E-3BU	CAT5E-7BU	CAT5E-10BU	CAT5E-14BU	CAT5E-25BU	CAT5E-50BU	CAT5E-75BU	CAT5E-100BU
Gray	CAT5E-1GY	CAT5E-3GY	CAT5E-7GY	CAT5E-10GY	CAT5E-14GY	CAT5E-25GY	CAT5E-50GY	CAT5E-75GY	CAT5E-100GY
Green	CAT5E-1GN	CAT5E-3GN	CAT5E-7GN	CAT5E-10GN	CAT5E-14GN	CAT5E-25GN		CAT5E-75GN	
Red	CAT5E-1RD	CAT5E-3RD	CAT5E-7RD	CAT5E-10RD	CAT5E-14RD	CAT5E-25RD		CAT5E-75RD	
Yellow	CAT5E-1YL	CAT5E-3YL	CAT5E-7YL	CAT5E-10YL	CAT5E-14YL	CAT5E-25YL	CAT5E-50YL	CAT5E-75YL	

**Other Lengths and Colors Available upon Special Request**

## Category 5e, 350MHz Crossover Cables

- ✓ Use for High Speed Internet, DSL/Cable Modem, Home Networking and Fast Ethernet Connections
- ✓ Connects a Computer to a DSL/Cable Modem, Networking Router, Hub, or Wall Plate
- ✓ Use for Connecting Two Like Devices in an Ethernet System
- ✓ Transmit Line and the Receive Lines are Swaped So That the Transmit on One Device Goes to the Receive Line On the Other Device Thus Allowing Communications Between the Devices
- ✓ Zero Clearance Protective Molded Boot Ends
- ✓ UL Listed



PART NO.	LENGTH	COLOR	PKG.
820903	3 ft	Red	Pkgd
820907	7 ft	Red	Pkgd
820910	10 ft	Red	Pkgd
820914	14 ft	Red	Pkgd
820925	25 ft	Red	Pkgd

# Rapid Link Power™ by Vanco - The Complete Kit including ROMEX® Plus Bulk Wire Plates



## APPLICATION:

Provides an Affordable In-Wall Power Solution for Wall Mounted HDTV Flat Screen Plasma and LCD TVs.

- ✓ Provides a Complete Professional Installation Solution
- ✓ Package that Includes:
  - Dual Recessed Plug-in AC Power Outlet
  - Safety-Designed Recessed Plug-in AC Power Inlet
  - 36" Power Cord
  - 12.5' Romex® NM-B 14/2 Cable
  - (4) In-Wall PVC Electrical Boxes
  - (1) Flat Panel TV Bulk Cable Wall Plate
  - (1) Custom 2-Piece Bulk Cable Wall Plate
- ✓ Offers a Cost-Effective Way to Protect Expensive Home Theater HDTV Equipment from Surge Damage and AC Electrical Circuit when Connected to a Power Surge/Conditioner
- ✓ Engineered to Compliment Flat Screen LCD and Plasma Displays
- ✓ New Dual Outlet Provides More Space and Convenience
- ✓ Perfect for Retrofit Construction Projects
- ✓ Unique Recessed Power Inlet Wall Plate Eliminates the Risk of Electrical Shock
- ✓ Complies with National Electric Code Requirements
- ✓ Components UL Listed
- ✓ Romex® NM-B 14/2 Cable Meets or Exceeds UL Standard 83, UL Standard 719



### Note:

This product is not to be hard-wired directly to an electrical circuit. It is designed as an electrical plug-in device to an existing AC grounded outlet only. This product is rated for use with an existing outlet 15-Amp 125V grounded circuit only.

Do not put the TV power cord inside the wall or ceiling. Check with your Local Building Jurisdiction, as to permit or code requirements for installing electrical wire and outlets within a wall.

PART NO.	TYPE	COLOR	PKG.
RL128021-AL	Dual Outlet	Light Almond	Pkgd
RL128022-BK	Dual Outlet	Black	Pkgd
RL128023-IV	Dual Outlet	Ivory	Pkgd
RL128024-WH	Dual Outlet	White	Pkgd

## Rapid Link Power™ by Vanco - The Complete Kit including ROMEX®



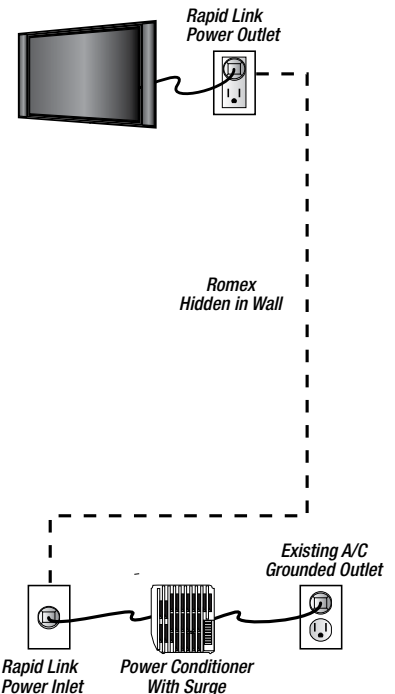
**COMPLETE  
INSTALL KIT**  
INCLUDES ROMEX®



### APPLICATION:

Provides an Affordable In-Wall Power Solution for Wall Mounted HDTV Flat Screen Plasma and LCD TVs.

- ✓ Provides a Complete Professional Installation Solution
- ✓ Package that Includes:
  - Dual Recessed Plug-in AC Power Outlet
  - Safety-Designed Recessed Plug-in AC Power Inlet
  - 36" Power Cord
  - 12.5' Romex® NM-B 14/2 Cable
  - In-Wall PVC Electrical Boxes
- ✓ Easy and Safe to Install at the Same Time as Running the A/V Cables
- ✓ Offers a Cost-Effective Way to Protect Expensive Home Theater HDTV Equipment from Surge Damage and AC Electrical Circuit when Connected to a Power Surge/Conditioner
- ✓ Engineered to Compliment Flat Screen LCD and Plasma Displays
- ✓ New Dual Outlet Provides More Space and Convenience
- ✓ Perfect for Retrofit Construction Projects
- ✓ Unique Recessed Power Inlet Wall Plate Eliminates the Risk of Electrical Shock
- ✓ Complies with National Electric Code Requirements
- ✓ Components UL Listed
- ✓ Romex® NM-B 14/2 Cable Meets or Exceeds UL Standard 83, UL Standard 719



### Note:

This product is not to be hard-wired directly to an electrical circuit. It is designed as an electrical plug-in device to an existing AC grounded outlet only. This product is rated for use with an existing outlet 15-Amp 125V grounded circuit only.

Do not put the TV power cord inside the wall or ceiling. Check with your Local Building Jurisdiction, as to permit or code requirements for installing electrical wire and outlets within a wall.

PART NO.	TYPE	COLOR	PKG.
RL121221-AL	Dual Outlet	Light Almond	Pkgd
RL121222-BK	Dual Outlet	Black	Pkgd
RL121223-IV	Dual Outlet	Ivory	Pkgd
RL121224-WH	Dual Outlet	White	Pkgd

## Rapid Link Power™ by Vanco

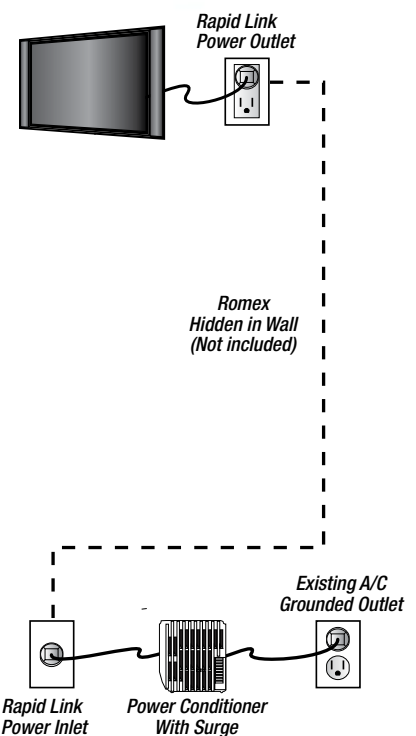
# Rapid Link POWER™

**In-Wall Power Just Got Easy**

### APPLICATION:

Provides an Affordable In-Wall Power Solution for Wall Mounted HDTV Flat Screen Plasma and LCD TVs.

- ✓ Provides a Complete Professional Installation Solution
- ✓ Package that Includes:
  - Dual Recessed Plug-in AC Power Outlet
  - Safety-Designed Recessed Plug-in AC Power Inlet
  - 36" Power Cord
  - In-Wall PVC Electrical Boxes
- ✓ Easy and Safe to Install at the Same Time as Running the A/V Cables
- ✓ Offers a Cost-Effective Way to Protect Expensive Home Theater HDTV Equipment from Surge Damage and AC Electrical Circuit when Connected to a Power Surge/Conditioner.
- ✓ Engineered to Compliment Flat Screen LCD and Plasma Displays
- ✓ New Dual Outlet Provides More Space and Convenience
- ✓ Perfect for Retrofit Construction Projects
- ✓ Unique Recessed Power Inlet Wall Plate Eliminates the Risk of Electrical Shock
- ✓ Complies with National Electric Code Requirements
- ✓ Components UL Listed



**Note:**

This product is not to be hard-wired directly to an electrical circuit. It is designed as an electrical plug-in device to an existing AC grounded outlet only. This product is rated for use with an existing outlet 15-Amp 125V grounded circuit only.

Do not put the TV power cord inside the wall or ceiling. Check with your Local Building Jurisdiction, as to permit or code requirements for installing electrical wire and outlets within a wall.

PART NO.	TYPE	COLOR	PKG.
RL125021-AL	Dual Outlet	Light Almond	Pkgd
RL125022-BK	Dual Outlet	Black	Pkgd
RL125023-IV	Dual Outlet	Ivory	Pkgd
RL125024-WH	Dual Outlet	White	Pkgd

## Rapid Link Power™ by Vanco - Recessed AC Duplex Outlet Plate



- ✓ Provides a Complete Professional Installation Solution
- ✓ Perfect for Retrofit Construction Projects
- ✓ Unique Recessed Power Inlet Wall Plate Eliminates the Risk of Electrical Shock
- ✓ Complies with National Electric Code Requirements
- ✓ Components UL Listed



PART NO.	TYPE	COLOR	PKG.
168921-AL	Duplex Outlet	Light Almond	Pkgd
168922-BK	Duplex Outlet	Black	Pkgd
168923-IV	Duplex Outlet	Ivory	Pkgd
168924-WH	Duplex Outlet	White	Pkgd

## Flat Panel TV Power Cord

- ✓ Replacement Power Cord for HDTV Flat Screen Plasma and LCD TVs
- ✓ Shorter Lengths Ideal for Wall Mounted Flat Panel TVs where Space is Limited and Hanging Cords are Unsightly
- ✓ Non-Shielded
- ✓ 18 Gauge SVT/CSA Cord
- ✓ UL Listed



PART NO.	LENGTH	PKG.
330015	1.5 ft	Pkgd
330003	3 ft	Pkgd

# QuickTye-*StandOff*®

**Simply Saves Time**

Patent Pending

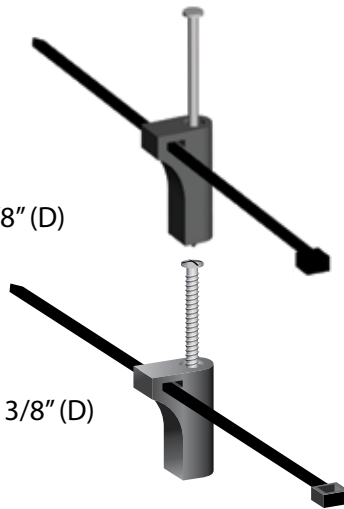
- ✓ A Quick and Easy Way to Attach and Secure Cable to Studs During Installation
- ✓ Simple Idea Offers Big Solutions for Installers - Saving Time and Money
- ✓ Installs in 1/3 Time of Traditional Methods
- ✓ Accommodates Cables of Varying Bundle Sizes
- ✓ Cables Stand Off from Stud Up to 1"
- ✓ Ideal for Installing Coax Cable, Category Networking Cable, Home Theater Audio Cable, Security Cable and Telephone Wire
- ✓ Patent Pending
- ✓ Tensile Strength: 50 lbs
- ✓ Flammability Rating: 94V-2
- ✓ Working Temperature: - 40 to 85 C
- ✓ UV Resistance: Good

## QUICKTYE- STANDOFF® NAIL-IN:

- ✓ Type: Nail-In Zinc Plated 2" (L)
- ✓ PVC Clip Size: 1-1/8" (L) x 3/4" (W) x 3/8" (D)

## QUICKTYE-STANDOFF® SCREW-IN:

- ✓ Type: Screw-In Zinc Plated 1-3/4" (L)
- ✓ ABS Clip Size: 1-1/8" (L) x 15/16" (W) x 3/8" (D)



## 1. MOUNT IT!!



## 2. TIE IT!!



**PATENT  
Pending**

PART NO.	TYPE	CABLE TIE LENGTH	WIDTH	QTY	PKG.
20-06600-25	Nail-In	8-Inch	.14"	25	Pkgd
20-06600-100	Nail-In	8-Inch	.14"	100	Pkgd
20-06811-25	Nail-In	11-Inch	.19"	25	Pkgd
20-06811-100	Nail-In	11-Inch	.19"	100	Pkgd
20-08600-25	Screw-In	8-Inch	.14"	25	Pkgd
20-08600-100	Screw-In	8-Inch	.14"	100	Pkgd
20-08811-25	Screw-In	11-Inch	.19"	25	Pkgd
20-08811-100	Screw-In	11-Inch	.19"	100	Pkgd

## Index

120235.....	28	120710.....	28	280039.....	41	280418.....	4
120235X.....	28	120710X.....	28	280039BKX.....	41	280444.....	9
120238.....	29	120720.....	28	280039RDX.....	41	280448.....	9
120238X.....	29	120720X.....	28	280040.....	41	280502.....	11
120239.....	29	120730.....	28	280040BKX.....	41	280503.....	12
120239X.....	29	120730X.....	28	280040RDX.....	41	280504.....	13
120300.....	16	120740.....	28	280043BKX.....	40	280520.....	14
120300X.....	16	120740X.....	28	280043VLX.....	40	280521.....	10
120306.....	16	120750.....	28	280044ORX.....	40	280523.....	12
120306X.....	16	120750X.....	28	280045BUX.....	40	280532.....	10
120313.....	16	120900.....	30	280045GNX.....	40	28106RGBI.....	32
120313X.....	16	120900X.....	30	280046RDX.....	40	28106RGBIX.....	32
120325.....	16	120902.....	30	280046WHX.....	40	28106RGBW.....	32
120325X.....	16	120902X.....	30	280049YLX.....	40	28106RGBWX.....	32
120335.....	16	120903.....	12	280051.....	39	281201.....	33
120335X.....	16	120905.....	31	280051RDX.....	39	281201X.....	33
120336.....	16	120905X.....	31	280051WHX.....	39	281202.....	33
120336X.....	16	120910.....	30	280067.....	39	281202X.....	33
120350.....	16	120910X.....	30	280067RDX.....	39	281206.....	33
120350X.....	16	120912.....	12	280068.....	39	281206X.....	33
120375.....	16	120920.....	31	280068WHX.....	39	281212.....	33
120375X.....	16	120920X.....	31	280069.....	39	281212X.....	33
120501.....	17	120921.....	13	280069YLX.....	39	281222.....	3
120501X.....	17	121006X.....	19	280300.....	39	281244.....	3
120503.....	17	121012X.....	19	280300X.....	39	281444.....	2
120503X.....	17	121025X.....	19	280301.....	39	281461.....	37
120506.....	17	168921-AL.....	60	280301X.....	39	281461X.....	37
120506X.....	17	168922-BK.....	60	280302.....	39	28146W.....	37
120512.....	17	168923-IV.....	60	280302X.....	39	28146WX.....	37
120512X.....	17	168924-WH.....	60	280303.....	39	281471.....	37
120611.....	42	20-06600-100.....	61	280303X.....	39	281471X.....	37
120611X.....	42	20-06600-25.....	61	280304.....	39	28147W.....	37
120612.....	42	20-06811-100.....	61	280304X.....	39	28147WX.....	37
120612X.....	42	20-06811-25.....	61	280306.....	39	281481.....	37
120613.....	42	20-08600-100.....	61	280306X.....	39	281481X.....	37
120613X.....	42	20-08600-25.....	61	280308.....	39	28148W.....	37
120614.....	42	20-08811-100.....	61	280308X.....	39	28148WX.....	37
120614X.....	42	20-08811-25.....	61	280310.....	39	28152W.....	37
120615.....	42	200-007-06.....	23	280310X.....	39	28152WX.....	37
120615X.....	42	200-007-06W.....	23	280311.....	39	28154W.....	37
120616.....	42	200-007-100.....	23	280311X.....	39	28154WX.....	37
120616X.....	42	200-007-100W.....	23	280312.....	39	28158W.....	37
120617.....	42	200-007-12.....	23	280312X.....	39	28158WX.....	37
120617X.....	42	200-007-12W.....	23	280313.....	39	284220.....	2
120618.....	42	200-007-25.....	23	280313X.....	39	288003X.....	18
120618X.....	42	200-007-25W.....	23	280314.....	39	288006X.....	18
120621.....	42	200-007-50.....	23	280314X.....	39	288010X.....	18
120621X.....	42	200-007-50W.....	23	280316.....	39	288012X.....	18
120622.....	42	280034.....	41	280316X.....	39	288015X.....	18
120622X.....	42	280034BKX.....	41	280318.....	39	288020X.....	18
120623.....	42	280034RDX.....	41	280318X.....	39	288025X.....	18
120623X.....	42	280035.....	41	280320.....	14	299003.....	17
120624.....	42	280035BKX.....	41	280321.....	8	299003X.....	17
120624X.....	42	280035RDX.....	41	280322.....	7	299006.....	17
120625.....	42	280036BKX.....	40	280326.....	7	299006X.....	17
120625X.....	42	280036BUX.....	40	280327.....	5	299012.....	17
120626.....	42	280036GNX.....	40	280328.....	14	299012X.....	17
120626X.....	42	280036ORX.....	40	280328X.....	14	299025.....	17
120627.....	42	280036RDX.....	40	280329.....	6	299025X.....	17
120627X.....	42	280036VLX.....	40	280332.....	6	330003.....	60
120628.....	42	280036WHX.....	40	280334.....	5	330015.....	60
120628X.....	42	280036VLX.....	40	280382.....	4	45-0060.....	36



# Index

45-0060X.....	36	820489.....	48	820925.....	56	CAT6-100BU.....	55
820001.....	53	820490.....	48	823766.....	53	CAT6-100GY.....	55
820002.....	53	820491.....	48	823840.....	53	CAT6-10BK.....	55
820003.....	53	820501.....	38	823841.....	53	CAT6-10BU.....	55
820004.....	53	820501X.....	38	823907.....	53	CAT6-10GY.....	55
820006.....	53	820502.....	38	823956.....	53	CAT6-10RD.....	55
820101.....	53	820502X.....	38	824012.....	47	CAT6-14BK.....	55
820102.....	53	820503.....	38	824053.....	47	CAT6-14BU.....	55
820103.....	53	820503X.....	38	824079.....	48	CAT6-14GY.....	55
820104.....	53	820511.....	38	824095.....	51	CAT6-14RD.....	55
820106.....	53	820511X.....	38	824105.....	48	CAT6-25BK.....	55
820311.....	54	820512.....	38	824111.....	50	CAT6-25BU.....	55
820312.....	54	820512X.....	38	824137.....	49	CAT6-25GY.....	55
820313.....	54	820513.....	38	824138.....	49	CAT6-25RD.....	55
820314.....	54	820513X.....	38	CAT5E-100BU.....	56	CAT6-3BK.....	55
820315.....	53	820518X.....	38	CAT5E-100GY.....	56	CAT6-3BU.....	55
820316.....	54	820521X.....	38	CAT5E-10BK.....	56	CAT6-3GY.....	55
820321.....	54	820523X.....	38	CAT5E-10BU.....	56	CAT6-3RD.....	55
820322.....	54	820540X.....	38	CAT5E-10GN.....	56	CAT6-50BU.....	55
820323.....	54	820542X.....	38	CAT5E-10GY.....	56	CAT6-50GY.....	55
820324.....	54	820543X.....	38	CAT5E-10RD.....	56	CAT6-7BK.....	55
820325.....	53	820553.....	47	CAT5E-10YL.....	56	CAT6-7BU.....	55
820326.....	54	820554.....	47	CAT5E-14BK.....	56	CAT6-7GY.....	55
820340.....	54	820555.....	47	CAT5E-14BU.....	56	CAT6-7RD.....	55
820341.....	54	820556.....	47	CAT5E-14GN.....	56	DV312LR.....	21
820343.....	54	820611.....	49	CAT5E-14GY.....	56	DV312LRX.....	21
820344.....	54	820612.....	49	CAT5E-14RD.....	56	DV325LR.....	21
820354.....	52	820613.....	49	CAT5E-14YL.....	56	DV325LRX.....	21
820355.....	55	820614.....	49	CAT5E-1BK.....	56	DV336LR.....	21
820355X.....	55	820615.....	49	CAT5E-1BU.....	56	DV336LRX.....	21
820407.....	50	820616.....	49	CAT5E-1GN.....	56	DV350LR.....	21
820408.....	51	820617.....	49	CAT5E-1GY.....	56	DV350LRX.....	21
820409.....	51	820620.....	50	CAT5E-1RD.....	56	DV372LR.....	21
820410.....	51	820621.....	49	CAT5E-1YL.....	56	DV372LRX.....	21
820420.....	47	820622.....	49	CAT5E-25BK.....	56	DVB312.....	20
820421.....	47	820623.....	49	CAT5E-25BU.....	56	DVB312X.....	20
820422.....	47	820624.....	49	CAT5E-25GN.....	56	DVB325.....	20
820423.....	47	820625.....	49	CAT5E-25GY.....	56	DVB325X.....	20
820424.....	47	820626.....	49	CAT5E-25RD.....	56	DVB336.....	20
820425.....	47	820627.....	49	CAT5E-25YL.....	56	DVB336X.....	20
820426.....	47	820628.....	48	CAT5E-3BK.....	56	DVB350.....	20
820427.....	47	820629.....	50	CAT5E-3BU.....	56	DVB350X.....	20
820428.....	48	820630.....	50	CAT5E-3GN.....	56	DVB372.....	20
820429.....	49	820631.....	50	CAT5E-3GY.....	56	DVB372X.....	20
820430.....	51	820632.....	50	CAT5E-3RD.....	56	FRO503R.....	41
820435.....	51	820633.....	50	CAT5E-3YL.....	56	FRO503RX.....	41
820440.....	51	820634.....	50	CAT5E-50BK.....	56	HDMI1200V1.3.....	15
820445.....	51	820635.....	50	CAT5E-50BU.....	56	HDMI1200V1.3X.....	15
820454.....	47	820636.....	50	CAT5E-50GY.....	56	HDMI144AMC.....	15
820455.....	47	820637.....	50	CAT5E-50YL.....	56	HDMI144V1.3.....	15
820472.....	48	820641.....	50	CAT5E-75BK.....	56	HDMI144V1.3X.....	15
820473.....	51	820642.....	50	CAT5E-75BU.....	56	HDMI300V1.3.....	15
820474.....	49	820643.....	50	CAT5E-75GN.....	56	HDMI300V1.3X.....	15
820477.....	52	820645.....	50	CAT5E-75GY.....	56	HDMI36V1.3.....	15
820479.....	52	820646.....	50	CAT5E-75RD.....	56	HDMI36V1.3X.....	15
820480.....	52	820647.....	50	CAT5E-75YL.....	56	HDMI420V1.3.....	15
820481.....	51	820658.....	52	CAT5E-7BK.....	56	HDMI420V1.3X.....	15
820482.....	48	820701.....	48	CAT5E-7BU.....	56	HDMI600V1.3.....	15
820483.....	48	820903.....	56	CAT5E-7GN.....	56	HDMI600V1.3X.....	15
820486.....	48	820907.....	56	CAT5E-7GY.....	56	HDMI72AMC.....	15
820487.....	50	820910.....	56	CAT5E-7RD.....	56	HDMI72V1.3.....	15
820488.....	51	820914.....	56	CAT5E-7YL.....	56	HDMI72V1.3X.....	15

## Index

HDMI900V1.3.....	15	HTFPG6X.....	22	LVMB1.....	46	VGA-3RCA-6.....	25
HDMI900V1.3X.....	15	HTRCA12.....	26	LVMB2.....	46	VGA-3RCA-6X.....	25
HT2RCA12.....	27	HTRCA12X.....	26	LVN1.....	46	VGA-5BNC-12.....	24
HT2RCA12X.....	27	HTRCA25.....	26	LVN2.....	46	VGA-5BNC-12X.....	24
HT2RCA25.....	27	HTRCA25X.....	26	LVS1.....	46	VGA-5BNC-25.....	24
HT2RCA25X.....	27	HTRCA3.....	26	LVS2.....	46	VGA-5BNC-25X.....	24
HT2RCA3.....	27	HTRCA3X.....	26	RL121221-AL.....	58	VGA-5BNC-6.....	24
HT2RCA3X.....	27	HTRCA6.....	26	RL121222-BK.....	58	VGA-5BNC-6X.....	24
HT2RCA6.....	27	HTRCA6X.....	26	RL121223-IV.....	58	VGA-5RCA-12.....	24
HT2RCA6X.....	27	HTSVHS12.....	21	RL121224-WH.....	58	VGA-5RCA-12X.....	24
HTADT12.....	26	HTSVHS12X.....	21	RL125021-AL.....	59	VGA-5RCA-25.....	24
HTADT12X.....	26	HTSVHS25.....	21	RL125022-BK.....	59	VGA-5RCA-25X.....	24
HTADT25.....	26	HTSVHS25X.....	21	RL125023-IV.....	59	VGA-5RCA-6.....	24
HTADT25X.....	26	HTSVHS3.....	21	RL125024-WH.....	59	VGA-5RCA-6X.....	24
HTADT36.....	26	HTSVHS3X.....	21	RL128021-AL.....	57	VGA-VGA-100.....	23
HTADT36X.....	26	HTSVHS50.....	21	RL128022-BK.....	57	VGA-VGA-100X.....	23
HTADT72.....	26	HTSVHS50X.....	21	RL128023-IV.....	57	VGA-VGA-12.....	23
HTADT72X.....	26	HTSVHS6.....	21	RL128024-WH.....	57	VGA-VGA-12X.....	23
HTDKE12.....	22	HTSVHS6X.....	21	SS6.....	8	VGA-VGA-25.....	23
HTDKE12X.....	22	HTSWRCA12.....	27	TVB2GW.....	44	VGA-VGA-25X.....	23
HTDKE25.....	22	HTSWRCA12X.....	27	TVB613.....	44	VGA-VGA-50.....	23
HTDKE25X.....	22	HTSWRCA25.....	27	VANWPBW2A.....	43	VGA-VGA-50X.....	23
HTDKE3.....	22	HTSWRCA25X.....	27	VANWPBW2AX.....	43	VGA-VGA-6.....	23
HTDKE3X.....	22	HTSWRCA50.....	27	VANWPBW2B.....	43	VGA-VGA-6X.....	23
HTDKE50.....	22	HTSWRCA50X.....	27	VANWPBW2BX.....	43	VGA-VGA-75.....	23
HTDKE50X.....	22	HTSWRCA6.....	27	VANWPBW2I.....	43	VGA-VGA-75X.....	23
HTDKE6.....	22	HTSWRCA6X.....	27	VANWPBW2IX.....	43	WPBW2A.....	43
HTDKE6X.....	22	HTWP62.....	36	VANWPBW2W.....	43	WPBW2AX.....	43
HTDV3100.....	20	HTWP62BW.....	35	VANWPBW2WX.....	43	WPBW2B.....	43
HTDV3100X.....	20	HTWP62X.....	36	VANWPBWA.....	43	WPBW2BX.....	43
HTDV312.....	20	HTWP64BW.....	34	VANWPBWAX.....	43	WPBW2I.....	43
HTDV312X.....	20	HTWP72.....	35	VANWPBWB.....	43	WPBW2IX.....	43
HTDV325.....	20	HTWP72BW.....	34	VANWPBWBX.....	43	WPBW2W.....	43
HTDV325X.....	20	HTWP72X.....	35	VANWPBWI.....	43	WPBW2WX.....	43
HTDV350.....	20	LV1.....	46	VANWPBWIX.....	43	WPBWA.....	43
HTDV350X.....	20	LV1PK.....	46	VANWPBWW.....	43	WPBWAX.....	43
HTDV372.....	20	LV2.....	46	VANWPBWWX.....	43	WPBWB.....	43
HTDV372X.....	20	LV2PK.....	46	VGA-3BNC-12.....	25	WPBWBX.....	43
HTDV375.....	20	LV3.....	46	VGA-3BNC-12X.....	25	WPBWDI.....	43
HTDV375X.....	20	LV32.....	45	VGA-3BNC-25.....	25	WPBWDIX.....	43
HTFPG12.....	22	LV3P.....	46	VGA-3BNC-25X.....	25	WPBWDW.....	43
HTFPG12X.....	22	LV3P-10.....	46	VGA-3BNC-6.....	25	WPBWDWX.....	43
HTFPG25.....	22	LV3X.....	46	VGA-3BNC-6X.....	25	WPBWI.....	43
HTFPG25X.....	22	LV4.....	46	VGA-3RCA-12.....	25	WPBWIX.....	43
HTFPG3.....	22	LV421.....	45	VGA-3RCA-12X.....	25	WPBWW.....	43
HTFPG3X.....	22	LV8.....	45	VGA-3RCA-25.....	25	WPBWWX.....	43
HTFPG6.....	22	LVDR2.....	45	VGA-3RCA-25X.....	25		

**HDMI Product Compatibility:** All Vanco HDMI Matrix Switchers and HDMI Splitters and Extenders are HDCP Compatible. First, You must verify your source and destination devices support HDCP encryption. HDCP compliant devices will only transmit to or receive from other devices with HDCP coding. Second, Achieving Full 1080P Resolution with HDMI Matrix Switchers and HDMI Splitters and Extenders is dependant upon the compatibility of all your source and destination devices (source, splitter/switcher, monitors, etc.). For questions regarding compatibility issues please see your product manual or call 800.626.6445

**Product Availability:** Vanco International, LLC reserves the right to add or modify product availability without notice or cause. The company "Vanco International, LLC" will not and cannot be liable for pictorial or typographical inaccuracies.

Trademarks: Vanco®, Vanco Advancing Connectivity®, QuickTye-Standoff®, and Blue Jet® are registered trademarks of Vanco International, LLC. Rapid Link Power In-Wall Power Just Got Easy™ is a trademark of Vanco International, LLC. All Other registered trademarks shown in this catalog are owned by their respective holders and are only used for descriptive purposes. Absence of an ® or ™ in connection with marks of vendors does not indicate an absence of registration of these marks. HDMI, the HDMI logo and High-Definition Multimedia Interface are trademarks or registered trademarks of HDMI Licensing, LLC





**For the Latest  
in Home Theater  
Innovation...**

**Check Out  
the NEW  
[www.Vanco1.com](http://www.Vanco1.com)**

**Complete with NEW  
Product Videos, Online  
Catalog, New Product  
Alerts and the Latest  
in Industry News  
and Events!**

**Check It Out Today!**



**In Wall Power Just Got Easy!  
Complete Flat-Panel Power Solution!**

**Inlet Meets Outlet...**



Romex<sup>®</sup>  
Included!

ALSO INCLUDED,  
Low Voltage Inlet and  
Low Voltage Outlet  
for A/V Cables!

Dual Outlet for Space and Convenience. Complete with Workboxes, A/V Bulk Cable Wall Plates and Brackets, Romex<sup>®</sup> and Power Cord!

**The Total Solution for In-Wall Installations... Made Easy!**

**Home Theater  
Innovation**



Bulk Cable Wall Plates



HDMI<sup>™</sup> Matrix Switches



HDMI<sup>™</sup> Cables



QuickTye-Standoff<sup>™</sup>  
Cable Management



**Disconnect Cords?  
What for?**

**NO NEED...  
With the Bulk Wire  
Hinge-Plate**

Simply install the top-half of the plate to your low-voltage mounting bracket, with the lower hinge open simply rotate it into place and install the screw to finish off the job!

**The final presentation  
is as sharp as your  
high-definition  
flat-panel!**





**Vanco<sup>®</sup> International**

506 Kingsland Drive  
Batavia, Illinois 60510  
call: 1.800.626.6445  
fax: 1.630.879.9189  
visit: [www.vanco1.com](http://www.vanco1.com)

Volume 2HT



*distributed by*

TO ORDER OR LOCATE YOUR NEAREST DISTRIBUTOR VISIT [WWW.VANCO1.COM](http://WWW.VANCO1.COM) OR CALL 800-626-6445