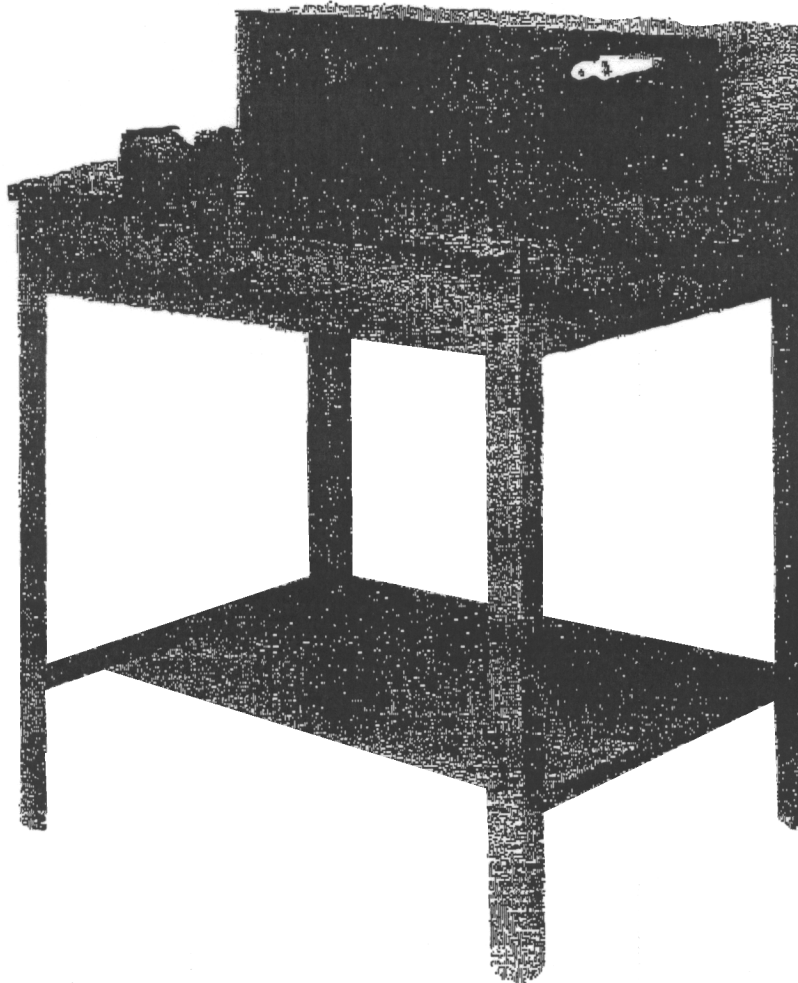


OPEN FOREMAN'S DESK

Tennsco Corp., Dickson, TN 37056-1888 * (615) 446-8000

READ INSTRUCTIONS CAREFULLY BEFORE ATTEMPTING TO ASSEMBLE YOUR Tennsco FOREMAN'S DESK. RETAIN INSTRUCTIONS FOR FUTURE REFERENCE!



DESCRIPTION

Tennsco open shop desks are designed for use in offices, schools, institutions, businesses, and the industrial work place. They provide a sturdy writing table, a storage riser which is divided into four compartments for storing supplies, a drawer for storage of utensils and supplies (secured with a cam lock), and a shelf under the desktop drawer that can be used as a footrest or as a shelf for storage of larger items.

SPECIFICATIONS

Overall Dimensions	29"d x 34½"w x 53"h
Front Height	43½"h
Basic Construction	
Legs	13 gauge steel
Riser	20 gauge steel
Wrapper	20 gauge steel
Drawer Body	20 gauge steel
Drawer Front	16 gauge steel

GENERAL SAFETY INFORMATION

Some parts may have sharp edges. CARE must be taken when handling various pieces to avoid injury. For safety, wear a pair of work gloves when assembling or performing any maintenance on workbench.

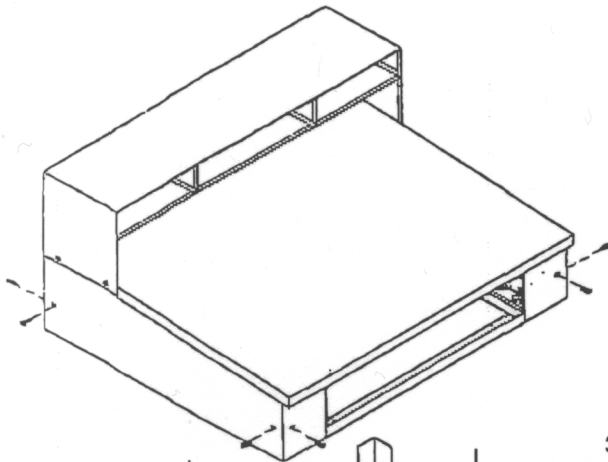
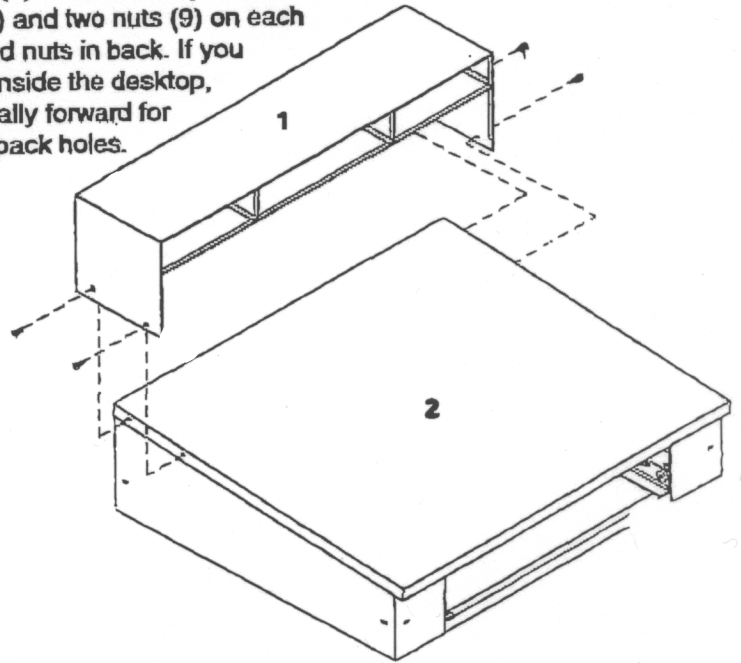
Step By Step Installation Instructions

Tools required: One slotted screwdriver and a 7/16" wrench or nutdriver.
Unit should be assembled on saw horses or any convenient flat surface.

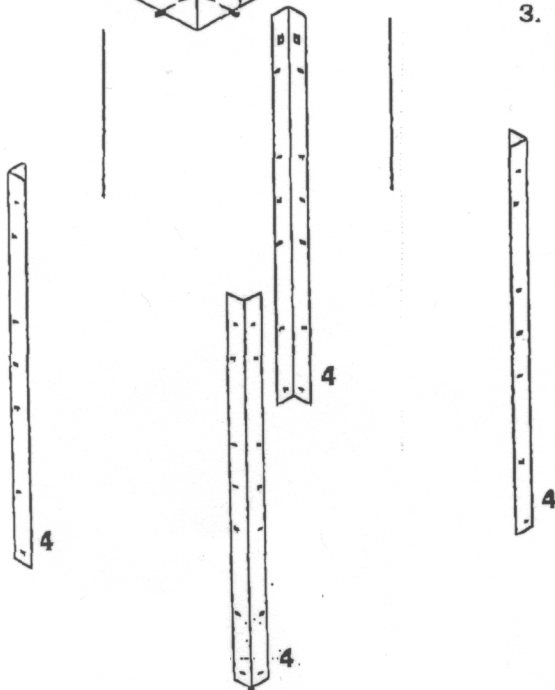
1. Remove all parts from carton and check against the parts list on back cover for any missing parts.

NOTE: The drawer has been placed inside the desktop for packaging purposes. While it is not necessary to remove the drawer to assemble the unit, you may wish to do so for easier access.

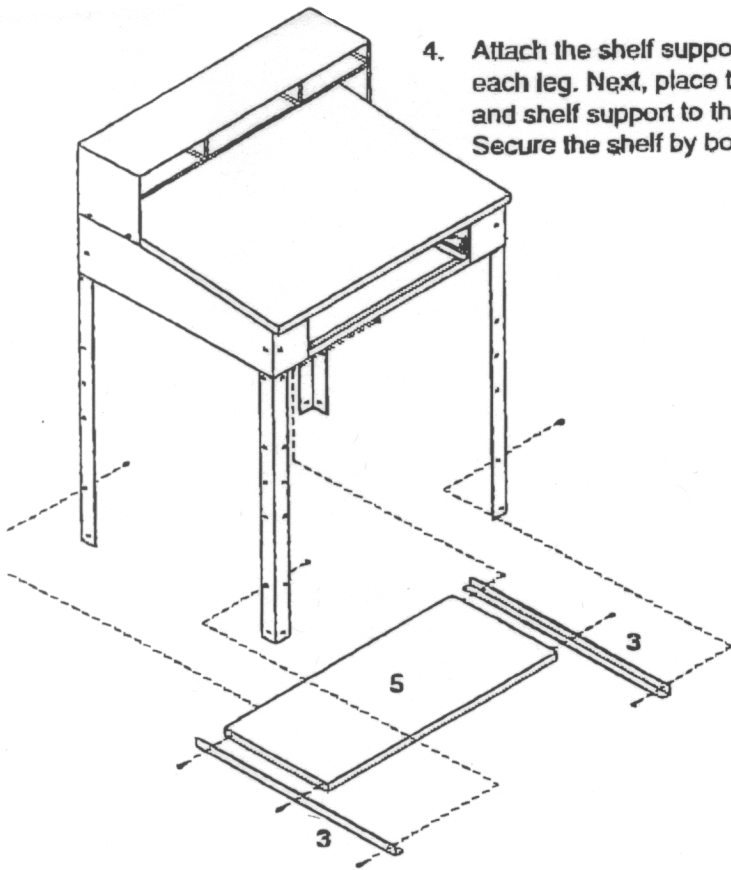
2. Attach the desk riser (1) to the desktop assembly (2) using two bolts (8) and two nuts (9) on each side and two bolts and nuts in back. If you have left the drawer inside the desktop, slide the drawer partially forward for easier access to the back holes.



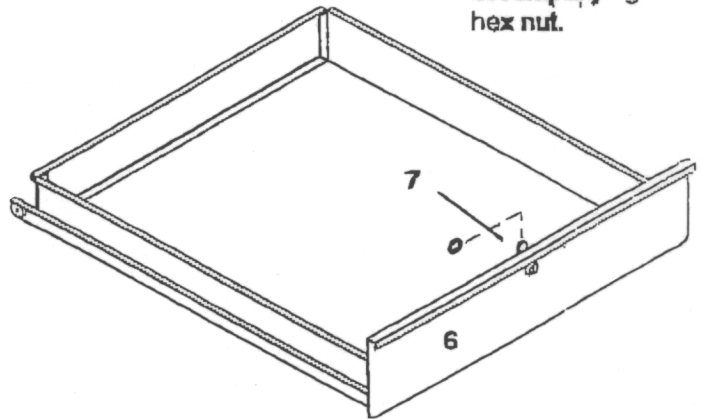
3. Attach four legs (4) to the desk top by attaching bolts into the two pre-welded nuts on each leg.



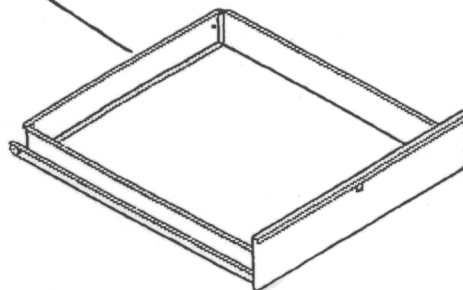
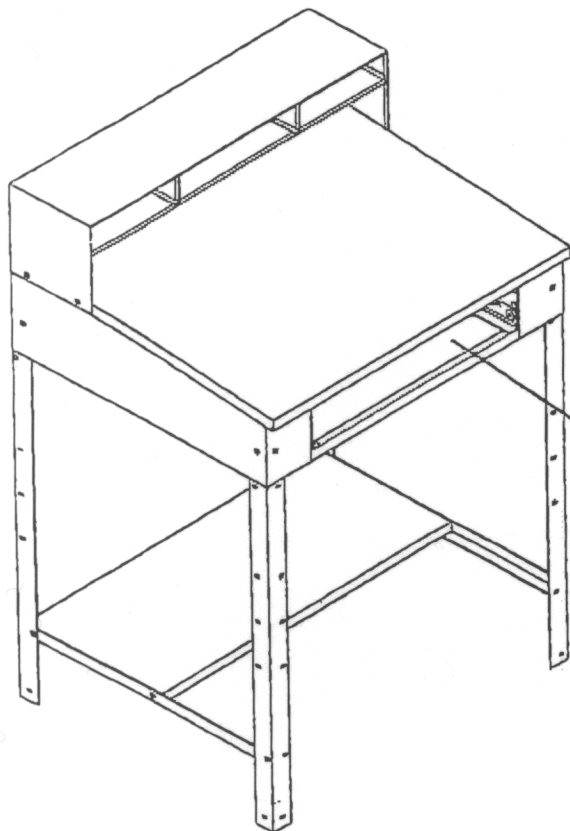
4. Attach the shelf supports (3) to the front legs, using one bolt on each leg. Next, place the shelf (5) into position and bolt the shelf and shelf support to the rear legs, again using one bolt per leg. Secure the shelf by bolting to each shelf support.



5. Insert drawer lock (7) into drawer front (6), then attach with accompanying hex nut.



6. If drawer was removed from desktop earlier, re-insert it now.



7. Make sure all bolts and nuts are tightened securely before using unit.