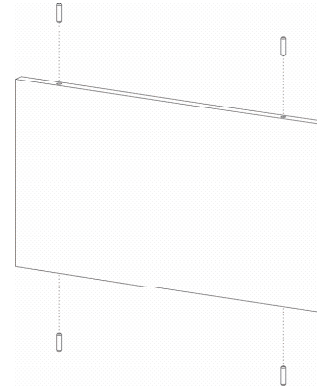


- 1) Insert 1 dowel in each of the holes on the short edges of the Back Panel, and tap with a rubber mallet until they cannot be inserted any further.



Parts List / Liste des Pièces / Lista de Piezas:

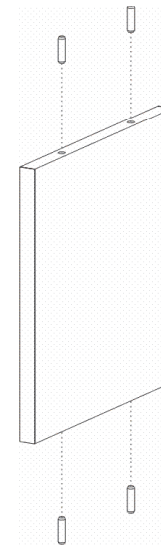
Top/Bottom Panel
 Panneau Supérieur/Inférieur
 Panel Superior/Inferior
 Qty./Qté./Cant. 2
 440000150

Back Panel
 Panneau Arrière
 Panel Posterior
 Qty./Qté./Cant. 1
 #5509 - 420000207
 #5510 - 420000211

Side Panel
 Panneau Latéral
 Panel Lateral
 Qty./Qté./Cant. 2
 #5509 - 420000182
 #5510 - 420000183

Leg Assembly
 Assemblage des Jambes
 Ensamblaje de la Pier
 Qty./Qté./Cant. 4
 #5509 - 410000342
 #5510 - 410000343

- 2) Insert 1 dowel in each of the holes on the short edges of the Side Panel, tap with a rubber mallet until they cannot be inserted any further. Repeat this step for the other Side Panel.



Hardware Pack / Paquet Matériel / Paquete Material: 900000378



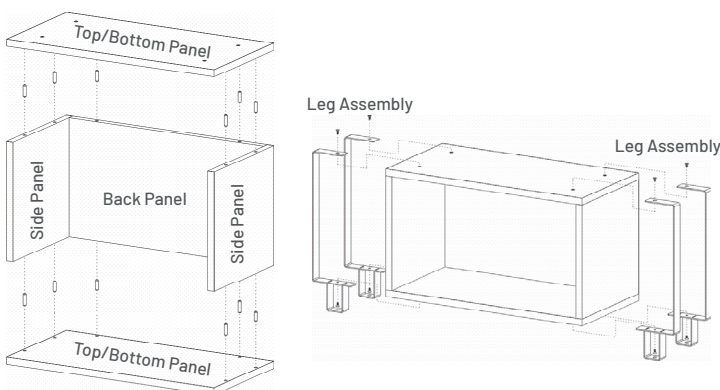
Wood Dowel 8mm x 30mm
 Chivelle en Bois 8mm x 30mm
 Pasador de Madera 8mm x 30mm
 Qty./Qté./Cant. 12
 920000309



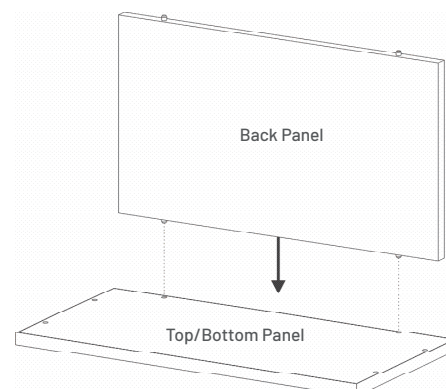
Screw 8/32 x 1/2"
 Vis 8/32 x 1/2"
 Tornillo 8/32 x 1/2"
 Qty./Qté./Cant. 8
 9050000531



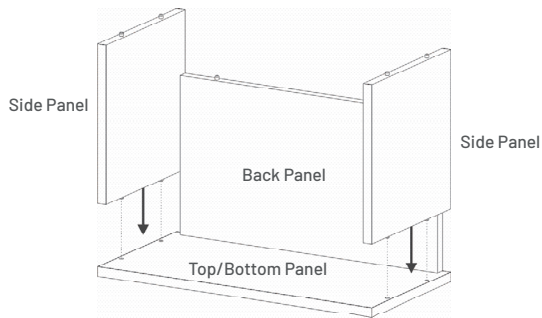
Allen Wrench 3/32
 Clé Allen 3/32
 Llave Allen 3/32
 Qty./Qté./Cant. 1
 920000575



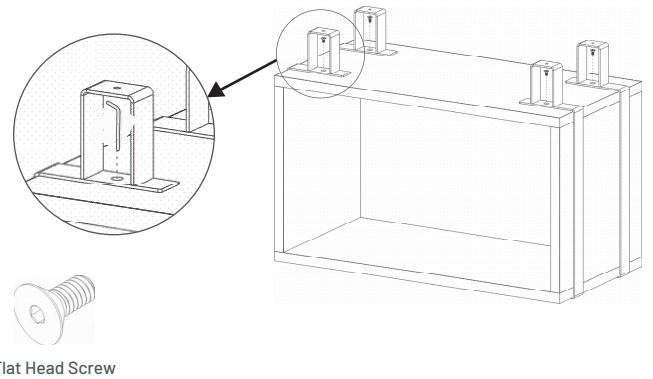
- 3) Insert the Back Panel into 1 of the Top/Bottom Panels until fully seated.



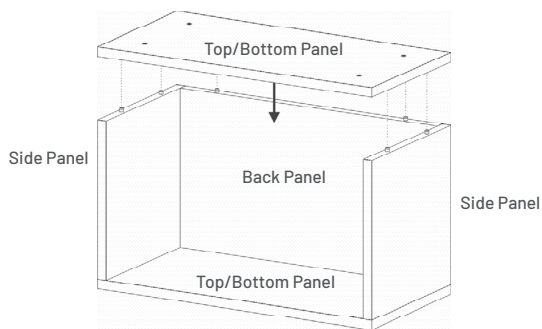
- 4) Insert the Side Panels into the same Top/Bottom Panel from step 3 until fully seated.



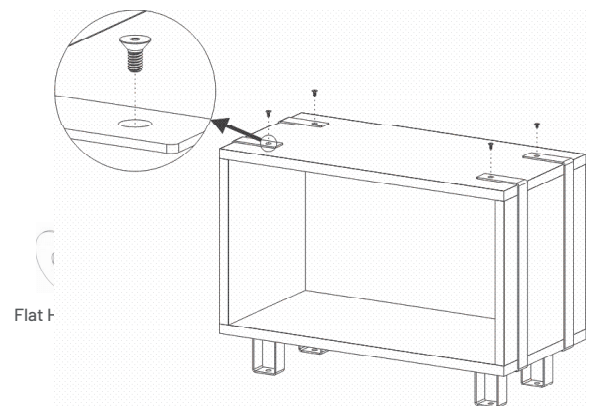
- 7) Screw 1 Flat Head screw into the threaded inserts in the Top/Bottom Panel to secure each Leg Assembly from the bottom.



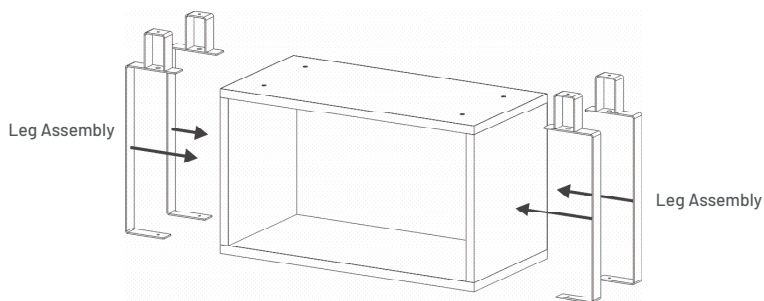
- 5) Attach the last Top/Bottom Panel to the assembly from step 4 until fully seated.



- 8) Screw 1 Flat Head screw into the threaded inserts in the Top/Bottom Panel to secure each Leg Assembly from the top OR assemble and stack another storage unit on top to secure them together. Stack up to 3 units high.



- 6) Slide the Leg Assemblies onto the assembly from step 5 so the holes are aligned.



OR

