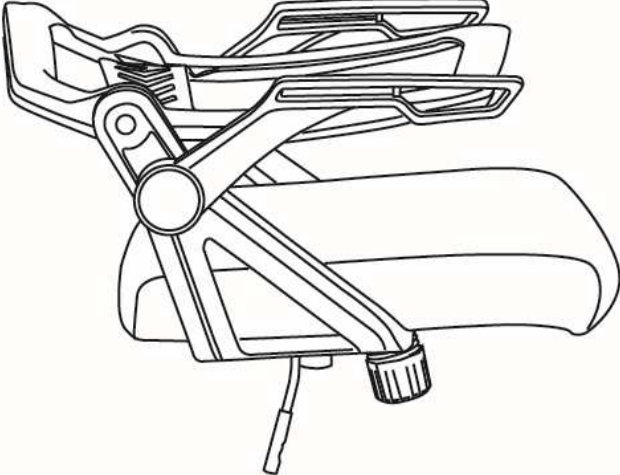
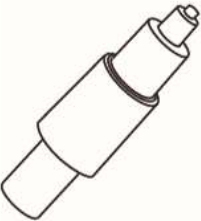

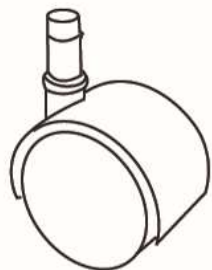
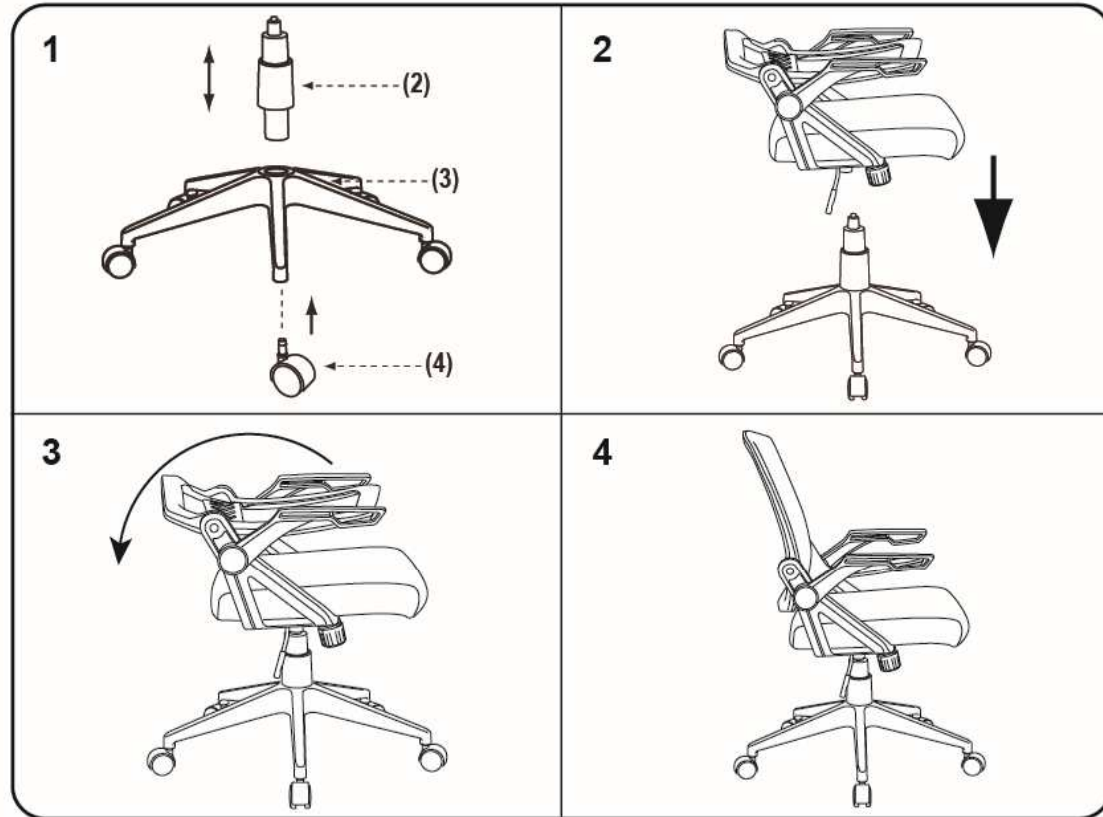


MODEL : B6223

(1)x1		
		
(2)x1	(3)x1	(4)x5
		
GAS LIFT W/ COVER	BASE	CASTER



**Insert and loosely tighten all screws. When assembly is completed, fully tighten all screws before using. This chair is only intended for sitting. Any other use will void the warranty.**

