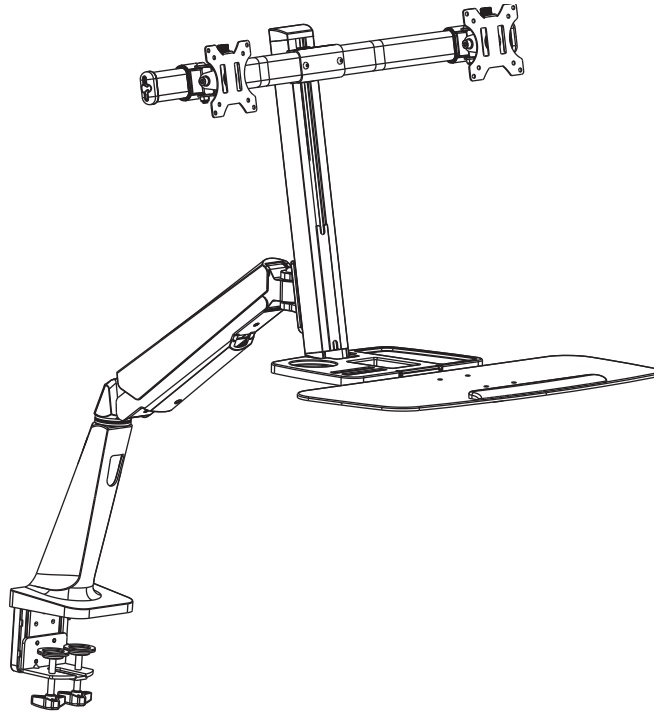




Standing Desk Converter with Height Adjustable Keyboard & Counterbalance Monitor Arm

Installation Instructions



P/N: CE-MT2G12-S1

Unpacking

- Carefully remove the contents and lay them out on cardboard or other protective surface
- Check package contents against the parts list to ensure that all components are received undamaged. Do not use damaged or defective parts
- Carefully read all instructions before attempting installation

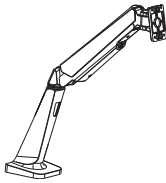
Safety Information

- Use proper safety equipment during installation
- If you don't understand the installation instructions, please consult an installation specialist
- This mount contains small parts which can act as a choking hazard if swallowed
- Do not use this product for any purpose or in any configuration not explicitly specified in these instructions

Tools Required

- Phillips screwdriver
- 3/8" drill bit & electric drill (for grommet hole installation)

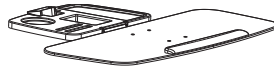
Parts List



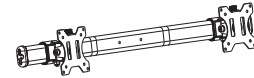
(1x) Extension Arm (A)



(1x) Support Pole (B)



(1x) Keyboard Tray (C)



(1x) VESA Plate with Arm (D)



(1x) C-Clamp Brace (E)



(1x) C-Clamp (F)



(1x) Decorative Cap (G)



(1x) Grommet Bolt (H)



(4x) Bolt (I)



(4x) Bolt (J)



(2x) Bolt (K)



(1x) 4mm Allen Key (L)



(1x) 6mm Allen Key (M)



(1x) Grommet Plate (N)



(2x) Grommet Clamp (O)



(2x) Washer (P)



(2x) Bolt (Q)



(1x) Wrench (R)



(8x) M4x12 Bolt
(M-A)



(8x) M5x12 Bolt
(M-B)



(8x) M4x16 Bolt
(M-C)



(8x) M5x16 Bolt
(M-D)



(8x) D5 Washer
(M-E)



(8x) Spacer
(M-F)

Installation

Caution: This desk mount must be securely attached to the horizontal desktop. If the mount is not properly installed it may fall, resulting in bodily injury and/or property damage.

1A) C-Clamp Installation

1. Install the C-Clamp Brace (E) to the Extension Arm (A), secure them using Bolt (I) with Allen Key (L) turning clockwise until tight, see Figure 1.
2. Install the C-Clamp (F) to the C-Clamp Brace according to the thickness of your desktop.
 - a) Desktops of 10mm-55mm thickness: Select the two upper mounting holes and secure them using Bolt (J) with Allen Key (L) turning clockwise until tight, see Figure 2A.
 - b) Desktops of 40mm-92mm thickness: Select the two lower mounting holes and secure them using Bolt (J) with Allen Key (L) turning clockwise until tight, see Figure 2B.
3. Install the Decorative Cap (G) to the C-Clamp Brace, see Figure 3.
4. Position the Arm Assembly to the desktop. Loosen the clamp screw according to the thickness of the desktop. Tighten the C-Clamp to the desktop by turning the clamp screw clockwise, see Figure 4.

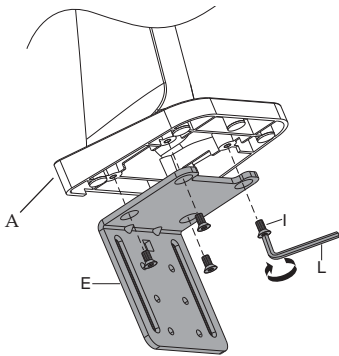


Figure 1

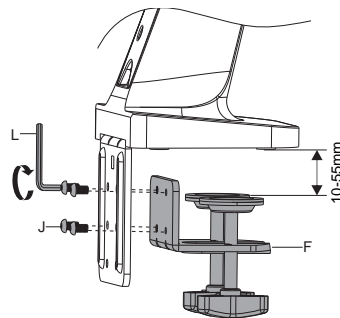


Figure 2A

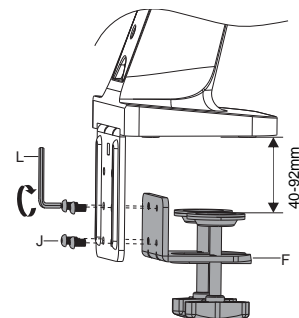


Figure 2B

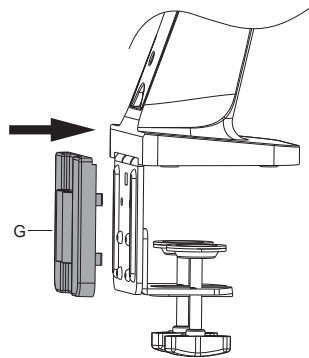


Figure 3

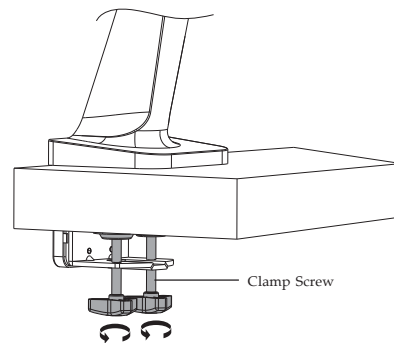


Figure 4

1B) Grommet Hole Installation

This installation requires you to either drill two 3/8" (10mm) diameter holes through the desktop or use an existing grommet hole (2.25" diameter max). **Note:** This mounting type use only with desktops of 10mm-80mm thickness.

Existing Grommet Hole Installation

If the existing grommet hole comes with a plastic protector, remove it to ensure a flat surface before installing the Extension Arm Assembly.

1. Insert the Grommet Bolts (H) into the Grommet Plate (N), see Figure 5
2. Attach the Grommet Plate (N) to the Extension Arm (A), secure them using Bolt (I) with Allen Key (L) turning clockwise until tight, see Figure 5.
3. Position the extension arm assembly onto the desktop at the grommet hole.
4. Secure it using Grommet Clamp (O), Washer (P) and Bolt (Q), see Figure 6.

Self Drilled Grommet Hole Installation

1. Insert the Grommet Bolts (H) into the Grommet Plate (N), see Figure 5
2. Attach the Grommet Plate (N) to the Extension Arm (A), secure them using Bolt (I) with Allen Key (L) turning clockwise until tight, see Figure 5.
3. Position the extension arm assembly onto the desktop at the desired position.
4. Mark the position of each Grommet Bolt, then place the extension arm assembly aside.
Note: Please double check the marked position for accuracy before proceeding to step 5.
5. Drill a 3/8" (10mm) diameter hole through the desktop at the marked positions.
6. Position the extension arm assembly onto the desktop and secure it using Grommet Clamp (O), Washer (P) and Bolt (Q), see Figure 6.

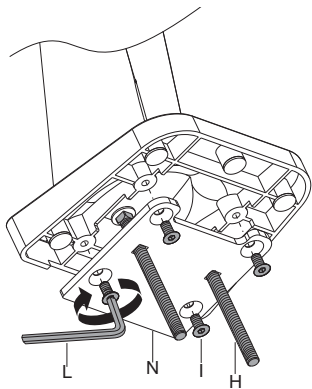


Figure 5

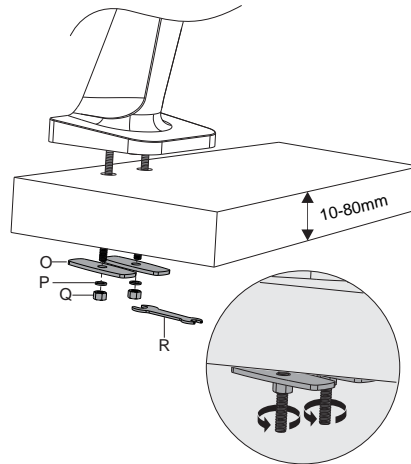


Figure 6



Support Pole with Keyboard Tray Assembly

1. Install the Support Pole (B) into the Keyboard Tray (C), insert Bolt (K) and turn it clockwise using Allen Key (M) until fully tight to secure them, see Figure 7A.
2. Remove the 2 lower mounting bolts, from the Support Pole (B), by turning them counter clockwise using Allen Key (L) and save them for later use, see Figure 7A.
3. Remove the VESA Plate with Arm mounting bracket cover using Allen Key (L) and save the parts for later use, see Figure 7B.

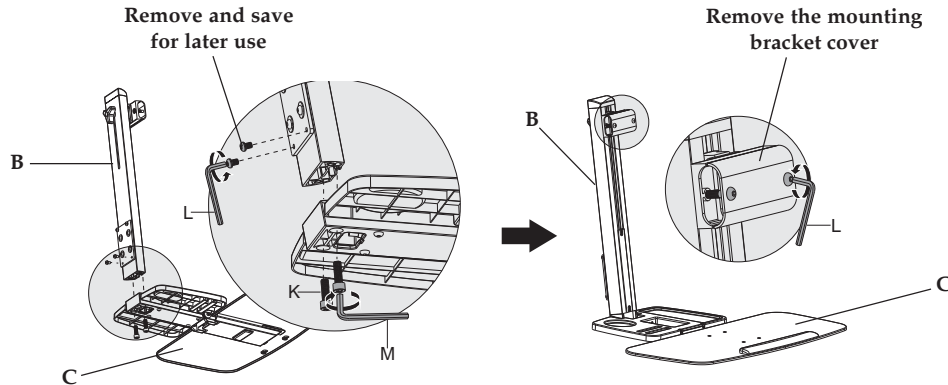


Figure 7A

Figure 7B

4. Position the VESA Plate with Arm (D) onto the Support Pole (B), reinstall the mounting bracket cover and bolts removed in step 3 to secure it to the support pole, see Figure 8.

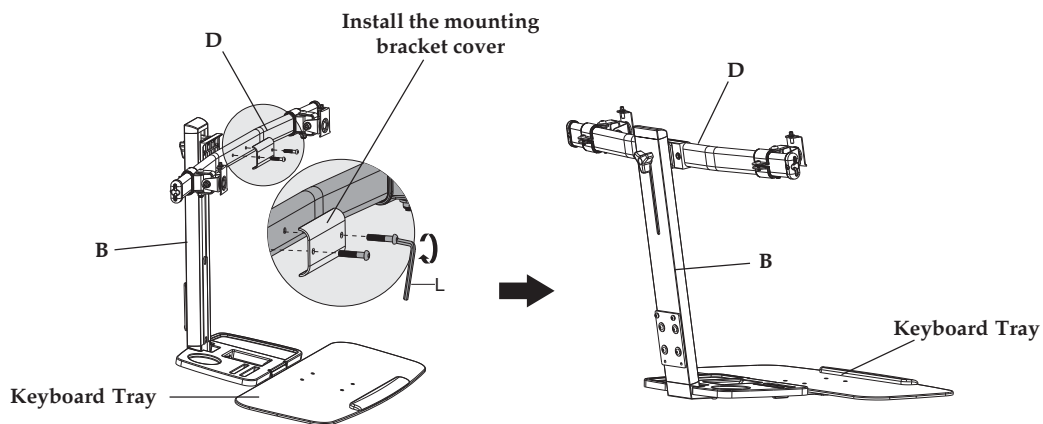
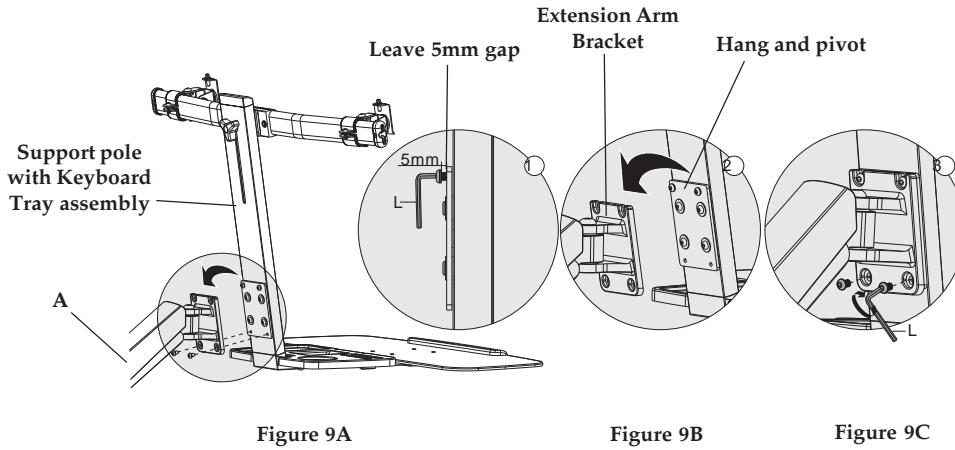


Figure 8

5. Use Allen Key (L) loosen the 2 upper bolts, located on the Support Pole (B), by turning them counter clockwise, leave a 5mm gap, see Figure 9A.
6. Hang the support pole with keyboard tray assembly onto the extension arm bracket using the upper mounting bolts and pivot until it rests on the bracket, see Figure 9B.
7. Install the bolts removed in Step 3 into the lower mounting holes and tighten all bolts with Allen Key (L) until fully tight, see Figure 9C.



8. Remove the VESA plates from the Mounting Arm. Using a Phillips screwdriver, turn the mounting screw counter clockwise to remove it, then slide the VESA plate away from the mounting arm, see Figure 10 . **Note:** Save the removed parts for later use.

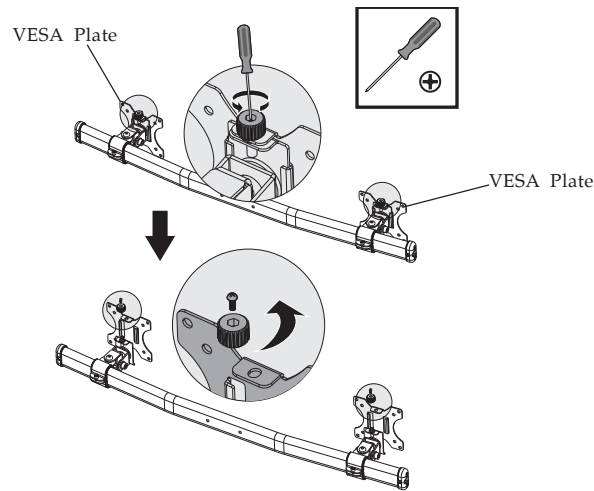


Figure 10

Mounting the Monitor to the VESA Plate and Mounting Arm

1. Turn the VESA Plate so the tab faces up, then mount it onto the monitor, see Figure 11A.
2. Install Washer (M-E) with Bolt (M-A/M-B) into the monitor's mounting holes, tighten them using a Phillips screwdriver until fully tight, see Figure 11B.
3. If your display has a curved back or recessed thread mounting point, a Spacer (M-F) must be used. Then choose Bolt (M-C/M-D) to match. Place the Spacer (M-F) between the VESA plate and display, see Figure 11C.

Note: When assembling/disassembling the monitor, the spring arm rebound tension may cause serious personal injury if not handled correctly.

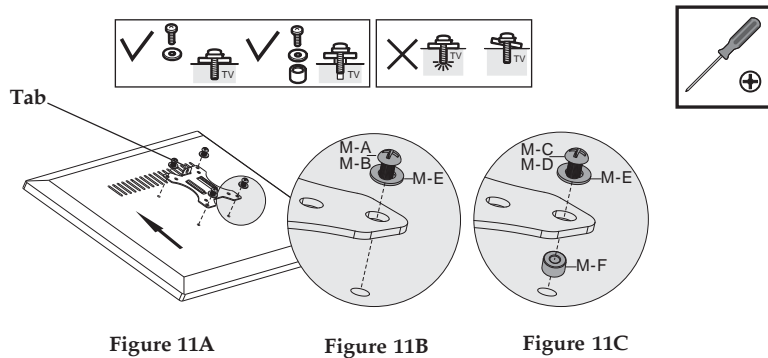


Figure 11A

Figure 11B

Figure 11C

4. Mount the monitor with VESA Plate onto the Mounting Arm and secure it using a Phillips screwdriver, see Figure 12.

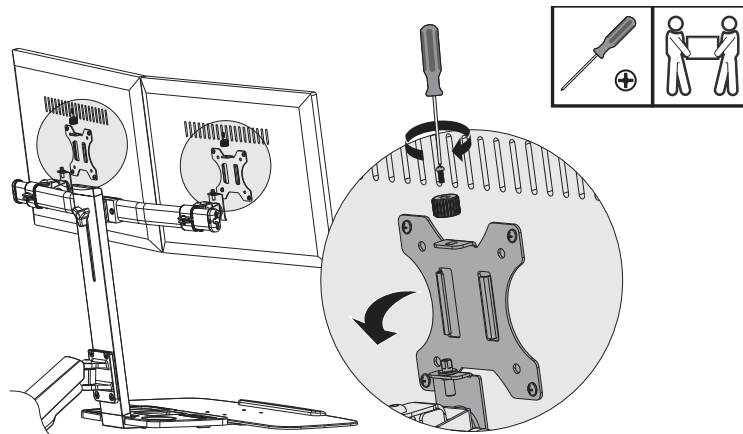


Figure 12

Final Adjustments and Arranging the Cables

Gas Spring, Tilt, Swivel and Height Adjustment

1. Adjust the tension of the gas spring using Allen Key (M), turn the screw counter clockwise to increase the tension (for heavier monitors) and clockwise to decrease the tension (for lighter monitors), see Figure 13.

Gas Spring Tension: Turn the screw counter clockwise to increase and clockwise to decrease the tension

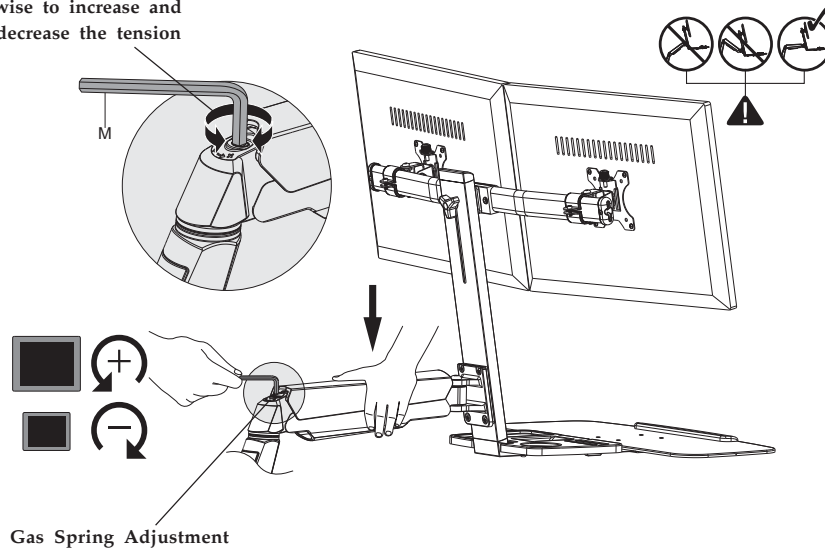


Figure 13

2. Adjust tightness of the Monitor Tilt and Swivel using Allen Key (M). Adjust monitor height using the Height Adjustment Knob, see Figure 14.

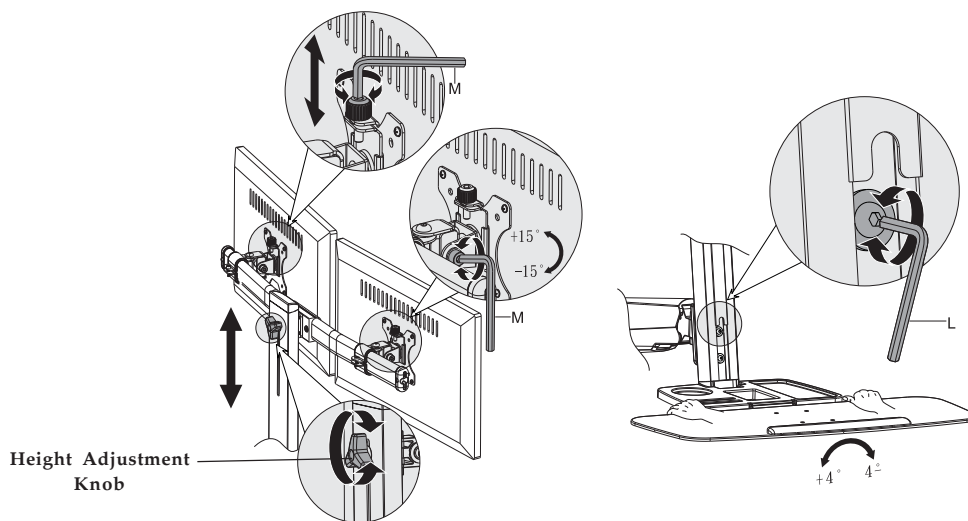


Figure 14

Keyboard Tray

The keyboard tray can be placed in 90 degree, 10 degree or 0 degree orientation to meet your needs. A convenient Allen Key holder is included for safe storage, see Figure 15.

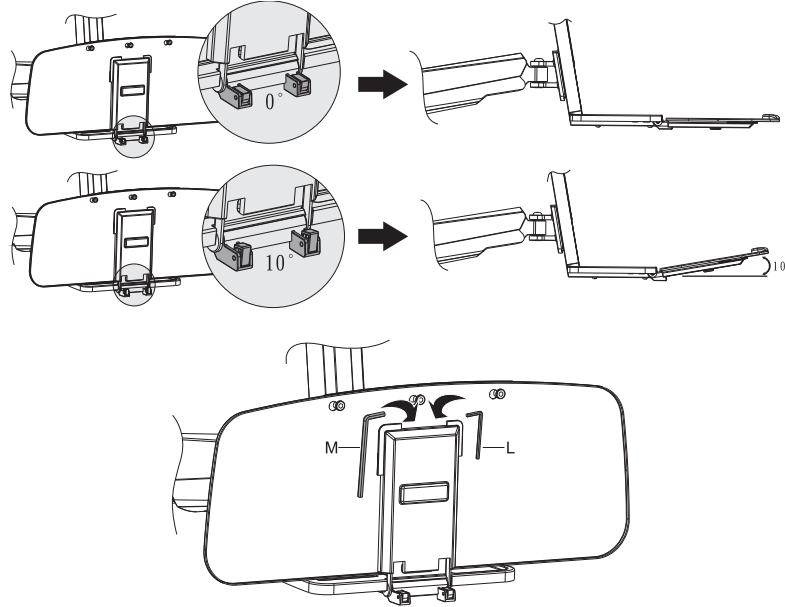


Figure 15

Arrange the Cables into the Cable Management Covers

1. Remove the cable management covers from the mounting arms using a Phillips screwdriver, see Figure 16.

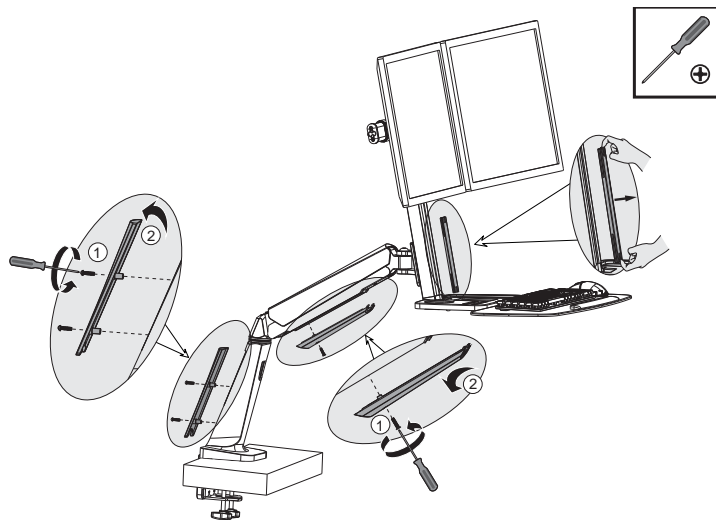


Figure 16

2. Arrange the cables then install the cable management covers back onto the arms, see Figure 17.

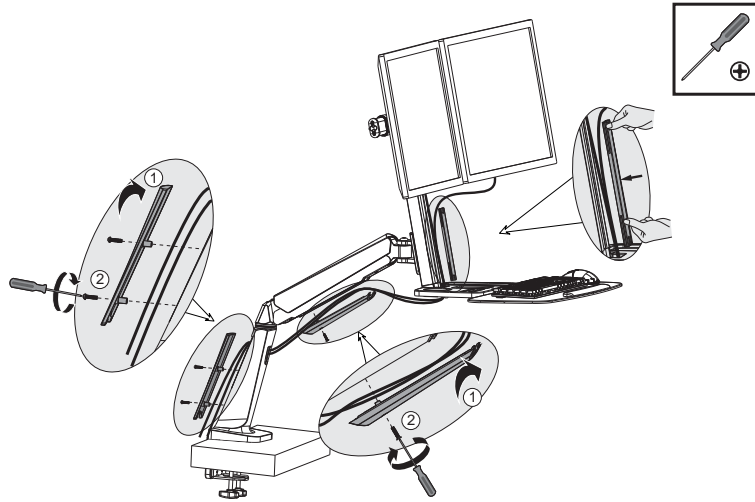


Figure 17

Adjust the Monitor to the Desired Viewing Angle

This Standing Desk Converter allows virtually limitless viewing angles. It can move (left and right, up and down), tilt, swivel and rotate, see Figure 18.

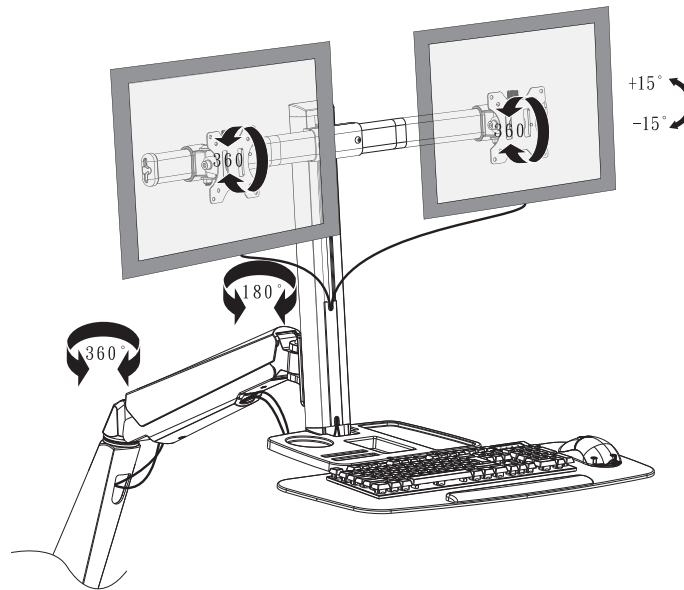


Figure 18

Maintenance

Check the mounting hardware every two months for tightness.



Blank Page



Technical Support and Warranty

QUESTIONS? SIIG's **Online Support** has answers! Simply visit our web site at www.siig.com and click **Support**. Our online support database is updated daily with new drivers and solutions. Answers to your questions could be just a few clicks away. You can also submit questions online and a technical support analyst will promptly respond.

SIIG offers a 3-year manufacturer warranty with this product. This warranty covers the original purchaser and guarantees the product to be free of any defects in materials or workmanship for three (3) years from the date of purchase of the product. This warranty is not transferable and is available only to the original purchaser of the product.

SIIG will, at our discretion, repair or replace (with an identical product or product having similar features and functionality) the product if defective in materials or workmanship. This warranty gives you specific legal rights, and you may also have other rights which vary from state to state. Please see our web site for more warranty details.

If you encounter any problems with this product, please follow the procedures below.

A) If it is within the store's return policy period, please return the product to the store where you purchased from.

B) If your purchase has passed the store's return policy period, please follow the steps below to have the product repaired or replaced.

Step 1: Submit your RMA request.

Go to www.siig.com, click **Support**, then **Request A Product Replacement** to submit a request to [SIIG RMA](#) or fax a request to 510-657-5962. Your RMA request will be processed, if the product is determined to be defective, an RMA number will be issued.

Step 2: After obtaining an RMA number, ship the product.

- Properly pack the product for shipping. All accessories that came with the original package must be included.
- Clearly write your RMA number on the top of the returned package. SIIG will refuse to accept any shipping package, and will not be responsible for a product returned without an RMA number posted on the outside of the shipping carton.

- You are responsible for the cost of shipping to SIIG. Ship the product to the following address:

SIIG, Inc.

6078 Stewart Avenue

Fremont, CA 94538-3152, USA

RMA #: _____

- SIIG will ship the repaired or replaced product via Ground in the U.S. and International Economy outside of the U.S. at no cost to the customer.

About SIIG, Inc.

Founded in 1985, SIIG, Inc. is a leading manufacturer of IT connectivity solutions (including Serial ATA and Ultra ATA Controllers, FireWire, USB, and legacy I/O adapters) that bridge the connection between Desktop/Notebook systems and external peripherals. SIIG continues to grow by adding A/V and Digital Signage connectivity solutions to our extensive portfolio. All centered around the distribution and switching of A/V signals over CAT5/6, these products include matrix switches, distribution amplifiers, extenders, converters, splitters, cabling, and more.

SIIG is the premier one-stop source of upgrades and is committed to providing high quality products while keeping economical and competitive prices. High-quality control standards are evident by one of the lowest defective return rates in the industry. Our products offer comprehensive user manuals, user-friendly features, and most products are backed by a lifetime warranty.

SIIG products can be found in many computer retail stores, mail order catalogs, and e-commerce sites in the Americas, as well as through major distributors, system integrators, and VARs.

PRODUCT NAME

Standing Desk Converter With Height Adjustable Keyboard
& Counterbalance Monitor Arm

Standing Desk Converter With Height Adjustable Keyboard & Counterbalance Monitor Arm is a trademark of SIIG, Inc. SIIG and the SIIG logo are registered trademarks of SIIG, Inc. All other names used in this publication are for identification only and may be trademarks of their respective owners.