

Designed for maximum sanitary use, this top-down bath tissue dispenser offers double tissue roll capacity with minimal roll exposure.

1. DISPENSER MOUNTING

See the reverse side for the mounting instructions and the mounting template.

2. DISPENSER COVER

The cover can be opened with the supplied key that is included in the package. Insert the key into the slot at the top of the cover. Push down and pull forward and the cover will open.

3. PAPER ROLL LOADING & START-UP

For use with the LoCor bath tissue only (SKU numbers 26821 and 26824). Other types of tissue are not acceptable.

For the start-up, first open the cover. To load the top tissue roll, **swing** the mandrel (on the top) outward, slide the core of the tissue roll onto the mandrel and swing the mandrel back horizontally.

To load the bottom tissue roll, **slide** the bottom mandrel outward and then slide the core of the tissue roll onto the bottom mandrel. Slide the bottom mandrel back until the roll is in contact with the back of the body.

Loosen the “paper tails” on both of the tissue rolls (the “tails” are glued to the roll initially). Be sure that the “tail” of the bottom roll is visible at the bottom of the dispenser. Close the cover. The dispenser is now ready to dispense.

4. RESERVE ROLL ACCESS

When there is no more tissue on the bottom roll, push the bottom mandrel all the way to the back of the dispenser and the reserve roll will drop down.

9. DIAGNOSTICS

If there is no more tissue on the bottom roll and the bottom mandrel cannot be pushed backward (which prevents you from using the reserve roll), open the cover for examination. **Do not** use extra force on the mandrel; that may result in broken parts.

For further assistance, contact technical dispenser support at (920) 940-8904.

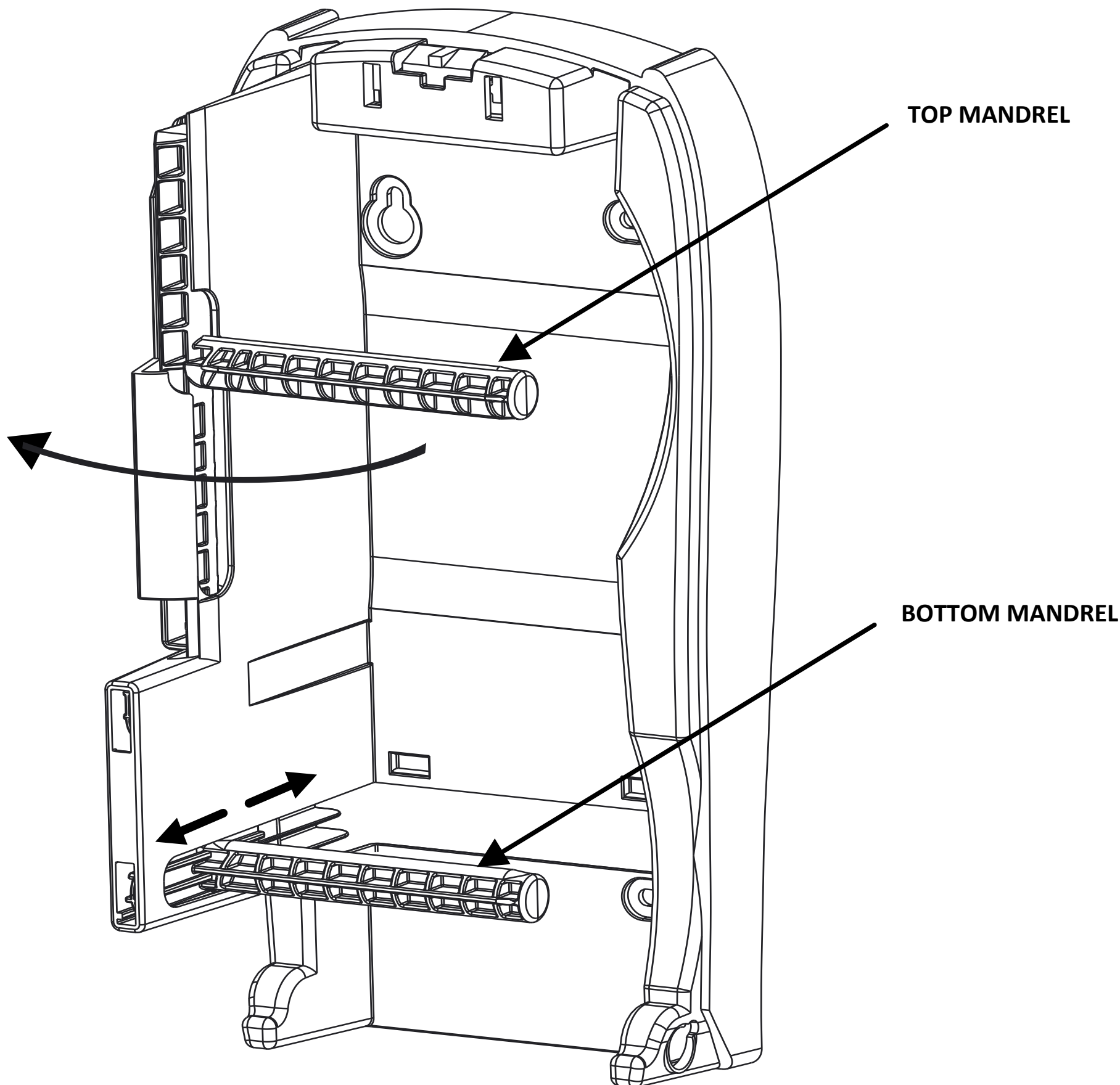


FIGURE 1.

Mounting Instructions

Tools:

- Screwdriver
- Power Drill with appropriate drill size
- Pencil
- Level and Tape Measure

Step 1

Measure a minimum of **18"** from the floor to the bottom of the dispenser, as marked on template.

Step 2

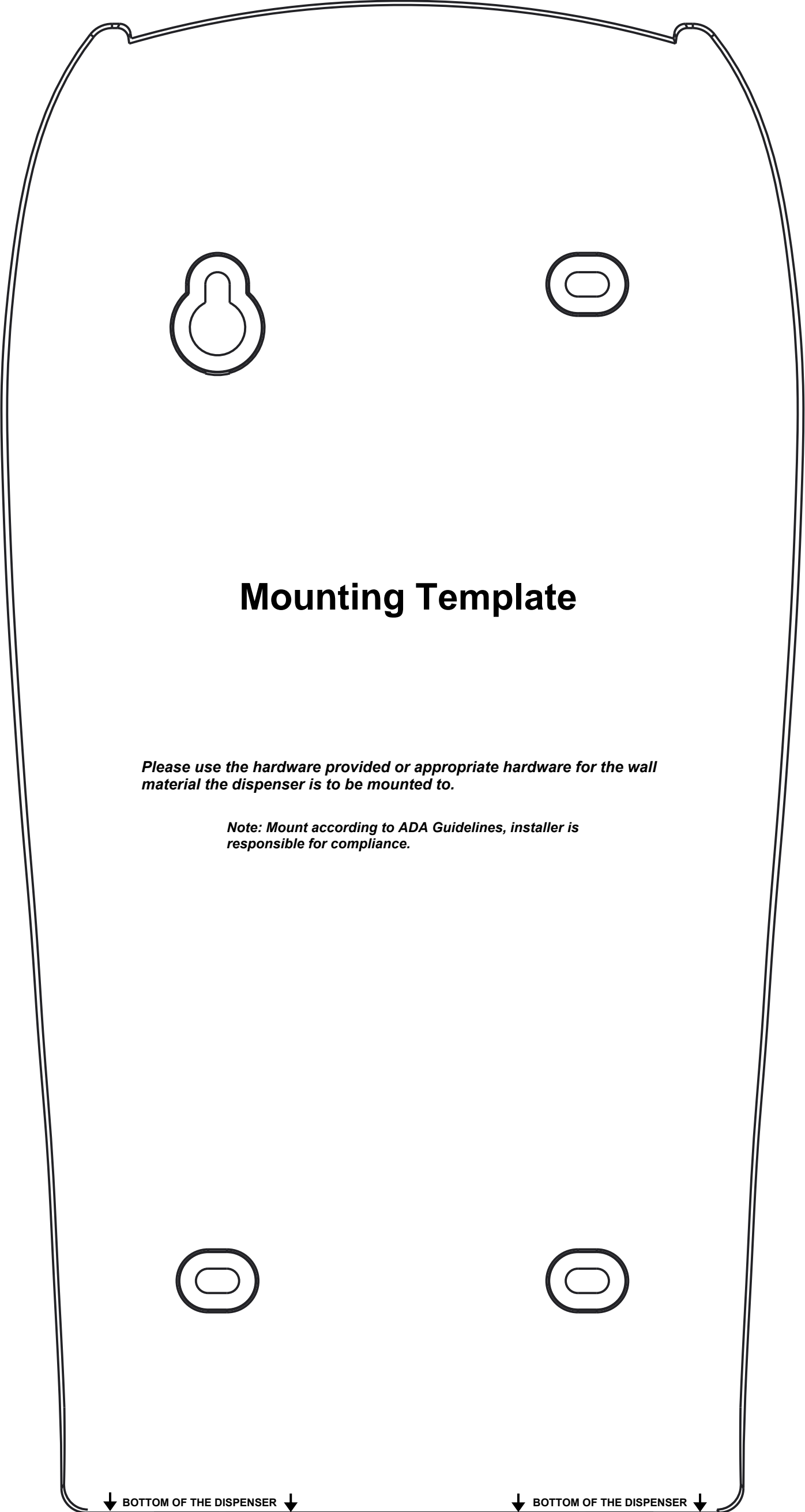
Place a **level** at the bottom of the dispenser marked on template, level template and tape onto wall. Mark the 4 mounting holes at the hole centers. Remove template and drill 4 pilot holes.

Step 3

Fasten the top left screw to the wall, leaving a gap between the screw head and the wall to all allow the dispenser to slide over.

Step 4

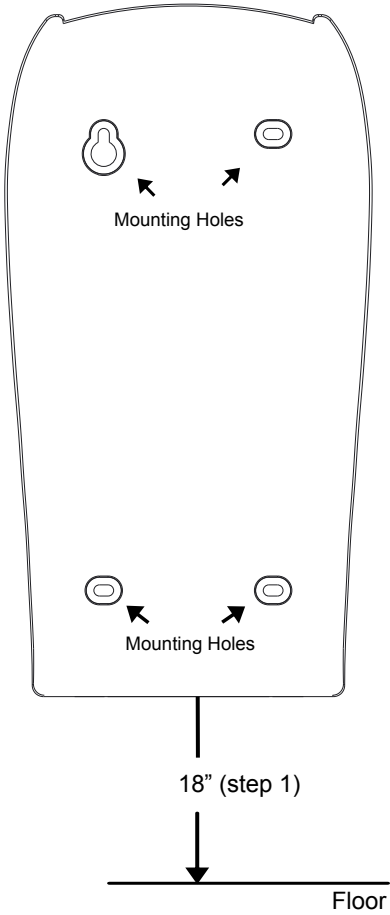
Hang the dispenser on the installed screw. Fasten remaining 3 mounting screws. Be sure to securely tighten all screws.



Mounting Template

Please use the hardware provided or appropriate hardware for the wall material the dispenser is to be mounted to.

Note: Mount according to ADA Guidelines, installer is responsible for compliance.



18" (step 1)

Floor

↓ BOTTOM OF THE DISPENSER ↓

↓ BOTTOM OF THE DISPENSER ↓

↑ Place **level** here (step 2)