


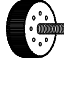


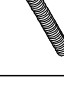


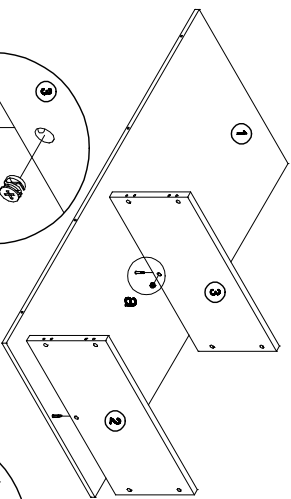


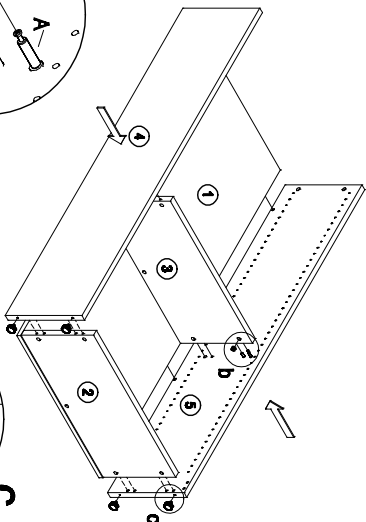
Assembly Instructions
MODEL NO.:68722/68723
 The Shelf Bookcase

A	 Cam Lock 24/Pcs	B	 Klix Cam 24/Pcs	C	 Dowel 12/Pcs	D	 Adjustable Glide 4/Pcs	E	 Sheet dowel 12/Pcs	F	 Aluminum Supports 4/Pcs	G	 Screw M6*70 4/Pcs	H	 Screw M6*30 8/Pcs	I	 Cam Cover 24/Pcs
----------	---	----------	---	----------	--	----------	--	----------	--	----------	---	----------	---	----------	---	----------	--

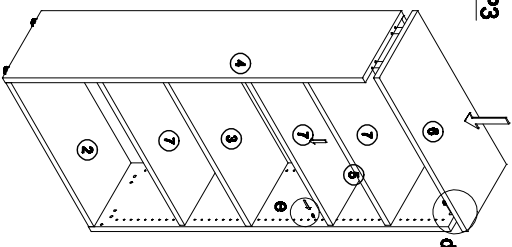
STEP1


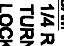


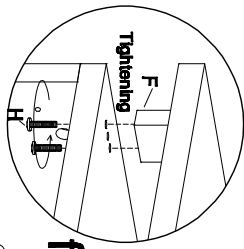
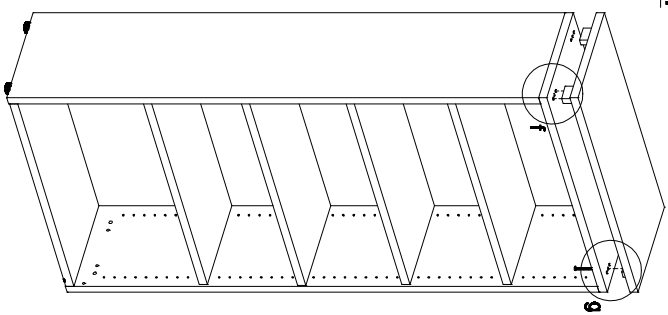
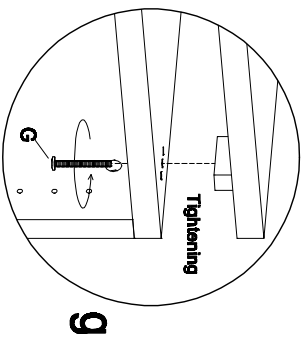
STEP2 **STEP4**



STEP3

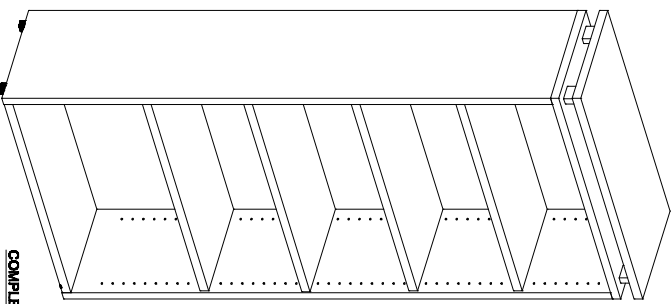


IMPORTANT:
 FUNCTION OF KLIX CAM

 1/4 RIGHT
 TURN FOR
 LOCKING

 MAKE SURE THE ARROW IS
 POINTING UPWARDS BEFORE
 INSERTING INTO THE PANEL'S HOLE.



IMPORTANT NOTE:

- Place all laminated parts on a clean and smooth surface such as a rug or carpet to avoid the parts from being scratched.
- Check to be sure that you have all parts and hardware.
- Remove all wrapping materials, including staples & packing straps before you start to assemble.
- Don't tighten all screws/bolts until all completely assembled.
- Keep all hardware parts out of reach of children.
- It is recommended to require 2 persons to complete the assembly.



COMPLETED ASSEMBLY