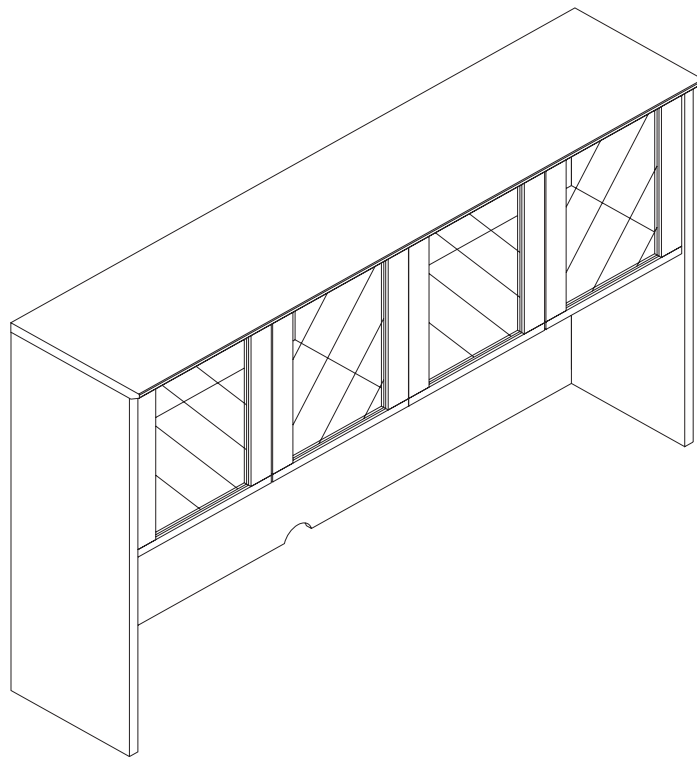







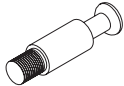
Tiffany Industries™  
A MAYLINE GROUP COMPANY





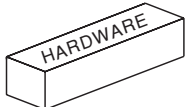
# Corsica Hutch, Glass Doors Model No. CHTCG66/72/84



**ASSEMBLY INSTRUCTIONS**  
**CALL 1-800-822-8037 FOR ASSISTANCE**


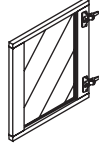

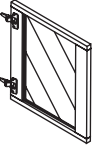

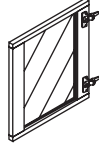

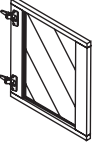
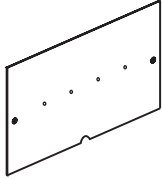

# PARTS LIST

Name	Part	Qty.	Spare Qty
<b>A*</b>	 HB REALS001 Cam Fastener	<b>12</b>	<b>1</b>
<b>B*</b>	 HB REALS002 Cam Cap	<b>8</b>	<b>1</b>
<b>C*</b>	 HB REALS004 Wood Dowel	<b>12</b>	<b>1</b>
<b>D*</b>	 HB REALS003 Cam Post	<b>12</b>	<b>1</b>

Name	Part	Qty.	Spare Qty
<b>E*</b>	 HB REALS018 4mm x 14mm	<b>4</b>	<b>1</b>
<b>F*</b>	 HB REALS006 Cap	<b>4</b>	
<b>G</b>	 REALS046 4mm x 25mm	<b>4</b>	<b>1</b>
<b>H*</b>	 REALS042 Connection Bracket	<b>2</b>	
	 HARDWARE CHTCHB		

items with HB are in the hardware box.  
 \*For Individual Items, Order By Part Number.  
 \*\* Denotes Color Code

# PARTS LIST

Name	Part	Qty.	Name	Part	Qty.
<b>K*</b>	 CHTC~~K** Top	<b>1</b>	<b>O1*</b>	 CHTCG~~O Left Outside Door	<b>1</b>
<b>L1*</b>	 CHTCL1** Left Panel	<b>1</b>	<b>O2*</b>	 CHTCG~~O Left Inside Door	<b>1</b>
<b>L2*</b>	 CHTCL2** Right Panel	<b>1</b>	<b>O3*</b>	 CHTCG~~O Right Inside Door	<b>1</b>
<b>M*</b>	 CHTC~~M** Shelf	<b>1</b>	<b>O4*</b>	 CHTCG~~O Right Outside Door	<b>1</b>
<b>N*</b>	 CHTC~~N** Back Panel	<b>1</b>	<b>P*</b>	 CHTCP** Center Support	<b>1</b>

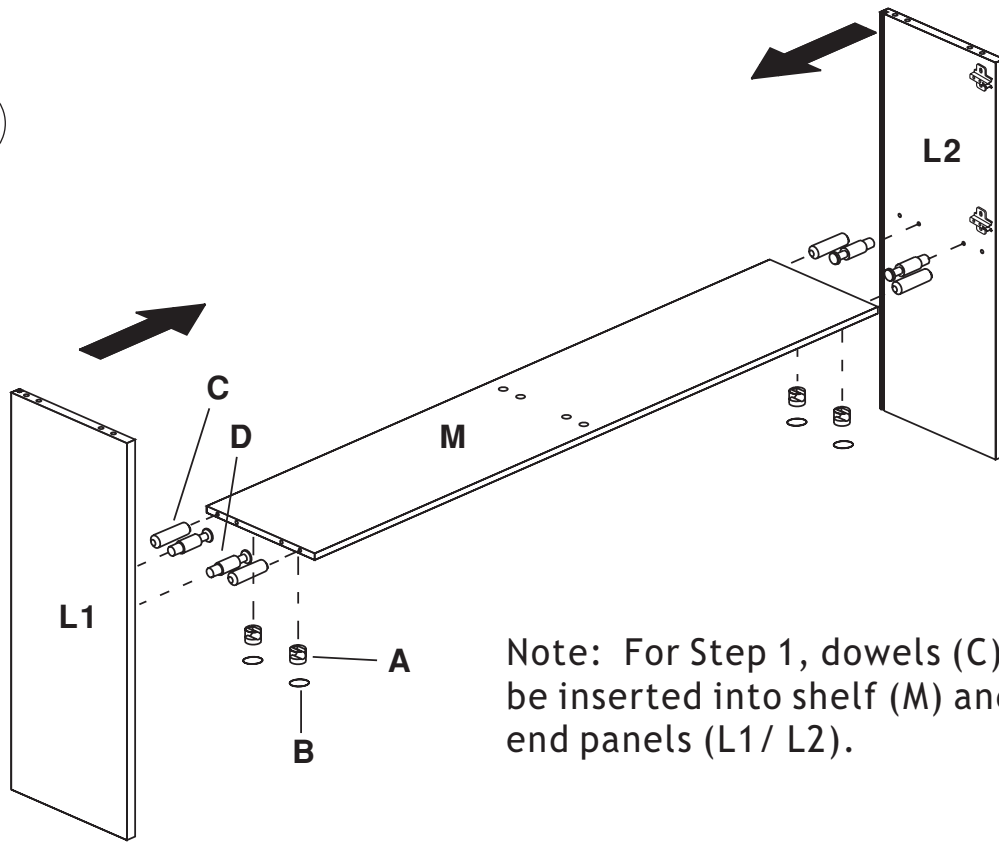
\*NOTE: When ordering replacement doors (CHTCG~~O) you will get a PAIR of doors.

\*For Individual Items, Order By Part Number.

\*\* Denotes Color Code

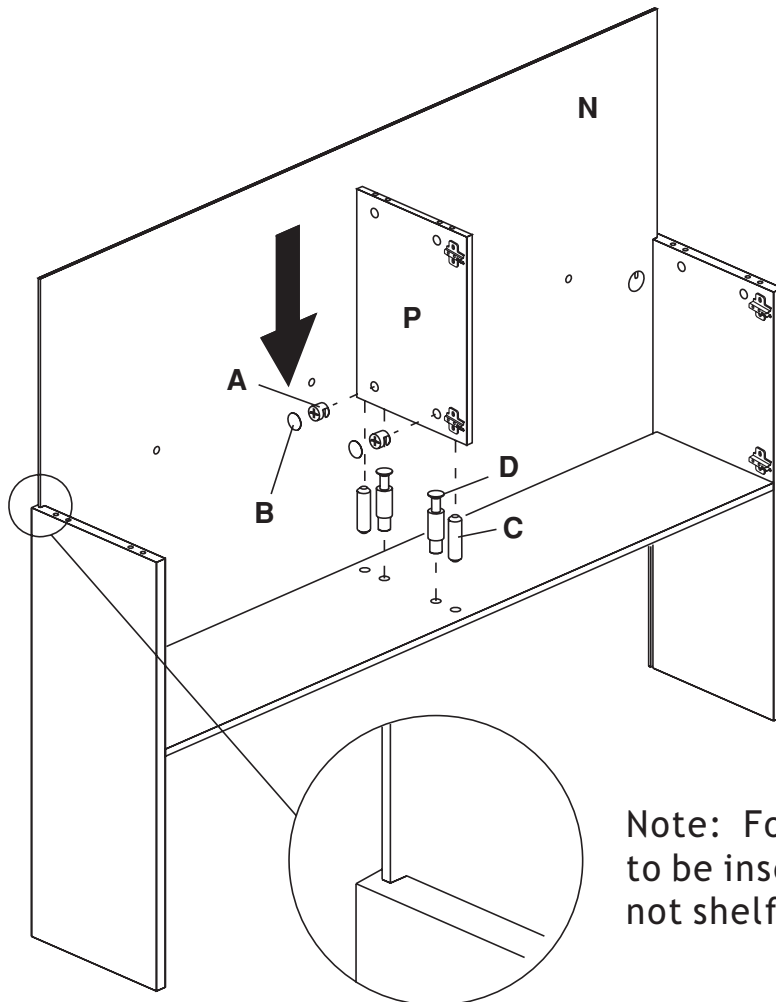
~~ Denotes Size (66, 72, 84)

1



Note: For Step 1, dowels (C) are to be inserted into shelf (M) and not end panels (L1/ L2).

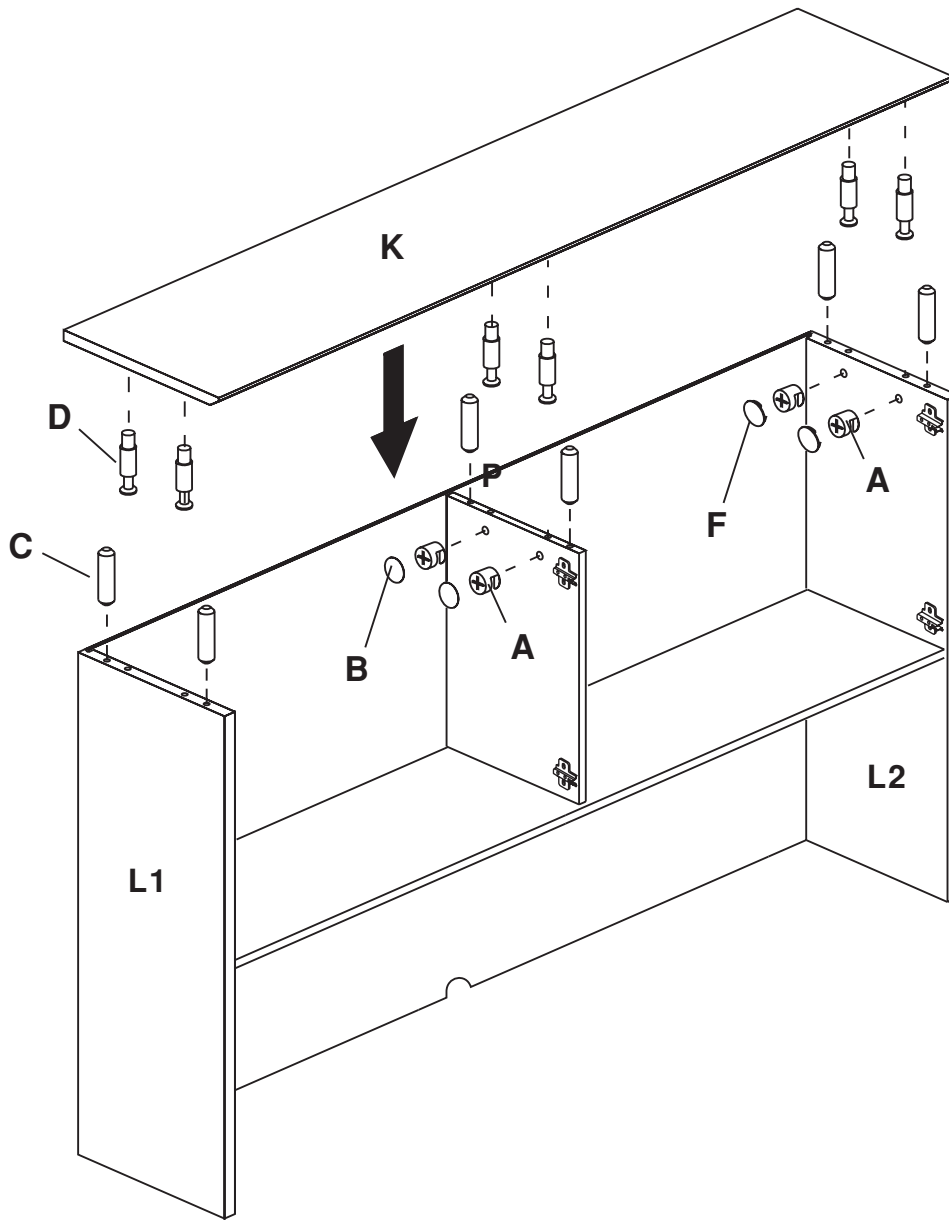
2



Note: For Step 2, dowels (C) are to be inserted into divider (P) and not shelf (M).

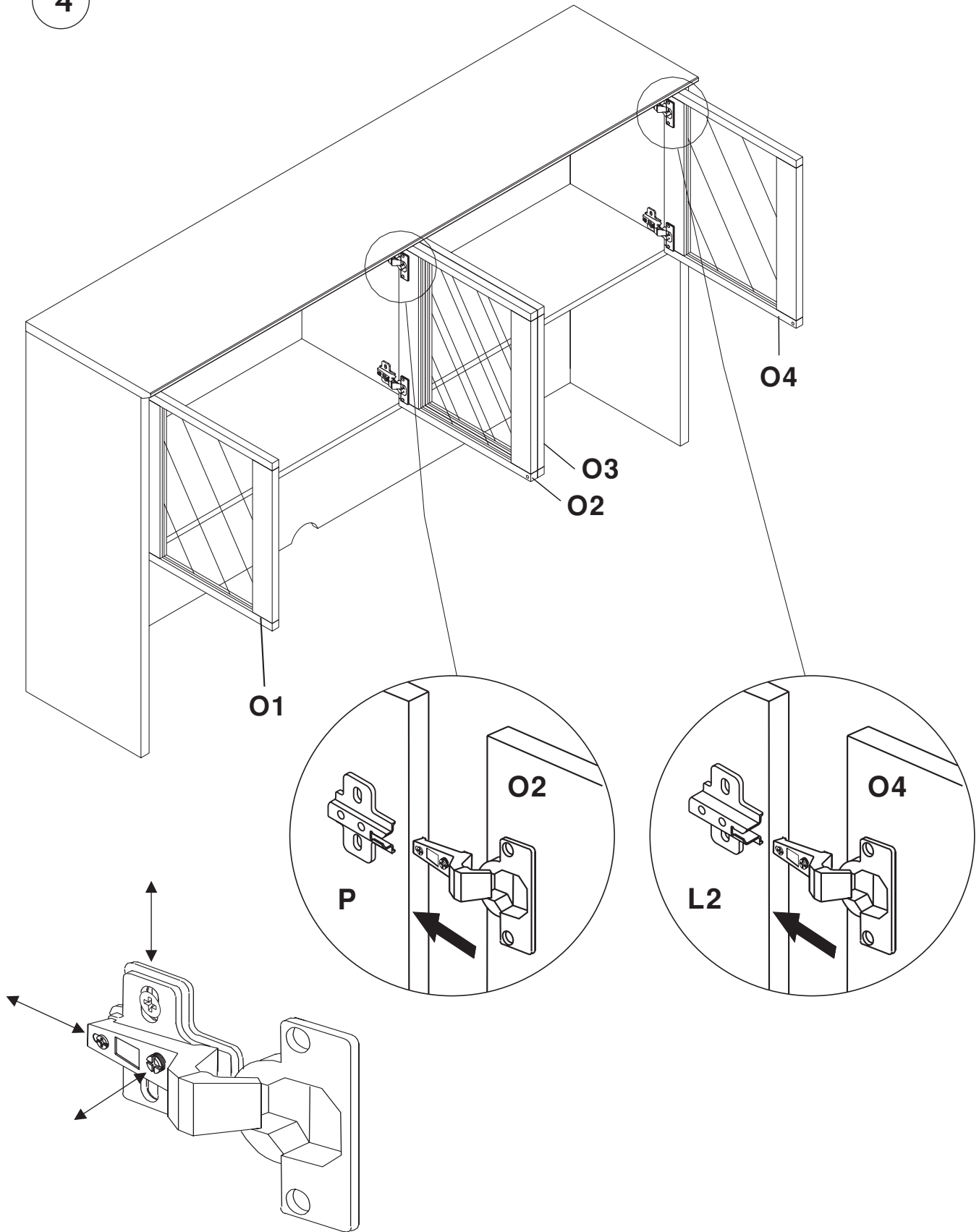
3

3



Note: For Step 3, dowels (C) are to be inserted into end panels (L1/L2) and center support (P) and not top (K).

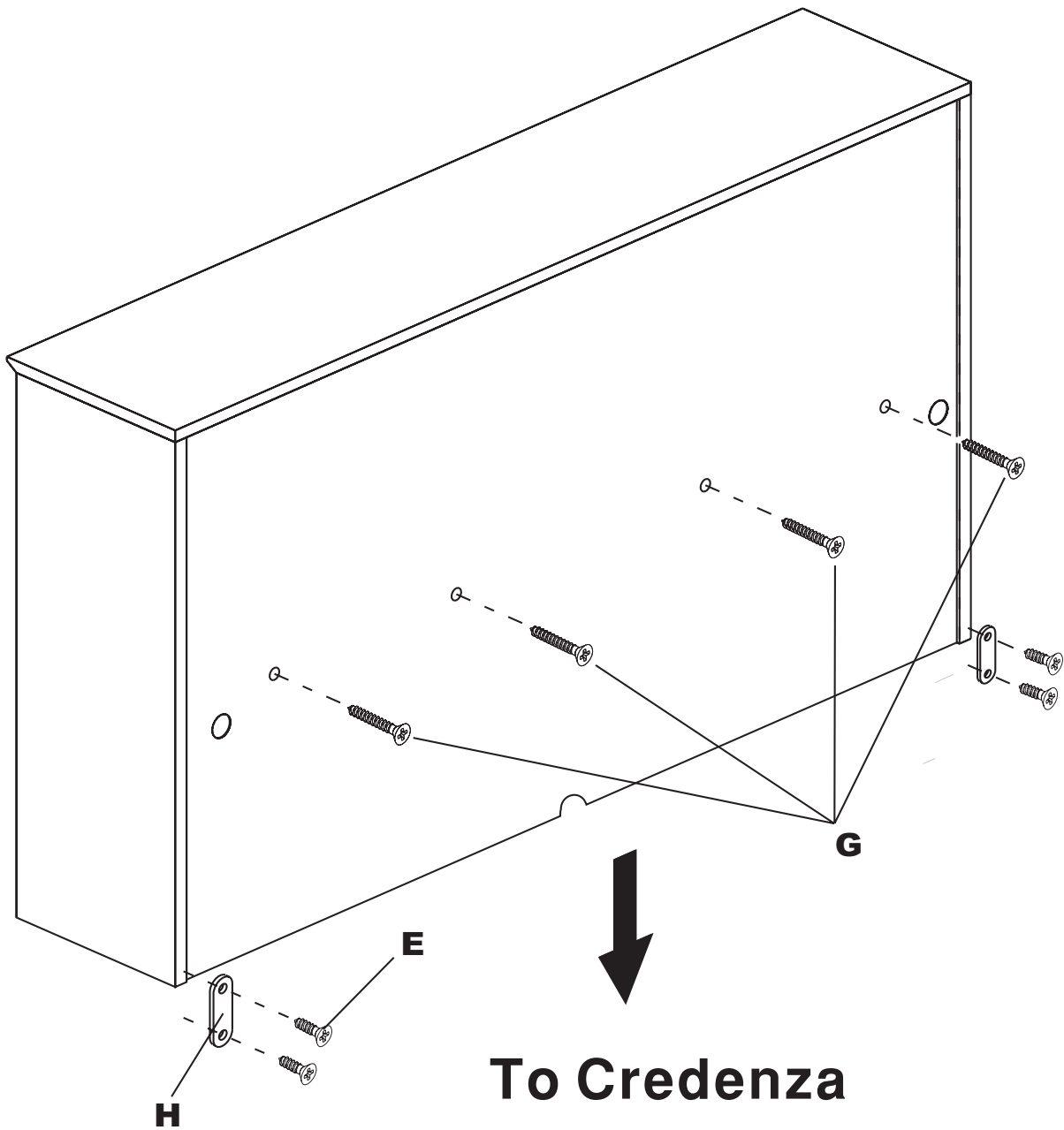
4



Note: Adjust doors alignment as necessary by using the adjustment screws on the hinges.

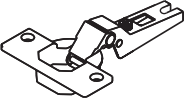
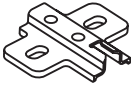
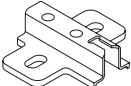


5

5



6

# Pre-Assembled Replacement Part List

Replacement #	Part	Qty.
<b>REALS051*</b>	 Hinge-Raised Arm	<b>1</b>
<b>REALS013P*</b>	 Hinge Plate-Short	<b>1</b>
<b>REALS051P*</b>	 Hinge Plate-Tall	<b>1</b>
<b>REALS018*</b>	 Hinge Screw 4 x 14mm	<b>1</b>
<b>REALS104*</b>	 Grommet 35mm	<b>1</b>

\*For Individual Items, Order By Part Number.