

Hanging Folder Frame

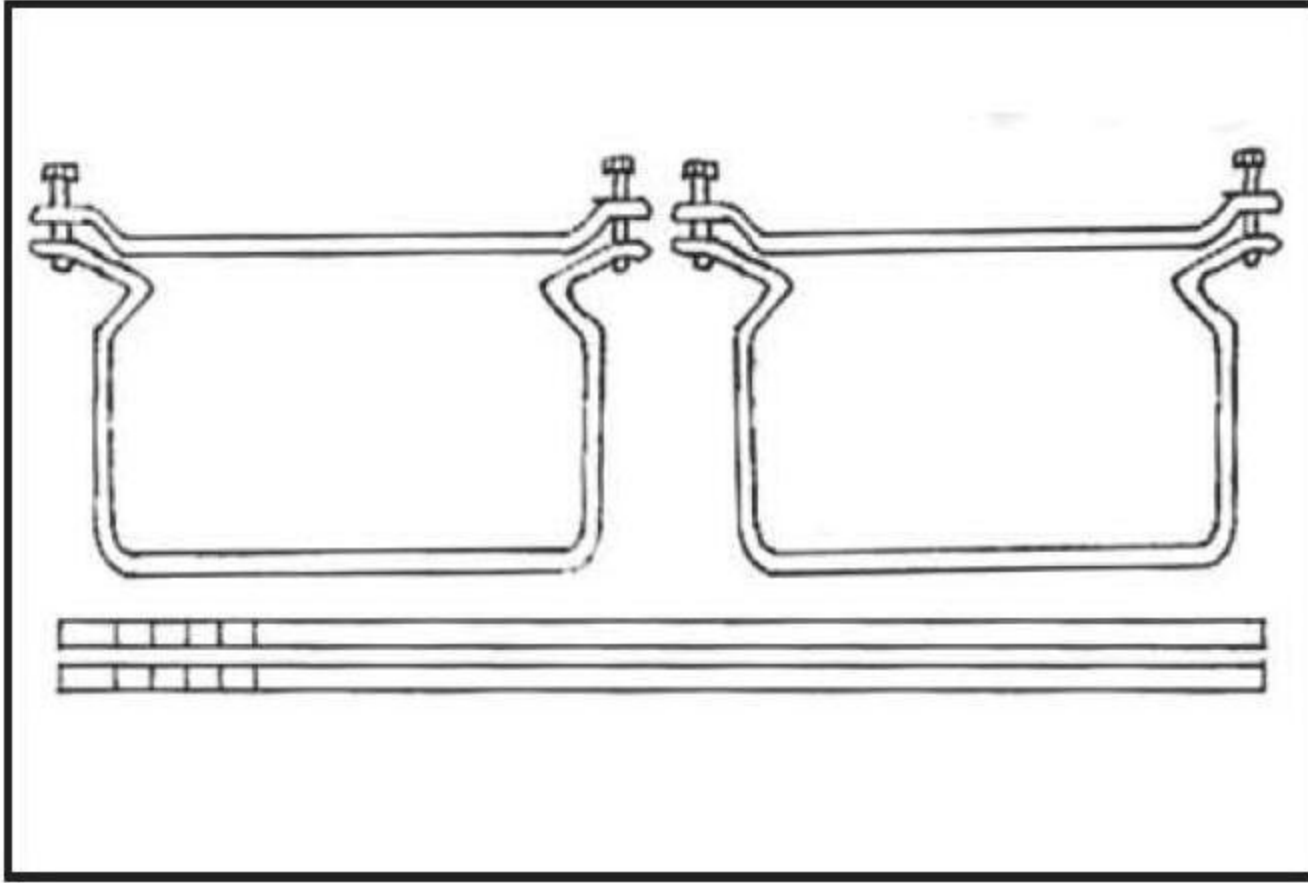


Fig-1: A set of two rails and two end units.

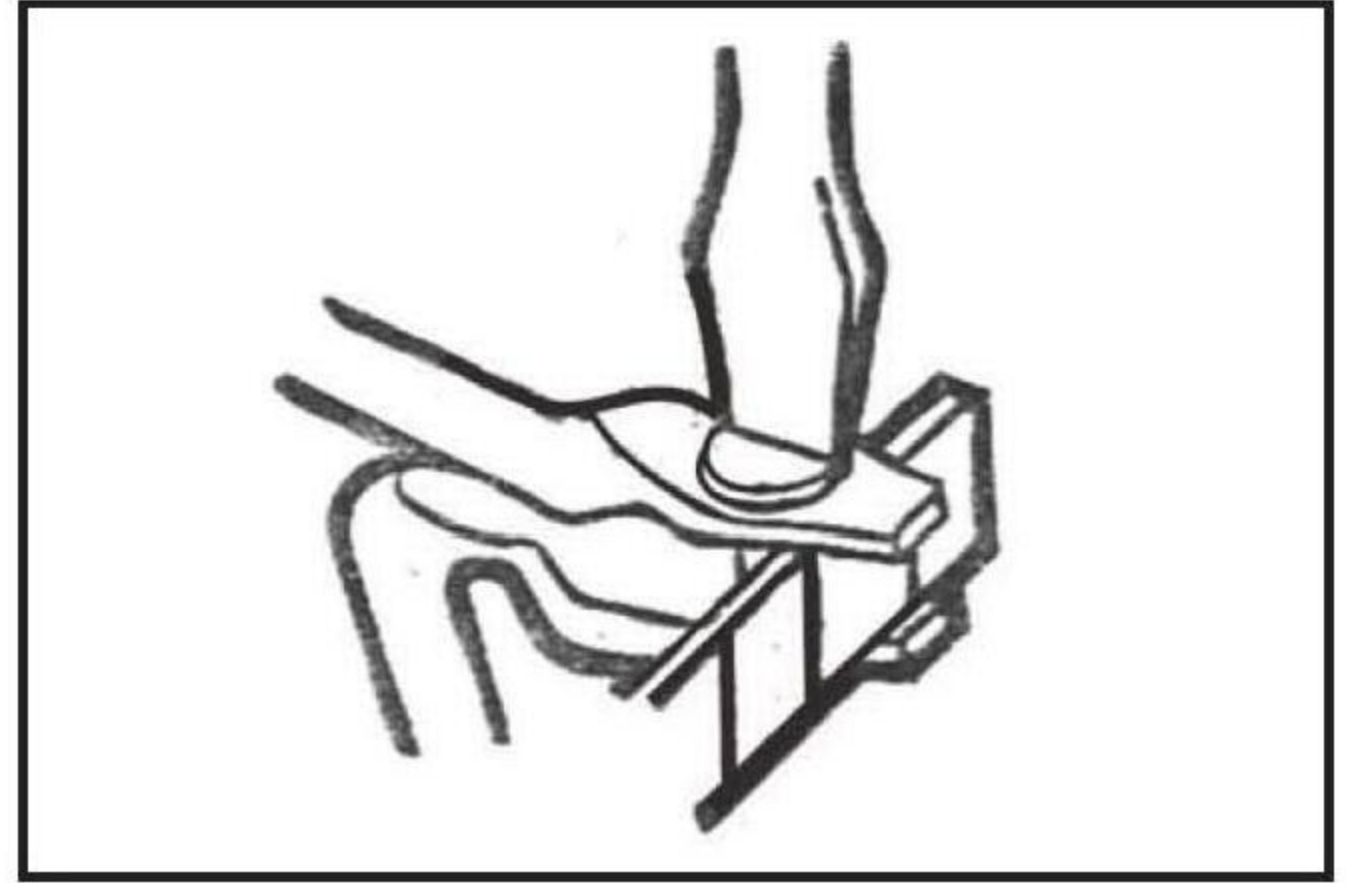


Fig-4: Tighten screw with screwdriver or coin to secure rail.

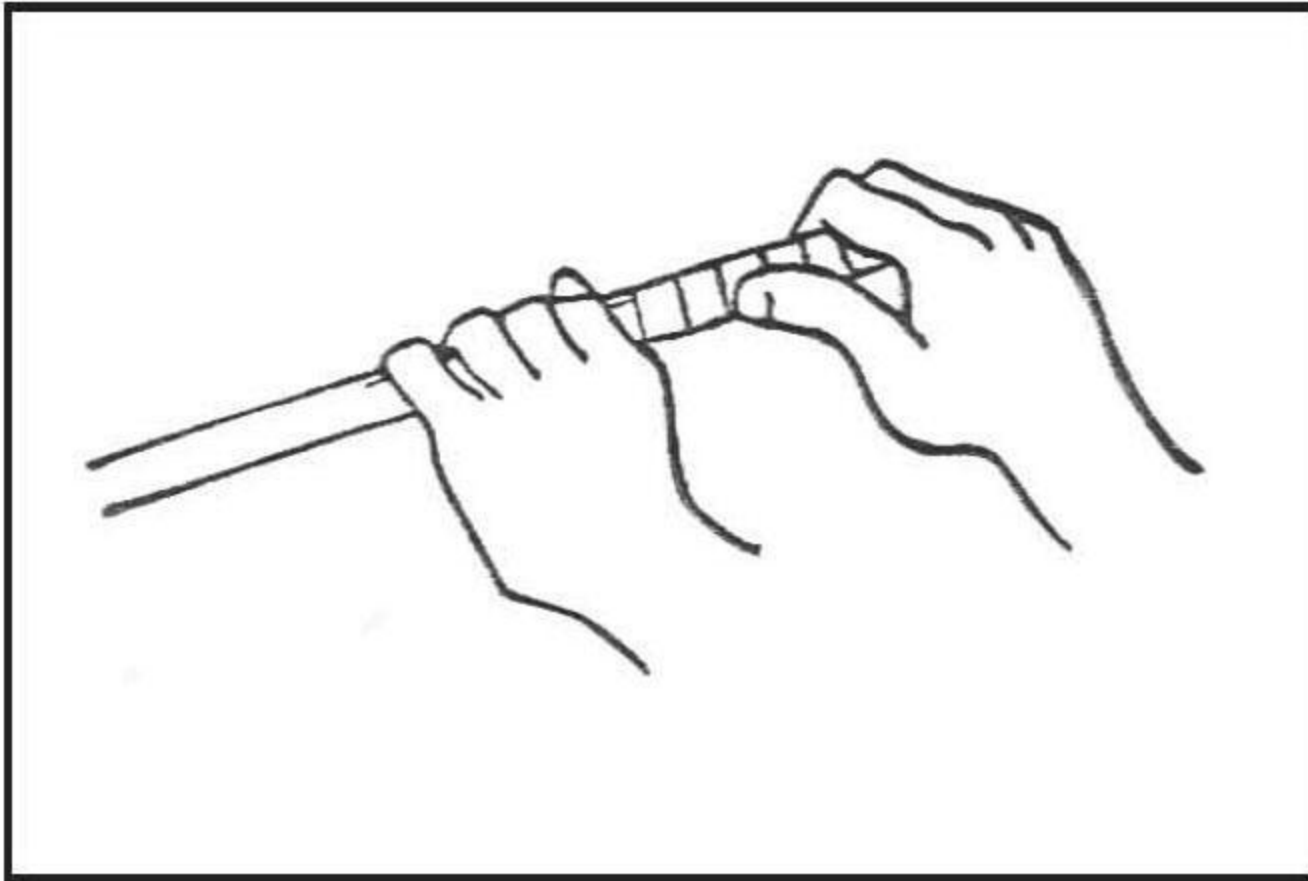


Fig-2: Snap off end of rails to desired length to fit drawer.

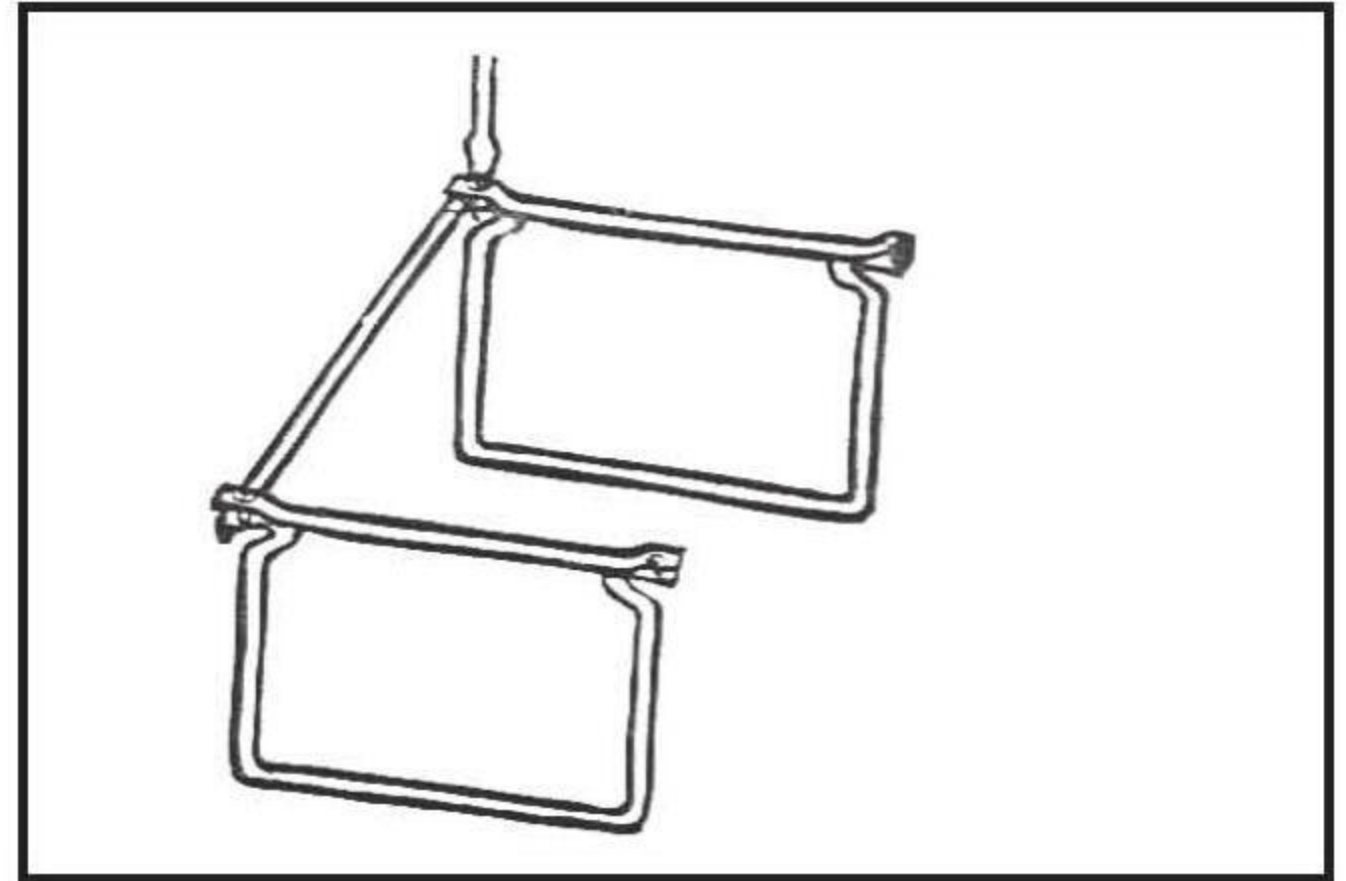


Fig-5: Slide assembled rail into the remaining end unit and tighten screw to secure.

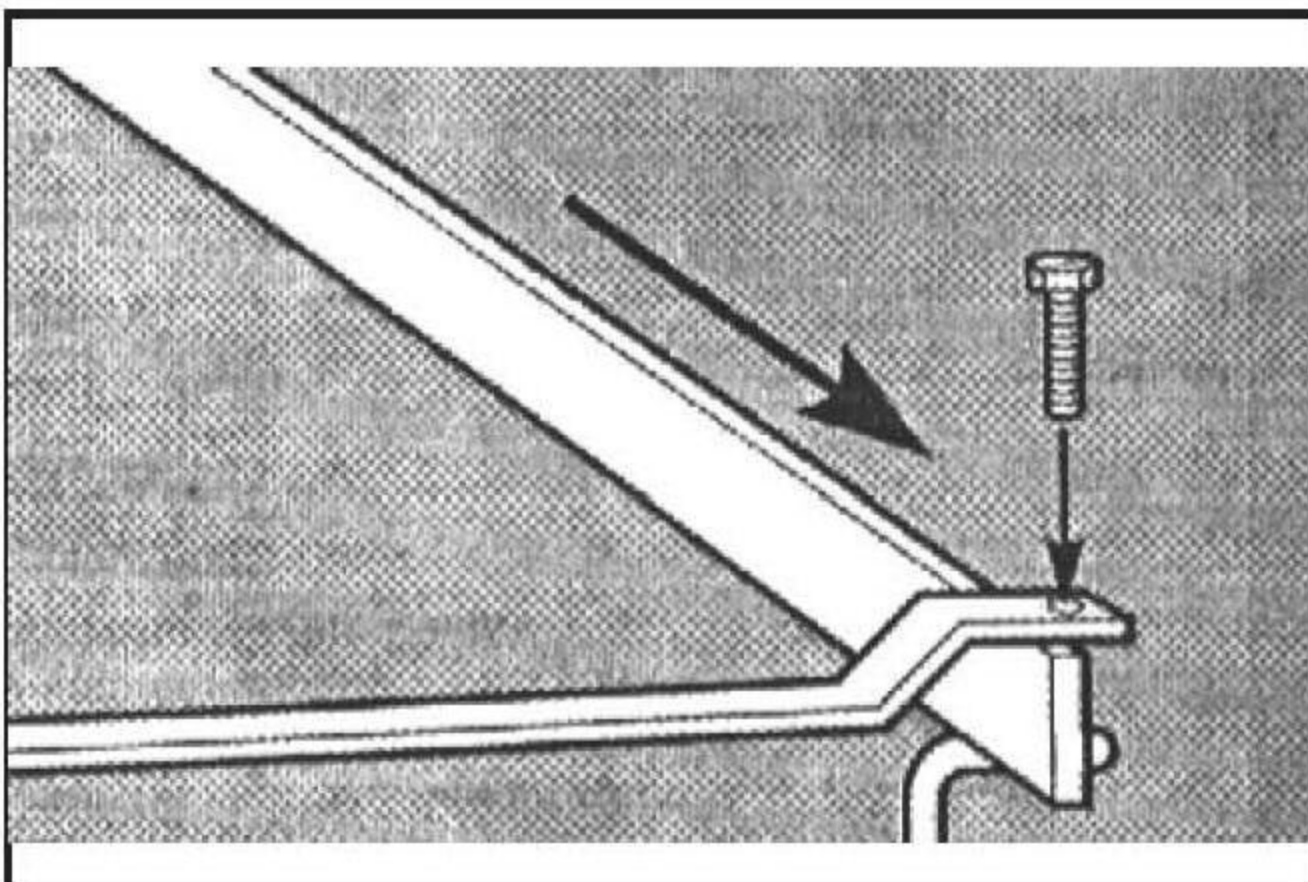


Fig-3: Slide rail into notch at top end of unit.

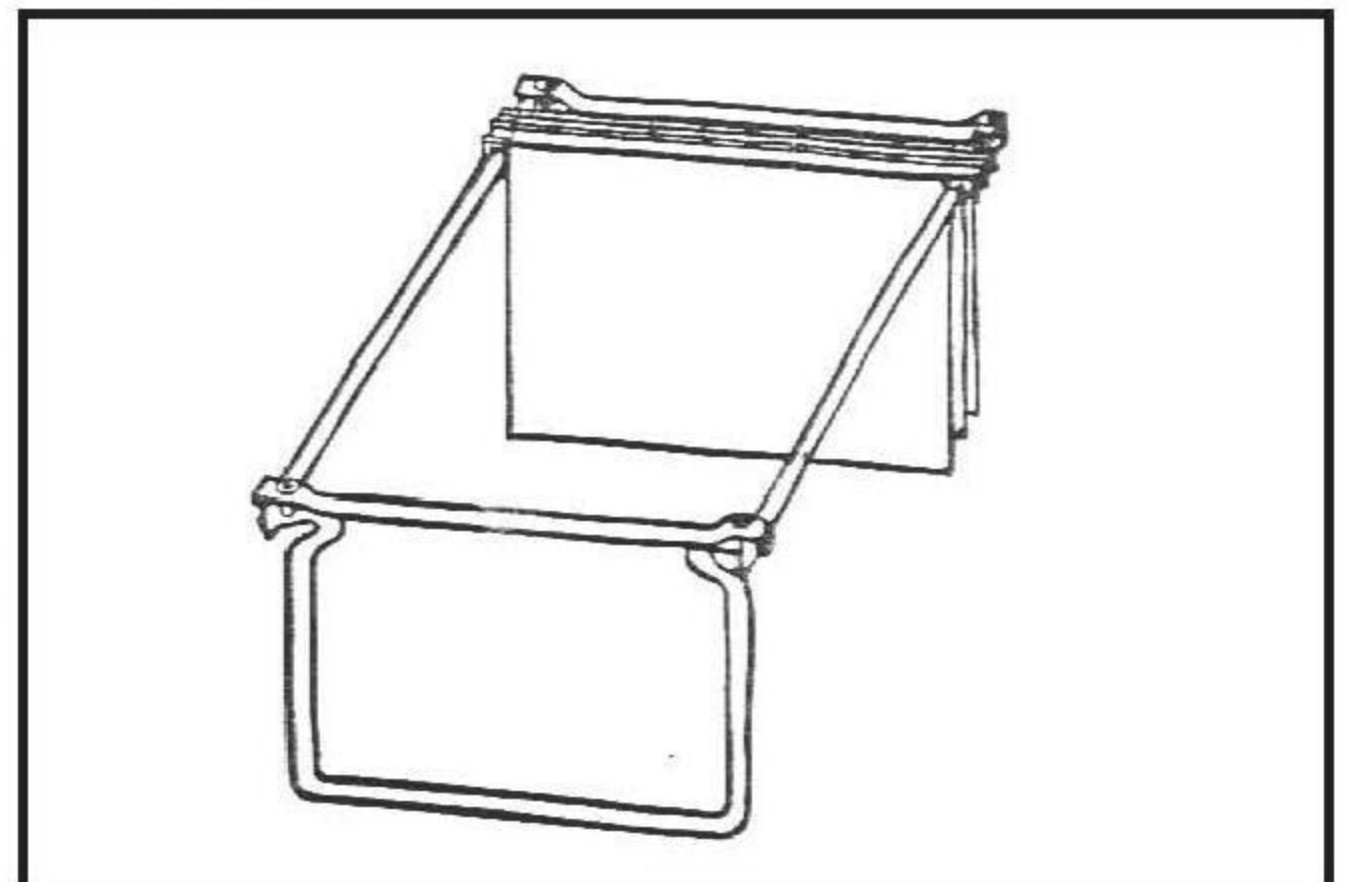


Fig-6: Repeat steps three and four for opposite side.