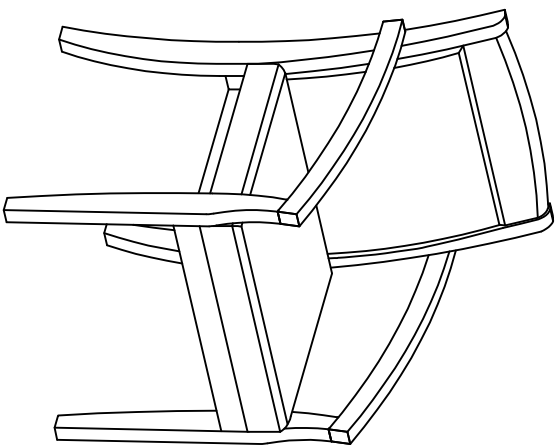


# ASSEMBLY INSTRUCTIONS

## Mercado Wood Guest Chair

### Model No. VSCA

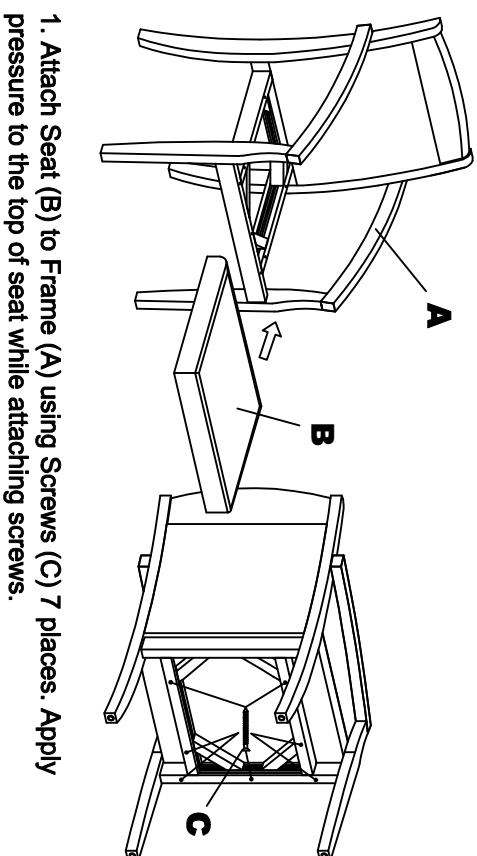


## PARTS LIST VSCA

When ordering components, specific color and/or size information may be required. Contact a Mayline Customer Service Representative: 1-800-822-8037

\* Individual Items, Order by part number.  
 \*\* Denotes Color Code.

Reference Letter	Quantity	Part Number	Quantity	Spare
<b>A*</b>	<b>1</b>	<b>101581** Frame</b>	<b>7</b>	<b>1</b>
<b>B*</b>	<b>1</b>	<b>101571** Seat</b>		
		<b>101570* Hardware Bag</b>		
<b>C</b>		<b>Screw M4 x 35mm</b>		



1. Attach Seat (B) to Frame (A) using Screws (C) 7 places. Apply pressure to the top of seat while attaching screws.

**1**



@ Mayline Company, LLC  
 619 N. Commerce, P.O. Box 728  
 Sheboygan, WI 53082-0728  
 Toll Free: 1-800-822-8037  
 FAX: 920-457-7388  
 On Line: [www.mayline.com](http://www.mayline.com)