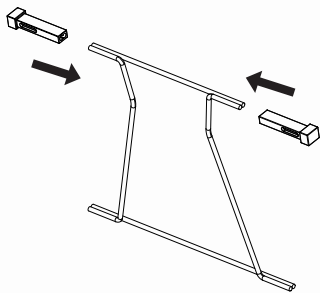
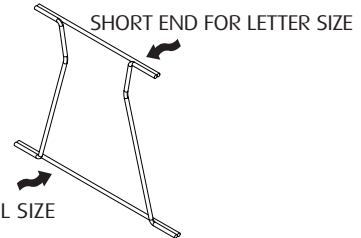


STOCK NO. 91997 UNIVERSAL FILE FRAME, LETTER/LEGAL SIZE

ASSEMBLY INSTRUCTIONS

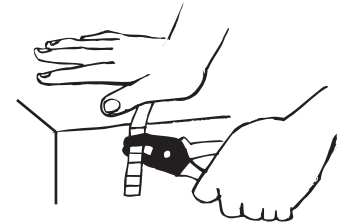
[1] FRAME IS DESIGNED WITH ONE END FOR LETTER SIZE AND ONE END FOR LEGAL SIZE HANGING FILES.



[2] CHOOSE THE END FOR REQUIRED SIZE OF HANGING FILES, PLACE THE PLASTIC JOINTS ON THE FRAME ENDS AS SHOWN.

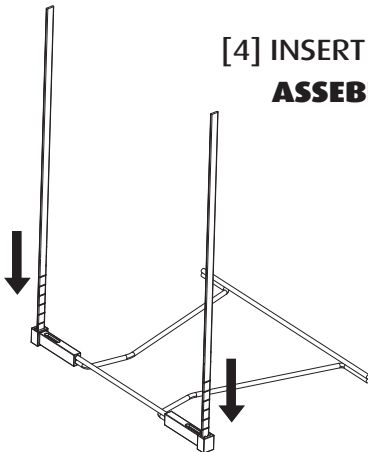
[3] SNAP BOTH RAILS FOR DESIRED LENGTH TO FIT IN DRAWERS:

- PLACE THE RAIL ON FLAT SURFACE WITH INDENTED SNAP LINE AT THE EDGE.
- HOLD THE RAIL DOWN WITH ONE HAND, CLAMP PLIERS AT SNAP LINE.
- BEND THE RAIL DOWN, SNAPPING OFF UNWANTED PIECE.



[4] INSERT RAILS INTO PLASTIC RECEPTACLES AS SHOWN.

ASSEMBLE WITH CAUTION! THE EDGES MAY BE SHARP!



[5] ASSEMBLY COMPLETED AS SHOWN.

