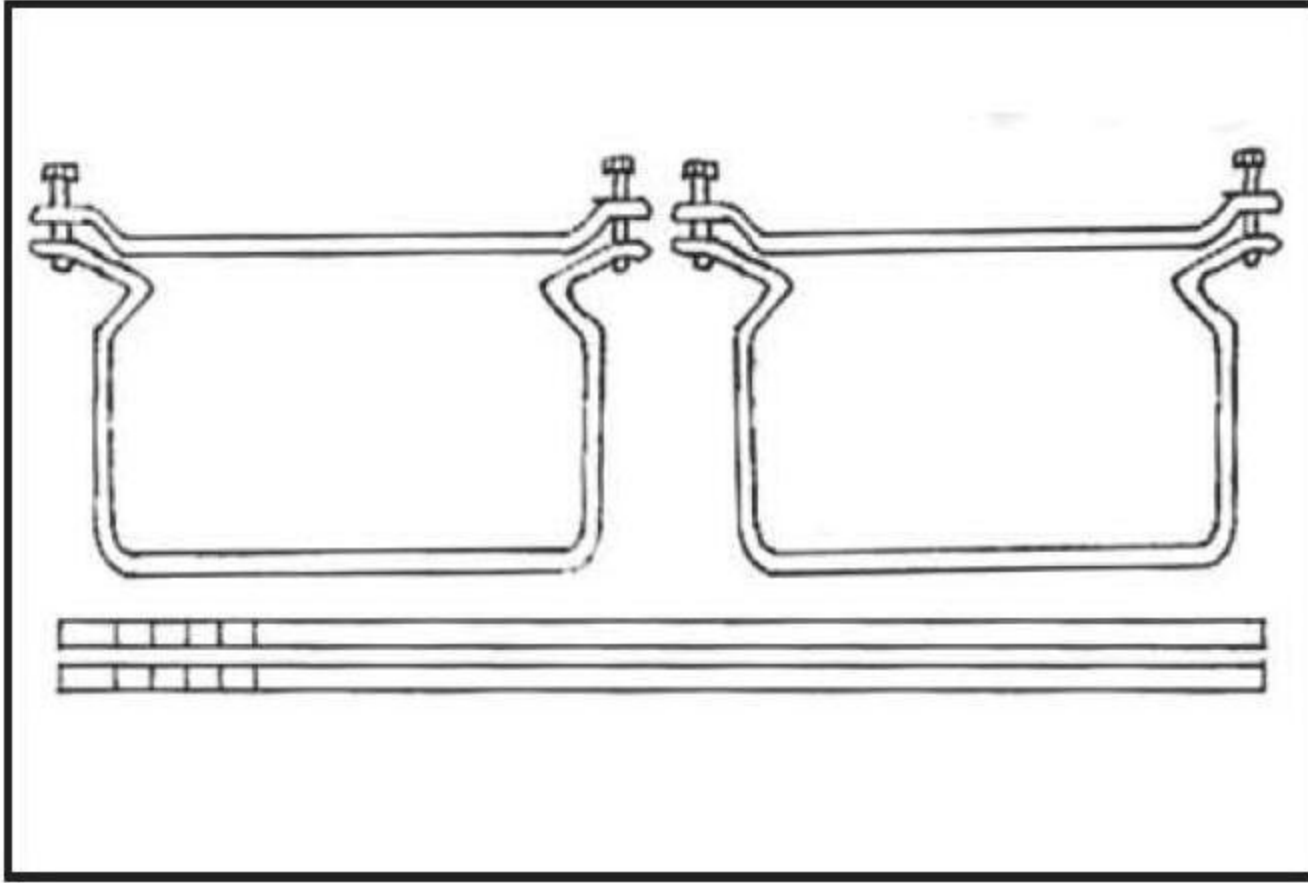
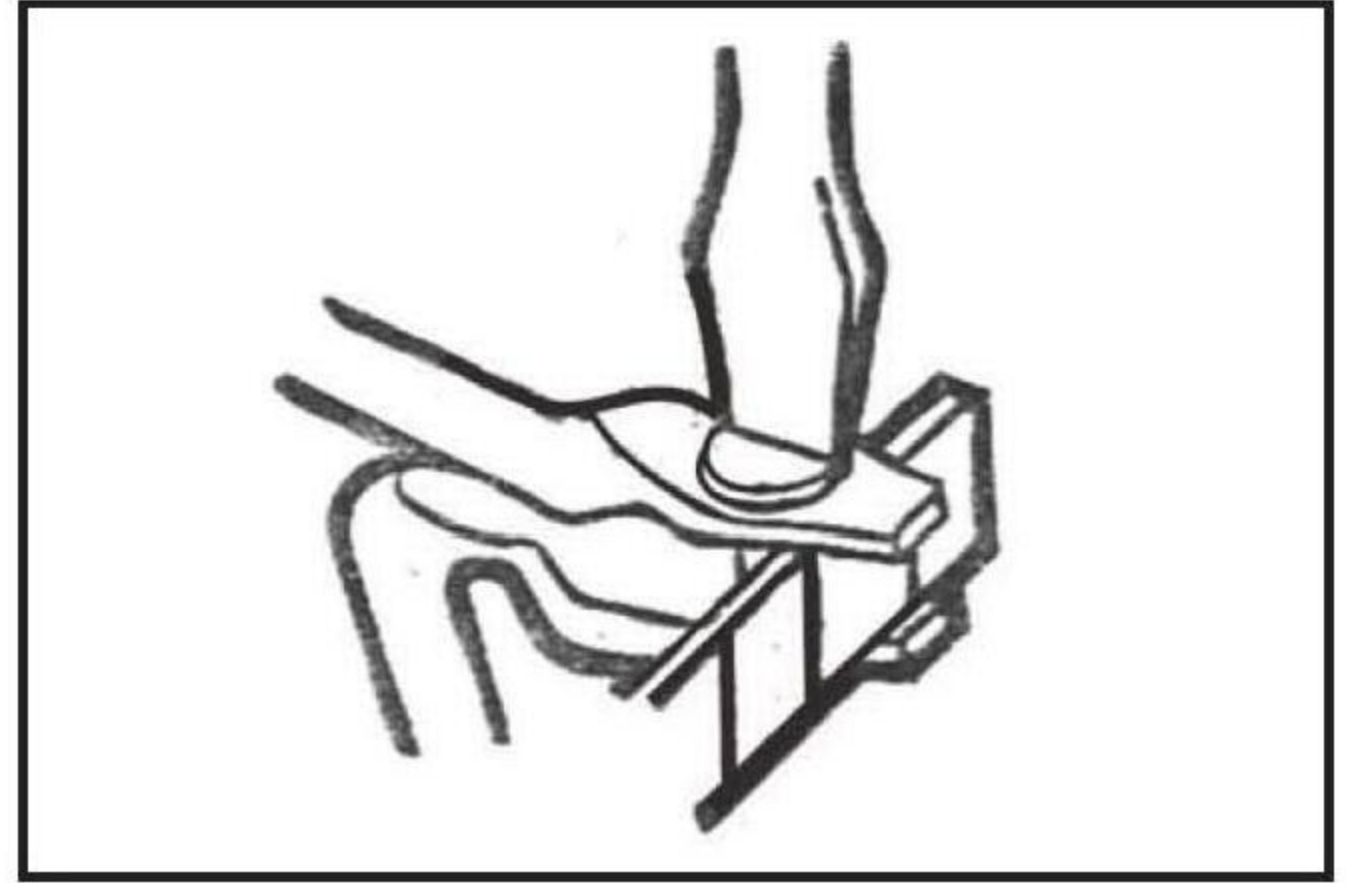


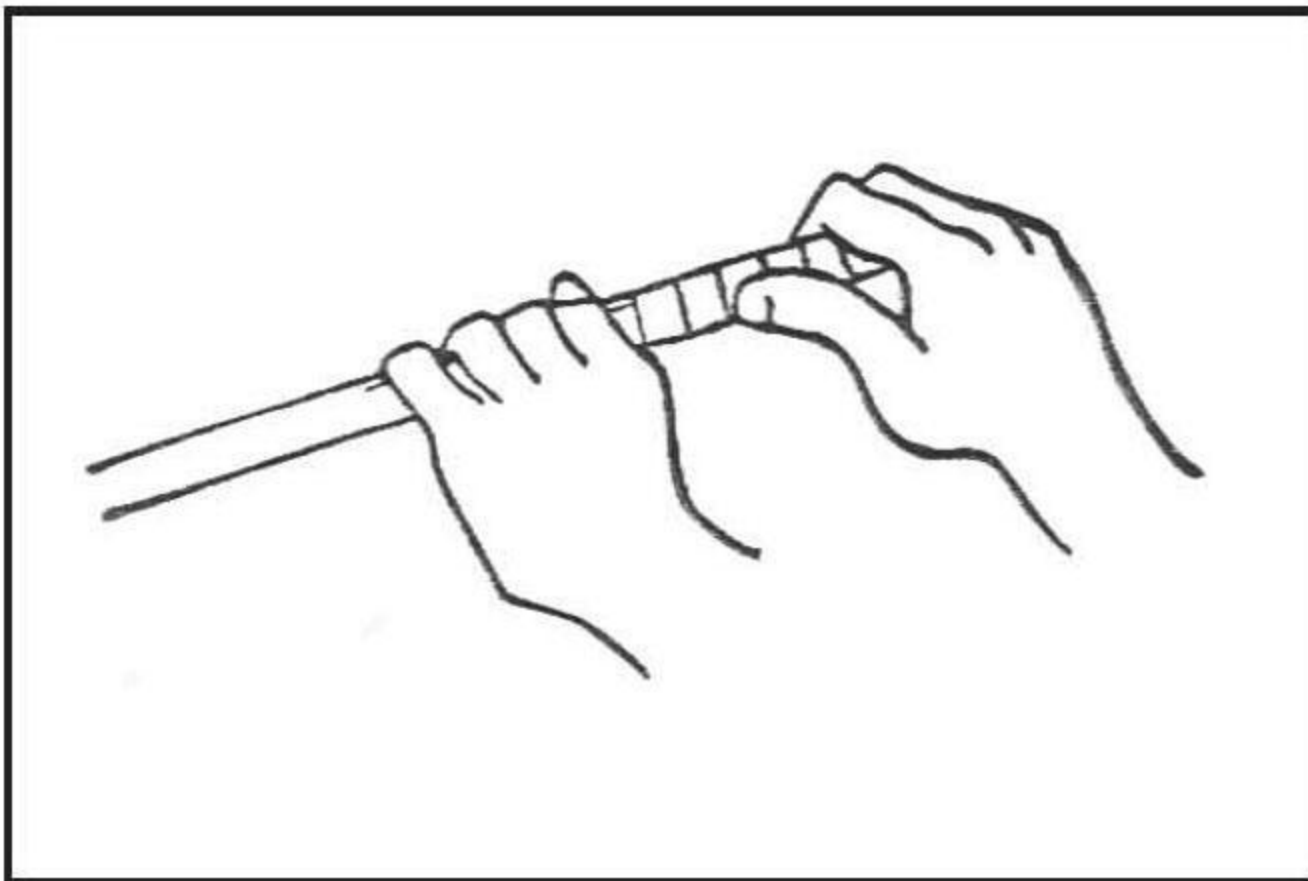
# Hanging Folder Frame



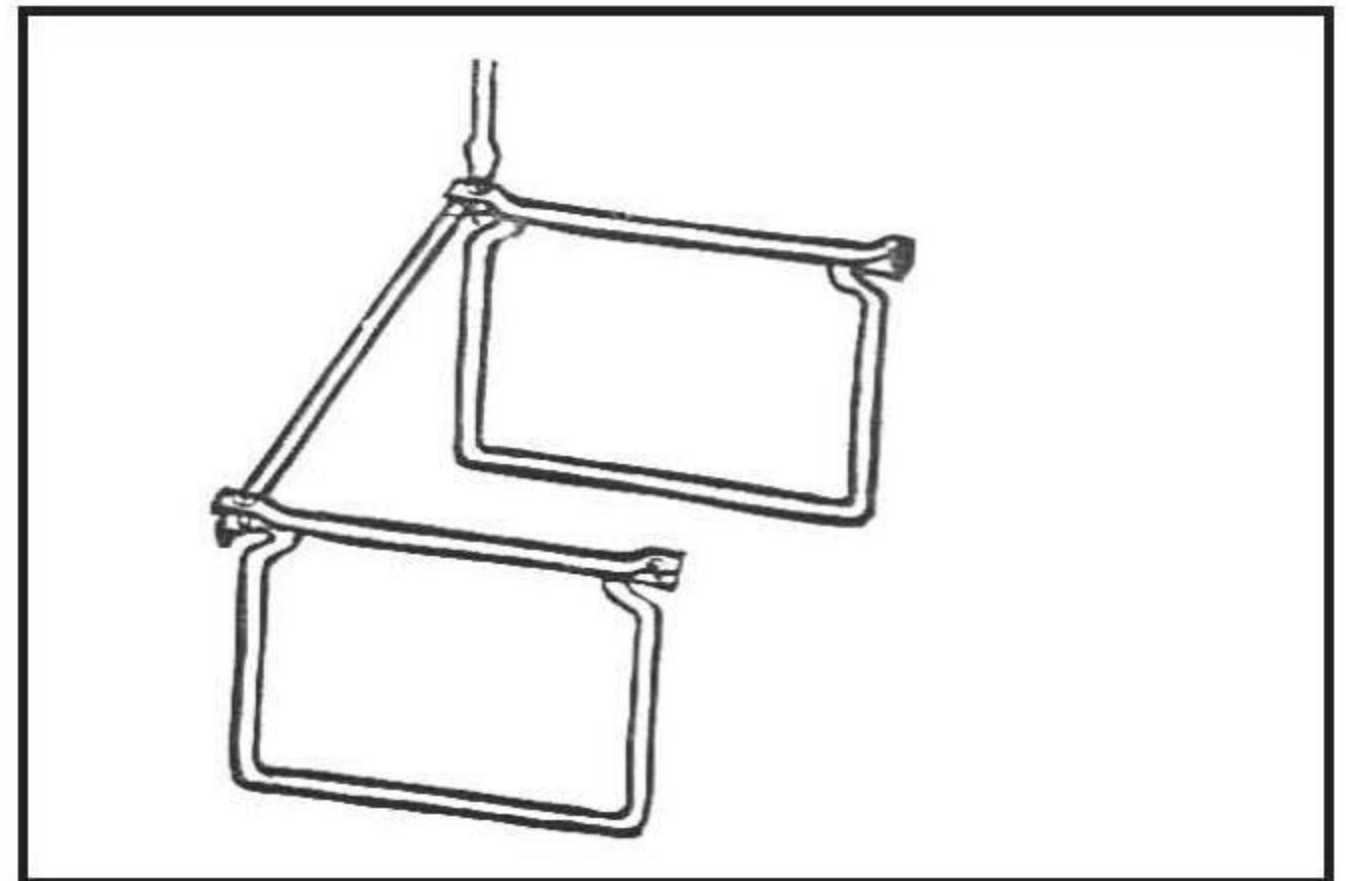
**Fig-1:** A set of two rails and two end units.



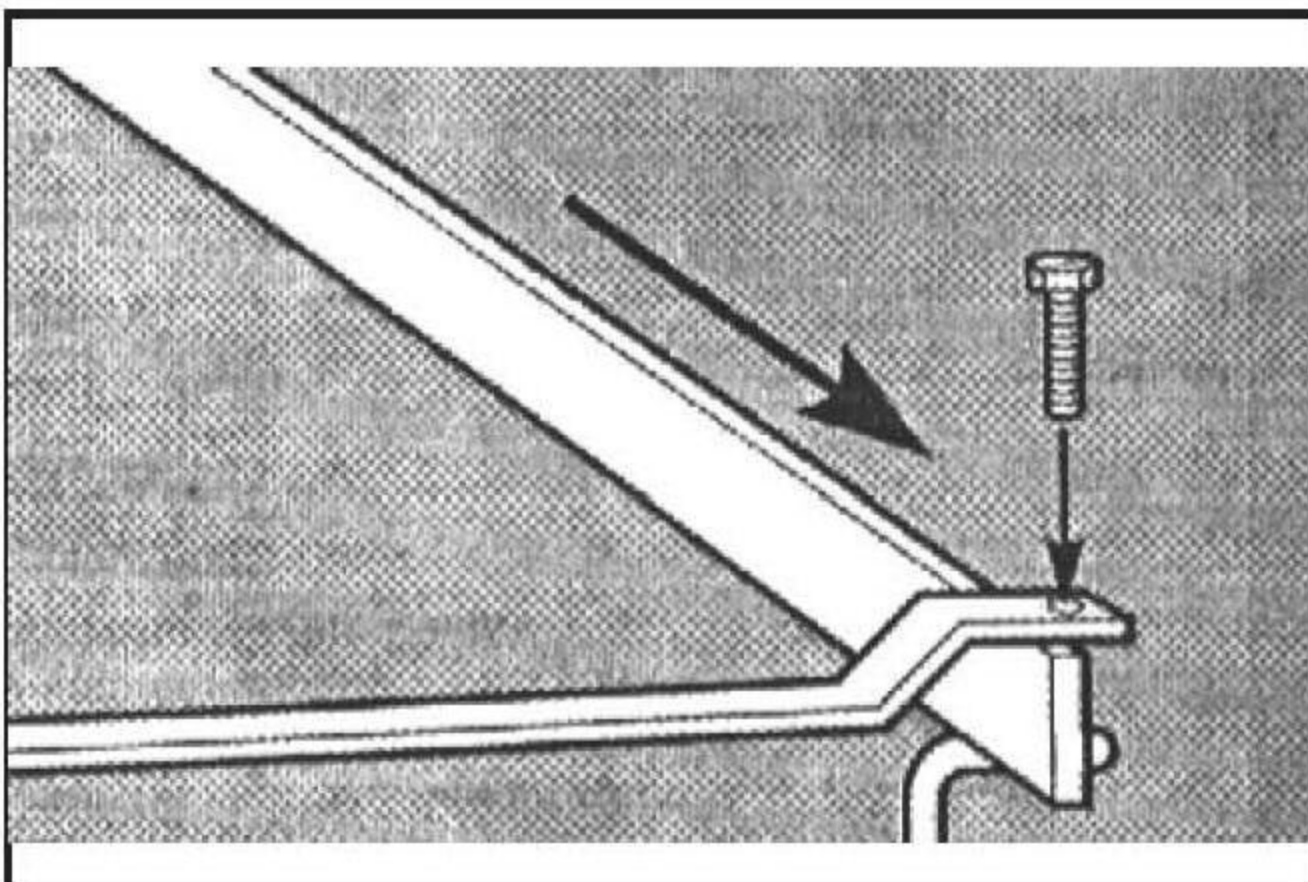
**Fig-4:** Tighten screw with screwdriver or coin to secure rail.



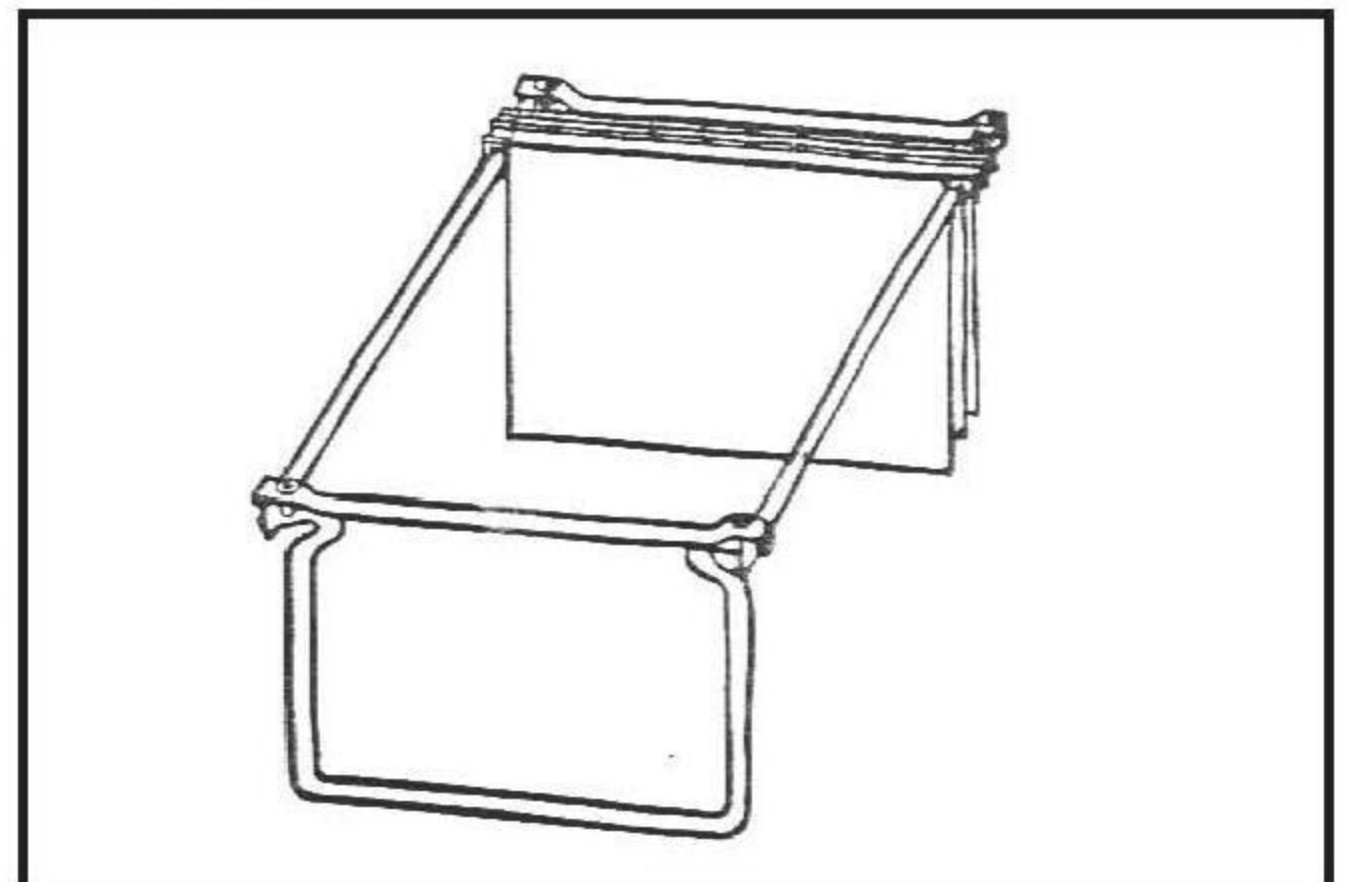
**Fig-2:** Snap off end of rails to desired length to fit drawer.



**Fig-5:** Slide assembled rail into the remaining end unit and tighten screw to secure.



**Fig-3:** Slide rail into notch at top end of unit.



**Fig-6:** Repeat steps three and four for opposite side.