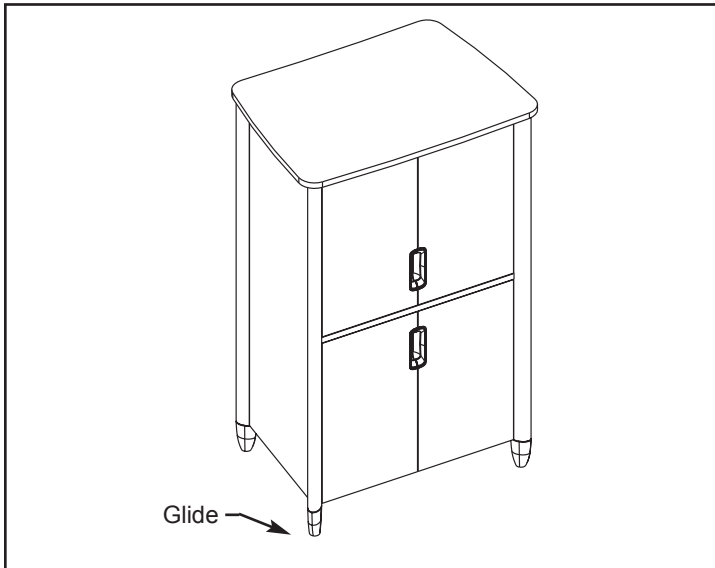


AUDIO VISUAL CONSOLE

INSTALLATION INSTRUCTIONS

Illustration 1



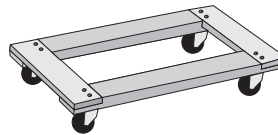
Read all instructions and review illustrations before installing.

Tools required for assembly:
Adjustable wrench
Phillips screwdriver
Level

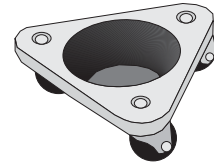
This assembly includes:
(1) Audio Visual Console

! WARNING

The audio video console is heavy. Use two or more people, and the appropriate moving aids—such as those shown below—when moving the audio video console or severe personal injury may result.

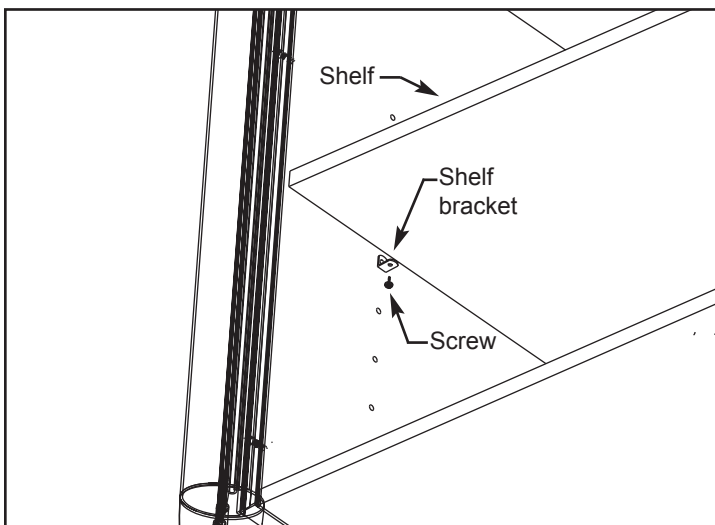


Flush top wood dolly



Recessed center dolly (use in groups of four)

Illustration 2

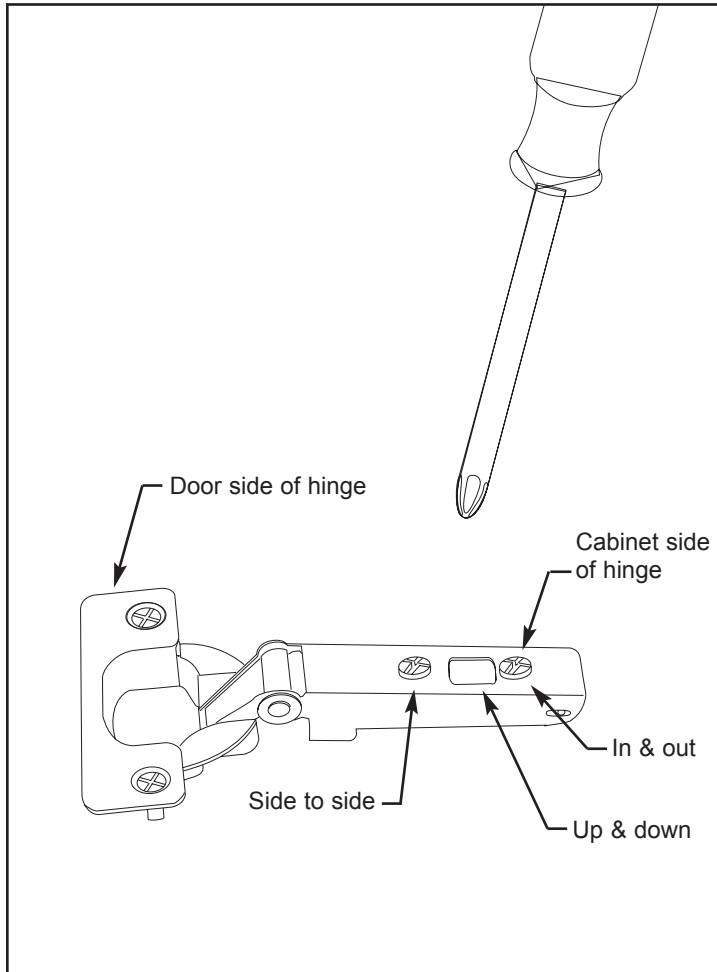


Installation:

1. Refer to Illustration 1. Use adjustable wrench to adjust glides to level console.
2. Refer to Illustration 2 (door removed for clarity). To change the position of the shelf, use Phillips screwdriver to remove four screws securing each of the shelf brackets attached to bottom of shelf. Remove shelf, move shelf brackets to new location, and replace shelf. Secure with screws, if desired.

AUDIO VISUAL CONSOLE

Illustration 3



! WARNING

Cabinet door can come free and fall resulting in personal injury and/or property damage. Do not loosen adjustment screws on all door hinges at the same time.

Door Adjustment (refer to Illustration 3):

1. Open doors and locate door hinges.
2. Locate door alignment screws on each door hinge.
3. Use a Phillips screwdriver to loosen (but do not remove) desired door alignment screw. **Do not** loosen all door hinges at once. Make door adjustments by loosening door hinges in pairs.

Once door adjustment is made, retighten hinge alignment screws.