

# HIGH-BACK LEATHER CHAIR

**MODEL: VL641**

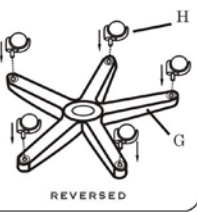
## PARTS LIST

PART#	DESCRIPTION	QTY
A	BACK CUSHION	1PC
B	SEAT CUSHION	1PC
C	ARMREST	1SET
D	SEAT PLATE	1PC
E	GAS LIFT	1PC
F	TELESCOPIC COVER	1PC
G	NYLON BASE	1PC
H	CASTER	5PCS
I	SCREWS(3/4")	4PCS
K	SCREWS(1")	8PCS
L	WASHERS	4PCS
N	PLASTIC CAPS	8PCS
M	ALLEN WRENCH	1PC

**ATTENTION:**  
Make certain that all screws are fully tightened before using the chair.

**1 START**

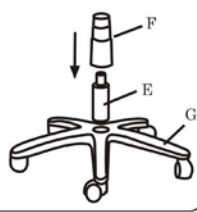
TURN BASE "G" UPSIDE DOWN. PRESS CASTERS "H" INTO HOLES OF EACH LEG OF THE BASE "G".



REVERSED


**2**

INSERT GAS LIFT "E" WITH COVER "F" INTO HOLE IN BASE "G".



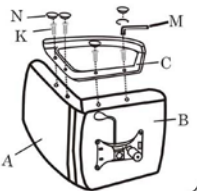
**3**

FASTEN SEAT PLATE "D" ONTO BOTTOM SIDE OF SEAT CUSHION "B" USING SCREWS "I" AND WASHERS "L".



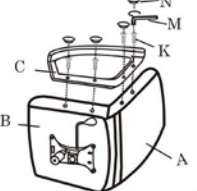
**4**

ATTACH ARMRESTS "C" TO SEAT CUSHION "B" AND BACK CUSHION "A" USING SCREWS "K". THEN COVER ARMREST HOLES WITH PLASTIC CAPS "N".



**5**

THE SAME WITH STEP 4.



**6 COMPLETED**

PLACE SEAT ASSEMBLY ONTO GAS LIFT "E". PUSH FIRMLY ON THE CHAIR SEAT TO SECURELY ATTACH SEAT MOUNT TO GAS LIFT.

