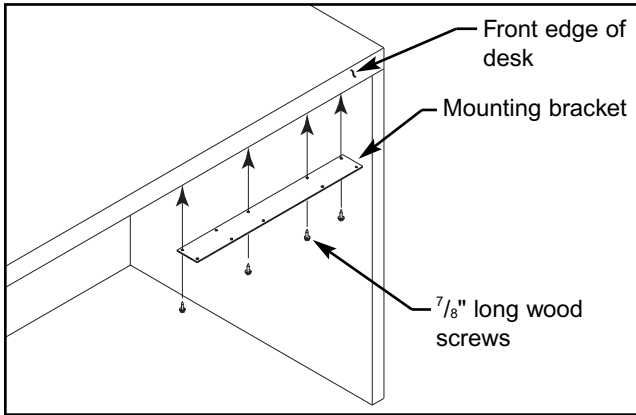


# FLUSH HEIGHT RETURN

# INSTALLATION INSTRUCTIONS

Illustration 1



Read all instructions and review illustrations before installing.

Tools required for assembly:  
 $\frac{1}{4}$ " hex head screwdriver

Assembly hardware pack includes:  
(2)  $\frac{1}{2}$ " long wood screw      (1) Connecting bracket  
(4)  $\frac{7}{8}$ " long wood screw

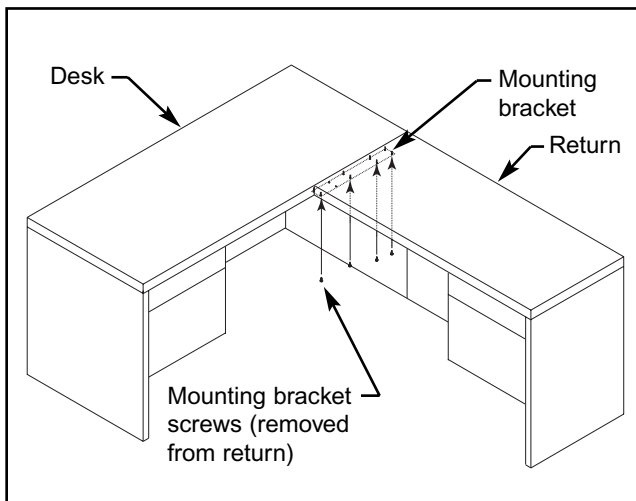
## WARNING

If used alone, or improperly installed, this return can tip and fall resulting in severe injury to you or others. Do not use return alone. Use return with a single pedestal desk 66" x 30" or larger.

## NOTE

If using an optional desk center drawer, install center drawer before attaching return.

Illustration 2



## Installation:

1. Use two or more people to position desk in location where it will be used. Level desk, left-to-right and front-to-rear, by adjusting leveling glides along bottom edge of desk end panels (if applicable).
2. Use the  $\frac{1}{4}$ " hex head screwdriver to remove mounting bracket screws securing mounting bracket to bottom of return top. Save mounting bracket and screws for later use.
3. Refer to Illustration 1. Install mounting bracket, removed from return unit in Step 2, onto desk as shown (note hole pattern). Use the  $\frac{1}{4}$ " hex head screwdriver to install four  $\frac{7}{8}$ " long wood screws (from hardware pack) through holes in mounting bracket and into pre-punched holes along front edge of desk top. Fully tighten screws.
4. Refer to Illustration 2. Use two or more people to place return top onto mounting bracket as shown.
5. Refer to Illustration 2. Use the  $\frac{1}{4}$ " hex head screwdriver to reinstall mounting bracket screws, removed in Step 2, through holes in mounting bracket and into holes in bottom of return top. Do not tighten mounting bracket screws.
6. Align return with desk and level return, left-to-right and front-to-rear, by adjusting leveling glides along bottom edge of return end panel.
7. Refer to Illustration 3. On desk side of return, position connecting bracket (from hardware pack) over predrilled hole in return skirt and flat against desk end panel. Use the  $\frac{1}{4}$ " hex head screwdriver to install a  $\frac{1}{2}$ " long wood screw (from hardware pack) through connecting bracket and into return skirt predrilled hole. Install the second  $\frac{1}{2}$ " long wood screw (from hardware pack) through connecting bracket and into desk end panel. Fully tighten wood screws.
8. Fully tighten all mounting bracket screws.

Illustration 3

