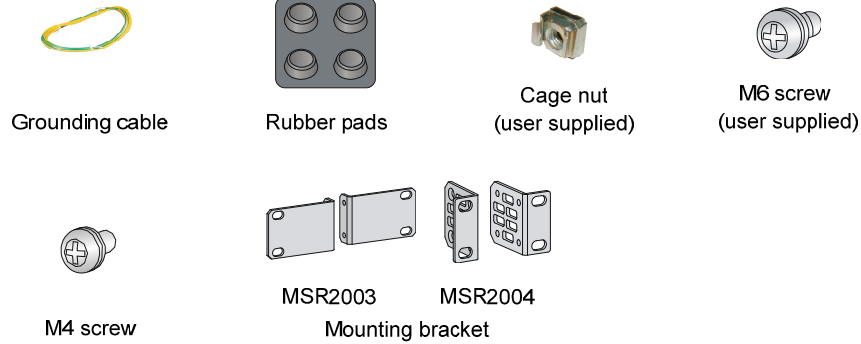


Introduction of Installation Accessories

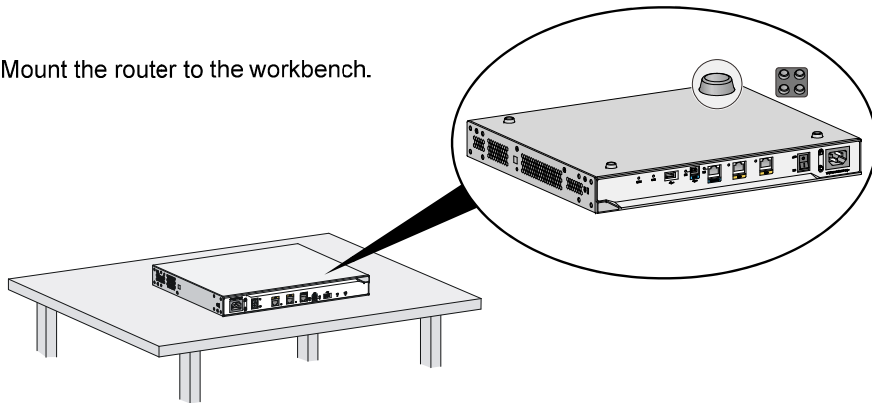


⚠ Wear an ESD-preventive wrist strap, and make sure that the wrist strap has a good skin contact and is well grounded.

Mounting the Router to a Workbench

Stick the rubber pads to the appropriate positions on the router bottom.

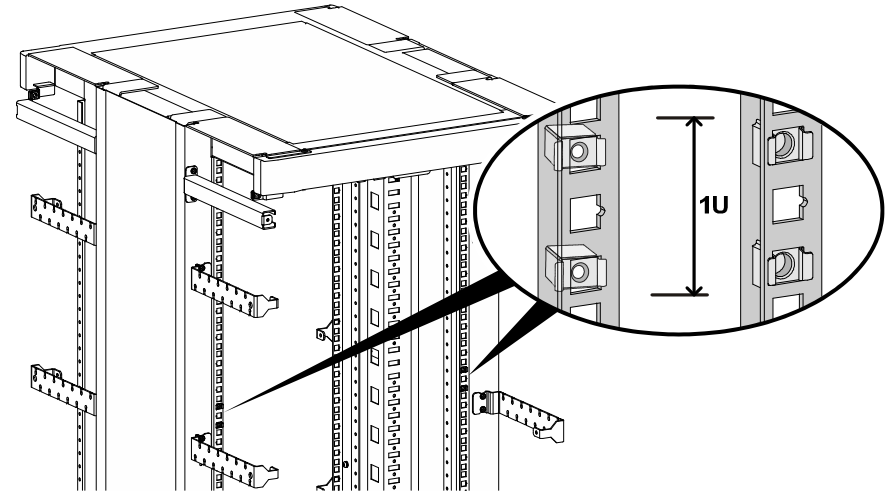
Mount the router to the workbench.



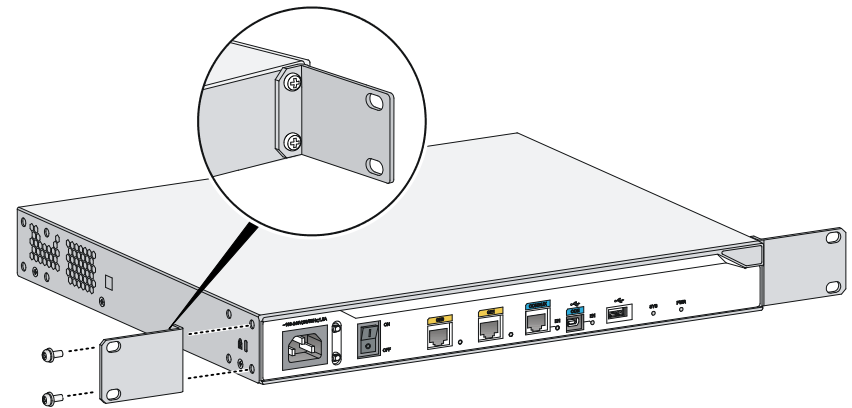
Mounting the Router to a Rack

⚠ Supplied mounting brackets and the installation modes depend on your device model.

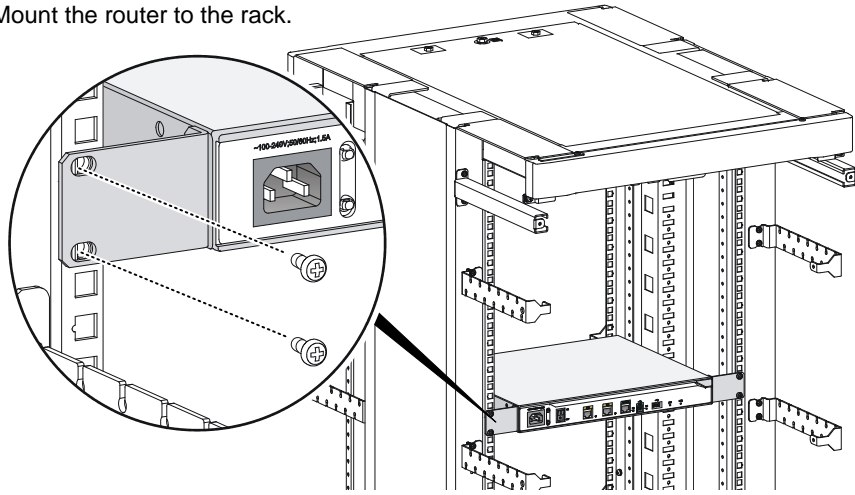
Install cage nuts.



Attach the mounting brackets to the router.

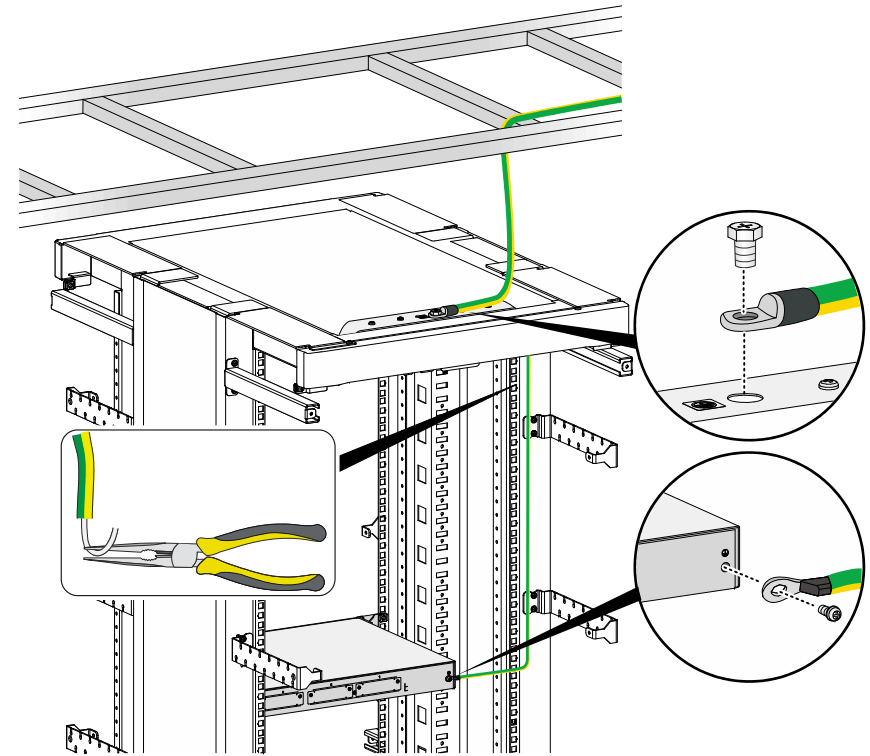


Mount the router to the rack.



Before mounting the router on a rack, make sure the rack is properly grounded.

Connect the building grounding cable to the grounding strip on the rack.



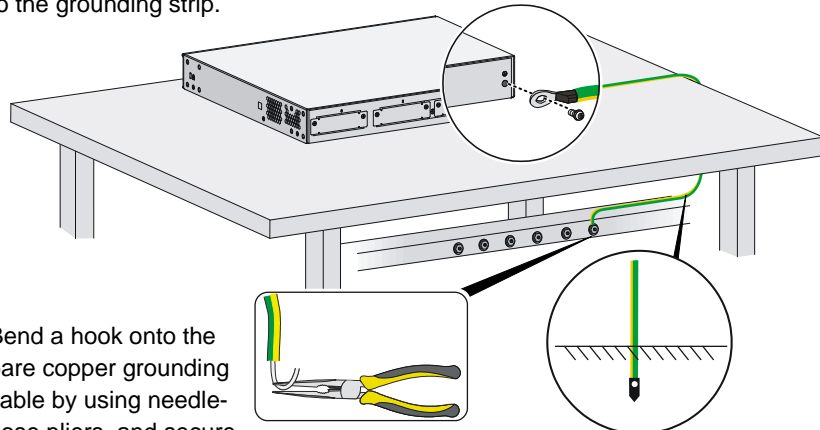
Connect the ring terminal of the grounding cable to the router and the other end of the cable to grounding strip on the rack.

Connecting the Grounding Cable

⚠ Correctly connecting the router grounding cable is crucial to lightning protection and EMI protection.

The grounding cable varies by device model. Connect the grounding cable according to the actual condition.

Connect the ring terminal end of the grounding cable to the router and the other end to the grounding strip.



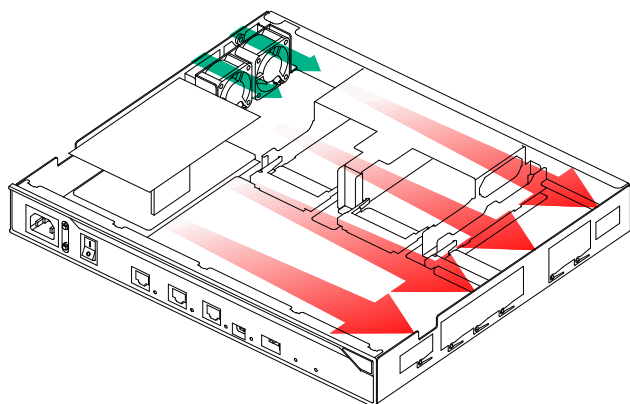
Bend a hook onto the bare copper grounding cable by using needle-nose pliers, and secure it to the grounding strip with a fastening screw.

If the installation site has no grounding strips, but earth ground is available, hammer an angle iron or steel tube into the earth ground to serve as a grounding conductor.

Airflow of the Router

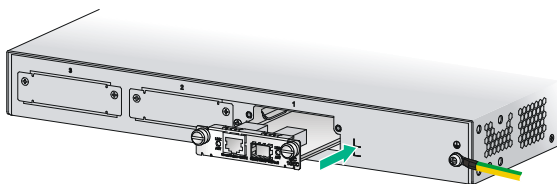
⚠ Make sure the air inlet and outlet vents are not blocked and the installation site has a good ventilation system.

The MSR2000 adopts left-to-right air aisles.

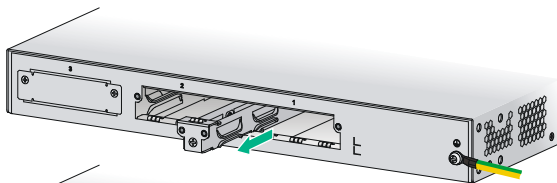


Installing an Interface Card

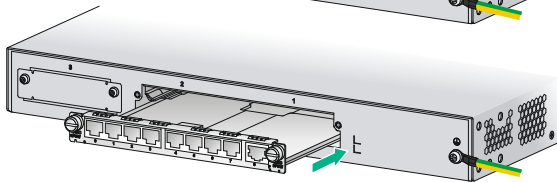
▲ SIC interface cards are not hot swappable. Only the MSR2003 router supports DSICs.



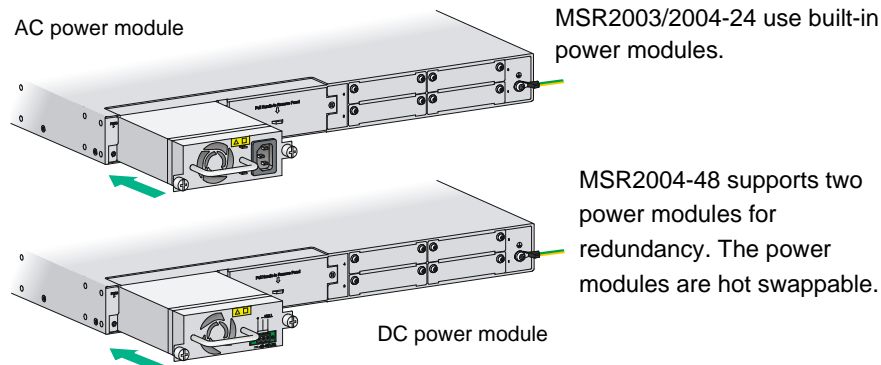
- To install a SIC interface card:
1. Remove the filler panel from the SIC slot.
 2. Insert the SIC interface card.
 3. Fasten the captive screws.



If you remove the slot divider between SIC slot 1 and slot 2, you can install a DSIC interface card.



Installing the power module



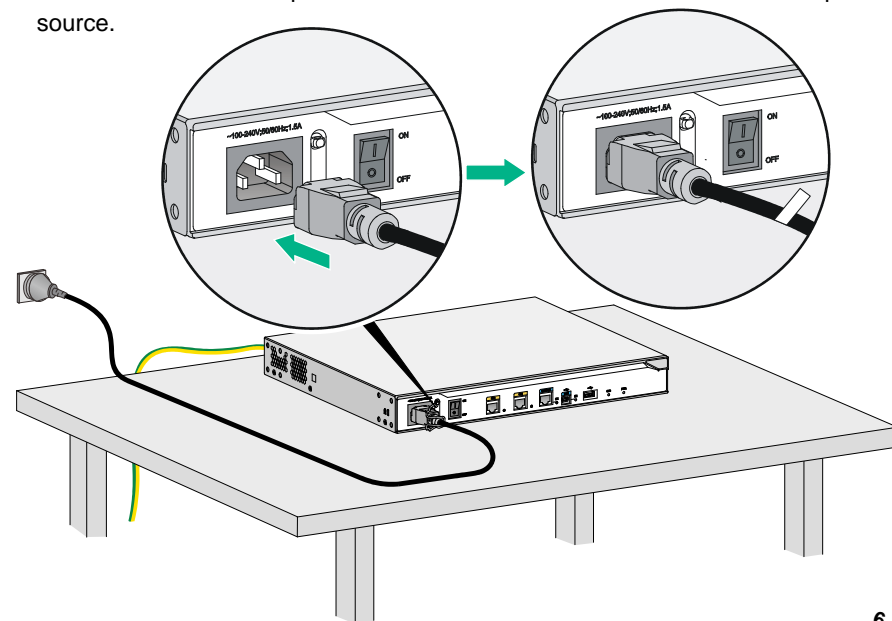
MSR2003/2004-24 use built-in power modules.

MSR2004-48 supports two power modules for redundancy. The power modules are hot swappable.

Installing an Interface Card

▲ Before connecting the power cable, make sure the router is properly grounded. The AC power cord in the figure is only for illustration.

- To connect the power cable when you mount the router on a workbench:
1. Make sure the router is well grounded, and the power switch on the router is in the OFF position.
 2. Connect one end of the power cable to the router and the other end to the power source.



To connect the power cable when you mount the router on a rack:

1. Make sure the router is well grounded, and the power switch on the router is in the OFF position.
2. Connect one end of the power cable to the router and the other end to the power source.

Documentation

To access documentation and support services, go to the Hewlett Packard Enterprise Support Center website:

www.hpe.com/support/hpesc

