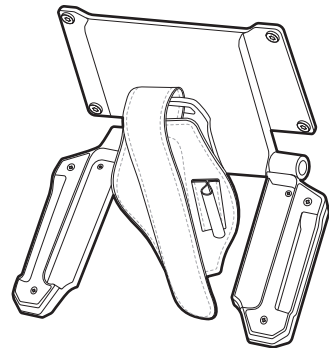


ET6x

Kick-Stand / Hand Strap Installation Guide



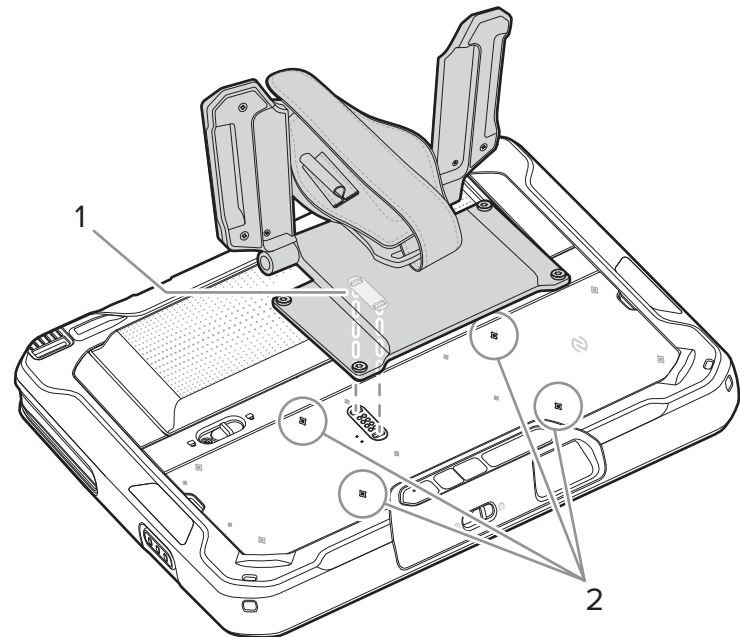
MN-004854-02EN-P Rev. A

Zebra Technologies | 3 Overlook Point | Lincolnshire, IL 60069 USA zebra.com

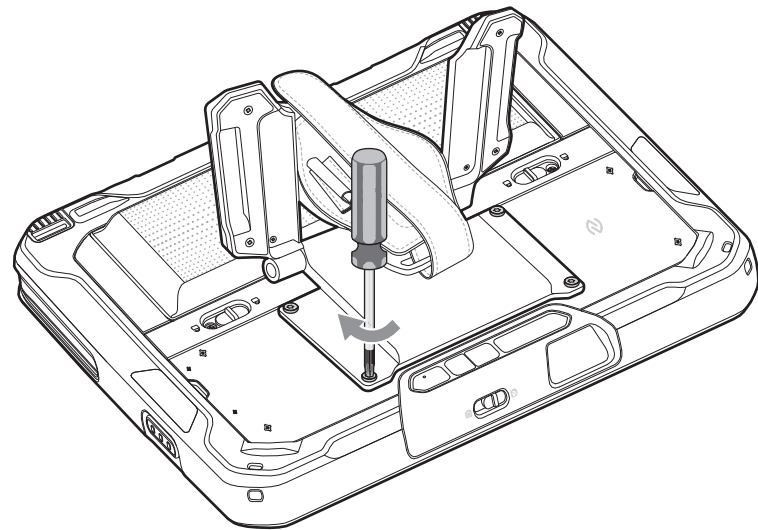
ZEBRA and the stylized Zebra head are trademarks of Zebra Technologies Corp., registered in many jurisdictions worldwide. All other trademarks are the property of their respective owners. © 2024 Zebra Technologies Corp. and/or its affiliates. All rights reserved.



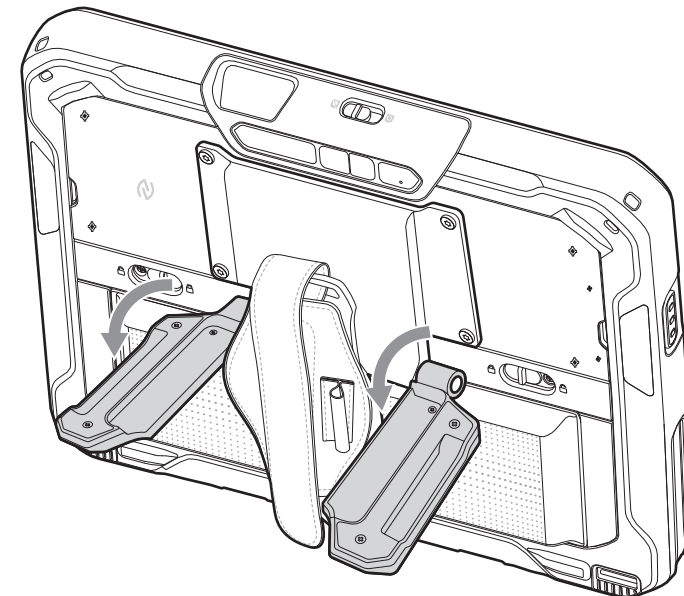
Align the two tabs (1) on the Kick-Stand with the connector on the tablet. Press down on each screw to puncture the mylar (2).



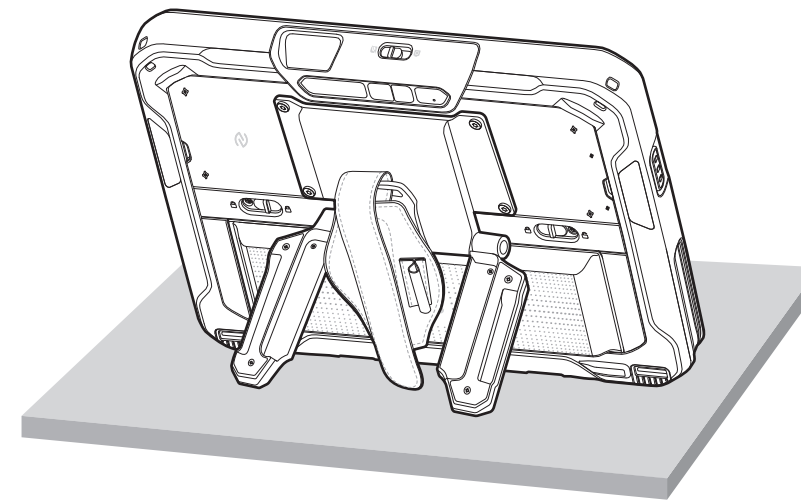
Secure the Kick-Stand to the tablet using four screws. Torque to 4.5 kgf-cm (3.9 lbf-in.).



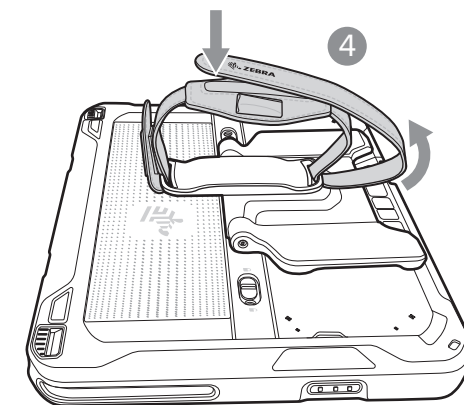
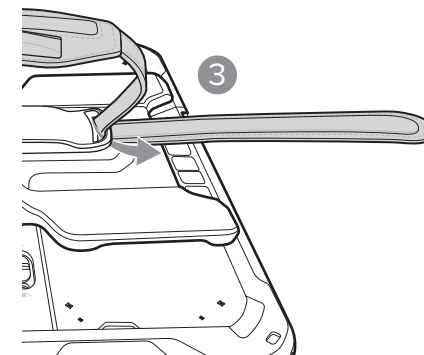
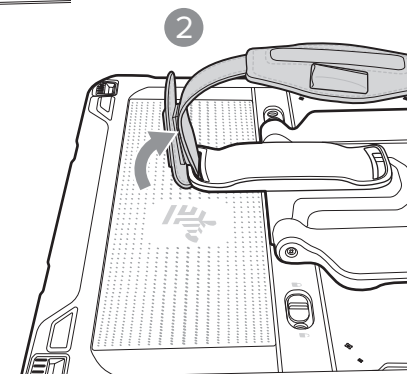
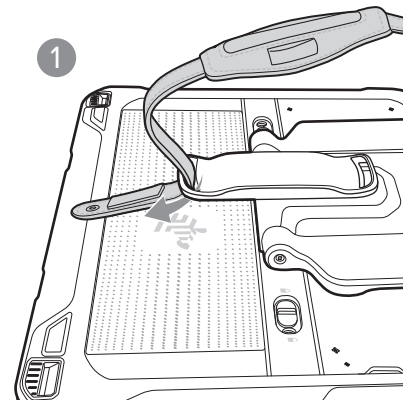
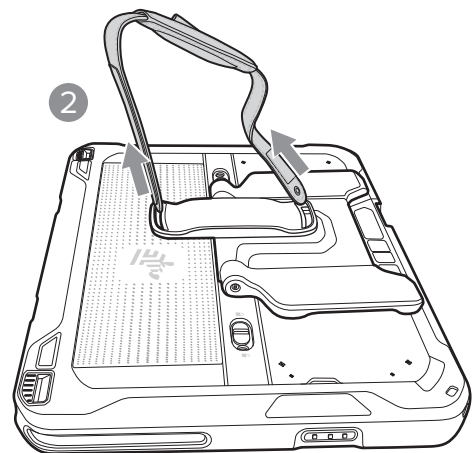
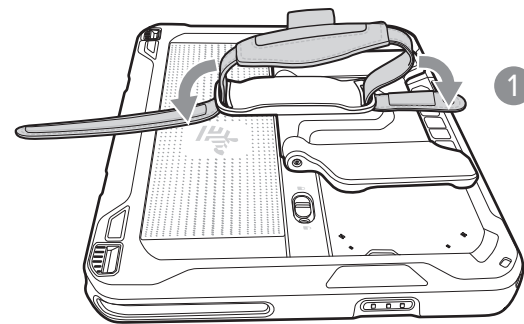
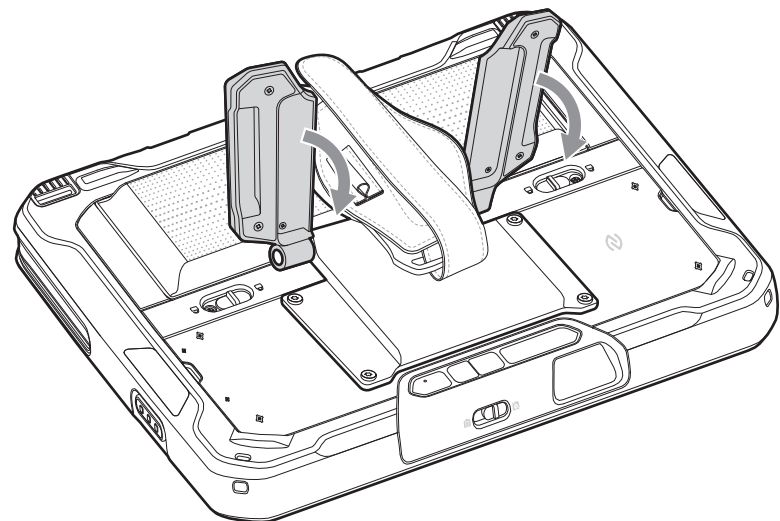
Rotate the Kick-Stand legs down to the desired position.



Place the tablet on a flat surface and adjust viewing angle.



Rotate the Kick-Stand legs to the top of the tablet.



Before you use the unit, it must be configured to operate in your facility's network and run your applications.

If you have a problem running your unit or using your equipment, contact your facility's Technical or System Support.

If there is a problem with the equipment, they will contact Zebra support at zebra.com/support.

For the latest version of the guide go to: zebra.com/support.



View user documentation.
zebra.com/et6x-info

View Quick Answers
and Knowledge Base.
zebra.com/knowledge



Join Community Connection
of Zebra users
and ambassadors.
zebra.com/supportcommunity

Download product
manuals, drivers, software,
and view how-to videos.
zebra.com/support



Request a repair for your product.
zebra.com/repair

Learn about product
patent information.
ip.zebra.com

