

ET6x Keyboard Quick Reference Guide



MN-004799-01EN-P — September 15, 2023

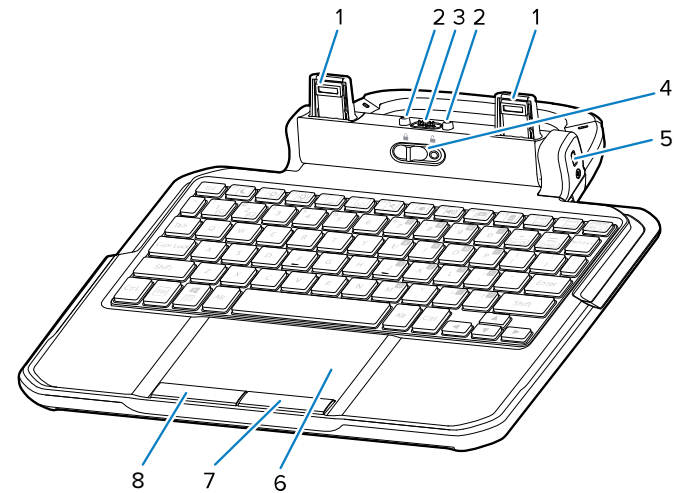
Zebra Technologies | 3 Overlook Point | Lincolnshire, IL 60069 USA
zebra.com

ZEBRA and the stylized Zebra head are trademarks of Zebra Technologies Corp., registered in many jurisdictions worldwide.
All other trademarks are the property of their respective owners. © 2023 Zebra Technologies Corp. and/or its affiliates. All rights reserved.

Features



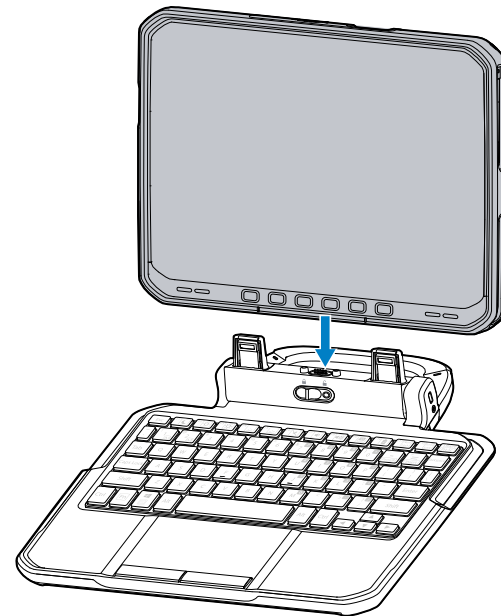
NOTE: Use only with Zebra ET60/65 tablets.



1	Keyboard latch	Connects keyboard to the tablet.
2	Keyboard alignment pins	Aligns the tablet to the keyboard during installation.
3	Tablet interface connector	Interface to the tablet.
4	Locking switch	Locks the keyboard to the tablet. Use provided screw to prevent unlocking the keyboard from the tablet in hazardous locations.
5	Kensington lock slot	Pairs with a standard security cable lock. Secures both the tablet and keyboard.
6	Touchpad	Moves the cursor and selects items on the screen.
7	Right touchpad button	Functions as a left button on an external mouse.
8	Left touchpad button	Functions as a right button on an external mouse.

Attaching the Keyboard

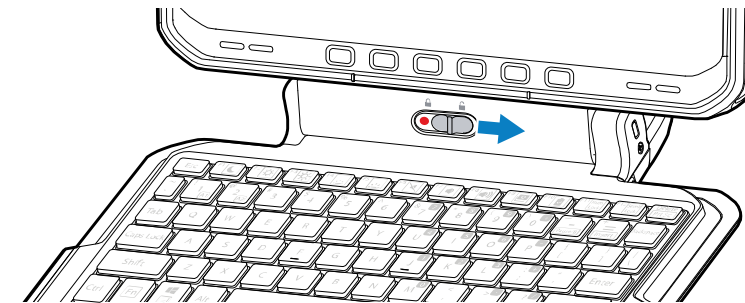
1. Place the keyboard on a flat and level surface.
2. Align the keyboard alignment markings on the tablet and keyboard.



3. Gently press the tablet down onto the keyboard until you hear a click.
When the keyboard is correctly installed, the keyboard locking switch automatically clicks into the lock position and the red indicator is hidden under the switch.

Removing the Keyboard

1. Place the tablet on a flat and level surface.
2. Ensure the keyboard and tablet are in the open position.
3. Slide and hold the keyboard locking switch to the Unlock position.
When in the unlock position, the red indicator is visible to the left of the switch.



4. Lift the tablet from the keyboard.

Setting the Tablet Display Brightness

Use **F4** (decrease) or **F5** (increase) to change the tablet display brightness.

Setting the Keyboard Backlight Brightness

Use **F6** (decrease) or **F7** (increase) to change the keyboard backlight brightness.

Setting the Keyboard Backlight Color

The user can change the keyboard backlight color (red (default), blue, green, or white). Use **F8** to cycle through the keyboard backlight colors.

Regulatory Information

This device is approved under Zebra Technologies Corporation.

This guide applies to the following model number: KBD-ET6X

All Zebra devices are designed to be compliant with the rules and regulations in the locations they are sold and will be labeled as required.

Local language translation / (BG) Превод на местен език / (CZ) Překlad do místního jazyka / (DE) Übersetzung in die Landessprache / (EL) Μετάφραση τοπικής γλώσσας / (ES) Traducción de idiomas locales / (ET) Kohaliku keele tõlge / (FI) Paikallinen käännös / (FR) Traduction en langue locale / (HR) Prijevod na lokalni jezik / (HU) Helyi nyelvé fordítás / (IT) Traduzione in lingua locale / (JA) 現地語翻訳 / (LT) Vietinės kalbos vertimas / (LV) Tulkojums vietējā valodā / (NL) Vertaling in lokale taal / (PL) Tłumaczenie na język lokalny / (PT) Tradução do idioma local / (RO) Traducere în limba locală / (RU) Перевод на местный язык / (SK) Preklad do miestneho jazyka / (SL) Prevajanje v lokalni jezik / (SR) Превод на локални језик / (SV) Översättning av lokalt språk / (TR) Yerel dil çevirisi / (ZH-CN) 当地语言翻译 / (ZH-TW) 當地語言翻譯 / zebra.com/support

Any changes or modifications to Zebra equipment not expressly approved by Zebra could void the user's authority to operate the equipment.

Declared maximum operating temperature: 60°C

For use only with Zebra approved and UL Listed mobile devices, Zebra approved, and UL Listed/Recognized battery packs.

Regulatory Markings

Regulatory markings subject to certification are applied to the device signifying the radio(s) is/are approved for use. Refer to the Declaration of Conformity (DoC) for details of other country markings. The DOC is available at: zebra.com/doc.

Health and Safety Recommendations

Ergonomic Recommendations

In order to avoid or minimize the potential risk of ergonomic injury, always follow good ergonomic workplace practices. Consult with your local Health and Safety Manager to ensure that you are adhering to your company's safety programs to prevent employee injury.



ZEBRA

CE Marking and European Economic Area (EEA)

Statement of Compliance

Zebra hereby declares that this device is in compliance with Directives 2014/30/EU, 2014/35/EU and 2011/65/EU.

The full text of the EU Declaration of Conformity is available at: zebra.com/doc.

EU Importer: Zebra Technologies B.V

Address: Mercurius 12, 8448 GX Heerenveen, Netherlands

Waste Electrical and Electronic Equipment (WEEE)

For EU and UK Customers: For products at the end of their life, please refer to recycling/disposal advice at: zebra.com/weee.

United States and Canada Regulatory

Radio Frequency Interference Notices

This device complies with Part 15 of the FCC Rules. Operation is subject to the following two conditions: (1) this device may not cause harmful interference, and (2) this device must accept any interference received including interference that may cause undesired operation.



NOTE: This equipment has been tested and found to comply with the limits for a Class B digital device, pursuant to Part 15 of the FCC rules. These limits are designed to provide reasonable protection against harmful interference in a residential installation. This equipment generates, uses and can radiate radio frequency energy and, if not installed and used in accordance with the instructions, may cause harmful interference to radio communications. However, there is no guarantee that interference will not occur in a particular installation. If this equipment does cause harmful interference to radio or television reception, which can be determined by turning the equipment off and on, the user is encouraged to try to correct the interference by one or more of the following measures:

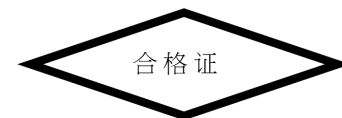
- Reorient or relocate the receiving antenna.
- Increase the separation between the equipment and receiver.
- Connect the equipment into an outlet on a circuit different from that to which the receiver is connected.
- Consult the dealer or an experienced radio/TV technician for help.

Radio Frequency Interference Requirements – Canada


Innovation, Science and Economic Development Canada ICES-003 Compliance Label: CAN ICES-003 (B)/NMB-003(B)

中国 (China)

通过访问以下网址可下载当地语言支持的产品说明书 www.zebra.com/support



产品中有害物质的名称及含量

部件名称	有害物质					
	铅 (Pb)	汞 (Hg)	镉 (Cd)	六价铬 (Cr(VI))	多溴联苯 (PBB)	
金属部件	○	○	○	○	○	○
电路模块	X	○	○	○	○	○
电缆及电缆组件	○	○	○	○	○	○
塑料和聚合物部件	○	○	○	○	○	○
光学和光学组件	○	○	○	○	○	○

本表格依据 SJ/T 11364 的规定编制。

○: 表示该有害物质在该部件所有均质材料中的含量均在 GB/T 26572 规定的限量要求以下。

X: 表示该有害物质至少在该部件的某一均质材料中的含量超出GB/T 26572 规定的限量要求。(企业可在此处, 根据实际情况对上表中打“x”的技术原因进行进一步说明。)

Евразийский Таможенный Союз (EAC)

Данный продукт соответствует требованиям знака EAC.



TÜRK WEEE Uyumluluk Beyanı

EEE Yönetmeliğine Uygundur.



United Kingdom

Statement of Compliance

Zebra hereby declares that this device is in compliance with Electromagnetic Compatibility Regulations 2016, the Electrical Equipment (Safety) Regulations 2016 and the Restriction of the Use of Certain Hazardous Substances in Electrical and Electronic Equipment Regulations 2012.

The full text of the UK Declaration of Conformity is available at: zebra.com/doc.

UK Importer: Zebra Technologies Europe Limited

Address:

Dukes Meadow, Millboard Rd, Bourne End, Buckinghamshire, SL8 5XF

Warranty

For the complete Zebra hardware product warranty statement, go to: zebra.com/warranty.

Service Information

Before you use the unit, it must be configured to operate in your facility's network and run your applications.

If you have a problem running your unit or using your equipment, contact your facility's Technical or System Support. If there is a problem with the equipment, they will contact Zebra support at zebra.com/support.

For the latest version of the guide go to: zebra.com/support.

Product Support Information

- For information on using this product, see the User Guide at zebra.com/et60-info.
- To find quick answers to known product behaviors, access our knowledge articles at supportcommunity.zebra.com/s/knowledge-base.
- Ask your questions in our Support community at supportcommunity.zebra.com.
- Download product manuals, drivers, software, and view how-to videos at zebra.com/support.
- To request a repair for your product, go to zebra.com/repair.

Patent Information

To view Zebra patents, go to ip.zebra.com.