



# Cisco UCS X410c M7 Compute Node

A printed version of this document is only a copy and not necessarily the latest version. Refer to the following link for the latest released version:

<https://www.cisco.com/c/en/us/products/servers-unified-computing/ucs-x-series-modular-system/datasheet-listing.html>

---

<b>OVERVIEW</b> .....	<b>3</b>
<b>DETAILED VIEWS</b> .....	<b>5</b>
Cisco UCS X410c M7 Compute Node Front View .....	5
<b>COMPUTE NODE STANDARD CAPABILITIES and FEATURES</b> .....	<b>6</b>
<b>CONFIGURING the Cisco UCS X410c M7 Compute Node</b> .....	<b>9</b>
STEP 1 CHOOSE BASE Cisco UCS X410c M7 Compute Node SKU .....	10
STEP 2 CHOOSE CPU(S) .....	11
STEP 3 CHOOSE MEMORY .....	13
Memory configurations and mixing rules .....	16
STEP 4 CHOOSE REAR mLOM ADAPTER .....	18
STEP 5 CHOOSE OPTIONAL REAR MEZZANINE VIC/BRIDGE ADAPTERS .....	21
STEP 6 CHOOSE OPTIONAL FRONT MEZZANINE ADAPTER .....	23
STEP 7 CHOOSE OPTIONAL GPU PCIe NODE .....	24
STEP 8 CHOOSE OPTIONAL GPUs .....	25
STEP 9 CHOOSE OPTIONAL DRIVES .....	26
STEP 10 ORDER M.2 SATA SSDs AND RAID CONTROLLER .....	29
STEP 11 CHOOSE OPTIONAL TRUSTED PLATFORM MODULE .....	30
STEP 12 CHOOSE OPERATING SYSTEM AND VALUE-ADDED SOFTWARE .....	31
STEP 13 CHOOSE OPTIONAL OPERATING SYSTEM MEDIA KIT .....	34
<b>SUPPLEMENTAL MATERIAL</b> .....	<b>35</b>
Simplified Block Diagram .....	35
System Board .....	37
<b>UPGRADING or REPLACING CPUs</b> .....	<b>38</b>
<b>UPGRADING or REPLACING MEMORY</b> .....	<b>39</b>
<b>TECHNICAL SPECIFICATIONS</b> .....	<b>40</b>
Dimensions and Weight .....	40
Environmental Specifications .....	40

## OVERVIEW

The Cisco UCS X-Series Modular System simplifies your data center, adapting to the unpredictable needs of modern applications while also providing for traditional scale-out and enterprise workloads. It reduces the number of server types to maintain, helping to improve operational efficiency and agility as it helps reduce complexity. Powered by the Cisco Intersight™ cloud operations platform, it shifts your thinking from administrative details to business outcomes with hybrid cloud infrastructure that is assembled from the cloud, shaped to your workloads, and continuously optimized.

The Cisco UCS X410c M7 Compute Node is the computing device to integrate into the Cisco UCS X-Series Modular System. Up to eight compute nodes can reside in the 7-Rack-Unit (7RU) Cisco UCS X9508 Chassis, offering one of the highest densities of compute, IO, and storage per rack unit in the industry.

The Cisco UCS X410c M7 Compute Node harnesses the power of the latest 4<sup>th</sup> Gen Intel® Xeon® Scalable Processors (Sapphire Rapids), and offers the following:

- **CPU:** Four 4<sup>th</sup> Gen Intel® Xeon® Scalable Processors (codenamed Sapphire Rapids) with up to 60 cores per processor.
- **Memory:** Up to 16TB with 64 x 256GB<sup>1</sup> DDR5-4800MT/s DIMMs, in a 4-sockets configuration.
- **Storage:** Up to 6 hot-pluggable, Solid-State Drives (SSDs), or Non-Volatile Memory Express (NVMe) 2.5-inch drives with a choice of enterprise-class Redundant Array of Independent Disks (RAID) or pass-through controllers with four lanes each of PCIe Gen 4 connectivity and up to 2 M.2 SATA drives for flexible boot and local storage capabilities.
- **mLOM virtual interface cards:**
  - Cisco UCS Virtual Interface Card (VIC) 15420 occupies the server's Modular LAN on Motherboard (mLOM) slot, enabling up to 50Gbps (2 x25Gbps) of unified fabric connectivity to each of the chassis Intelligent Fabric Modules (IFMs) for 100Gbps connectivity per server.
  - Cisco UCS Virtual Interface Card (VIC) 15231 occupies the server's Modular LAN on Motherboard (mLOM) slot, enabling up to 100Gbps of unified fabric connectivity to each of the chassis Intelligent Fabric Modules (IFM) for 200Gbps (2x 100Gbps) connectivity per server.
- **Optional Mezzanine card:**
  - Cisco UCS Virtual Interface Card (VIC) 15422 can occupy the server's mezzanine slot at the bottom rear of the chassis. An included bridge card extends this VIC's 100Gbps (4 x 25Gbps) of network connections through IFM connectors, bringing the total bandwidth to 100Gbps per VIC 15420 and 15422 (for a total of 200Gbps per server). In addition to IFM connectivity, the VIC 15422 I/O connectors link to Cisco UCS X-Fabric technology.
  - Cisco UCS PCI Mezz card for X-Fabric can occupy the server's mezzanine slot at the bottom rear of the chassis. This card's I/O connectors link to Cisco UCS X-Fabric modules and enable connectivity to the X440p PCIe Node.
- **Security:** Includes secure boot silicon root of trust FPGA, ACT2 anti-counterfeit provisions, and optional Trusted Platform Model (TPM).

*Figure 1 on page 5* shows a front view of the Cisco UCS X410c M7 Compute Node.

### Notes

---

1. Available Post FCS (First Customer Shipment)

Figure 1 Cisco UCS X410c M7 Compute Node

Front View with Drives



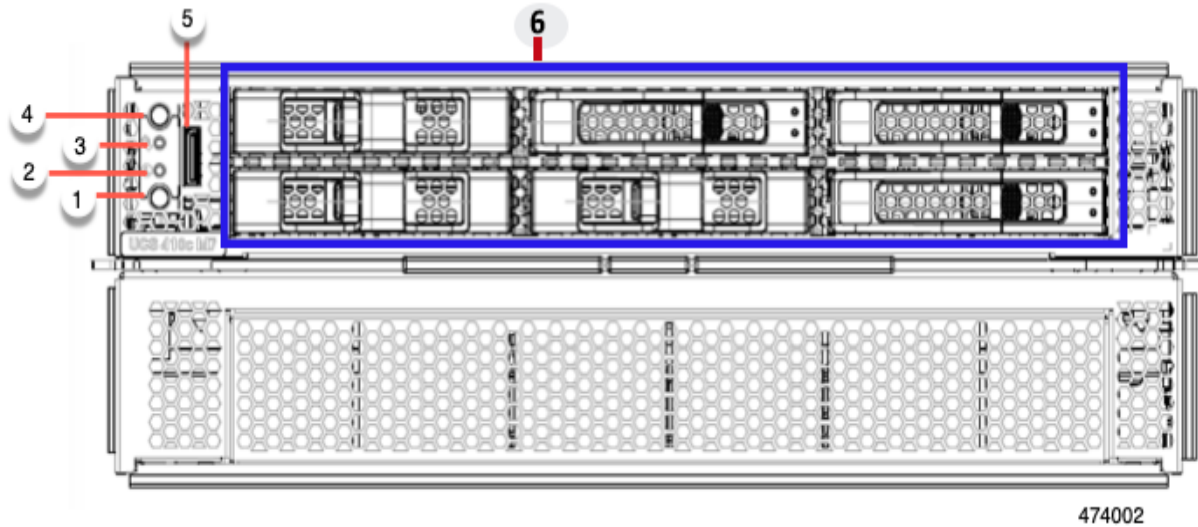
# DETAILED VIEWS

## Cisco UCS X410c M7 Compute Node Front View

Figure 2 shows a front view of the Cisco UCS X410c M7 Compute Node.

Figure 2 Cisco UCS X410c M7 Compute Node Front View (Drives option)

Storage Drives Option



1	Power button/LED	4	Locator LED/Switch
2	System Activity LED	5	External Optical Connector (Oculink) that supports local console functionality.
3	System Health LED	6	Drive Bay slots 1-6


# COMPUTE NODE STANDARD CAPABILITIES and FEATURES

*Table 1* lists the capabilities and features of the base Cisco UCS X410c M7 Compute Node. Details about how to configure the compute node for a listed feature or capability (for example, number of processors, disk drives, or amount of memory) are provided in [CONFIGURING the Cisco UCS X410c M7 Compute Node on page 9](#).

**Table 1 Capabilities and Features**

Capability/Feature	Description
Chassis	The Cisco UCS X410c M7 Compute Node mounts in a Cisco UCS X9508 chassis.
CPU	<ul style="list-style-type: none"> <li>■ Four 4<sup>th</sup> Gen Intel® Xeon® Scalable Processors (codenamed Sapphire Rapids).</li> <li>■ Each CPU has 8 channels with up to 2 DIMMs per channel, for up to 16 DIMMs per CPU.</li> <li>■ UPI Links: Up to Four at 16GT/s</li> </ul>
Chipset	Intel® C741 series chipset
Memory	<ul style="list-style-type: none"> <li>■ 64 total DDR5-4800 MT/s DIMM slots (16 per CPU)</li> <li>■ 50% peak bandwidth increase over DDR4-3200, with on-die ECC; all densities are Registered DIMMs (RDIMMs)</li> <li>■ Up to 16TB DDR5-4800 MT/s Memory DIMM capacity (64x 256GB<sup>1</sup> DIMMs)</li> </ul>
Mezzanine Adapter (Rear)	<ul style="list-style-type: none"> <li>■ An optional Cisco UCS Virtual Interface Card 15422 can occupy the server’s mezzanine slot at the bottom of the chassis. A bridge card extends this VIC’s 2x 50Gbps of network connections up to the mLOM slot and out through the mLOM’s IFM connectors, bringing the total bandwidth to 100Gbps per fabric—a total of 200Gbps per server.</li> <li>■ An optional UCS PCIe Mezz card for X-Fabric is also supported in the server’s mezzanine slot. This card’s I/O connectors link to the Cisco UCS X-Fabric modules for UCS X-series Gen4 PCIe node access.</li> </ul>
mLOM	<p>The modular LAN on motherboard (mLOM) cards (the Cisco UCS VIC 15231 and 15420) is located at the rear of the compute node.</p> <ul style="list-style-type: none"> <li>■ The Cisco UCS VIC 15420 is a Cisco designed PCI Express (PCIe) based card that supports two 2x25G-KR network interfaces to provide Ethernet communication to the network by means of the Intelligent Fabric Modules (IFMs) in the Cisco UCS X9508 chassis. The Cisco UCS VIC 15420 mLOM can connect to the rear mezzanine adapter card with a bridge connector.</li> <li>■ The Cisco UCS VIC 15231 is a Cisco designed PCI Express (PCIe) based card that supports two 2x100G-KR network interfaces to provide Ethernet communication to the network by means of the Intelligent Fabric Modules (IFMs) in the Cisco UCS X9508 chassis</li> </ul>

Table 1 Capabilities and Features (*continued*)

Capability/Feature	Description
Mezzanine Adapters (Front)	<p>One front mezzanine connector that supports:</p> <ul style="list-style-type: none"> <li>■ Up to 6 x 2.5-inch SAS and SATA RAID-compatible SSDs</li> <li>■ Up to 6 x 2.5-inch NVMe PCIe drives</li> <li>■ A mixture of up to six SAS/SATA or NVMe drives</li> </ul>  <p><b>Note:</b> Drives require a RAID or pass-through controller in the front mezzanine module slot</p>
Additional Storage	Dual 80 mm SATA 3.0 M.2 cards (up to 960 GB per card) on a boot-optimized hardware RAID controller
Video	<p>Video uses a Matrox G200e video/graphics controller.</p> <ul style="list-style-type: none"> <li>■ Integrated 2D graphics core with hardware acceleration</li> <li>■ DDR4 memory interface supports up to 512 MB of addressable memory (16 MB is allocated by default to video memory)</li> <li>■ Supports display resolutions up to 1920 x 1200 32 bpp@ 60Hz</li> <li>■ Video is available with an Oculink connector on the front panel. An adapter cable (PID UCSX-C-DEBUGCBL) is required to connect the OCuLink port to the transition serial USB and video (SUV) octopus cable.</li> </ul>
Front Panel Interfaces	OCuLink console port. Note that an adapter cable is required to connect the OCuLink port to the transition serial USB and video (SUV) octopus cable.
Power subsystem	Power is supplied from the Cisco UCS X9508 chassis power supplies. The Cisco UCS X410c M7 Compute Node consumes a maximum of 2500W.
Fans	Integrated in the Cisco UCS X9508 chassis.
Integrated management processor	The built-in Cisco Integrated Management Controller enables monitoring of Cisco UCS X410c M7 Compute Node inventory, health, and system event logs.
Baseboard Management Controller (BMC)	ASPEED Pilot IV
ACPI	Advanced Configuration and Power Interface (ACPI) 6.2 Standard Supported. ACPI states S0 and S5 are supported. There is no support for states S1 through S4.
Front Indicators	<ul style="list-style-type: none"> <li>■ Power button and indicator</li> <li>■ System activity indicator</li> <li>■ Location button and indicator</li> </ul>
Management	<a href="#">Cisco Intersight software</a> (SaaS, Virtual Appliance and Private Virtual Appliance)
Fabric Interconnect	Compatible with the Cisco UCS 6454, 64108 and 6536 fabric interconnects
Chassis	Compatible with the Cisco UCS 9508 X-Series Server Chassis

**Notes:**

1. Available post first customer ship (FCS).



# CONFIGURING the Cisco UCS X410c M7 Compute Node

Follow these steps to configure the Cisco UCS X410c M7 Compute Node:

- *STEP 1 CHOOSE BASE Cisco UCS X410c M7 Compute Node SKU, page 10*
- *STEP 2 CHOOSE CPU(S), page 11*
- *STEP 3 CHOOSE MEMORY, page 13*
- *STEP 4 CHOOSE REAR mLOM ADAPTER, page 18*
- *STEP 5 CHOOSE OPTIONAL REAR MEZZANINE VIC/BRIDGE ADAPTERS, page 21*
- *STEP 6 CHOOSE OPTIONAL FRONT MEZZANINE ADAPTER, page 23*
- *STEP 7 CHOOSE OPTIONAL GPU PCIe NODE, page 24*
- *STEP 8 CHOOSE OPTIONAL GPUs, page 25*
- *STEP 9 CHOOSE OPTIONAL DRIVES, page 26*
- *STEP 10 ORDER M.2 SATA SSDs AND RAID CONTROLLER, page 29*
- *STEP 11 CHOOSE OPTIONAL TRUSTED PLATFORM MODULE, page 30*
- *STEP 12 CHOOSE OPERATING SYSTEM AND VALUE-ADDED SOFTWARE, page 31*
- *STEP 13 CHOOSE OPTIONAL OPERATING SYSTEM MEDIA KIT, page 34*
- *SUPPLEMENTAL MATERIAL, page 35*

## STEP 1 CHOOSE BASE Cisco UCS X410c M7 Compute Node SKU

Top Level ordering product ID (PID) of the Cisco UCS X410c M7 Compute Node as shown in [Table 3](#)

Table 2 Top level ordering PID

Product ID (PID)	Description
UCSX-M7-MLB	UCSX M7 Modular Server and Chassis MLB

Verify the product ID (PID) of the Cisco UCS X410c M7 Compute Node as shown in [Table 4](#).

Table 3 PID of the Base Cisco UCS X410c M7 Compute Node

Product ID (PID)	Description
UCSX-X410C-M7	Cisco UCS X410c M7 Compute Node 4S Intel 4 <sup>th</sup> Gen CPU without CPU, memory, drive bays, drives, VIC adapter, or mezzanine adapters (ordered as a UCS X9508 chassis option)
UCSX-X410C-M7-U	Cisco UCS X410c M7 Compute Node 4S Intel 4 <sup>th</sup> Gen CPU without CPU, memory, drive bays, drives, VIC adapter, or mezzanine adapters (ordered standalone)

A base Cisco UCS X410c M7 Compute Node ordered in [Table 3](#) does not include any components or options. They must be selected during product ordering.

Please follow the steps on the following pages to order components such as the following, which are required in a functional compute node:

- CPUs
- Memory
- Cisco storage RAID or passthrough controller with drives (or blank, for no local drive support)
- SAS, SATA, NVMe, M.2, or U.2 drives
- Cisco adapters (such as the 15000 series VIC or Bridge)

## STEP 2 CHOOSE CPU(S)

The standard CPU features are:

- The 4<sup>th</sup> Gen Intel® Xeon® Scalable Processors (codenamed Sapphire Rapids) are paired with Intel® C741 series chipset
- Up to 60 cores
- Cache size of up to 112.50 MB
- Power: Up to 350Watts
- UPI Links: Up to Four at 16GT/s

### Select CPUs

The available CPUs are listed in [Table 4](#).

**Table 4 Available CPUs**

Product ID (PID)	Cores (C)	Clock Freq (GHz)	Power (W)	Cache Size (MB)	Highest DDR5 DIMM Clock Support (MT/s)
<b>8000 Series Processors</b>					
UCSX-CPU-I8490H	60	1.90	350	112.50	4800
UCSX-CPU-I8468H	48	2.10	330	105.00	4800
UCSX-CPU-I8460H	40	2.20	330	105.00	4800
UCSX-CPU-I8454H	32	2.10	270	82.50	4800
UCSX-CPU-I8450H	28	2.00	250	75.00	4800
UCSX-CPU-I8444H	16	2.90	270	45.00	4800
<b>6000 Series Processors</b>					
UCSX-CPU-I6448H	32	2.40	250	60.00	4800
UCSX-CPU-I6434H	8	3.70	195	22.50	4800
UCSX-CPU-I6418H	24	2.10	185	60.00	4800
UCSX-CPU-I6416H	18	2.20	165	45.00	4800

## Supported Configurations

---

(1) DRAM configuration:

- Select four identical CPUs listed in [Table 4 on page 11](#)

(2) Configurations with NVMe PCIe drives:

- Select four identical CPUs listed in [Table 4 on page 11](#)

(3) Four-CPU Configuration

- Choose four identical CPUs from any one of the rows of [Table 4 Available CPUs, page 11](#)

### STEP 3 CHOOSE MEMORY

The [Table 5](#) below describes the main memory DIMM features supported on Cisco UCS X410c M7 Compute Node.

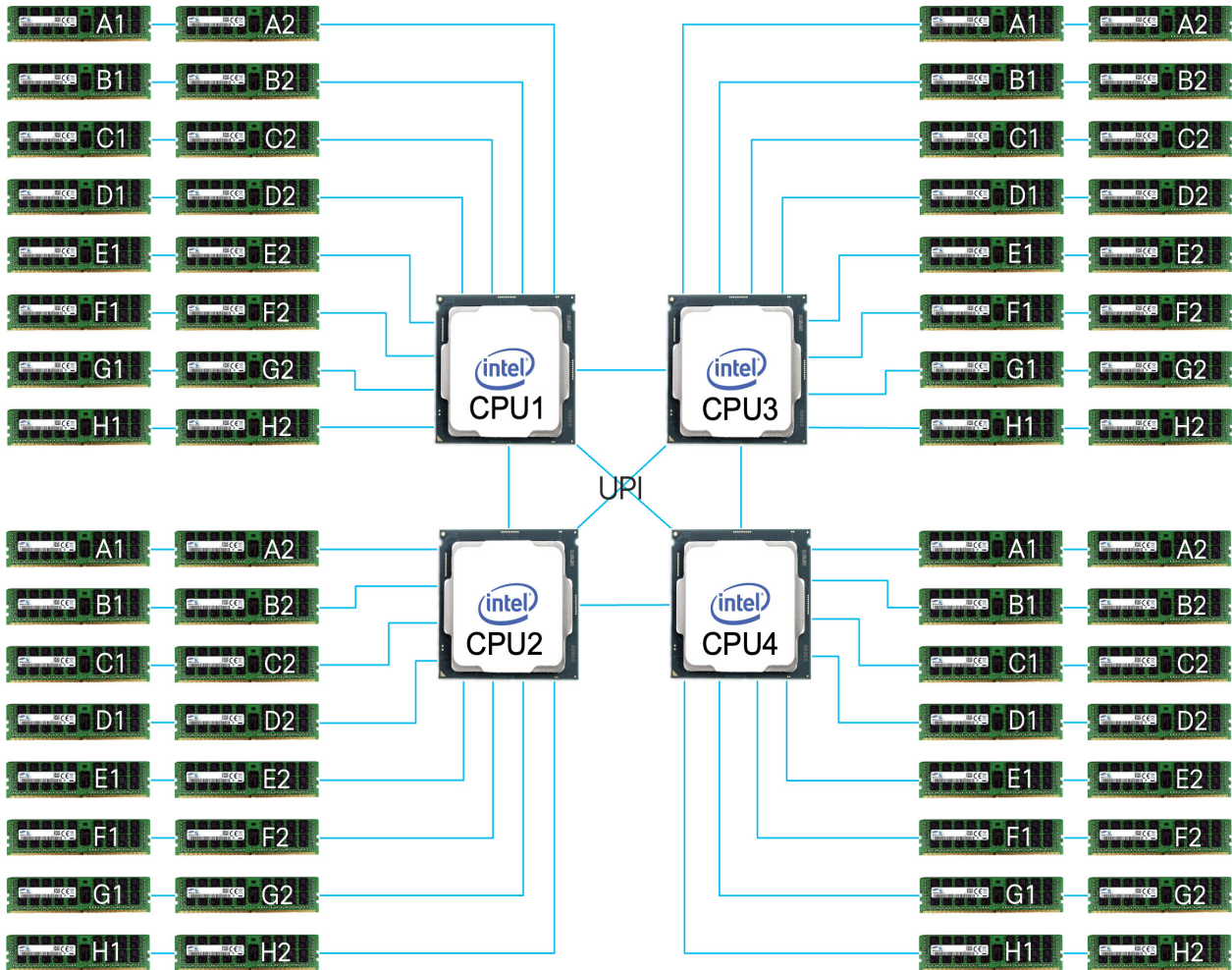
**Table 5 X410c M7 Main Memory Features**

Memory DIMM server technologies	Description
Maximum DDR5 memory clock speed	Up to 4800MT/s 1DPC; Up to 4400MT/S 2DPC
Operational voltage	1.1 Volts
DRAM Fab. density	16Gb
DRAM DIMM type	RDIMM (Registered DDR5 DIMM with on die ECC)
Memory DIMM organization	Eight memory DIMM channels per CPU; up to 2 DIMMs per channel
Maximum number of DRAM DIMM per server	64 (4-Socket)
DRAM DIMM densities and ranks	16GB 1Rx8, 32GB 1Rx4, 64GB 2Rx4, 128GB 4Rx4, 256GB <sup>1</sup> 8Rx4
Maximum system capacity (DRAM DIMMs only)	16TB (64x256GB <sup>1</sup> )

**Notes:**

1. 256GB DIMM Available post first customer ship (FCS)

Figure 3 Cisco UCS X410c M7 Compute Node Memory Organization



## Select DIMMs and Memory Mirroring

Select the memory configuration and whether or not you want the memory mirroring option. The available memory DIMMs and mirroring option are listed in [Table 6](#).



**NOTE:** When memory mirroring is enabled, the memory subsystem simultaneously writes identical data to two channels. If a memory read from one of the channels returns incorrect data due to an uncorrectable memory error, the system automatically retrieves the data from the other channel. A transient or soft error in one channel does not affect the mirrored data, and operation continues unless there is a simultaneous error in exactly the same location on a DIMM and its mirrored DIMM. Memory mirroring reduces the amount of memory available to the operating system by 50% because only one of the two populated channels provides data.

Table 6 Available DDR5 DIMMs

Product ID (PID)	PID Description
<b>DRAMs</b>	
UCSX-MRX16G1RE1	16GB DDR5-4800 RDIMM 1Rx8 (16Gb)
UCSX-MRX32G1RE1	32GB DDR5-4800 RDIMM 1Rx4 (16Gb)
UCSX-MRX64G2RE1	64GB DDR5-4800 RDIMM 2Rx4 (16Gb)
UCSX-MR128G4RE1	128GB DDR5-4800 RDIMM 4Rx4 (16Gb)
UCSX-MR256G8RE1 <sup>1</sup>	256GB DDR5-4800 RDIMM 8Rx4 (16Gb)
<b>Memory Mirroring Option</b>	
N01-MMIRRORD	Memory mirroring option
<b>Accessories/spare included with Memory configuration:</b>	
<ul style="list-style-type: none"> <li>■ UCS-DDR5-BLK<sup>2</sup> is auto included for the unselected DIMMs slots</li> </ul>	

**Notes:**

1. Available post first customer ship (FCS).
2. Any empty DIMM slot must be populated with a DIMM blank to maintain proper cooling airflow.

## Memory configurations and mixing rules

- Memory on every CPU socket shall be configured identically.
- System speed is dependent on the CPU DIMM speed support. Refer to [Available CPUs on page 11](#) for DIMM speeds.
- For full details on supported memory configurations see the [M7 Memory Guide](#)
- DIMM Count Rules:
  - DIMM count for 1-CPU as reference, not really allowed in X410c M7:
    - Minimum DIMM count = 1; Maximum DIMM count = 16
    - 1, 2, 4, 6, 8, 12<sup>1</sup>, or 16 DIMMs allowed
    - 3, 5, 7, 9, 10, 11, 13, 14, 15 DIMMs not allowed.
  - Allowed DIMM count for 4-CPU:
    - Minimum DIMM count = 4; Maximum DIMM count = 64
    - 4, 8, 16, 24, 32, 48<sup>1</sup>, or 64 DIMMs allowed
    - 12, 20, 28, 36, 40, 44, 52, 56, 60 DIMMs not allowed.

**NOTE(1):** 12 DIMMs count for 1-CPU and 48 DIMMs count for 4-CPU configurations are only allowed when all DIMMs have the same density.

- DIMM Population Rules:
  - Each channel has two memory slots (for example, channel A = slots A1 and A2)
    - A channel can operate with one or two DIMMs installed.
    - If a channel has only one DIMM, populate slot 1 first (the blue slot).
  - When all CPUs are installed, populate the memory slots of each CPU identically. Fill the blue slots (slot 1) in the memory channels first according to the recommended DIMM populations in [Table 7](#).

**Table 7 M7 DIMM Population Order per socket**

#DIMMs per CPU	Population of DIMM slots per socket <sup>1</sup>	
	Slot 1 (Blue)	Slot 2 (Black)
1	A1	-
2	A1, G1	-
4	A1, C1, E1, G1	-
6	A1, C1, D1, E1, F1, G1	-
8	A1, B1, C1, D1, E1, F1, G1, H1	-
12 <sup>2</sup>	A1, B1, C1, D1, E1, F1, G1, H1	A2, C2, E2, G2
16	A1, B1, C1, D1, E1, F1, G1, H1	A2, B2, C2, D2, E2, F2, G2, H2

**Notes:**

1. See [DIMM Mixing Rules](#) for allowed combinations across slots 1 and 2.
2. Only valid when DIMMs in blue and black slots are the same density.

- DIMM Mixing Rules:



- Higher rank DIMMs shall be populated on Slot 1.
- Mixing different DIMM densities in the same slot across channels is not supported. All populated slots of the same color must have the same DIMM density.
- The DIMM mixing rules matrix is described in the [Table 8](#), below.

**Table 8 Supported DIMM mixing and population across 2 slots in each channel**

Channel Mixing		DIMM Slot 2 (Black)				
DIMM Slot 1 (Blue)		16GB	32GB	64GB	128GB	256GB <sup>3</sup>
		1Rx8	1Rx4	2Rx4	4Rx4	8Rx4
16GB	1Rx8	Yes <sup>1</sup>	No	No	No	No
32GB	1Rx4	No	Yes <sup>1</sup>	No	No	No
64GB	2Rx4	No	Yes <sup>2</sup>	Yes <sup>1</sup>	No	No
128GB	4Rx4	No	No	No	Yes	No
256GB <sup>3</sup>	8Rx4	No	No	No	Yes <sup>2</sup>	Yes <sup>1</sup>

**Notes:**

1. Only 6 or 8 channels are allowed (for 2, 4, or 8 DIMMs you would just populate 1 DPC on 2, 4, or 8 channels)
2. When mixing two different DIMM densities, all 8 channels per CPU must be populated. Use of fewer than 8 channels (16 slots per CPU) is not supported.
3. [Available post first customer ship \(FCS\)](#)

■ **Memory Limitations:**

- Memory on every CPU socket shall be configured identically.
- Refer to [Table 7](#) and [Table 8](#) for DIMM population and DIMM mixing rules.
- Cisco memory from previous generation servers (DDR3 and DDR4) is not supported with the M7 servers.

■ **For best performance, observe the following:**

- For optimum performance, populate at least one DIMM per memory channel per CPU. When one DIMM per channel is used, it must be populated in DIMM slot 1 (blue slot farthest away from the CPU) of a given channel.
- The maximum 2 DPC speed is 4400 MT/s, refer to [Table 9](#) for the details.

**Table 9 DDR5-4800 DIMM 1DPC and 2DPC speed matrix**

CPU speed/ DIMM speed	DDR5 DIMM 1DPC	DDR5 DIMM 2DPC
CPU 4800 MT/s	4800 MT/s	4400 MT/s



**NOTE:** For full details on supported memory configurations see the [M7 Memory Guide](#)

## STEP 4 CHOOSE REAR mLOM ADAPTER

The Cisco UCS X410c M7 Compute Node must be ordered with a Cisco VIC mLOM Adapter. The adapter is located at the back and can operate in a single-CPU or dual-CPU configuration.

*Table 10* shows the mLOM adapter choices.

Table 10 mLOM Adapters

Product ID (PID)	Description	Connection type
UCSX-ML-V5D200G-D	Cisco UCS VIC 15231 2x100/200G mLOM for X410c M7 Compute Node	mLOM
UCSX-ML-V5Q50G-D	Cisco UCS VIC 15420 4x25G secure boot mLOM for X Compute Node	mLOM



**NOTE:**

- VIC 15420, or 15231 are supported with both X9108-IFM-25G and X9108-IFM-100G. VIC 15420 will operate at 4x 25G with both X9108-IFM-25G and X9108-IFM-100G. While, VIC 15231 will operate at 4x 25G with X9108-IFM-25G and at 2x 100G with X9108-IFM-100G.
- The mLOM adapter is mandatory for the Ethernet connectivity to the network by means of the IFMs and has x16 PCIe Gen4 connectivity with Cisco UCS VIC 15420 or x16 Gen4 connectivity with Cisco UCS VIC 15231 towards the CPU1.
- There is no backplane in the Cisco UCS X9508 chassis; thus, the compute nodes directly connect to the IFMs using Orthogonal Direct connectors.
- *Figure 4* shows the location of the mLOM and rear mezzanine adapters on the Cisco UCS X410c M7 Compute Node. The bridge adapter connects the mLOM adapter to the rear mezzanine adapter.

Figure 4 shows the network connectivity from the mLOM out to the 25G IFMs.

Figure 4 Network Connectivity 25G IFMs

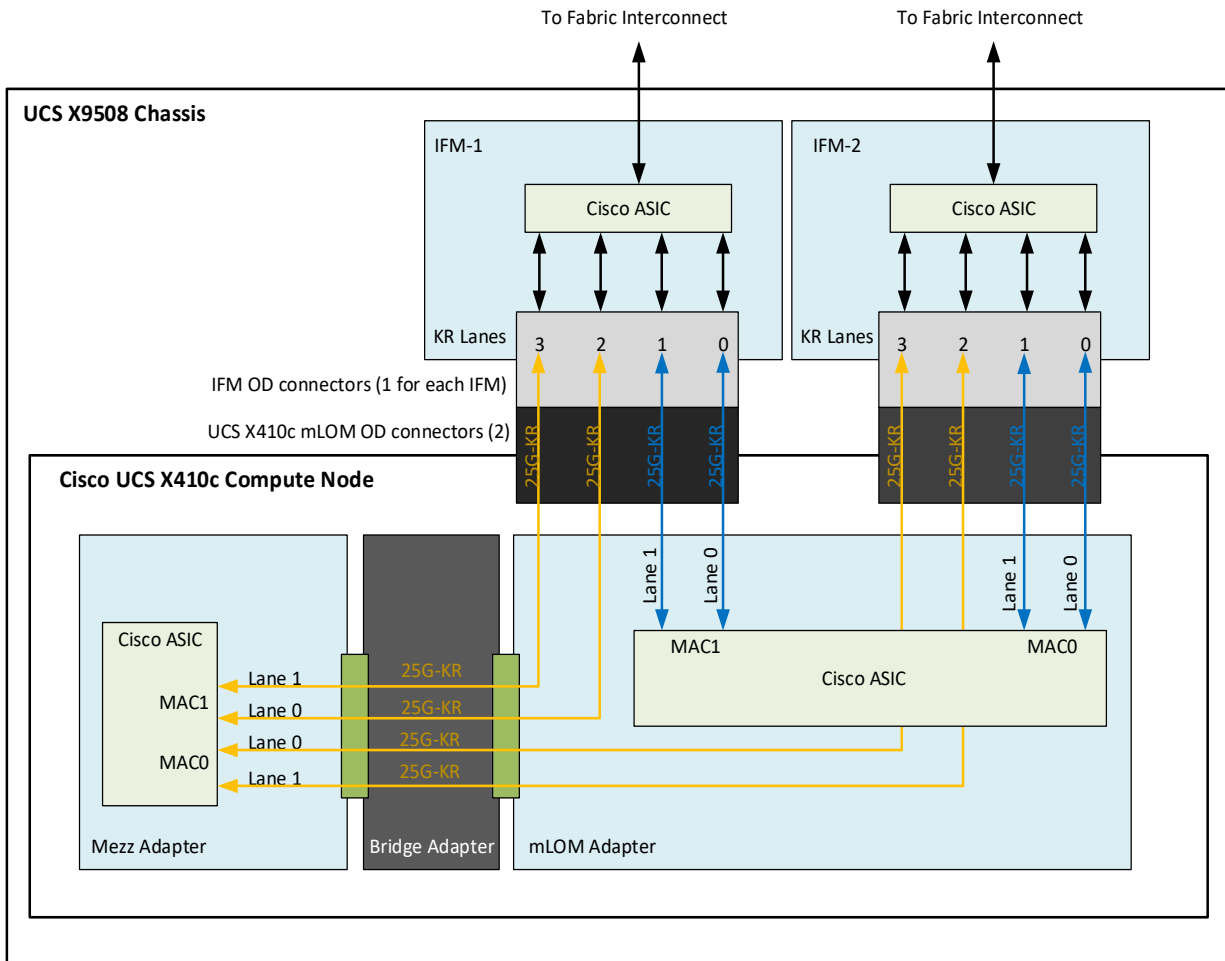
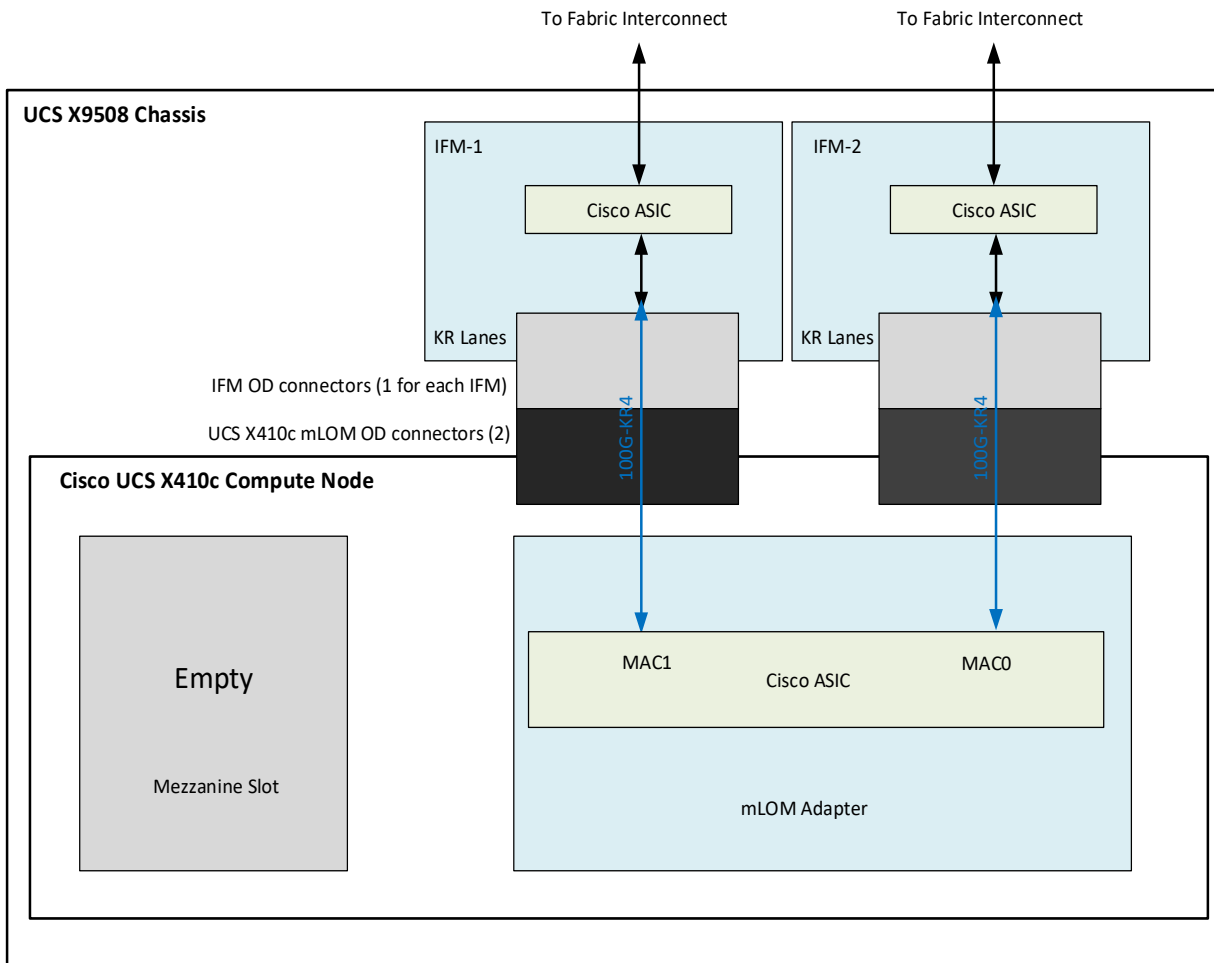


Figure 5 shows the network connectivity from the mLOM out to the 100G IFMs.

Figure 5 Network Connectivity 100G IFMs



## STEP 5 CHOOSE OPTIONAL REAR MEZZANINE VIC/BRIDGE ADAPTERS

The Cisco UCS X410c M7 Compute Node has one rear mezzanine adapter connector which can have a UCS VIC 15422 Mezz card that can be used as a second VIC card on the compute node for network connectivity or as a connector to the X440p PCIe node via X-Fabric modules. The same mezzanine slot on the compute node can also accommodate a pass-through mezzanine adapter for X-Fabric which enables compute node connectivity to the X440p PCIe node. Refer to [Table 11](#) for supported adapters.

**Table 11 Available Rear Mezzanine Adapters**

Product ID(PID)	PID Description	Connector Type
<b>Cisco VIC Card</b>		
UCSX-V4-PCIME-D <sup>1</sup>	UCS PCI Mezz Card for X-Fabric	Rear Mezzanine connector on motherboard
UCSX-ME-V5Q50G-D	Cisco UCS VIC 15422 4x25G secure boot mezz for X Compute Node	Rear Mezzanine connector on motherboard
<b>Cisco VIC Bridge Card<sup>2</sup></b>		
UCSX-V5-BRIDGE-D	UCS VIC 15000 bridge to connect mLOM and mezz X Compute Node  (This bridge to connect the Cisco VIC 15420 mLOM and Cisco VIC 15422 Mezz for the X410c M7 Compute Node)	One connector on Mezz card and one connector on mLOM card

**Notes:**

1. If this adapter is selected, then two CPUs are required and **UCSX-ME-V5Q50G-D** or **UCSX-V4-PCIME-D** is required.
2. Included with the Cisco VIC 15422 mezzanine adapter.



**NOTE:** The **UCSX-V4-PCIME-D** rear mezzanine card for X-Fabric has PCIe Gen4 x16 connectivity towards each CPU1 and CPU2. Additionally, the **UCSX-V4-PCIME-D** also provides two PCIe Gen4 x16 to each X-fabric. This rear mezzanine card enables connectivity from the X410c M7 Compute Node to the X440p PCIe node.

Table 12 Throughput Per UCS X410c M7 Server

X410c M7 Compute Node	FI-6536 + X9108-IFM-100G	FI-6536/6400 + X9108-IFM-25G	FI-6536 + X9108-IFM-25G/100G or FI-6400 + X9108-IFM-25G	FI-6536 + X9108-IFM-25G/100G or FI-6400 + X9108-IFM-25G	
X410c configuration	VIC 15231	VIC 15231	VIC 15420	VIC 15420 + VIC 15422	
Throughput per node	200G (100G per IFM)	100G (50G per IFM)	100G (50G per IFM)	200G (100G per IFM)	
vNICs needed for max BW	2	2	2	4	
KR connectivity from VIC to each IFM	1x 100GKR	2x 25GKR	2x 25GKR	4x 25GKR	
Single vNIC throughput on VIC	100G (1x100GKR)	50G (2x25G KR)	50G (2x25G KR)	50G (2x25G KR)	50G (2x25G KR)
Max Single flow BW per vNIC	100G	25G	25G	25G	25G
Single vHBA throughput on VIC	100G	50G	50G	50G	50G

**Supported Configurations**

- One of mLOM VIC from [Table 10](#) is always required.
- If a UCSX-ME-V5Q50G-D rear mezzanine VIC card is installed, a UCSX-V5-BRIDGE-D VIC bridge card is included and connects the mLOM to the mezzanine adapter.
- The UCSX-ME-V5Q50G-D rear mezzanine card has Ethernet connectivity to the IFM using the UCSX-V5-BRIDGE-D and has a PCIe Gen4 x16 connectivity towards CPU2. Additionally, the UCSX-ME-V5Q50G-D also provides two PCIe Gen4 x16 to each X-fabric.
- All the connections to Cisco UCS X-Fabric 1 and Cisco UCS X-Fabric 2 are through the Molex Orthogonal Direct (OD) connector on the mezzanine card.
- The rear mezzanine card has 32 x16PCIe lanes to each Cisco UCS X-Fabric for I/O expansion to enable resource consumption from the PCIe resource nodes.

## STEP 6 CHOOSE OPTIONAL FRONT MEZZANINE ADAPTER

The Cisco UCS X410c M7 Compute Node has one front mezzanine connector that can accommodate one of the following mezzanine cards:

- Pass-through controller for up to 6 U.2 NVMe drives
- RAID controller (RAID 0, 1, 5, 10) for 6 SAS/SATA drives or up to 4 U.2 NVMe drives



### NOTE:

- The Cisco UCS X410c M7 Compute Node can be ordered with or without the front mezzanine adapter. Refer to [Table 13 Available Front Mezzanine Adapters](#)
- Only one Front Mezzanine connector per Server

Table 13 Available Front Mezzanine Adapters

Product ID(PID)	PID Description	Connector Type
UCSX-X10C-PT4F-D	Cisco UCS X410c M7 Compute Node compute pass through controller for up to 6 NVMe drives	Front Mezzanine
UCSX-X10C-RAIDF-D	Cisco UCS X410c M7 Compute Node RAID controller with LSI 3900 for up to 6 SAS/SATA drives or up to 4 U.2 NVMe drives (SAS/SATA and NVMe drives can be mixed).	Front Mezzanine

## STEP 7 CHOOSE OPTIONAL GPU PCIe NODE

Refer to [Table 14](#) for GPU PCIe Node

Table 14 GPU PCIe Node<sup>1</sup>

Product ID(PID)	PID Description
UCSX-440P-D	UCS X-Series Gen4 PCIe node

**Notes:**

1. [Available post first customer ship \(FCS\)](#)



**NOTE:** If UCSX-440P-D is selected, then rear mezzanine is required.

---



## STEP 8 CHOOSE OPTIONAL GPUS

### Select GPU Options

---

The available PCIe node GPU options are listed in [Table 15](#).

**Table 15 Available PCIe GPU Cards supported on the PCIe Node**

GPU Product ID (PID)	PID Description	Maximum number of GPUs per node
UCSX-GPU-A16-D	NVIDIA A16 PCIE 250W 4X16GB	2
UCSX-GPU-A40-D	TESLA A40 RTX, PASSIVE, 300W, 48GB	2
UCSX-GPU-A100-80-D	TESLA A100, PASSIVE, 300W, 80GB	2

**Notes:**

1. Required power cables are included with the riser cards in the X440p PCIe node.

## STEP 9 CHOOSE OPTIONAL DRIVES

The Cisco UCS X410c M7 Compute Node can be ordered with or without drives. The drive options are:

- One to six 2.5-inch small form factor SAS/SATA SSDs or PCIe U.2 NVMe drives
  - Hot-pluggable
  - Sled-mounted

Select one or two drives from the list of supported drives available in [Table 16](#).

**Table 16 Available Drive Options**

Product ID (PID)	Description	Drive Type	Speed	Size
<b>SAS/SATA SSDs<sup>1,2,3</sup></b>				
<b>Self-Encrypted Drives (SED)</b>				
UCSX-SD76TBK9-D	7.6TB Enterprise value SAS SSD (1X DWPD, SED-FIPS)	SAS		7.6TB
UCSX-SD38TBK9-D	3.8TB Enterprise Value SAS SSD (1X DWPD, SED)	SAS		3.8TB
UCSX-SD16TBK9-D	1.6TB Enterprise performance SAS SSD (3X DWPD, SED)	SAS		1.6TB
UCSXSD960GBK9-D	960GB 2.5" Enterprise value 12G SAS SSD (1X endurance, FIPS)	SAS		960GB
UCSXSD800GBK9-D	800GB Enterprise performance SAS SSD (3X DWPD, SED)	SAS		800GB
UCSXSD76TBEM2K9-D	7.6TB Enterprise value SATA SSD (1X, SED)	SATA		7.6TB
UCSXSD38TBEM2K9-D	3.8TB Enterprise value SATA SSD (1X, SED)	SATA		3.8TB
UCSXSD960GBM2K9-D	960GB Enterprise value SATA SSD (1X, SED)	SATA		960GB
<b>Enterprise Performance SSDs (high endurance, supports up to 3X DWPD (drive writes per day))</b>				
UCSXSD800GK3XEP-D	800GB 2.5in Enterprise Performance 12G SAS SSD (3X endurance)	SAS	12G	800GB
UCSX-SD16TK3XEP-D	1.6TB 2.5in Enterprise Performance 12G SAS SSD (3X endurance)	SAS	12G	1.6TB
UCSX-SD32TK3XEP-D	3.2TB 2.5in Enterprise Performance 12G SAS SSD (3X endurance)	SAS	12G	3.2TB
UCSXSD800GS3XEP-D	800GB 2.5in Enterprise Performance 12G SAS SSD (3X endurance)	SAS	12G	800GB
UCSX-SD16TS3XEP-D	1.6TB 2.5in Enterprise Performance 12G SAS SSD (3X endurance)	SAS	12G	1.6TB
UCSX-SD32TS3XEP-D	3.2TB 2.5in Enterprise Performance 12G SAS SSD (3X endurance)	SAS	12G	3.2TB
UCSX-SD19T63XEP-D	1.9TB 2.5 inch Enterprise performance 6G SATA SSD (3X endurance)	SATA	6G	1.9TB
UCSX-SD19TM3XEP-D	1.9TB 2.5 inch Enterprise performance 6G SATA SSD (3X endurance)	SATA	6G	1.9TB
UCSXSD480G63XEP-D	480GB 2.5in Enterprise performance 6G SATA SSD (3X endurance)	SATA	6G	480GB
UCSXSD480GM3XEP-D	480GB 2.5in Enterprise performance 6G SATA SSD (3X endurance)	SATA	6G	480GB
UCSXSD960G63XEP-D	960GB 2.5 inch Enterprise performance 6G SATA SSD (3X endurance)	SATA	6G	960GB

Table 16 Available Drive Options (*continued*)

Product ID (PID)	Description	Drive Type	Speed	Size
UCSX-SD38T63XEP-D	3.8TB 2.5 in Enterprise performance 6G SATA SSD (3X endurance)	SATA	6G	3.8TB
UCSXSD960GM3XEP-D	960GB 2.5 inch Enterprise performance 6G SATA SSD (3X endurance)	SATA	6G	960GB
<b>Enterprise Value SSDs (Low endurance, supports up to 1X DWPD (drive writes per day))</b>				
UCSXSD240GM1XEV-D	240GB 2.5 inch Enterprise Value 6G SATA SSD	SATA	6G	240GB
UCSXSD960GM1XEV-D	960GB 2.5 inch Enterprise Value 6G SATA SSD	SATA	6G	960GB
UCSX-SD16TM1XEV-D	1.6TB 2.5 inch Enterprise Value 6G SATA SSD	SATA	6G	1.6TB
UCSX-SD19TM1XEV-D	1.9TB 2.5 inch Enterprise Value 6G SATA SSD	SATA	6G	1.9TB
UCSX-SD38TM1XEV-D	3.8TB 2.5 inch Enterprise Value 6G SATA SSD	SATA	6G	3.8TB
UCSXSD38T611XEV-D	3.8TB 2.5 inch Enterprise Value 6G SATA SSD	SATA	6G	3.8TB
UCSXSD19T6S1XEV-D	1.9TB 2.5 inch Enterprise Value 6G SATA SSD	SATA	6G	1.9TB
UCSXSD38T6S1XEV-D	3.8TB 2.5 inch Enterprise Value 6G SATA SSD	SATA	6G	3.8TB
UCSX-SD76TM1XEV-D	7.6TB 2.5 inch Enterprise Value 6G SATA SSD	SATA	6G	7.6TB
UCSXSD76T6S1XEV-D	7.6TB 2.5 inch Enterprise Value 6G SATA SSD	SATA	6G	7.6TB
UCXSX480G6I1XEV-D	480 GB 2.5 inch Enterprise Value 6G SATA Intel SSD	SATA	6G	480GB
UCXSX960G6I1XEV-D	960GB 2.5 inch Enterprise Value 6G SATA Intel SSD	SATA	6G	960GB
UCXSX960G6S1XEV-D	960GB 2.5 inch Enterprise Value 6G SATA Samsung SSD	SATA	6G	960GB
UCSXSD960GK1XEV-D	960GB 2.5in Enter Value 12G SAS Kioxia G1 SSD	SAS	12G	960GB
UCSXSD960GS1XEV-D	960GB 2.5in Enter Value 12G SAS Seagate SSD	SAS	12G	960GB
UCSX-SD19TK1XEV-D	1.9TB 2.5in Enter Value 12G SAS Kioxia G1 SSD	SAS	12G	1.9TB
UCSX-SD19TS1XEV-D	1.9TB 2.5v Enter Value 12G SAS Seagate SSD	SAS	12G	1.9TB
UCSX-SD38TK1XEV-D	3.8TB 2.5in Enter Value 12G SAS Kioxia G1 SSD	SAS	12G	3.8TB
UCSX-SD38TS1XEV-D	3.8TB 2.5in Enter Value 12G SAS Seagate SSD	SAS	12G	3.8TB
UCSX-SD76TK1XEV-D	7.6TB 2.5in Enter Value 12G SAS Kioxia G1 SSD	SAS	12G	7.6TB
UCSX-SD15TK1XEV-D	15.3TB 2.5in Enter Value 12G SAS Kioxia G1 SSD	SAS	12G	15.3TB
<b>NVMe<sup>4,5</sup></b>				
UCSX-NVME4-15360D	15.3TB 2.5in U.2 P5520 NVMe High Perf Medium Endurance	NVMe	U.2	15.3TB
UCSX-NVME4-1600-D	1.6TB 2.5in U.2 P5620 NVMe High Perf High Endurance	NVMe	U.2	1.6TB
UCSX-NVME4-1920-D	1.9TB 2.5in U.2 P5520 NVMe High Perf Medium Endurance	NVMe	U.2	1.9TB
UCSX-NVME4-3200-D	3.2TB 2.5in U.2 P5620 NVMe High Perf High Endurance	NVMe	U.2	3.2TB
UCSX-NVME4-3840-D	3.8TB 2.5in U.2 P5520 NVMe High Perf Medium Endurance	NVMe	U.2	3.8TB
UCSX-NVME4-6400-D	6.4TB 2.5in U.2 P5620 NVMe High Perf High Endurance	NVMe	U.2	6.4TB
UCSX-NVME4-7680-D	7.6TB 2.5in U.2 P5520 NVMe High Perf Medium Endurance	NVMe	U.2	7.6TB
UCSX-NVMEXPI400-D	400GB 2.5in U.2 Intel P5800X Optane NVMe Extreme Perform SSD	NVMe	U.2	400GB
UCSX-NVMEXPI800-D	800GB 2.5in U.2 Intel P5800X Optane NVMe Extreme Perform SSD	NVMe	U.2	800GB
<b>NOTE:</b> Cisco uses solid state drives from several vendors. All solid state drives are subject to physical write limits and have varying maximum usage limitation specifications set by the manufacturer. Cisco will not replace any solid state drives that have exceeded any maximum usage specifications set by Cisco or the manufacturer, as determined solely by Cisco.				

### Notes:

1. SSD drives require the **UCSX-X10C-RAIDF-D** front mezzanine adapter
2. For SSD drives to be in a RAID group, two identical SSDs must be used in the group.
3. If SSDs are in JBOD Mode, the drives do not need to be identical.
4. NVMe drives require a front mezzanine the **UCSX-X10C-PT4F-D** pass through controller or **UCSX-X10C-RAIDF-D** RAID controller.
5. A maximum of 4x NVMe drives can be ordered with RAID controller.

## STEP 10 ORDER M.2 SATA SSDs AND RAID CONTROLLER

- **Cisco 6GB/s SATA Boot-Optimized M.2 RAID Controller (included):** Boot-Optimized RAID controller (UCSX-M2-HWRD-FPS) for hardware RAID across two SATA M.2 storage modules. The Boot-Optimized RAID controller plugs into the motherboard and the M.2 SATA drives plug into the Boot-Optimized RAID controller.



### NOTE:

- The UCSX-M2-HWRD-FPS is auto included with the server configuration
- The UCSX-M2-HWRD-FPS controller supports RAID 1 and JBOD mode and is available only with 240GB and 960GB M.2 SATA SSDs.
- Cisco IMM is supported for configuring of volumes and monitoring of the controller and installed SATA M.2 drives
- Hot-plug replacement is not supported. The compute node must be powered off to replace.
- The Boot-Optimized RAID controller supports VMware, Windows, and Linux Operating Systems

Table 17 Boot-Optimized RAID controller (auto included)

Product ID (PID)	PID Description
UCSX-M2-HWRD-FPS	UCSX Front panel with M.2 RAID controller for SATA drives

- **Select Cisco M.2 SATA SSDs:** Order one or two matching M.2 SATA SSDs. This connector accepts the boot-optimized RAID controller (see [Table 17](#)). Each boot-optimized RAID controller can accommodate up to two SATA M.2 SSDs shown in [Table 18](#).



### NOTE:

- Each boot-optimized RAID controller can accommodate up to two SATA M.2 SSDs shown in [Table 18](#). The boot-optimized RAID controller plugs into the motherboard.
- It is recommended that M.2 SATA SSDs be used as boot-only devices.
- The SATA M.2 drives can boot in UEFI mode only. Legacy boot mode is not supported.

Table 18 M.2 SATA SSDs

Product ID (PID)	PID Description
UCS-M2-240GB-D	240GB M.2 SATA SSD
UCS-M2-960GB-D	960GB M.2 SATA SSD

## STEP 11 CHOOSE OPTIONAL TRUSTED PLATFORM MODULE

Trusted Platform Module (TPM) is a computer chip or microcontroller that can securely store artifacts used to authenticate the platform or Cisco UCS X410c M7 Compute Node. These artifacts can include passwords, certificates, or encryption keys. A TPM can also be used to store platform measurements that help ensure that the platform remains trustworthy. Authentication (ensuring that the platform can prove that it is what it claims to be) and attestation (a process helping to prove that a platform is trustworthy and has not been breached) are necessary steps to ensure safer computing in all environments.

**Table 19 Available TPM Option**

Product ID (PID)	Description
UCSX-TPM-002C-D	Trusted Platform Module 2.0, FIPS140-2 Compliant, UCS M7 server
UCSX-TPM-OPT-OUT <sup>1</sup>	OPT OUT, TPM 2.0, TCG, FIPS140-2, CC EAL4+ Certified

**Notes:**

1. Please note Microsoft certification requires a TPM 2.0 for bare-metal or guest VM deployments. Opt-out of the TPM 2.0 voids the Microsoft certification.



**NOTE:**

- The TPM module used in this system conforms to TPM v2.0 as defined by the Trusted Computing Group (TCG).
- TPM installation is supported after-factory. However, a TPM installs with a one-way screw and cannot be replaced, upgraded, or moved to another compute node. If a Cisco UCS X410c M7 Compute Node with a TPM is returned, the replacement Cisco UCS X410c M7 Compute Node must be ordered with a new TPM. If there is no existing TPM in the Cisco UCS X410c M7 Compute Node, you can install a TPM 2.0. Refer to the following document for Installation location and instructions:

[https://www.cisco.com/content/en/us/td/docs/unified\\_computing/ucs/x/hw/x410c-m7/install/b-cisco-ucs-x410c-m7-install-guide.html](https://www.cisco.com/content/en/us/td/docs/unified_computing/ucs/x/hw/x410c-m7/install/b-cisco-ucs-x410c-m7-install-guide.html)

## STEP 12 CHOOSE OPERATING SYSTEM AND VALUE-ADDED SOFTWARE

- Cisco Software ([Table 20](#))
- Operating System ([Table 21](#))



**NOTE:** See this link for operating system guidance:  
<https://ucshcltool.cloudapps.cisco.com/public/>

Table 20 OEM Software

Product ID (PID)	PID Description
<b>VMware vCenter</b>	
VMW-VCS-STD-D1A	VMware vCenter 7 Server Standard, 1 yr support required
VMW-VCS-STD-D3A	VMware vCenter 7 Server Standard, 3 yr support required
VMW-VCS-STD-D5A	VMware vCenter 7 Server Standard, 5 yr support required
VMW-VCS-FND-D1A	VMware vCenter Server 7 Foundation (4 Host), 1 yr supp reqd
VMW-VCS-FND-D3A	VMware vCenter Server 7 Foundation (4 Host), 3 yr supp reqd
VMW-VCS-FND-D5A	VMware vCenter Server 7 Foundation (4 Host), 5 yr supp reqd

Table 21 Operating System

Product ID (PID)	PID Description
<b>Microsoft Windows Server</b>	
MSWS-22-ST16CD	Windows Server 2022 Standard (16 Cores/2 VMs)
MSWS-22-ST16CD-NS	Windows Server 2022 Standard (16 Cores/2 VMs) - No Cisco SVC
MSWS-22-DC16CD	Windows Server 2022 Data Center (16 Cores/Unlimited VMs)
MSWS-22-DC16CD-NS	Windows Server 2022 DC (16 Cores/Unlim VMs) - No Cisco SVC
MSWS-19-ST16CD	Windows Server 2019 Standard (16 Cores/2 VMs)
MSWS-19-ST16CD-NS	Windows Server 2019 Standard (16 Cores/2 VMs) - No Cisco SVC
MSWS-19-DC16CD	Windows Server 2019 Data Center (16 Cores/Unlimited VMs)
MSWS-19-DC16CD-NS	Windows Server 2019 DC (16 Cores/Unlim VMs) - No Cisco SVC
<b>Red Hat</b>	
RHEL-2S2V-D1A	Red Hat Enterprise Linux (1-2 CPU,1-2 VN); 1-Yr Support Req
RHEL-2S2V-D3A	Red Hat Enterprise Linux (1-2 CPU,1-2 VN); 3-Yr Support Req

Table 21 Operating System (continued)

Product ID (PID)	PID Description
RHEL-2S2V-D5A	Red Hat Enterprise Linux (1-2 CPU,1-2 VN); 5-Yr Support Req
RHEL-VDC-2SUV-D1A	RHEL for Virt Datacenters (1-2 CPU, Unlim VN) 1 Yr Supp Req
RHEL-VDC-2SUV-D3A	RHEL for Virt Datacenters (1-2 CPU, Unlim VN) 3 Yr Supp Req
RHEL-VDC-2SUV-D5A	RHEL for Virt Datacenters (1-2 CPU, Unlim VN) 5 Yr Supp Req
<b>Red Hat Ent Linux/ High Avail/ Res Strg/ Scal</b>	
RHEL-2S2V-D1S	Red Hat Enterprise Linux (1-2 CPU,1-2 VN); Prem 1Yr SnS Reqd
RHEL-2S2V-D3S	Red Hat Enterprise Linux (1-2 CPU,1-2 VN); Prem 3Yr SnS Reqd
RHEL-2S-HA-D1S	RHEL High Availability (1-2 CPU); Premium 1-yr SnS Reqd
RHEL-2S-HA-D3S	RHEL High Availability (1-2 CPU); Premium 3-yr SnS Reqd
RHEL-2S-RS-D1S	RHEL Resilent Storage (1-2 CPU); Premium 1-yr SnS Reqd
RHEL-2S-RS-D3S	RHEL Resilent Storage (1-2 CPU); Premium 3-yr SnS Reqd
RHEL-VDC-2SUV-D1S	RHEL for Virt Datacenters (1-2 CPU, Unlim VN) 1 Yr SnS Reqd
RHEL-VDC-2SUV-D3S	RHEL for Virt Datacenters (1-2 CPU, Unlim VN) 3 Yr SnS Reqd
<b>Red Hat SAP</b>	
RHEL-SAP-2S2V-D1S	RHEL for SAP Apps (1-2 CPU, 1-2 VN); Prem 1-Yr SnS Reqd
RHEL-SAP-2S2V-D3S	RHEL for SAP Apps (1-2 CPU, 1-2 VN); Prem 3-Yr SnS Reqd
RHEL-SAPSP-D3S	RHEL SAP Solutions Premium - 3 Years
RHEL-SAPSS-D3S	RHEL SAP Solutions Standard - 3 Years
<b>VMware</b>	
VMW-VSP-STD-D1A	VMware vSphere 7 Std (1 CPU, 32 Core) 1-yr, Support Required
VMW-VSP-STD-D3A	VMware vSphere 7 Std (1 CPU, 32 Core) 3-yr, Support Required
VMW-VSP-STD-D5A	VMware vSphere 7 Std (1 CPU, 32 Core) 5-yr, Support Required
VMW-VSP-EPL-D1A	VMware vSphere 7 Ent Plus (1 CPU, 32 Core) 1Yr, Support Reqd
VMW-VSP-EPL-D3A	VMware vSphere 7 Ent Plus (1 CPU, 32 Core) 3Yr, Support Reqd
VMW-VSP-EPL-D5A	VMware vSphere 7 Ent Plus (1 CPU, 32 Core) 5Yr, Support Reqd
<b>SUSE</b>	
SLES-2S2V-D1A	SUSE Linux Enterprise Svr (1-2 CPU,1-2 VM); 1-Yr Support Req
SLES-2S2V-D3A	SUSE Linux Enterprise Svr (1-2 CPU,1-2 VM); 3-Yr Support Req
SLES-2S2V-D5A	SUSE Linux Enterprise Svr (1-2 CPU,1-2 VM); 5-Yr Support Req



Table 21 Operating System (*continued*)

Product ID (PID)	PID Description
SLES-2SUVM-D1A	SUSE Linux Enterprise Svr (1-2 CPU,Unl VM) LP; 1Y Supp Req
SLES-2SUVM-D3A	SUSE Linux Enterprise Svr (1-2 CPU,Unl VM) LP; 3Y Supp Req
SLES-2SUVM-D5A	SUSE Linux Enterprise Svr (1-2 CPU,Unl VM) LP; 5Y Supp Req
SLES-2S-LP-D1A	SUSE Linux Live Patching Add-on (1-2 CPU); 1yr Support Req
SLES-2S-LP-D3A	SUSE Linux Live Patching Add-on (1-2 CPU); 3yr Support Req
SLES-2S2V-D1S	SUSE Linux Enterprise Svr (1-2 CPU,1-2 VM); Prio 1-Yr SnS
SLES-2S2V-D3S	SUSE Linux Enterprise Svr (1-2 CPU,1-2 VM); Prio 3-Yr SnS
SLES-2S2V-D5S	SUSE Linux Enterprise Svr (1-2 CPU,1-2 VM); Prio 5-Yr SnS
SLES-2SUVM-D1S	SUSE Linux Enterprise Svr (1-2 CPU,Unl VM) LP; Prio 1Y SnS
SLES-2SUVM-D3S	SUSE Linux Enterprise Svr (1-2 CPU,Unl VM) LP; Prio 3Y SnS
SLES-2SUVM-D5S	SUSE Linux Enterprise Svr (1-2 CPU,Unl VM) LP; Prio 5Y SnS
SLES-2S-HA-D1S	SUSE Linux High Availability Ext (1-2 CPU); 1yr SnS
SLES-2S-HA-D3S	SUSE Linux High Availability Ext (1-2 CPU); 3yr SnS
SLES-2S-HA-D5S	SUSE Linux High Availability Ext (1-2 CPU); 5yr SnS
SLES-2S-GC-D1S	SUSE Linux GEO Clustering for HA (1-2 CPU); 1yr Sns
SLES-2S-GC-D3S	SUSE Linux GEO Clustering for HA (1-2 CPU); 3yr SnS
SLES-2S-GC-D5S	SUSE Linux GEO Clustering for HA (1-2 CPU); 5yr SnS
SLES-2S-LP-D1S	SUSE Linux Live Patching Add-on (1-2 CPU); 1yr SnS Required
SLES-2S-LP-D3S	SUSE Linux Live Patching Add-on (1-2 CPU); 3yr SnS Required
<b>SLES and SAP</b>	
SLES-SAP-2S2V-D1S	SLES for SAP Apps (1-2 CPU, 1-2 VM); Priority 1-Yr SnS
SLES-SAP-2S2V-D3S	SLES for SAP Apps (1-2 CPU, 1-2 VM); Priority 3-Yr SnS
SLES-SAP-2S2V-D5S	SLES for SAP Apps (1-2 CPU, 1-2 VM); Priority 5-Yr SnS
SLES-SAP-2S2V-D1A	SLES for SAP Apps w/ HA (1-2 CPU, 1-2 VM); 1-Yr Support Reqd
SLES-SAP-2S2V-D3A	SLES for SAP Apps w/ HA (1-2 CPU, 1-2 VM); 3-Yr Support Reqd
SLES-SAP-2S2V-D5A	SLES for SAP Apps w/ HA (1-2 CPU, 1-2 VM); 5-Yr Support Reqd

## STEP 13 CHOOSE OPTIONAL OPERATING SYSTEM MEDIA KIT

Select the optional operating system media listed in [Table 22](#).

Table 22 OS Media

Product ID (PID)	PID Description
MSWS-19-ST16CD-RM	Windows Server 2019 Stan (16 Cores/2 VMs) Rec Media DVD Only
MSWS-19-DC16CD-RM	Windows Server 2019 DC (16Cores/Unlim VM) Rec Media DVD Only
MSWS-22-ST16CD-RM	Windows Server 2022 Stan (16 Cores/2 VMs) Rec Media DVD Only
MSWS-22-DC16CD-RM	Windows Server 2022 DC (16Cores/Unlim VM) Rec Media DVD Only

# SUPPLEMENTAL MATERIAL

## Simplified Block Diagram

A simplified block diagram of the Cisco UCS X410c M7 Compute Node system board is shown in [Figure 6](#).

Figure 6 Cisco UCS X410c M7 Compute Node Simplified Block Diagram (IFMs 25G with Drives)

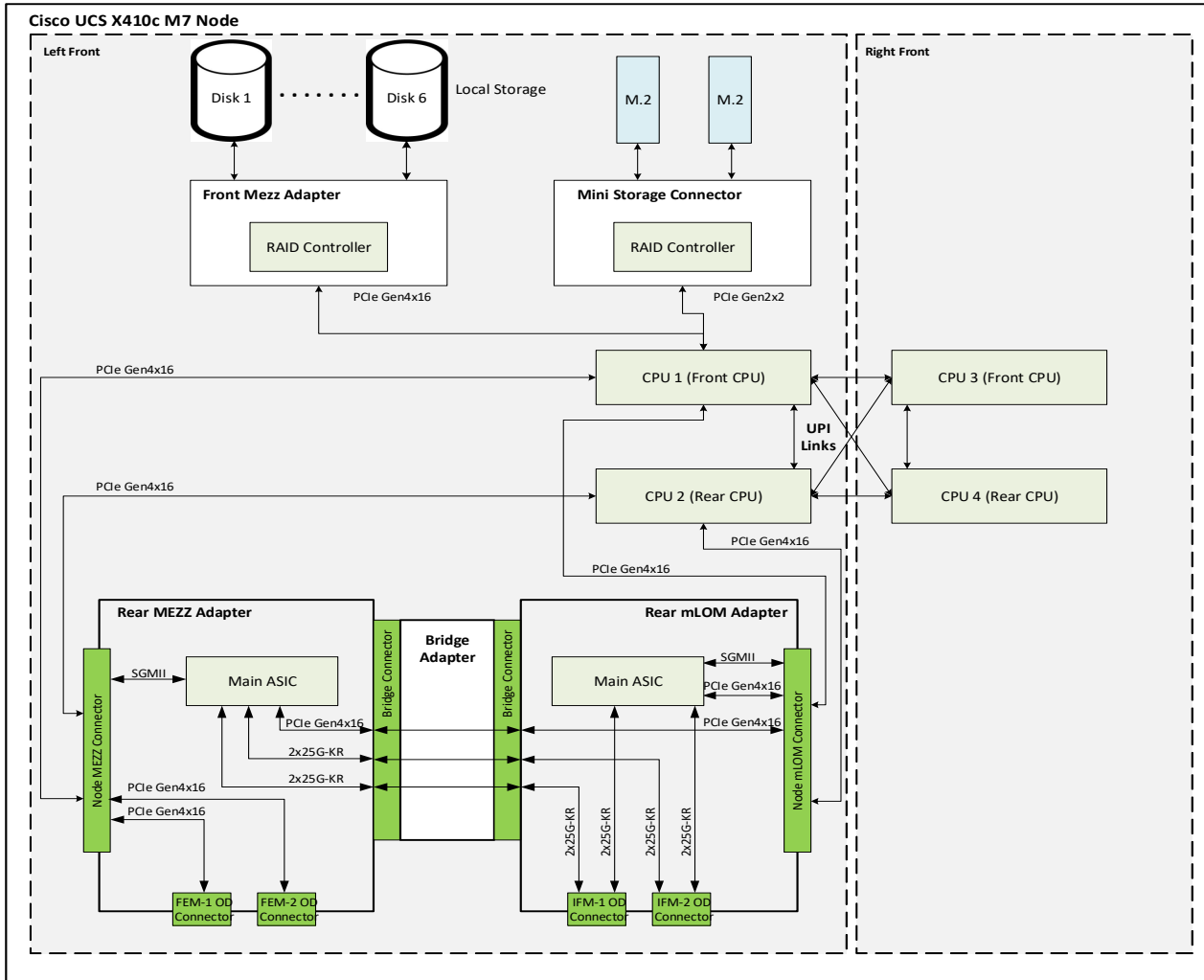
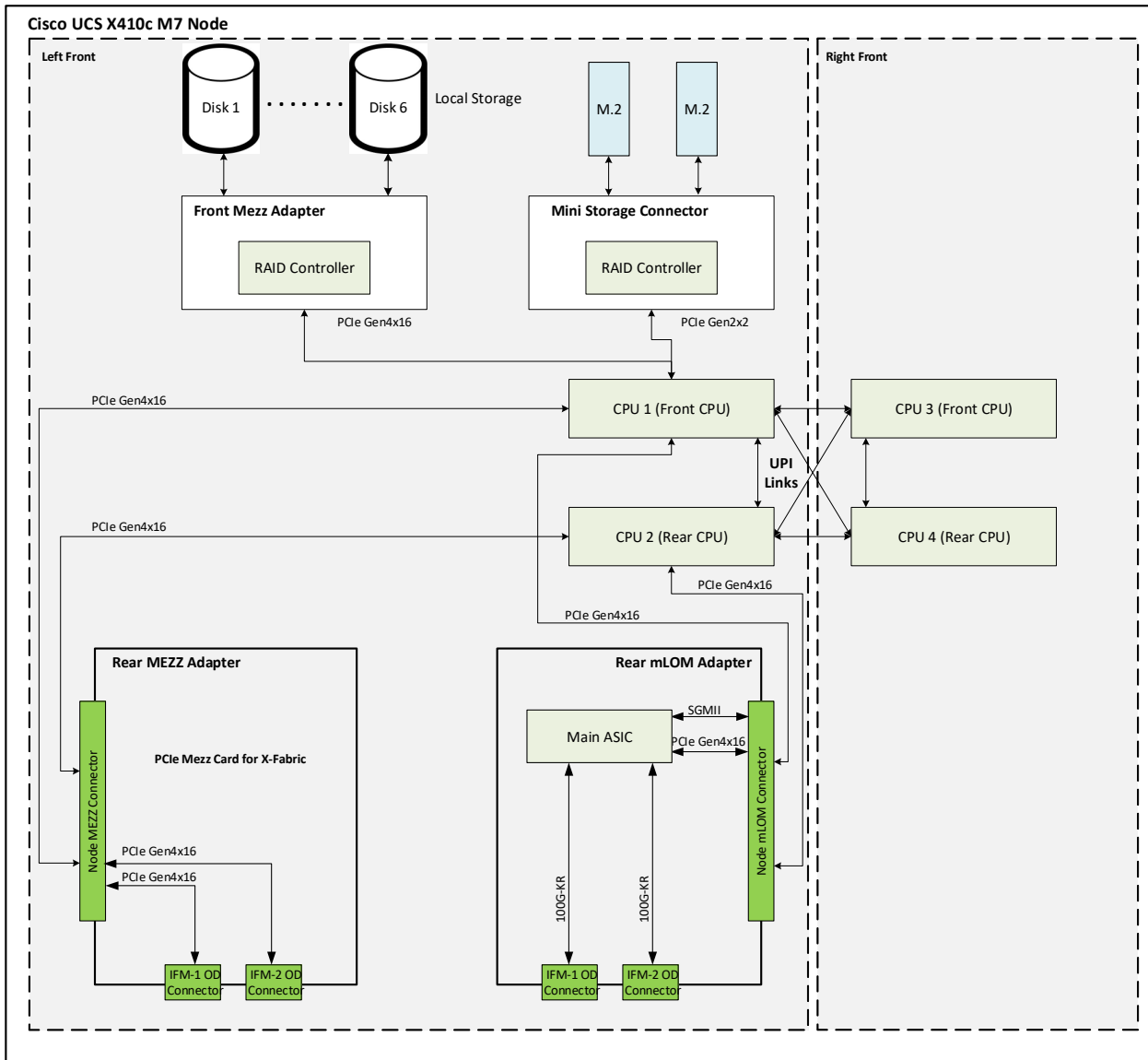


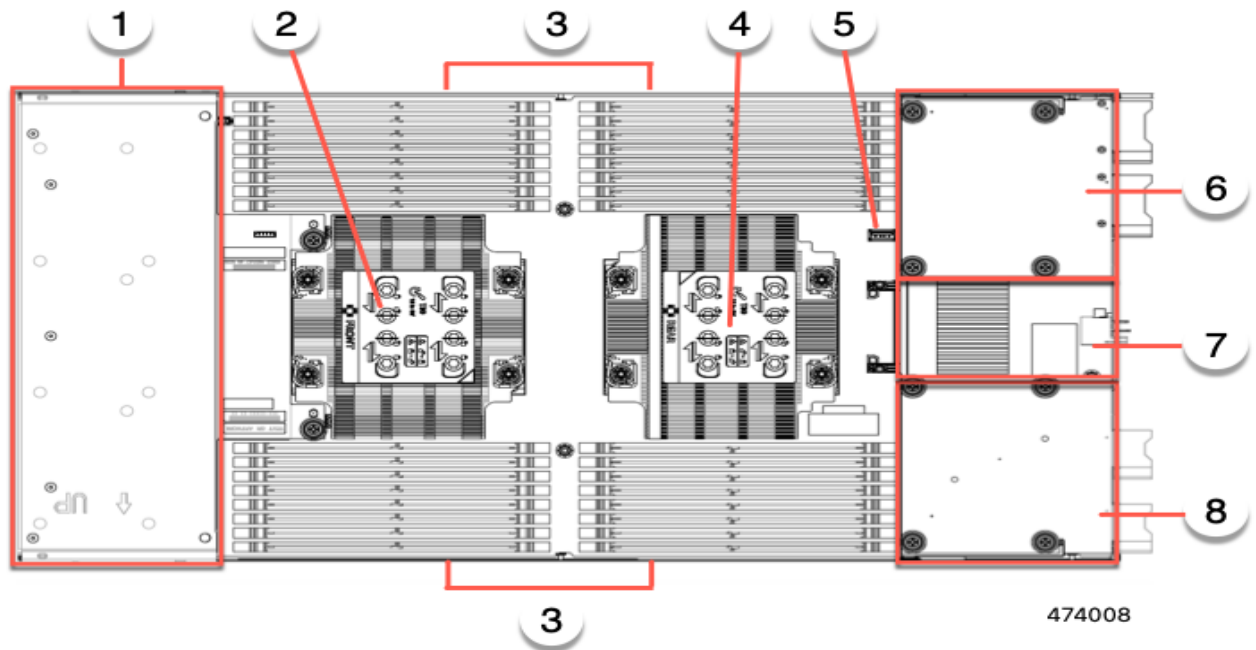
Figure 7 Cisco UCS X410c M7 Compute Node Simplified Block Diagram (IFMs 100G with Drives)



## System Board

A top view of the Cisco UCS X410c M7 Compute Node system board is shown in [Figure 8](#).

Figure 8 Cisco UCS X410c M7 Compute Node System Board



1	Front mezzanine module slot	5	Motherboard USB connector
2	CPU 1 slot	6	Rear mezzanine slot, which supports X-Series mezzanine cards, such as VIC 15422.
3	DIMM slots	7	Bridge Card slot, which connects 8 rear mezzanine slot and the mLOM/VIC slot
4	CPU 2 slot	8	mLOM/VIC slot that supports zero or one Cisco VIC or Cisco X-Series 100 Gbps mLOM

Please refer to the [Cisco UCS X410c M7 Compute Node Installation Guide](#) for installation procedures.

## UPGRADING or REPLACING CPUs



**NOTE:** Before servicing any CPU, do the following:

- Decommission and power off the compute node.
- Slide the Cisco UCS X410c M7 Compute Node out from its chassis.
- Remove the top cover.

To replace an existing CPU, follow these steps:

(1) Have the following tools and materials available for the procedure:

- T-30 Torx driver—Supplied with replacement CPU.
- #1 flat-head screwdriver—Supplied with replacement CPU.
- CPU assembly tool—Supplied with replacement CPU. Can be ordered separately as Cisco PID UCSX-CPUAT=.
- Heatsink cleaning kit—Supplied with replacement CPU. Can be ordered separately as Cisco PID UCSX-HSCK=.
- Thermal interface material (TIM)—Syringe supplied with replacement CPU. Can be ordered separately as Cisco PID UCSX-CPU-TIM=.

(2) Order the appropriate replacement CPU from [Available CPUs on page 11](#).

Carefully remove and replace the CPU and heatsink in accordance with the instructions found in “Cisco UCS X410c M7 Compute Node Installation and Service Note,” found at: [https://www.cisco.com/content/en/us/td/docs/unified\\_computing/ucs/x/hw/x410c-m7/install/b-cisco-ucs-x410c-m7-install-guide.html](https://www.cisco.com/content/en/us/td/docs/unified_computing/ucs/x/hw/x410c-m7/install/b-cisco-ucs-x410c-m7-install-guide.html)

(3) .

To add a new CPU, follow these steps:

(1) Have the following tools and materials available for the procedure:

- T-30 Torx driver—Supplied with new CPU.
- #1 flat-head screwdriver—Supplied with new CPU
- CPU assembly tool—Supplied with new CPU. Can be ordered separately as Cisco PID UCSX-CPUAT=
- Thermal interface material (TIM)—Syringe supplied with replacement CPU. Can be ordered separately as Cisco PID UCSX-CPU-TIM=

(2) Order the appropriate new CPU from [Table 4 on page 11](#).

(3) Order one heat sink for each new CPU. Order PID UCSX-C-M7-HS-F= for the front CPU socket and PID UCSX-C-M6-HS-R= for the rear CPU socket.

Carefully install the CPU and heatsink in accordance with the instructions found in “Cisco UCS X410c M7 Compute Node Installation and Service Note,” found at: [https://www.cisco.com/content/en/us/td/docs/unified\\_computing/ucs/x/hw/x410c-m7/install/b-cisco-ucs-x410c-m7-install-guide.html](https://www.cisco.com/content/en/us/td/docs/unified_computing/ucs/x/hw/x410c-m7/install/b-cisco-ucs-x410c-m7-install-guide.html)

## UPGRADING or REPLACING MEMORY



**NOTE:** Before servicing any DIMM or PMem, do the following:

- Decommission and power off the compute node.
- Slide the Cisco UCS X410c M7 Compute Node out from its chassis.
- Remove the top cover.

To add or replace DIMMs or PMem, follow these steps:

To add or replace DIMMs or PMem, follow these steps:

Step 1 Open both DIMM connector latches.

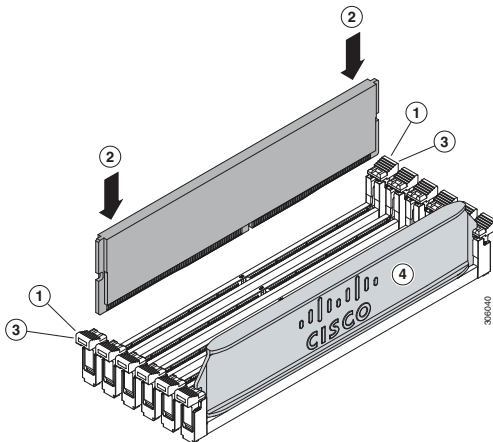
Step 2 Press evenly on both ends of the DIMM until it clicks into place in its slot

Note: Ensure that the notch in the DIMM aligns with the slot. If the notch is misaligned, it is possible to damage the DIMM, the slot, or both.

Step 3 Press the DIMM connector latches inward slightly to seat them fully.

Step 4 Populate all slots with a DIMM or DIMM blank. A slot cannot be empty.

**Figure 9** Replacing Memory



For additional details on replacing or upgrading DIMMs, see “Cisco UCS X410c M7 Compute Node Installation and Service Note,” found at [https://www.cisco.com/content/en/us/td/docs/unified\\_computing/ucs/x/hw/x410c-m7/install/b-cisco-ucs-x410c-m7-install-guide.html](https://www.cisco.com/content/en/us/td/docs/unified_computing/ucs/x/hw/x410c-m7/install/b-cisco-ucs-x410c-m7-install-guide.html)

# TECHNICAL SPECIFICATIONS

## Dimensions and Weight

Table 23 Cisco UCS X410c M7 Compute Node Dimensions and Weight

Parameter	Value
Height	3.67 inches (93.22 mm)
Width	11.28 inches (286.52 mm)
Depth	23.8 inches (604.52 mm)
Weight	The weight depends on the components installed: <ul style="list-style-type: none"> <li>■ Minimally configured compute node weight: 25 lb (11.34 kg)</li> <li>■ Fully configured compute node weight: 42 lb (19.05 kg)</li> </ul>

## Environmental Specifications

Table 24 Cisco UCS X410c M7 Compute Node Environmental Specifications

Parameter	Value
Operating temperature	Supported operating temperatures depend on the compute node's memory: <ul style="list-style-type: none"> <li>■ For 256GB DDR5 DIMMs: 50° to 89.6° F (10° to 32° C) at 0 to 10,000</li> <li>■ All other memory configurations: 50° to 95° F (10° to 35° C) at 0 to 10,000</li> </ul>
Non-operating temperature	-40° to 149° F (-40° to 65° C)
Operating humidity	5% to 90% noncondensing
Non-operating humidity	5% to 93% noncondensing
Operating altitude	0 to 10,000 ft (0 to 3000m); maximum ambient temperature decreases by 1° C per 300m
Non-operating altitude	40,000 ft (12,000m)

For configuration-specific power specifications, use the Cisco UCS Power Calculator at:

<http://ucspowercalc.cisco.com>





---

**Americas Headquarters**  
Cisco Systems, Inc.  
San Jose, CA

**Asia Pacific Headquarters**  
Cisco Systems (USA) Pte. Ltd.  
Singapore

**Europe Headquarters**  
Cisco Systems International BV Amsterdam,  
The Netherlands

---

Cisco has more than 200 offices worldwide. Addresses, phone numbers, and fax numbers are listed on the Cisco Website at [www.cisco.com/go/offices](http://www.cisco.com/go/offices).

Cisco and the Cisco Logo are trademarks of Cisco Systems, Inc. and/or its affiliates in the U.S. and other countries. A listing of Cisco's trademarks can be found at [www.cisco.com/go/trademarks](http://www.cisco.com/go/trademarks). Third party trademarks mentioned are the property of their respective owners. The use of the word partner does not imply a partnership relationship between Cisco and any other company. (1005R)

