

---

## MG41E and MG51E Cellular Dipole Antenna Datasheet



Note - Do not mix MG21E, MG41 and MG51E dipole antennas

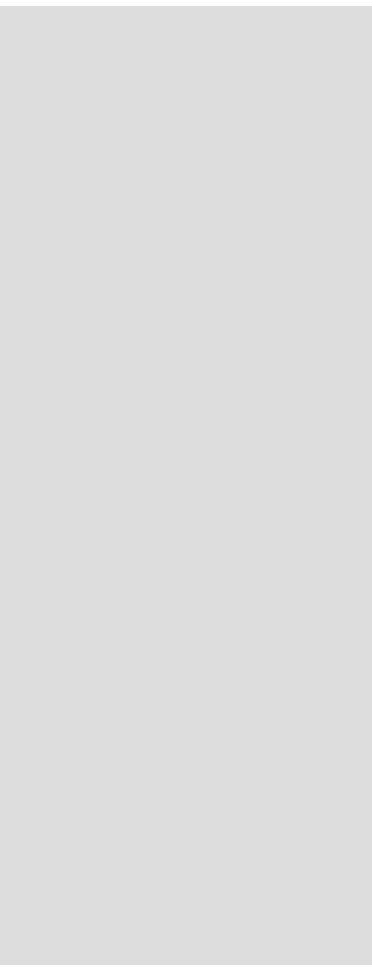
The dipole antennas (MA-ANT-C2-A) are included with the MG41E and MG51E. When in use the dipoles have a spherical coverage in comparison to a patch antenna. The dipole antennas will excel at allowing users to place the MG in areas where a directional patch antenna cannot be mounted. The dipoles are directly attached to the MG41E/MG51E and require no additional mounting hardware.



---

## Specifications

Category	Specifications
Electrical	Antenna Type



Dipole

**Frequency Range**

- 692 (617 - 692) MHz
- 960 (698 - 960) MHz
- 1515 (1445 - 1515) MHz
- 2700 (1710 - 2700) MHz
- 5000 (3300 - 5000) MHz
- 6000 (5150 - 6000) MHz

**Peak Gain (per range)**

- 692 @ 0.26dBi
- 960 @ 0.67dBi
- 1515 @ 2.03dBi
- 2700 @ 3.37dBi
- 5000 @ 3.91dBi
- 6000 @ 4.26dBi

**Polarization**

Linear, vertical



**Physical and Environmental**

**Dimensions**

144mm x 26.5mm x 12.3mm

**Material of Radiator**

PCB

**Material of Plastic**

PC

**Operational Temperature**

-40°C to +65°C (-40°F to 149°F)

**Storage Temperature**

-40°C to +80°C (-40°F to 176°F)

**Connector**

RP-SMA (female)



**Warranty**

1 year hardware warranty included

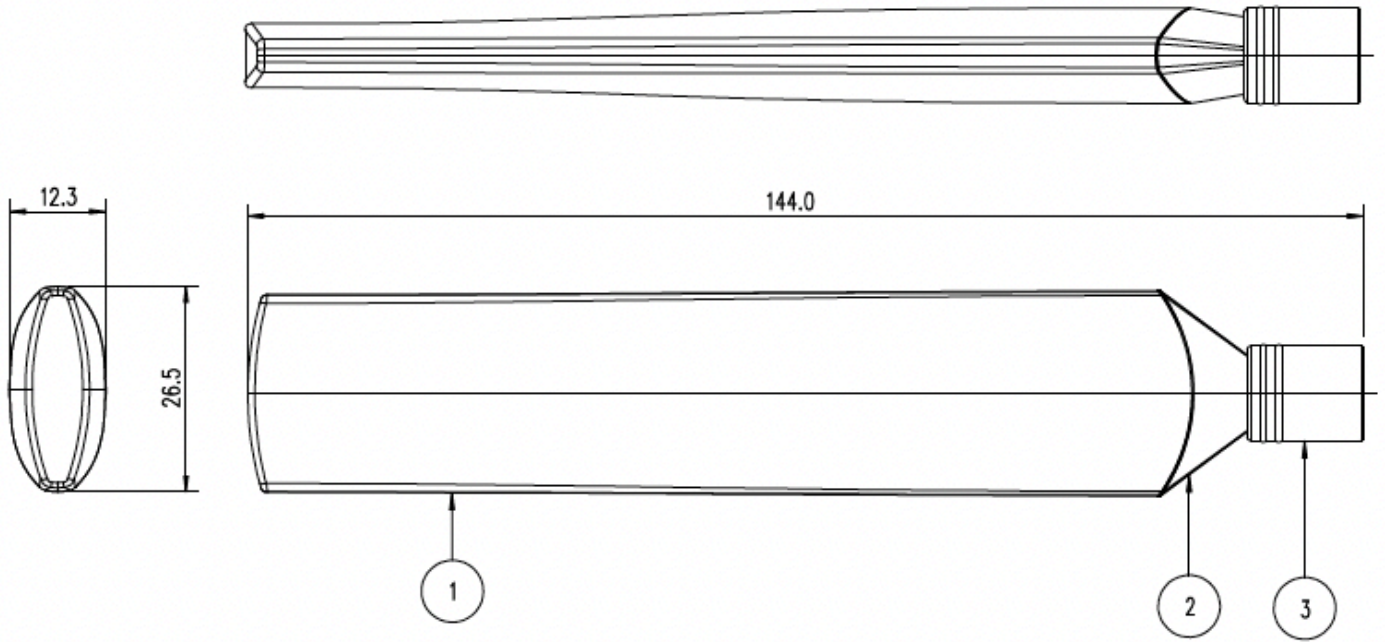
**Ordering Information**

MA-ANT-C2-A

**Regulatory**

**Certified for use with the MG41E and MG51E**

MA-ANT-C2-A



MA-ANT-C2-A

# Radiation pattern

