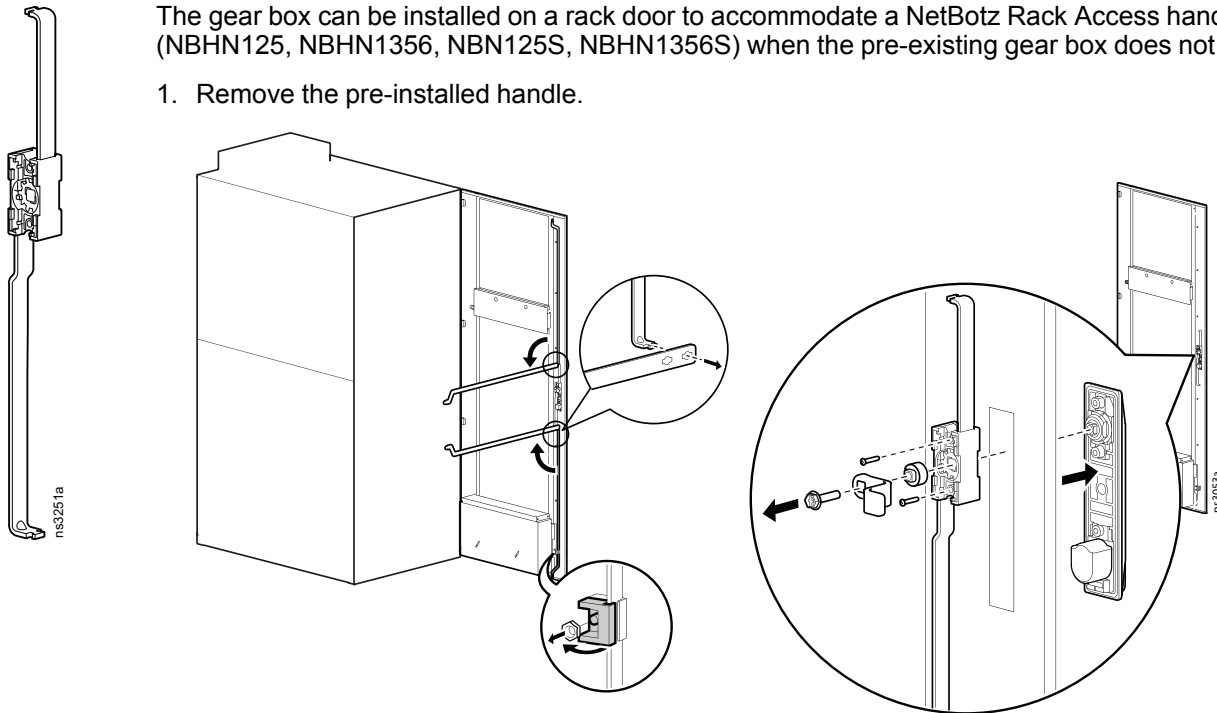


## Gear Box for NetBotz Rack Access Handles (NBHN340)

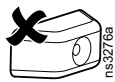
### Inventory Installation

The gear box can be installed on a rack door to accommodate a NetBotz Rack Access handle kit (NBHN125, NBHN1356, NBN125S, NBHN1356S) when the pre-existing gear box does not fit.

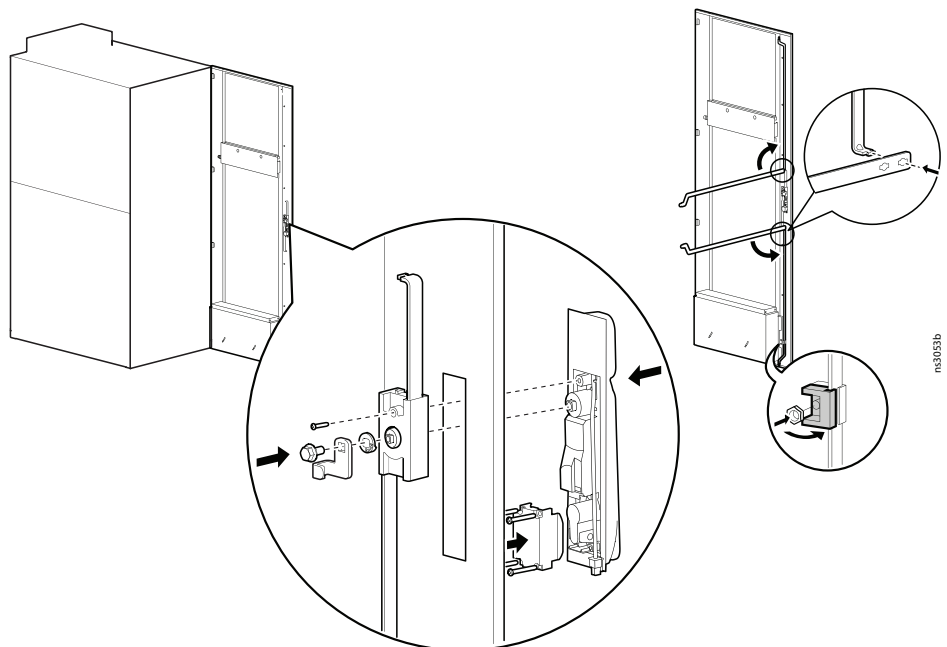
1. Remove the pre-installed handle.



2. Install the NetBotz Handle kit and gear box (NBHN4340).



The top mounting bracket is not needed.



3. Follow the instructions that come with your NetBotz handle kit and appliance to complete the installation.